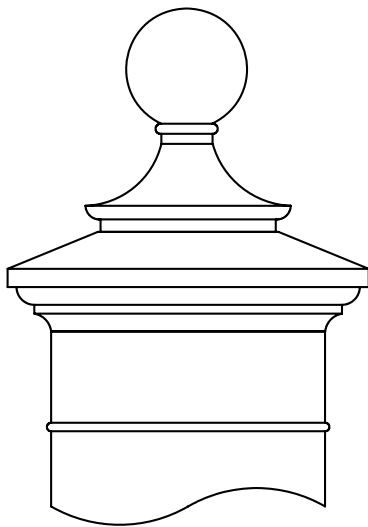
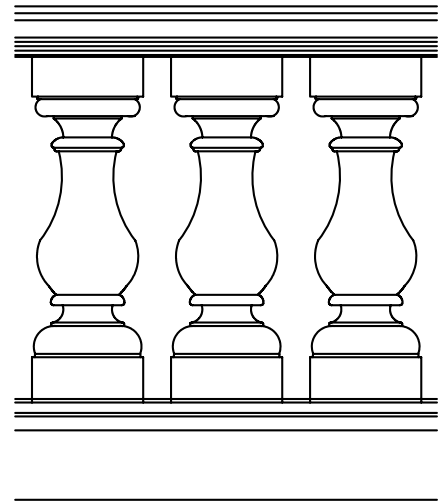


INTRODUCTION

OLDE WORLD CAST STONE WAS INTRODUCED IN 1991 TO PROVIDE ARCHITECTS, LANDSCAPE ARCHITECTS, BUILDERS, AND HOMEOWNERS WITH A STONework PRODUCT OF EXCEPTIONAL APPEARANCE AND LASTING QUALITY. A DRY TAMP PROCESS IS APPLIED TO A PRECISE MIXTURE OF SANDS AND STONES TO CREATE CAST STONE ELEMENTS OF HIGH COMPRESSIVE STRENGTH WITH A FINE-GRAINED SURFACE AND TEXTURE CLOSELY RESEMBLING QUARRIED AND CARVED STONE. THE MOLDING PROCESS REPLACES THE TIME-CONSUMING AND FORBIDDINGLY EXPENSIVE CARVING OF NATURAL STONE, AND PERMITS UNLIMITED DESIGN FLEXIBILITY, REINFORCEMENT, AND FAITHFUL REPRODUCTION OF DUPLICATE OR REPETITIVE ELEMENTS.



WITH METICULOUS ATTENTION TO QUALITY AND DETAIL, **OLDE WORLD CAST STONE** OFFERS A LINE OF CLASSICALLY-INSPIRED STANDARD PIECES IN A WIDE RANGE OF PROFESSIONALLY DESIGNED COLUMNS AND PIER CAPS, BALUSTER SYSTEMS, PAVERS, COPINGS, STEP TREADS, KEYS, QUOINS, FINIALS, AND PLANTERS. CUSTOM PIECES CREATED TO DESIGNER SPECIFICATIONS ARE READILY AVAILABLE AND NEW SELECTIONS ARE CONTINUALLY ADDED TO THE COLLECTION. STANDARD COLORS ARE BROWNSTONE, SAND, CLASSIC GRAY, LIMESTONE AND PORTLAND. FOR AN ADDITIONAL CHARGE, CUSTOM COLORS ARE AVAILABLE.

THE DISTINGUISHED CAST STONE PIECES PRESENTED BY, **OLDE WORLD CAST STONE** ADD VALUE AND PERMANENCE TO ANY BUILDING APPLICATION.



INFORMATION SHEET

PIECES ARE F.O.B. OUR LILBURN, GEORGIA PLANT. PRICES ARE SUBJECT TO CHANGE WITHOUT NOTICE.

TERMS ARE DEPOSIT PLUS C.O.D. OR NET 15 DAYS FOR PRE-APPROVED ACCOUNTS.

CUSTOM ORDERS REQUIRE A SET-UP OR TOOLING CHARGE. CUSTOMER SHALL PROVIDE DETAILED INFORMATION REGARDING; QUANTITY, DESIGN SPECIFICATIONS, COLOR AND FINISH SPECIFICATIONS. SHOP DRAWINGS CAN BE PROVIDED BY **OLDE WORLD CAST STONE** FOR A FEE RELATED TO WORK PERFORMED.

DELIVERY IN THE ATLANTA METRO AREA IS AVAILABLE FOR A SMALL DELIVERY FEE. OUTSIDE THE ATLANTA AREA, PRODUCT WILL BE SHIPPED VIA COMMON CARRIER, FREIGHT COLLECT. FREIGHT DAMAGE CLAIMS SHALL BE MADE DIRECTLY TO THE FREIGHT COMPANY.

OLDE WORLD CAST STONE PRODUCTS ARE NOT RETURNABLE. ASSISTANCE IS AVAILABLE TO ENSURE ORDERING ACCURACY.

OLDE WORLD CAST STONE PRODUCTS ARE GUARANTEED AGAINST DEFECTS RESULTING FROM MATERIAL OR FAULTY WORKMANSHIP.

OLDE WORLD CAST STONE IS NOT RESPONSIBLE FOR STRUCTURAL CALCULATIONS. CUSTOMERS SHALL COORDINATE STRUCTURAL DESIGN NEEDS WITH THEIR STRUCTURAL CONSULTANT PRIOR TO PLACING ORDER. CAST STONE IS NOT A STRUCTURAL PRODUCT.

OLDE WORLD CAST STONE ASSUMES NO RESPONSIBILITY FOR USE OF PRODUCTS OTHER THAN DESIGNED APPLICATIONS.

FINISH COLORS AVAILABLE AS STANDARD ARE; BROWNSTONE, SAND, CLASSIC GRAY, LIMESTONE AND PORTLAND.

DESIGNS AND INFORMATION INCLUDED IN THIS CATALOG SHALL NOT BE REPRODUCED IN ANY WAY WITHOUT THE EXPRESSED PERMISSION FROM

OLDE WORLD CAST STONE



4280 WAYSIDE COURT LILBURN, GA. 30047. (770)921-9788. FAX 921-9910

HELP SHEET

HOW TO USE THE CD CATALOG

1. TO OPEN THE CATALOG ON THE CD PROVIDED JUST INSERT IT INTO YOUR CD DRIVE.
2. AFTER A SHORT WAIT, YOUR FILE MANAGER SHOULD OPEN SHOWING ALL THE FOLDERS ON THE CD.
3. IF NOTHING HAPPENS, CLICK ON YOUR "START" BUTTON. THAN CLICK ON THE "RUN" BUTTON. TYPE IN THE DRIVE FOR YOUR CD PLAYER OR CLICK ON THE BROWSE BUTTON. THIS WILL OPEN UP THE CD AND LET YOU VIEW THE FOLDERS.
4. DOUBLE CLICK ON THE FOLDER FOR THE CATAGORY YOU WISH TO VIEW. THIS WILL OPEN UP THE DRAWING LIST FOR THAT CATAGORY.
5. DOUBLE CLICK ON THE DRAWING FILE YOU WISH TO VIEW. THIS WILL OPEN UP THAT CATALOG PAGE.
6. BECAUSE THESE ARE ALL "dwg." FILES THEY CAN BE CUT AND PASTED OR DRAG AND DROP INTO YOUR DRAWING FILES.
7. NOTE TO ARCHITECT: FOR CUSTOMER CONTACT PURPOSES, IF YOU INSERT ANY OF OUR CATALOG ITEMS INTO YOUR DRAWINGS PLEASE ALSO INSERT OUR COMPANY NAME AND ADDRESS OR COMPANY LOGO AND ADDRESS INTO EITHER YOUR SPECIFICATIONS OR YOUR DRAWING SHEETS. SEE BELOW FOR THESE ITEMS.

OLDE WORLD CAST STONE
4280 Wayside Court
Lilburn, Georgia 30047
(770) 921-9788
fax (770) 921-9910



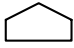
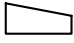
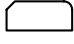

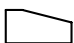
OLDE WORLD CAST STONE
4280 Wayside Court
Lilburn, Georgia 30047
(770) 921-9788
fax (770) 921-9910

ENJOY YOUR TOUR OF OLDE WORLD CAST STONE'S PRODUCT CATALOG.

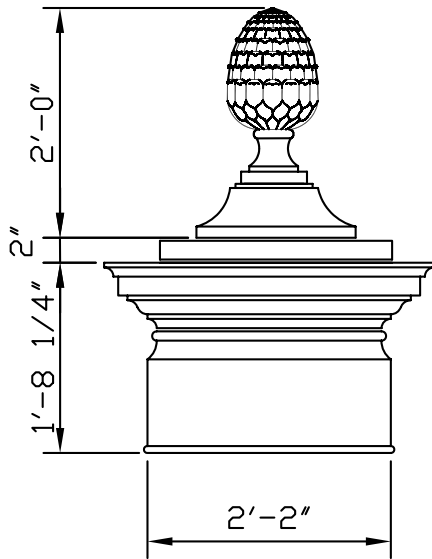


4280 WAYSIDE COURT LILBURN, GA. 30047. (770)921-9788. FAX 921-9910

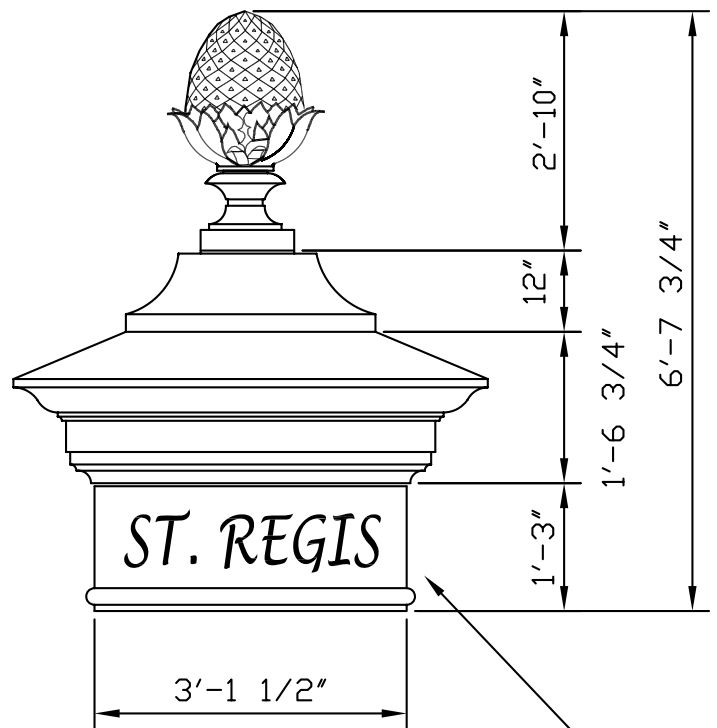
TABLE OF CONTENTS

<u>SECTION</u>	<u>CONTENTS</u>
1-0	FINIALS: PAGES 1-1 THRU 1-7
2-0	PIER CAPS: PAGES 2-1 THRU 2-29
3-0	WALL COPING:  - PAGES 3-0 THRU 3-14  - PAGES 3-15 THRU 3-21  - PAGES 3-22 THRU 3-24  - PAGES 3-25 THRU 3-29 MISC. - PAGES 3-30 THRU 3-35 WALL TRIM:  - PAGES 3-36 THRU 3-50 MISC. - PAGES 3-51 THRU 3-54 BULLNOSE - PAGES 3-55 THRU 3-59
4-0	CORNICES: PAGES 4-0 THRU 4-5
5-0	DOOR SURROUNDS: PAGES 5-1 THRU 5-22
6-0	WINDOW SURROUNDS: PAGES 6-1 THRU 6-20
7-0	WINDOW SILLS: LUGGED; PAGES 7-1 THRU 7-8 NON LUGGED; PAGES 7-9 THRU 7-12
8-0	LINTELS: PAGES 8-1 THRU 8-10
9-0	QUOINS: PAGES 9-1 THRU 9-6
10-0	KEYS: PAGES 10-1 THRU 10-18
11-0	WALL UNITS: PAGE 11-1
12-0	BRACKETS: PAGES 12-1 THRU 12-3
13-0	MEDALLIONS: PAGES 13-1 THRU 13-9
14-0	SIGNS: PAGES 14-1 THRU 14-14
15-0	PLANTERS: PAGES 15-1 THRU 15-6
16-0	FOUNTAINS: PAGE 16-1 THRU 16-12
17-0	COLUMNS: PAGES 17-1 THRU 17-6
18-0	PILASTERS: PAGES 18-1 THRU 18-11
19-0	BALUSTERS: PAGES 19-1 AND 19-7
20-0	FIREPLACE UNITS: PAGES 20-1 THRU 20-3
21-0	STEP TREADS: PAGES 21-1 THRU 21-9
22-0	FLOOR PAVERS: PAGE 22-1 AND 22-2
23-0	SPECS AND BULLETINS: PAGE 23-1 AND 23-31

FINIAL AND PIER CAP COMBINATIONS

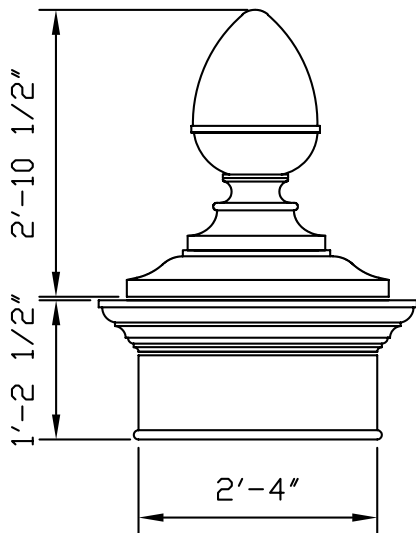


13" ARTICHOKE



23" PINEAPPLE

LETTERS, LOGO'S OR NUMBERS CAN BE ADDED FOR AN ADDITIONAL CHARGE.



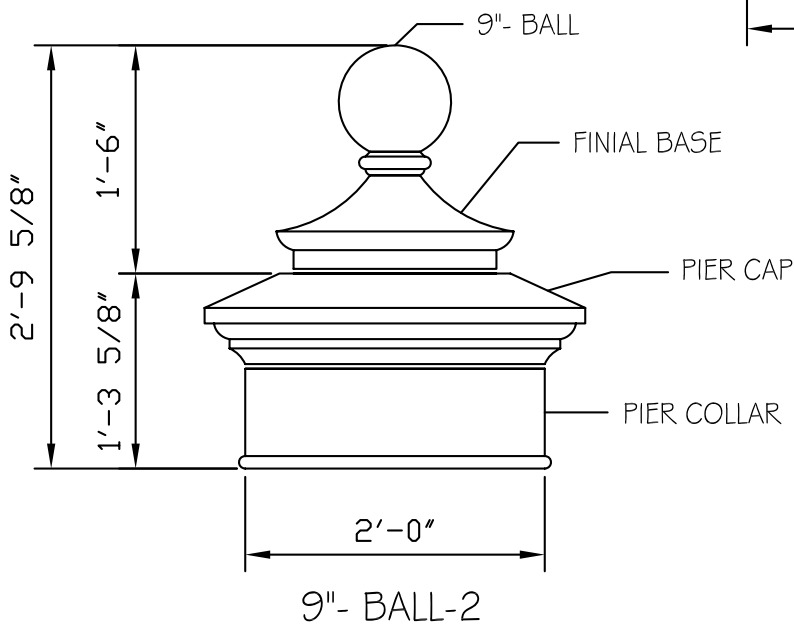
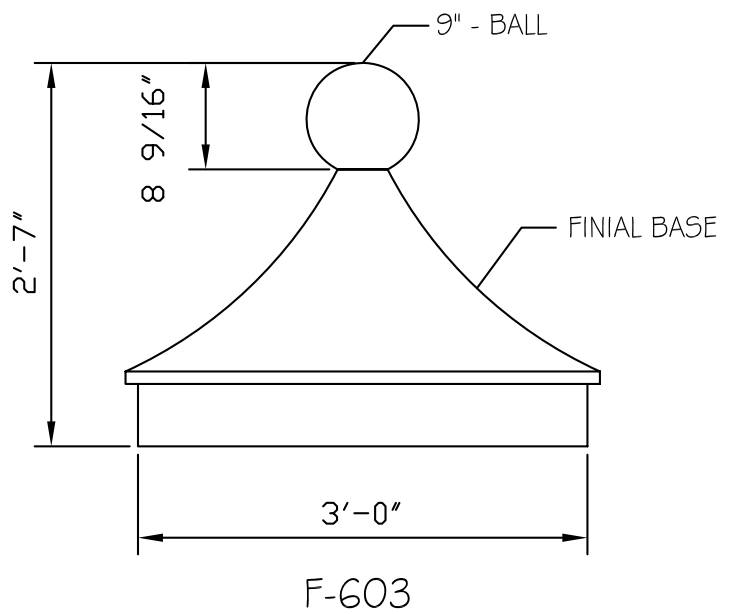
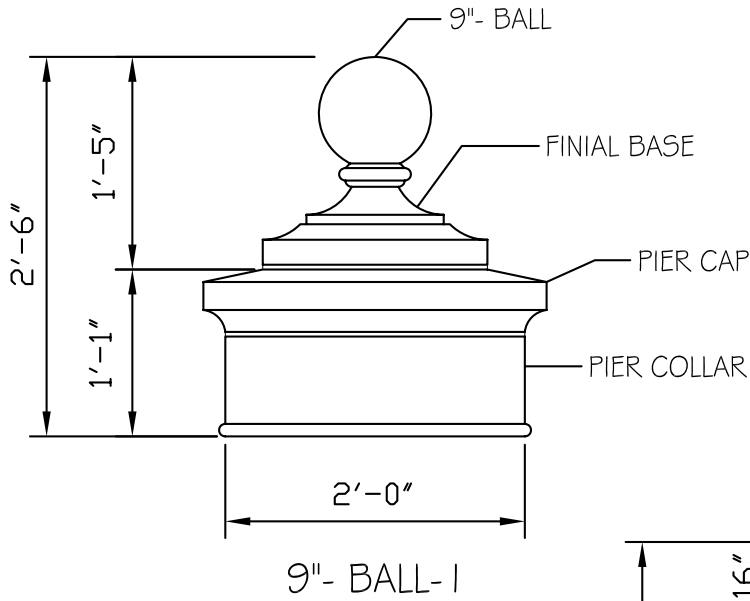
ACORN



CAPS, BASES AND COLLARS CAN BE MIXED WITH OTHER MOLD SERIES AS LONG AS THE FOOT PRINTS OF EACH COMPONENT MATCHES.

4280 WAYSIDE COURT LILBURN, GA. 30047. (770)921-9788. FAX 921-9910

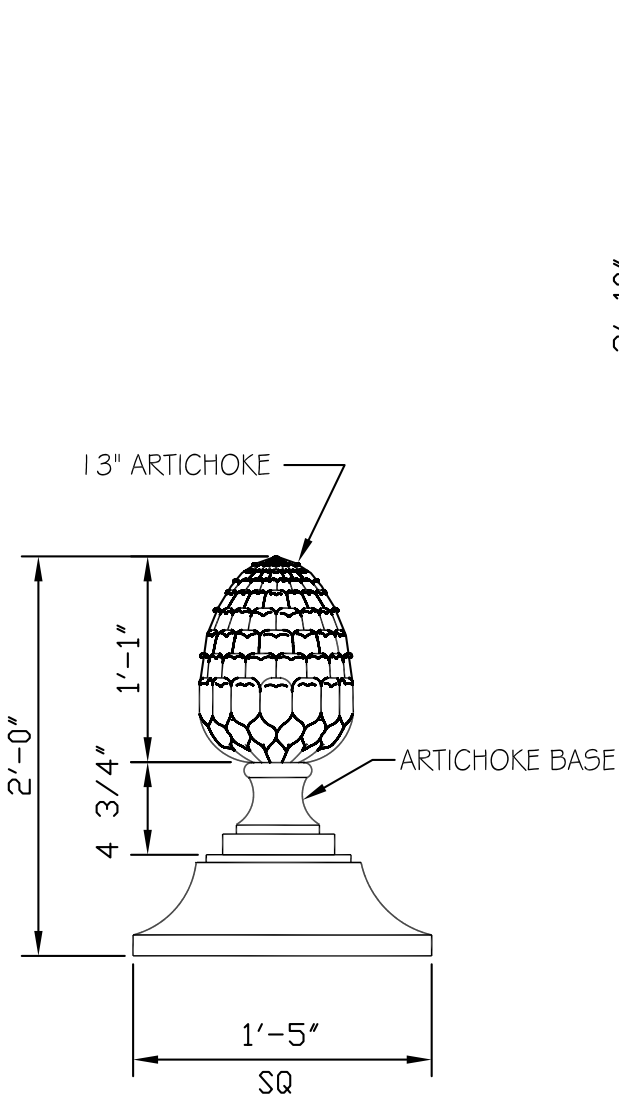
FINIAL AND PIER CAP COMBINATIONS



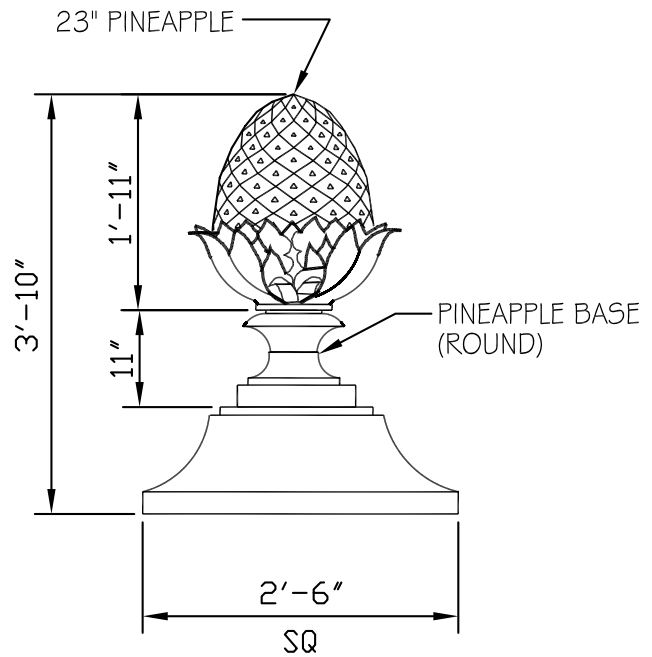
CAPS, BASES AND COLLARS CAN BE MIXED WITH OTHER MOLD SERIES AS LONG AS THE FOOT PRINTS OF EACH COMPONENT MATCHES.

4280 WAYSIDE COURT LILBURN, GA. 30047. (770)921-9788. FAX 921-9910

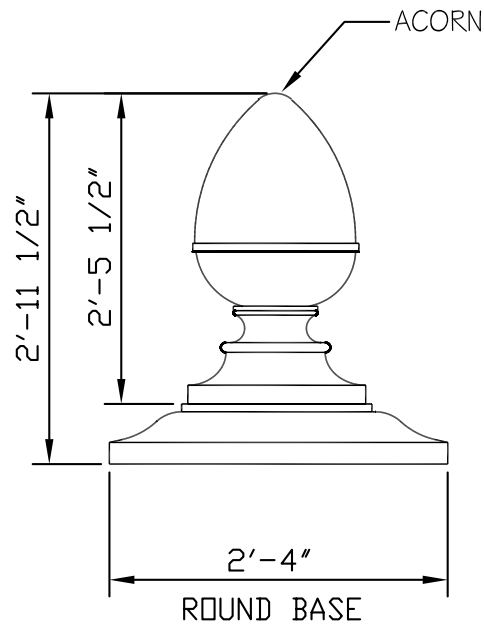
FINIALS



F-103-S-1717



F-102-S-3030



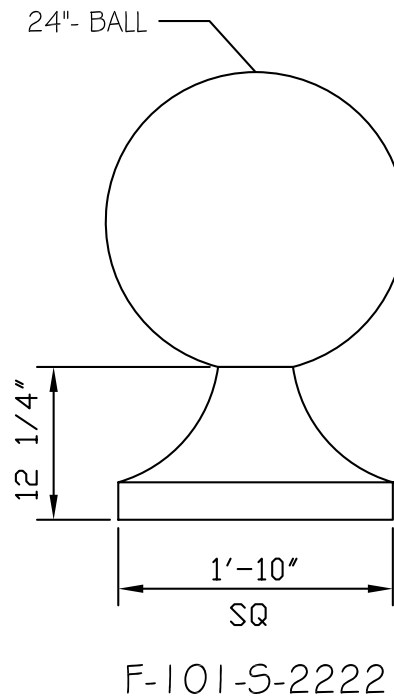
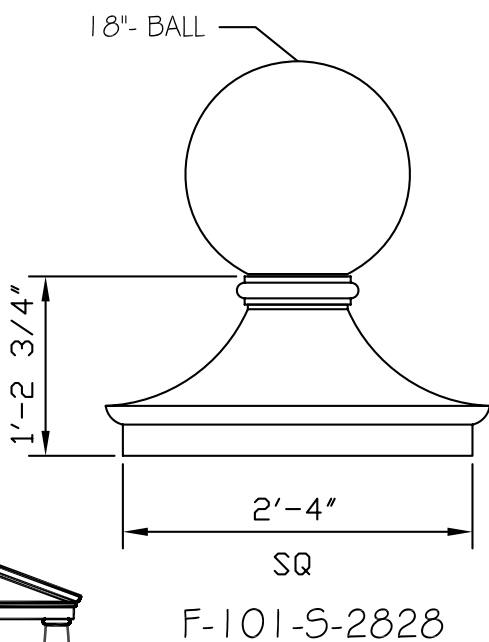
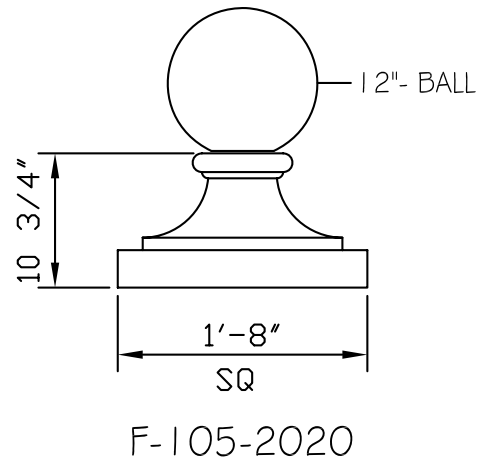
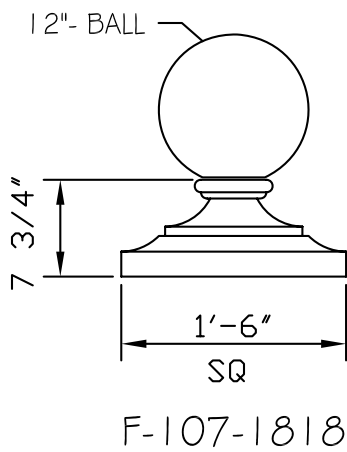
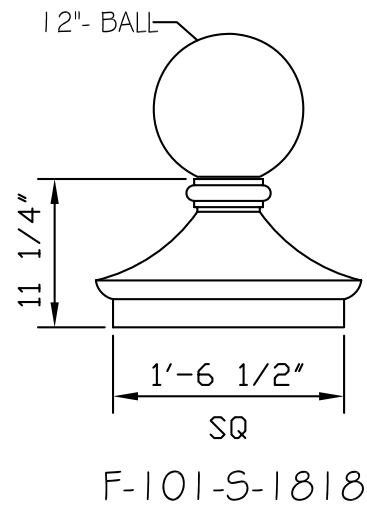
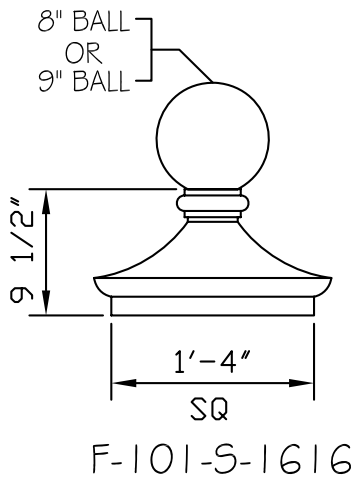
F-104-R-2833



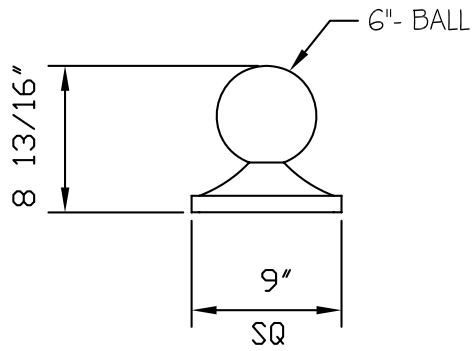
CAPS, BASES AND COLLARS CAN BE MIXED WITH OTHER MOLD SERIES AS LONG AS THE FOOT PRINTS OF EACH COMPONENT MATCHES.

4280 WAYSIDE COURT LILBURN, GA. 30047. (770)921-9788. FAX 921-9910

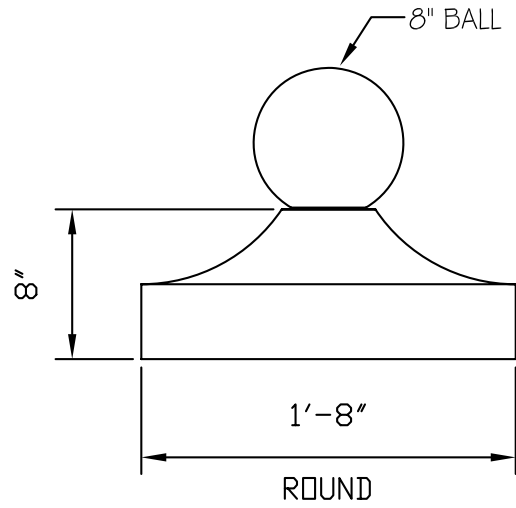
FINIALS



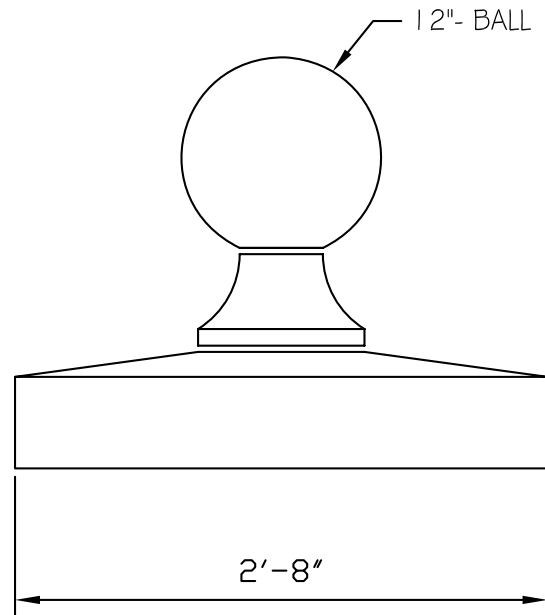
FINIALS



F-601
(ONE PIECE)



F-108-20



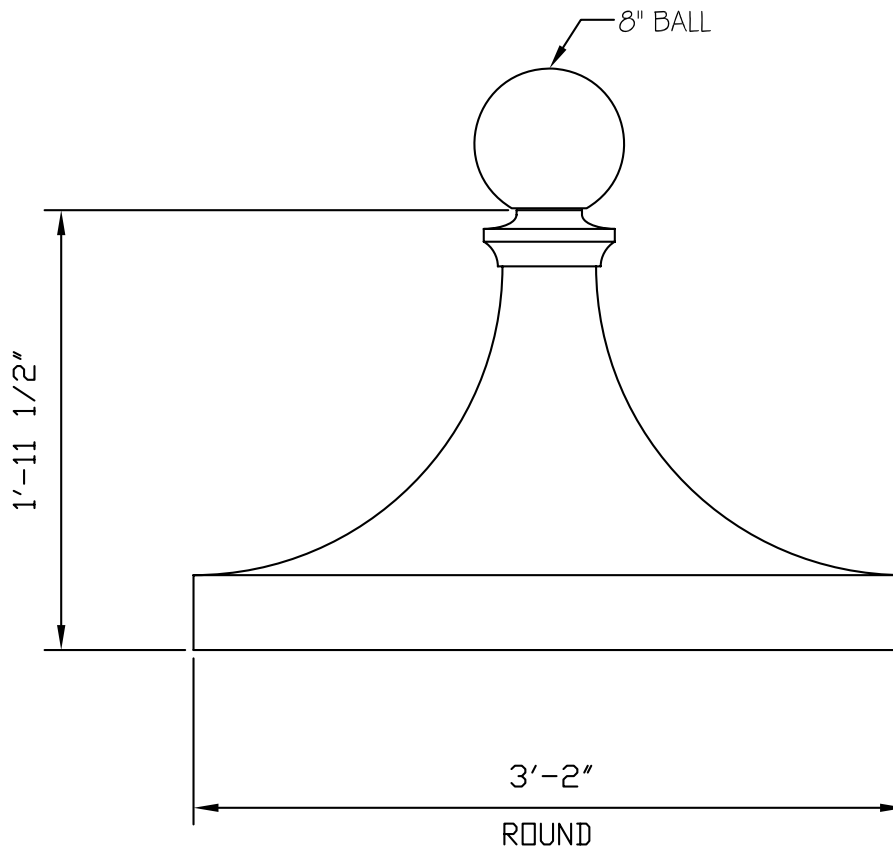
F-105
SQUARE BASE



CAPS, BASES AND COLLARS CAN BE MIXED WITH OTHER MOLD SERIES AS LONG AS THE FOOT PRINTS OF EACH COMPONENT MATCHES.

4280 WAYSIDE COURT LILBURN, GA. 30047. (770)921-9788. FAX 921-9910

FINIALS



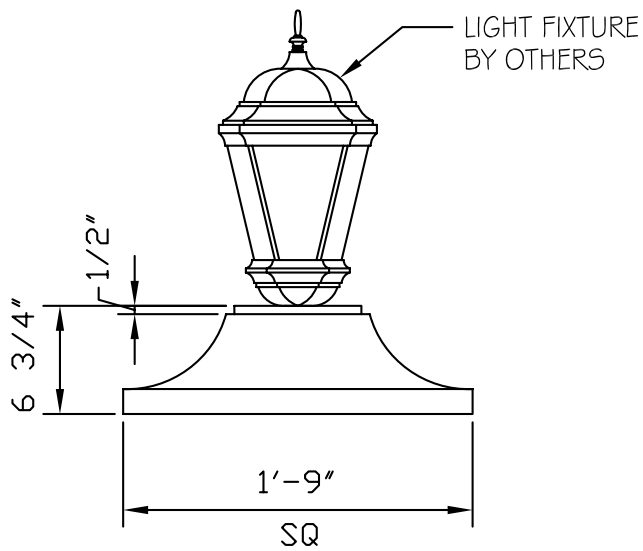
F-105-R-23.5-38



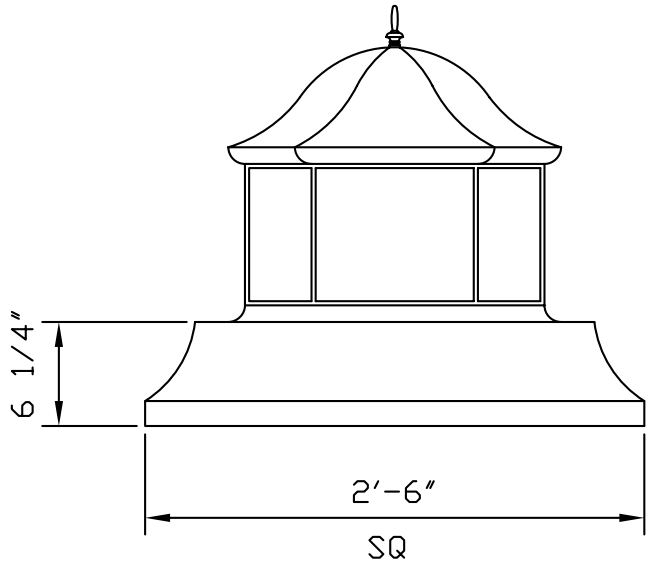
CAPS, BASES AND COLLARS CAN BE MIXED WITH OTHER MOLD SERIES AS LONG AS THE FOOT PRINTS OF EACH COMPONENT MATCHES.

4280 WAYSIDE COURT LILBURN, GA. 30047. (770)921-9788. FAX 921-9910

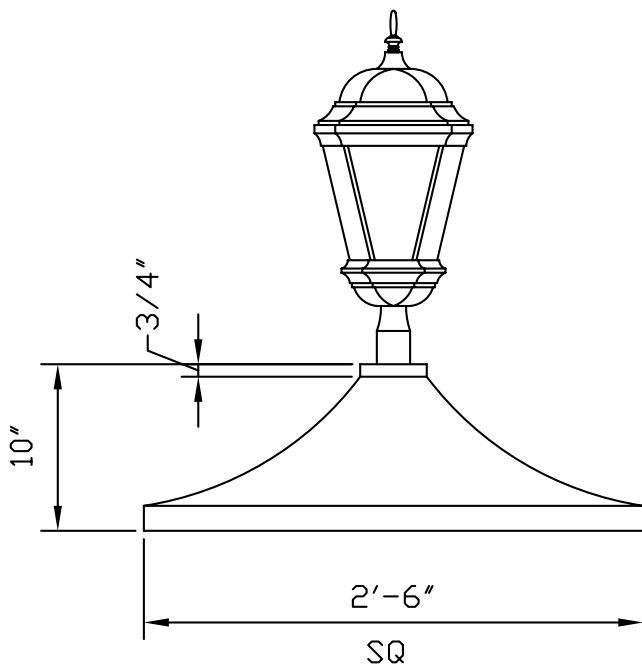
FINIAL BASES



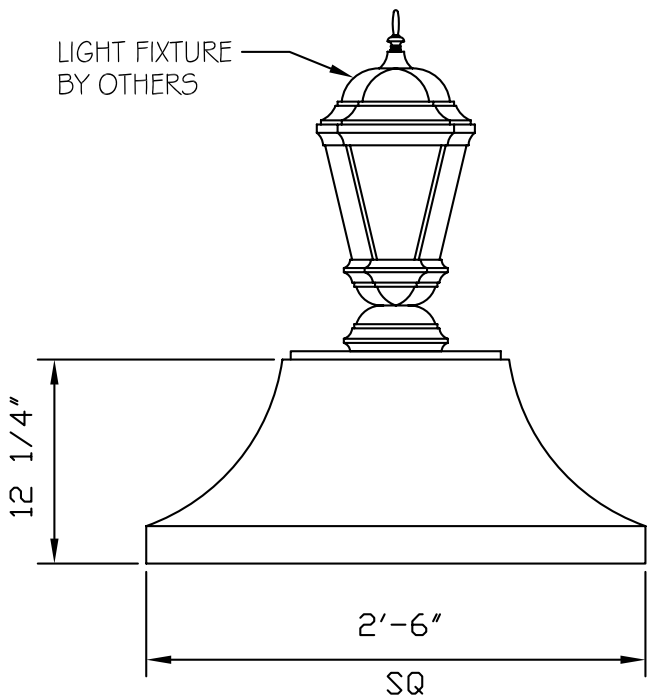
F-102-S-2121



F-103-S-3030



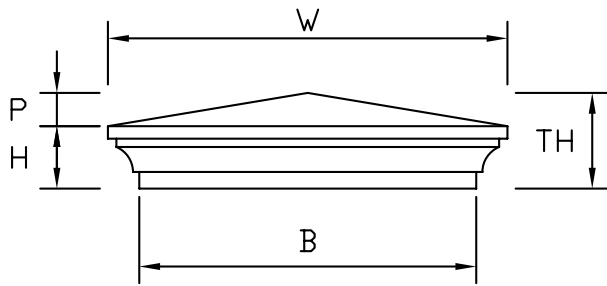
F-101-S-3030



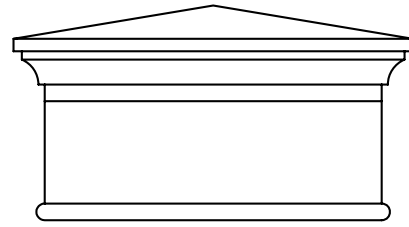
F-102-S-3030



PIER CAPS - #PC-102 SERIES



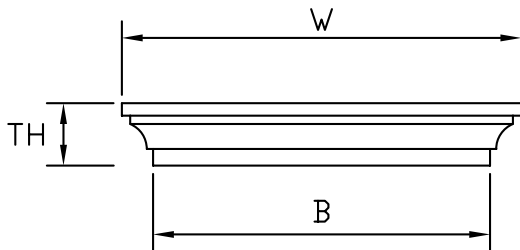
PC-102-A



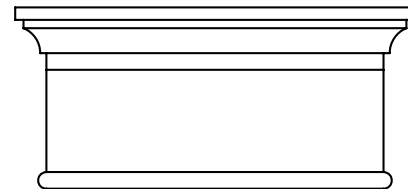
SAMPLE PIER CAP WITH COLLAR

SQUARE

ITEM NUMBER	B	H	P	TH	W
PC-102-A-1212	12"	3 1/2"	1 1/2"	5"	15 1/2"
PC-102-A-1616	16"	4"	1 1/2"	5 1/2"	20 1/2"
PC-102-A-1818	18"	4"	1 1/2"	5 1/2"	23"
PC-102-A-2075	20 3/4"	3 3/4"	2 3/4"	6 1/2"	24 1/2"
PC-102-A-2424	24"	3 3/4"	3 3/8"	7 1/8"	28"
PC-102-A-2626	26"	4 1/8"	2 1/2"	6 5/8"	33"
PC-102-A-2929	29"	5 1/4"	4"	9 1/4"	34"
PC-102-A-3030	30"	4 3/4"	4 3/4"	9 1/2"	35"
PC-102-A-3232	32"	5 1/4"	6 1/2"	11 3/4"	39"
PC-102-A-3636	36"	6 1/4"	5 1/4"	11 1/2"	42"
PC-102-A-4848	48"	7"	7"	14"	53"



PC-102-B



SAMPLE PIER CAP WITH COLLAR

ITEM NUMBER	B	TH	W
PC-102-B-1212	12"	3 1/2"	15 1/2"
PC-102-B-1616	16"	4"	20 1/2"
PC-102-B-1818	18"	4"	23"
PC-102-B-2075	20 3/4"	3 3/4"	24 1/2"
PC-102-B-2424	24"	3 3/4"	28"
PC-102-B-2626	26"	4 1/8"	33"
PC-102-B-2929	29"	5 1/4"	34"
PC-102-B-3030	30"	4 3/4"	35"
PC-102-B-3232	32"	5 1/4"	39"
PC-102-B-3636	36"	6 1/4"	42"
PC-102-B-4848	48"	7"	53"

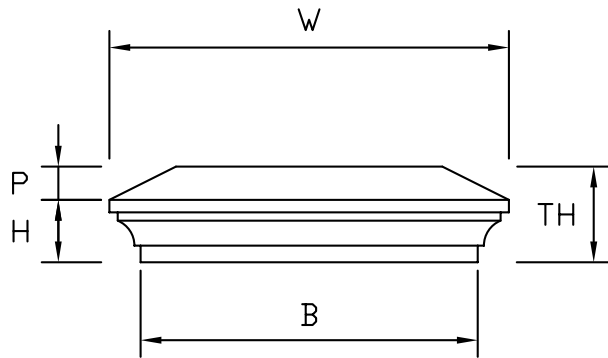
NOTE: All Pier Caps can be fitted with collars if required.

See pages 2-37 thru 2-39 for sizes and examples.



4280 WAYSIDE COURT LILBURN, GA. 30047. (770)921-9788. FAX 921-9910

PIER CAPS - #PC-102 SERIES



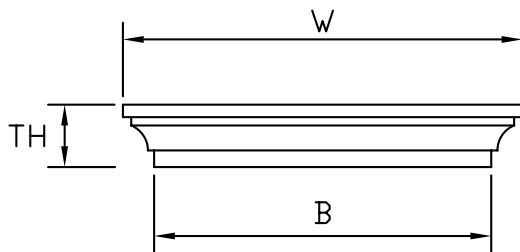
PC-102-A



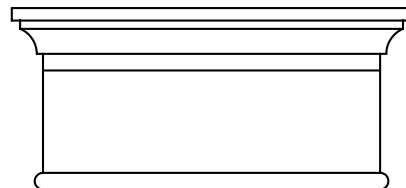
TOP VIEW

RECTANGLE

ITEM NUMBER	B	H	P	TH	W
PC-102-A-1216.5	12"x16 1/2"	4 1/2"	3"	7 1/2"	16 3/4"x21 1/4"
PC-102-A-1220.5	12"x20 1/2"	4 1/2"	3"	7 1/2"	16 3/4"x25 1/4"
PC-102-A-2152	20 3/4"x51 3/4"	3 3/4"	3"	6 3/4"	24 3/4"x55 3/4"
PC-102-A-2432	24"x32"	3 3/4"	3"	6 3/4"	27 3/4"x35 3/4"
PC-102-A-3326	33"x26"	4 1/8"	2 1/2"	6 5/8"	41"x34"



PC-102-B



SAMPLE PIER CAP
WITH COLLAR

RECTANGLE

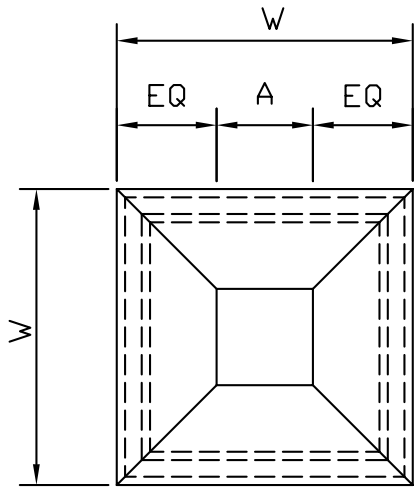
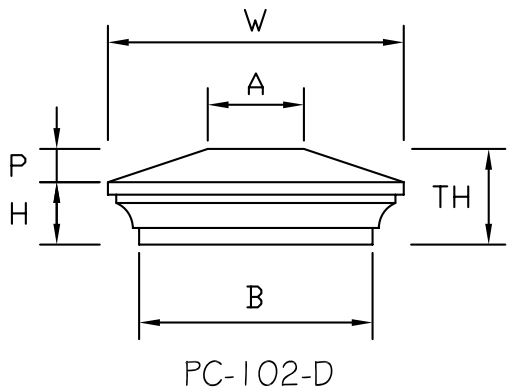
ITEM NUMBER	B	TH	W
PC-102-B-1216.5	12"x16 1/2"	4 1/2"	16 3/4"x21 1/4"
PC-102-B-1220.5	12"x20 1/2"	4 1/2"	16 3/4"x25 1/4"
PC-102-B-2152	20 3/4"x51 3/4"	3 3/4"	24 3/4"x55 3/4"
PC-102-B-2432	24"x32"	3 3/4"	27 3/4"x35 3/4"
PC-102-B-3326	33"x26"	4 1/8"	41"x34"



NOTE: All Pier Caps can be fitted with collars if required.
See pages 2-37 thru 2-39 for sizes and examples.

4280 WAYSIDE COURT LILBURN, GA. 30047. (770)921-9788. FAX 921-9910

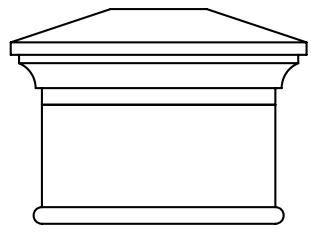
PIER CAPS - #PC-102 SERIES



TOP VIEW

FLAT TOP

ITEM NUMBER	A	B	H	P	TH	W
PC-102-D-1212	10 1/2"	12"	3 1/2"	1/2"	4"	15 1/2"
PC-102-D-2424	8"	24"	4 7/8"	3"	7 7/8"	28"
PC-102-D-2436 (RECT)	8"x12"	24"x36"	4"	3 3/4"	7 3/4"	28"x40"



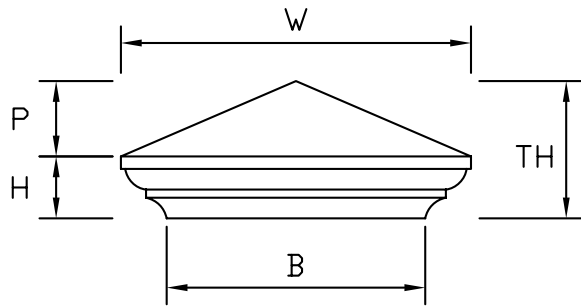
SAMPLE PIER CAP WITH COLLAR



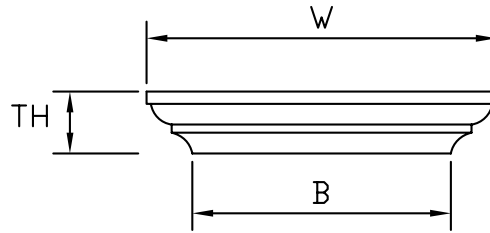
NOTE: All Pier Caps can be fitted with collars if required.
See pages 2-37 thru 2-39 for sizes and examples.

4280 WAYSIDE COURT LILBURN, GA. 30047. (770)921-9788. FAX 921-9910

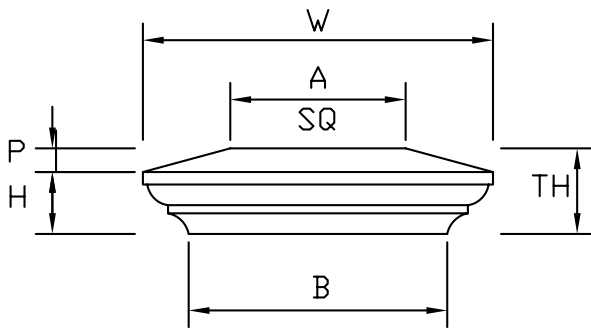
PIER CAPS - #PC-103 SERIES



#PC-103-A

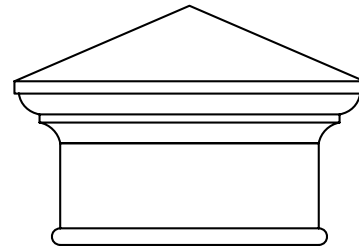


#PC-103-B



#PC-103-D

#PC-103-F



SAMPLE PIER CAP
WITH COLLAR

ITEM NUMBER	B	H	P	TH	W	A
PC-103-A-1212	12 1/2"	3 1/2"	3 1/4"	6 3/4"	17 1/2"	
PC-103-A-1818	18"	3"	5"	8"	25"	
PC-103-A-2424	24"	5 3/4"	7"	12 3/4"	37"	
PC-103-A-2828	28"	5 3/4"	7"	12 3/4"	37"	
PC-103-A-3737	37"	8 1/4"	10"	18 1/4"	48"	
PC-103-B-1212	12 1/2"			3 1/2"	17 1/2"	
PC-103-B-1818	18"			4"	24"	
PC-103-B-2424	24"			5 3/4"	32"	
PC-103-B-2828	28"			5 3/4"	36"	
PC-103-B-3737	37"			8 1/4"	48"	
PC-103-D-2424	24"	3 3/8"	2 1/16"	5 7/16"	30 1/2"	18 1/2"
PC-103-D-2828	28"	5 3/4"	3 1/2"	9 1/4"	36"	19 1/2"
PC-103-F-2424	24"	3"	3"	6"	31"	6"

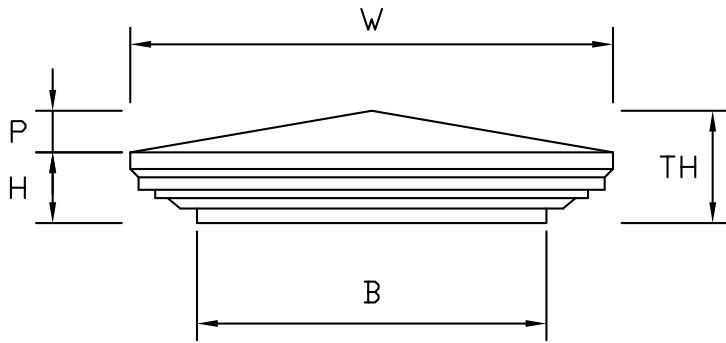


NOTE: All Pier Caps can be fitted with collars if required.
See pages 2-37 thru 2-39 for sizes and examples.

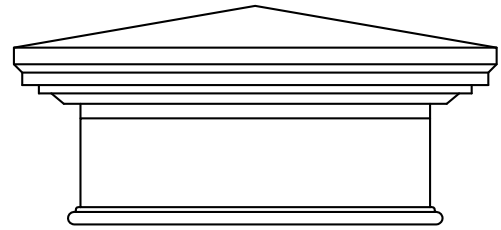
4280 WAYSIDE COURT LILBURN, GA. 30047. (770)921-9788. FAX 921-9910

PIER CAPS - #PC-104 SERIES

See #PC-103 Series for price list.

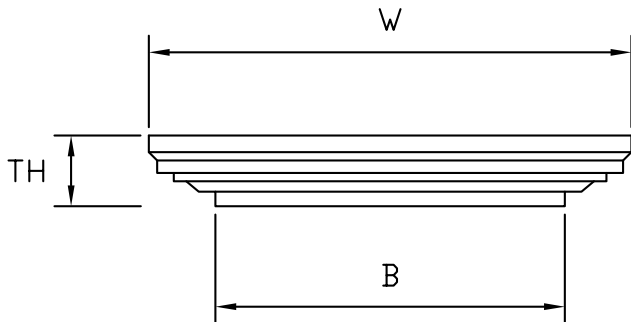


#PC-104-A

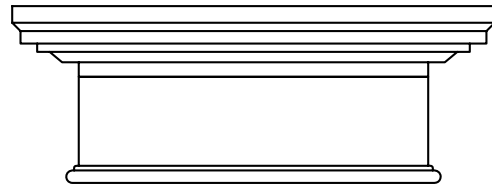


SAMPLE PIER CAP WITH COLLAR

ITEM NUMBER	B	H	P	TH	W
PC-104-A-2121	21"	4 1/4"	2 1/2"	6 3/4"	29"
PC-104-A-2525	25"	4 1/4"	2 3/4"	7"	33"
(RECT) PC-104-A-2531	25'x31"	4 1/2"	2 3/4"	7 1/4"	34'x40"
PC-104-A-2929	29"	4 1/2"	2 3/4"	7 1/4"	38"
(RECT) PC-104-A-3262	32'x62"	4 1/4"	3 1/4"	7 1/2"	40'x70"
PC-104-A-3333	33"	4 1/4"	3 1/4"	7 1/2"	41"



#PC-104-B



SAMPLE PIER CAP WITH COLLAR

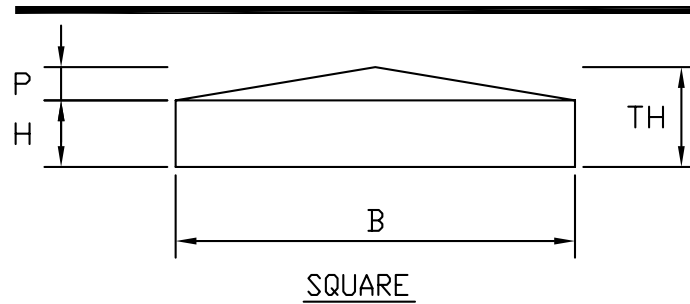
ITEM NUMBER	B	TH	W
PC-104-B-2121	21"	4 1/4"	29"
PC-104-B-2525	25"	4 1/4"	33"
(RECT) PC-104-B-2531	25'x31"	4 1/2"	34'x40"
PC-104-B-2929	29"	4 1/2"	38"
(RECT) PC-104-B-3262	32'x62"	4 1/4"	40'x70"
PC-104-B-3333	33"	4 1/4"	41"



NOTE: All Pier Caps can be fitted with collars if required.
See pages 2-37 thru 2-39 for sizes and examples.

4280 WAYSIDE COURT LILBURN, GA. 30047. (770)921-9788. FAX 921-9910

PIER CAP #PC-105

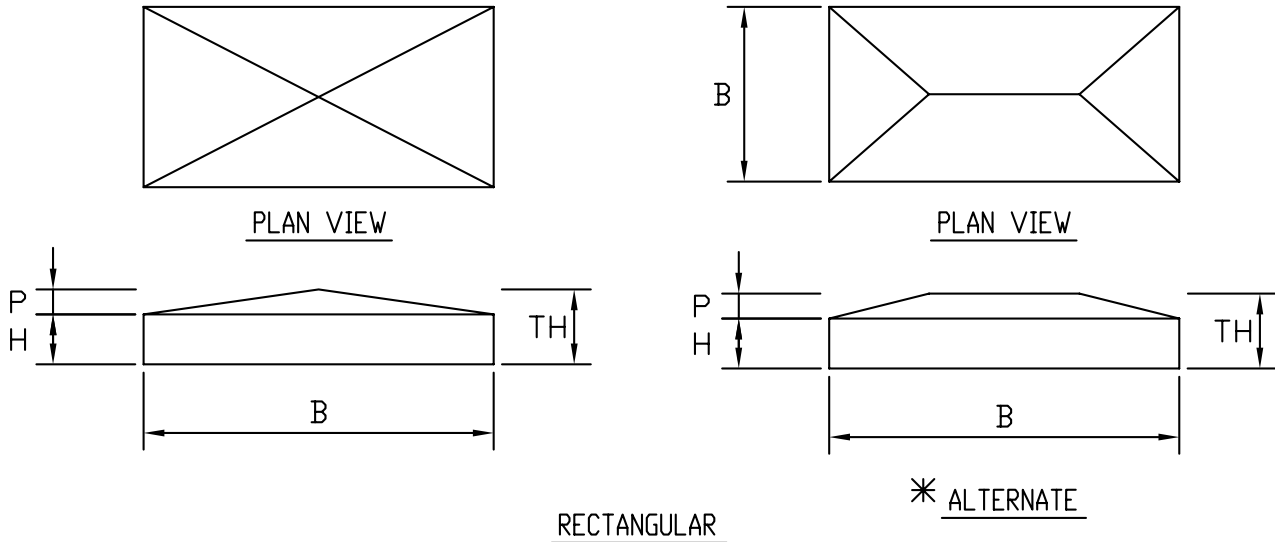


ITEM NUMBER	B	H	P	TH
PC-105-A-1212	12'	2 1/2"	2 1/4"	4 3/4"
PC-105-A-1414	14'	3"	3"	6"
PC-105-A-15.625-15.625	15 5/8'	3"	2"	5"
PC-105-A-1616	16'	3 1/4"	3 1/4"	6 1/2"
PC-105-A-17.625-17.625	17 5/8'	3"	3/4"	3 3/4"
PC-105-A-1818	18'	3"	3"	6"
PC-105-AA-1818	18'	2 1/2"	3"	5 1/2"
PC-105-A-19.625-19.625	19 3/4'	2"	2"	4"
PC-105-A-2020	20'	4"	4"	8"
PC-105-A-2121	21'	4"	2"	6"
PC-105-A-2222	22'	4"	1"	5"
PC-105-AA-2222	22'	3"	2"	5"
PC-105-AAA-2222	22'	4 1/4"	4"	8 1/4"
PC-105-A-22.25-22.25	22 1/4'	4"	1/2"	4 1/2"
PC-105-A-23.5-23.5	23 1/2'	3 3/4"	2"	5 3/4"
PC-105-A-23.625-23.625	23 5/8'	3 5/8"	2"	5 5/8"
PC-105-A-2424	24'	6"	1/2"	6 1/2"
PC-105-AA-2424	24'	4 1/4"	3 1/2"	7 3/4"
PC-105-AAA-2424	24'	4 3/4"	4 1/2"	9 1/4"
PC-105-AAAA-2424	24'	4 1/8"	6 1/4"	10 3/8"
PC-105-A-2525	25'	3"	3"	6"
PC-105-A-2626	26'	3"	1/2"	3 1/2"
PC-105-AA-2626	26'	4"	1"	5"
PC-105-AAA-2626	26'	4 1/2"	4 1/2"	9"
PC-105-AAAA-2626	26'	4"	2"	6"
PC-105-A-26.5-26.5	26 1/2'	4"	1"	5"
PC-105-A-2727	27'	3"	1"	4"
PC-105-A-27.5-27.5	27 1/2'	4"	1"	5"
PC-105-A-2828	28'	5 3/4"	3/4"	6 1/2"
PC-105-AA-2828	28'	4 3/4"	4 3/4"	9 1/2"
PC-105-AAA-2828	28'	4"	7 3/4"	11 3/4"
PC-105-A-3232	32'	5 1/2"	1 1/2"	7"
PC-105-AA-3232	32'	4"	9"	13"
PC-105-A-33.25-33.25	33 1/4'	3"	4"	7"
PC-105-A-33.5-33.5	33 1/2'	3 1/2"	1"	4 1/2"
PC-105-A-3434	34'	4"	1"	5"
PC-105-A-3535	35'	6"	2"	8"
PC-105-A-3838	38'	4"	2 1/2"	6 1/2"
PC-105-A-3939	39'	4"	4"	8"
PC-105-A-4040	40'	4"	1"	5"
PC-105-A-4444	44'	8"	4"	12"
PC-105-AAA-4444	44'	4"	12 1/2"	16 1/2"
PC-105-A-5252	52'	4"	1"	5"
PC-105-A-5454	54'	4"	3 3/8"	7 3/8"



4280 WAYSIDE COURT LILBURN, GA. 30047. (770)921-9788. FAX 921-9910

PIER CAP #PC-105



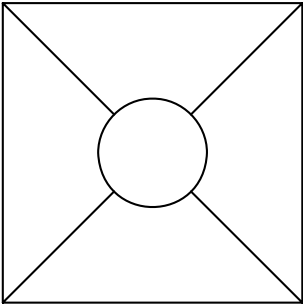
ITEM NUMBER	B	H	P	TH
* PC-105-A-12-27.75	12'x27 3/4'	2"	2"	4"
PC-105-A-1418	14'x18'	3"	2"	5"
PC-105-AA-1418	14'x18'	3"	3"	6"
* PC-105-A-1624	16'x24'	5"	1"	6"
* PC-105-A-1822	18'x22'	3"	1/2"	3 1/2"
PC-105-A-1826	18'x26'	4"	4"	8"
* PC-105-AA-1826	18'x26'	4"	2"	6"
* PC-105-A-1828	18'x28'	3 1/2"	1"	4 1/2"
* PC-105-A-1834	18'x34'	4"	2"	6"
PC-105-A-1929	19'x29'	4"	4"	8"
* PC-105-A-2036	20'x36'	4"	4"	8"
* PC-105-A-2420	24'x20'	5"	1"	6"
PC-105-A-2428	24'x28'	3"	1 1/2"	4 1/2"
PC-105-AAA-2456	24'x56'	4"	8"	12"
PC-105-A-25.5-22	25 1/2'x22'	4"	1"	5"
PC-105-A-27.5-24	27 1/2'x24'	4"	1"	5"
PC-105-A-2735	27'x35'	6"	2"	8"
PC-105-A-2844	28'x44'	5 1/2"	2 1/2"	8"
PC-105-A-3236	32'x36'	8"	4"	12"
PC-105-A-33.5-61.5	33 1/2'x61 1/2'	5"	1/2"	5 1/2"
PC-105-A-3458	34'x58'	4"	1"	5"
* PC-105-A-3464	34'x64'	4"	8"	12"
PC-105-A-3632	36'x32'	4"	8"	12"
* PC-105-A-3644	36'x44'	4"	8"	12"
* PC-105-A-9862	98'x62'	6"	2 1/2"	8 1/2"



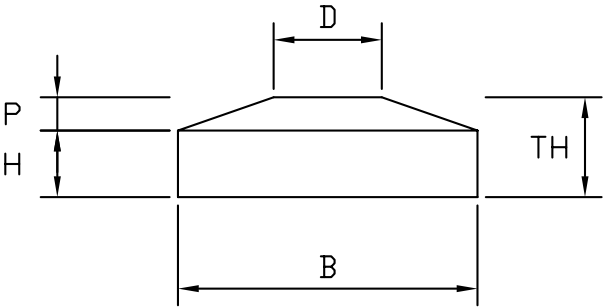
4280 WAYSIDE COURT LILBURN, GA. 30047. (770)921-9788. FAX 921-9910

PIER CAP

#PC-105-B



PLAN VIEW



FLAT TOP

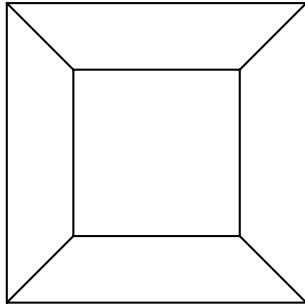
ITEM NUMBER	B	D	H	P	TH
PC-105-B-3232	32'x32'	10"	5 1/2"	1 1/2"	7"
PC-105-B-2727	27'x27'	8"	4"	1 1/2"	5 1/2"



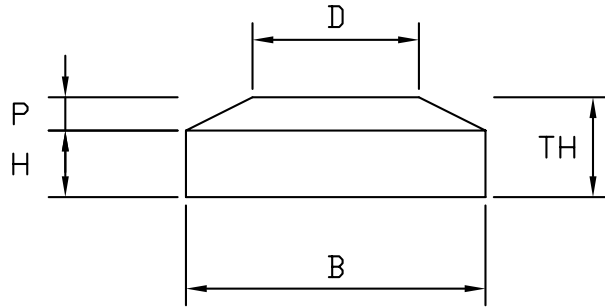
**OLDE WORLD
CAST STONE**

4280 WAYSIDE COURT LILBURN, GA. 30047. (770)921-9788. FAX 921-9910

PIER CAP #PC-105-D



PLAN VIEW



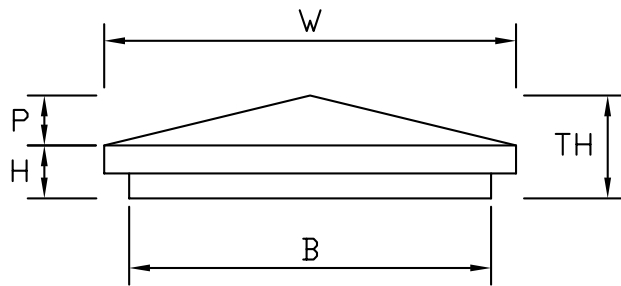
FLAT TOP

ITEM NUMBER	B	D	H	P	TH
PC-105-D-1717	17"x17"	4"	4"	5/8"	4 5/8"
PC-105-D-2222	22"x22"	6"	2"	3/4"	2 3/4"
PC-105-D-2727	27"x27"	8"	4"	1 1/2"	5 1/2"
PC-105-D-3131	31"x31"	19"	4"	1 1/2"	5 1/2"
PC-105-D-3333	33"x33"	21"	4"	1 1/2"	5 1/2"
PC-105-D-37.5-37.5	37 1/2"x37 1/2"	19"	2"	2"	4"
PC-105-D-42.25-42.25	42 1/4"x42 1/4"	?"	4"	3"	7"
PC-105-D-4444	44"x44"	20"	5"	1"	6"

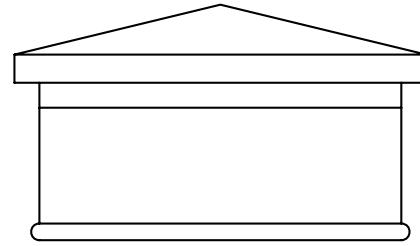


4280 WAYSIDE COURT LILBURN, GA. 30047. (770)921-9788. FAX 921-9910

PIER CAPS - #PC-106 SERIES

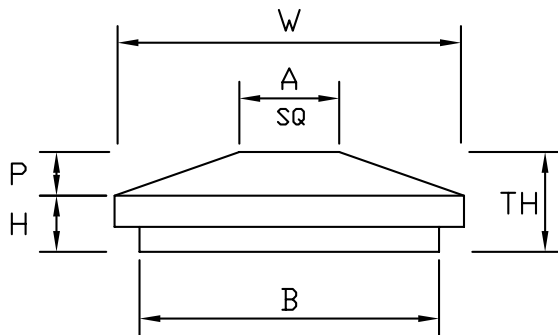


#PC-106-A

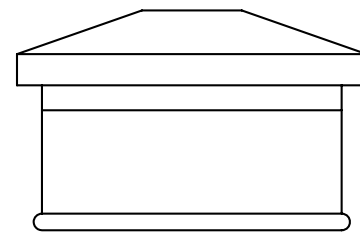


SAMPLE PIER CAP
WITH COLLAR

ITEM NUMBER	B	H	P	TH	W
PC-106-A-2222	22"	4 1/2"	1 3/4"	6 1/4"	24"
PC-106-A-2424	24"	3 1/2"	4"	8 1/4"	27 1/2"
PC-106-A-2626	26"	3 1/2"	5"	8 1/2"	29 1/2"
PC-106-A-2929	29"	3 1/2"	4"	8 1/4"	30"
PC-106-A-3434	34"	4"	2"	6"	38"
(RECT) PC-106-A-47.25-26.25	47 1/4"x26 1/4"	4 1/4"	3 1/2"	7 3/4"	51"x30"
(RECT) PC-106-A-1834	18"x34"	3 1/2"	3"	6 1/2"	21 1/2"x37 1/2"
(RECT) PC-106-A-2949	29"x49"	4 1/4"	4"	8 1/4"	33"x53"
(RECT) PC-106-A-47.5-26.5	47 1/2"x26 1/2"	4 1/2"	3 1/2"	8"	51 1/2"x30 1/2"



#PC-106-D



SAMPLE PIER CAP
WITH COLLAR

ITEM NUMBER	A	B	H	P	TH	W
PC-106-D-2424	8"	24"	3 1/2"	3 1/2"	7"	27 1/2"
PC-106-D-2929	18"	29"	3 1/2"	1"	4 1/2"	30"
# PC-106-D-3030	10"	26"	3"	4"	7"	30"
PC-106-D-4848-1/2	30"x14 13/16"	48"x23 13/16"	8"	2"	10"	50"x24 13/16"

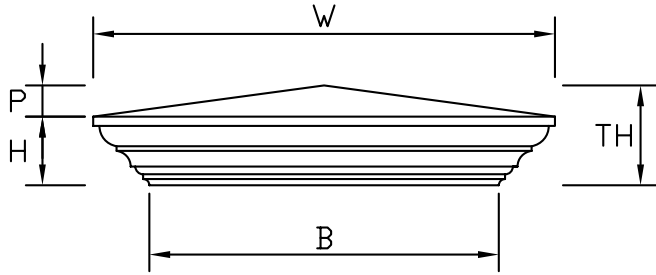
PC-106-D-3030 Can be paired with PC-257-2626 to make one Pier Cap.

NOTE: All Pier Caps can be fitted with collars if required.
See pages 2-37 thru 2-39 for sizes and examples.

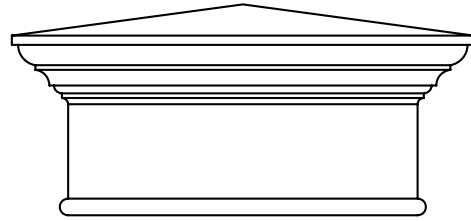


4280 WAYSIDE COURT LILBURN, GA. 30047. (770)921-9788. FAX 921-9910

PIER CAPS - #PC-107 SERIES

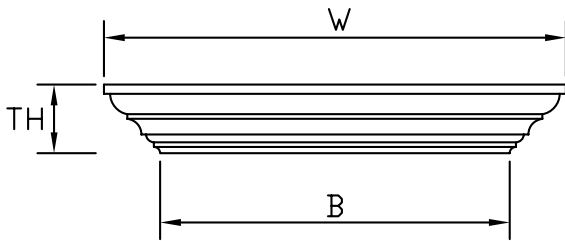


#PC-107-A



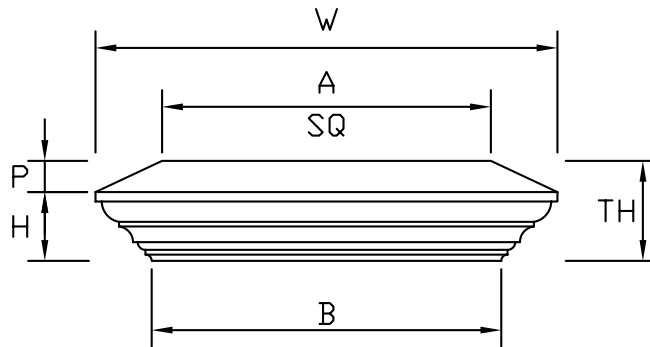
SAMPLE PIER CAP
WITH COLLAR

ITEM NUMBER	B	H	P	TH	W
PC-107-A-25.5-25.5	25 1/2"	5 1/2"	2"	7 1/2"	34"
PC-107-A-2828	28"	5 1/2"	2"	7 1/2"	37"
PC-107-A-3636	36"	5 3/4"	4 1/4"	10"	44 1/2"
(RECT) PC-107-A-2958	29"x58"	5 1/2"	2"	7 1/2"	38"x67"



#PC-107-B

ITEM NUMBER	B	TH	W
PC-107-B-25.5-25.5	25 1/2"	5 1/2"	34"
PC-107-B-2828	28"	5 1/2"	37"
PC-107-B-2958	29"x58"	5 1/2"	38"x67"
PC-107-B-3636	36"	5 3/4"	44 1/2"



#PC-107-D

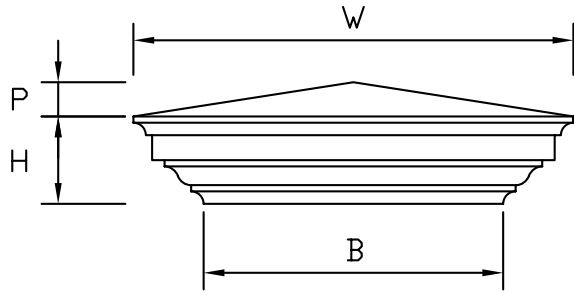
ITEM NUMBER	A	B	H	P	TH	W
PC-107-D-2828	21"	28"	5 1/2"	3/4"	6 1/4"	37"
PC-107-D-3636	8 3/4"	36"	5 3/4"	4"	9 3/4"	44 1/2"



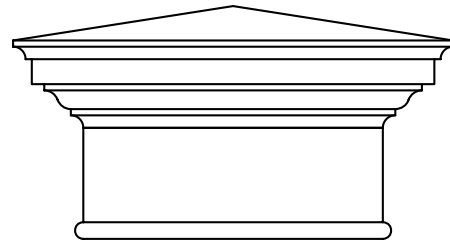
NOTE: All Pier Caps can be fitted with collars if required.
See pages 2-37 thru 2-39 for sizes and examples.

4280 WAYSIDE COURT LILBURN, GA. 30047. (770)921-9788. FAX 921-9910

PIER CAPS - #PC-108 SERIES

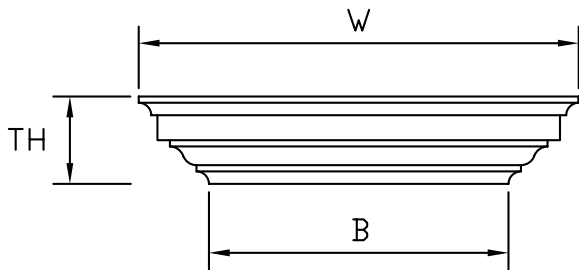


#PC-108-A



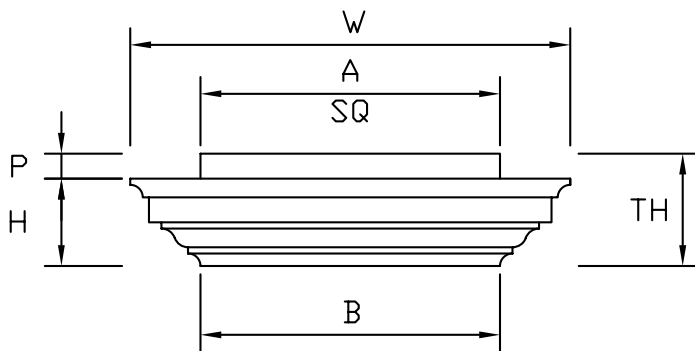
SAMPLE PIER CAP
WITH COLLAR

ITEM NUMBER	B	H	P	TH	W
PC-108-A-1616	16"	4 3/4"	1 3/4"	6 1/2"	24"
PC-108-A-1818	18"	6 5/8"	1 3/4"	6 7/8"	29 1/4"
PC-108-A-20.5-20.5	20 1/2"	6 3/4"	2"	8 3/4"	31 5/8"
PC-107-A-2424	24"	7"	2 3/4"	9 3/4"	35 1/4"

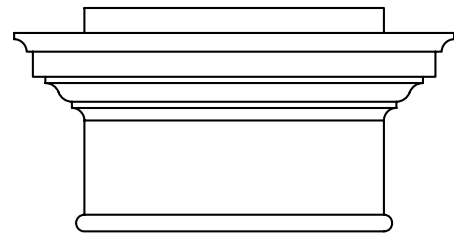


#PC-108-B

ITEM NUMBER	B	TH	W
PC-108-B-1616	16"	4 3/4"	24"
PC-108-B-1818	18"	6 5/8"	29 1/4"
PC-108-B-20.5-20.5	20 1/2"	6 3/4"	31 5/8"
PC-108-B-2424	24"	7"	35 1/4"



#PC-108-E



SAMPLE PIER CAP
WITH COLLAR

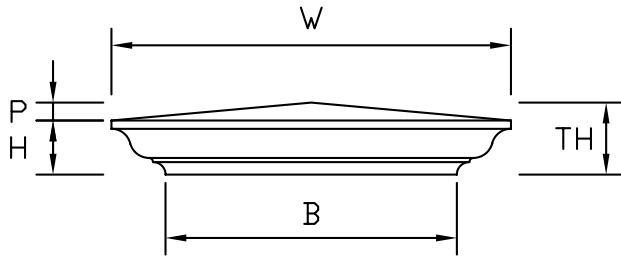
ITEM NUMBER	A	B	H	P	TH	W
PC-108-E-1616	16"	16"	4 3/4"	1 1/4"	6"	24"
PC-108-E-1818	18"	18"	6 5/8"	1 1/4"	7 7/8"	29 1/4"
PC-108-E-20.5-20.5	20 1/2"	20 1/2"	6 3/4"	2 1/4"	9"	31 5/8"
PC-108-E-2424	24"	24"	6 1/2"	2 1/4"	8 3/4"	35 1/4"



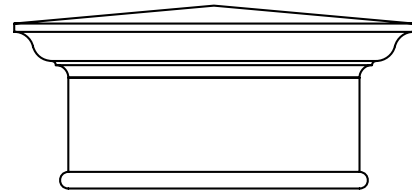
NOTE: All Pier Caps can be fitted with collars if required.
See pages 2-37 thru 2-39 for sizes and examples.

4280 WAYSIDE COURT LILBURN, GA. 30047. (770)921-9788. FAX 921-9910

PIER CAPS - #PC-110 SERIES

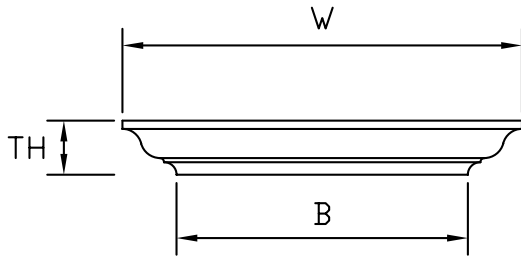


#PC-110-A

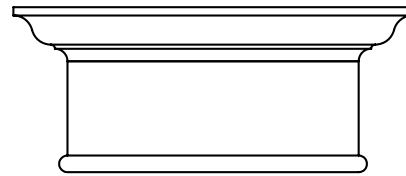


SAMPLE PIER CAP
WITH COLLAR

ITEM NUMBER	B	H	P	TH	W
PC-110-A-17.5-17.5	17 1/2"	3 1/4"	1"	4 1/4"	24"
(RECT) PC-110-A-1216	12"x16"	3 1/4"	1"	4 1/4"	18 1/2"x22 1/2"



#PC-110-B



SAMPLE PIER CAP
WITH COLLAR

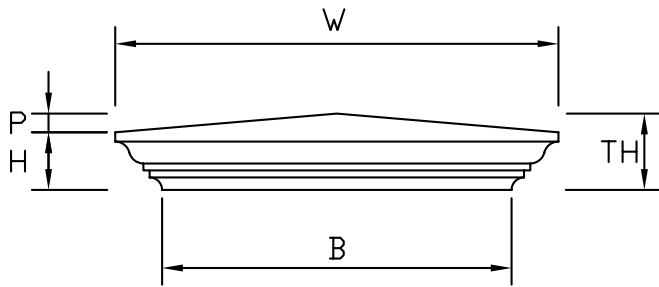
ITEM NUMBER	B	TH	W
PC-110-B-17.5-17.5	17 1/2"	3 1/4"	24"
(RECT) PC-110-B-1216	12"x16"	3 1/4"	18 1/2"x22 1/2"



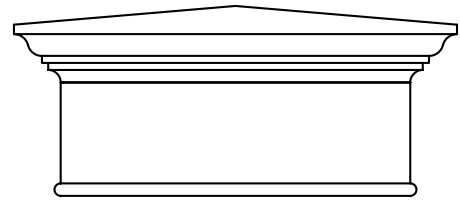
NOTE: All Pier Caps can be fitted with collars if required.
See pages 2-37 thru 2-39 for sizes and examples.

4280 WAYSIDE COURT LILBURN, GA. 30047. (770)921-9788. FAX 921-9910

PIER CAPS - #PC-111 SERIES

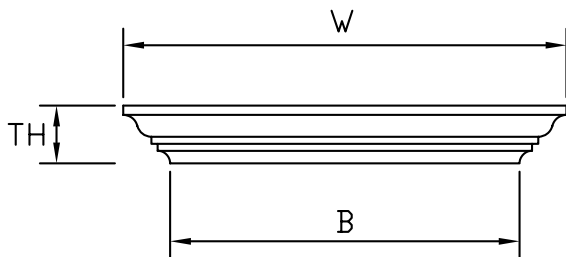


#PC-111-A

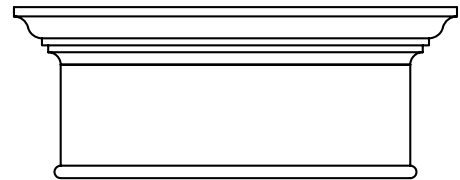


SAMPLE PIER CAP WITH COLLAR

ITEM NUMBER	B	H	P	TH	W
PC-111-A-1717	17"	4 1/8"	1 1/4"	5 3/8"	24 1/2"
PC-111-A-2828	28"	4 5/8"	1 1/2"	6 1/8"	35 1/2"



#PC-111-B



SAMPLE PIER CAP WITH COLLAR

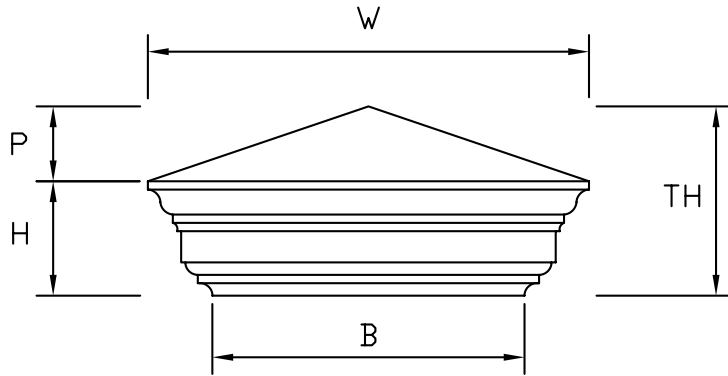
ITEM NUMBER	B	TH	W
PC-111-B-1717	17"	4 1/8"	24 1/2"
PC-111-B-2828	28"	4 5/8"	35 1/2"



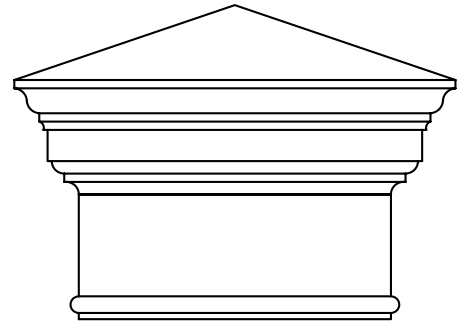
NOTE: All Pier Caps can be fitted with collars if required.
See pages 2-37 thru 2-39 for sizes and examples.

4280 WAYSIDE COURT LILBURN, GA. 30047. (770)921-9788. FAX 921-9910

PIER CAPS - #PC-112 SERIES

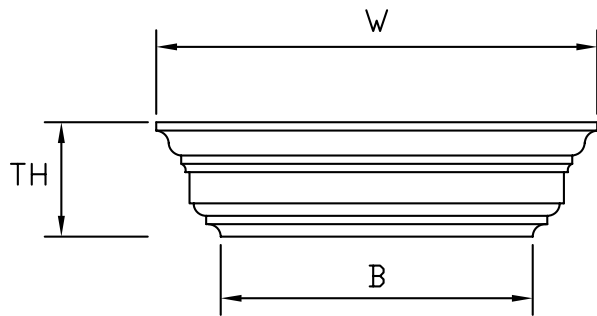


#PC-112-A-37.5-37.5

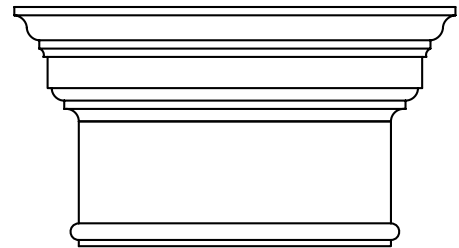


SAMPLE PIER CAP WITH COLLAR

ITEM NUMBER	B	H	P	TH	W
PC-112-A-37.5-37.5	37 3/4"	12 3/4"	12"	24 3/4"	56 3/8"

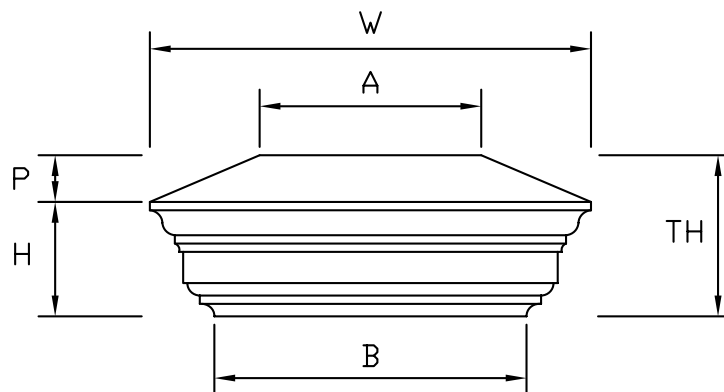


#PC-112-B-37.5-37.5



SAMPLE PIER CAP WITH COLLAR

ITEM NUMBER	B	TH	W
PC-112-B-37.5-37.5	37 3/4"	12 3/4"	56 3/8"



#PC-112-D-37.5-37.5

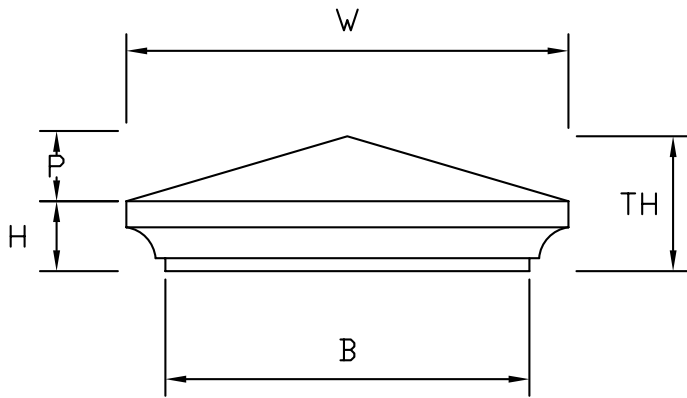
ITEM NUMBER	A	B	H	P	TH	W
PC-112-D-37.5-37.5	30"	37 3/4"	12 3/4"	5 5/8"	18 3/8"	56 3/8"



NOTE: All Pier Caps can be fitted with collars if required.
See pages 2-37 thru 2-39 for sizes and examples.

4280 WAYSIDE COURT LILBURN, GA. 30047. (770)921-9788. FAX 921-9910

PIER CAPS - #PC-114 SERIES

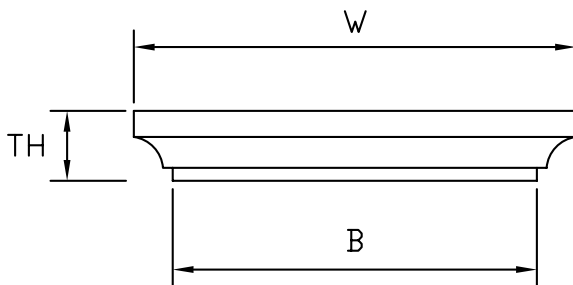


#PC-114-A

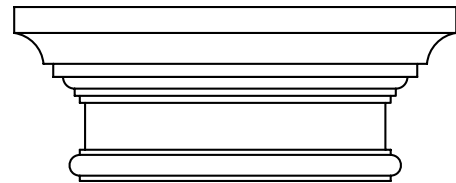


SAMPLE PIER CAP WITH COLLAR

ITEM NUMBER	B	H	P	TH	W
PC-114-A-2828	28"	5"	5"	10"	34"
PC-114-A-3333	33"	5 1/2"	5"	10 1/2"	39"
PC-114-A-4040	40"	5"	5 1/2"	10 1/2"	45 1/2"
PC-114-A-4444	44"	6"	7"	13"	50"



#PC-114-B



SAMPLE PIER CAP WITH COLLAR

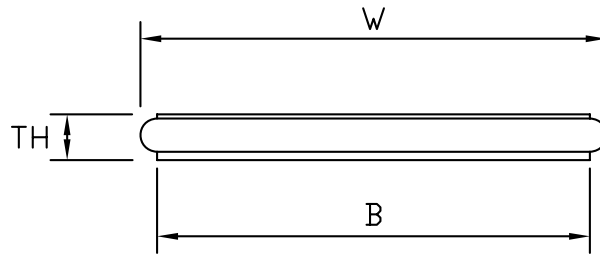
ITEM NUMBER	B	TH	W
PC-114-B-2828	28"	5"	34"
PC-114-B-3333	33"	5 1/2"	39"
PC-114-B-4040	40"	5"	45 1/2"
PC-114-B-4444	44"	6"	50"



NOTE: All Pier Caps can be fitted with collars if required.
See pages 2-37 thru 2-39 for sizes and examples.

4280 WAYSIDE COURT LILBURN, GA. 30047. (770)921-9788. FAX 921-9910

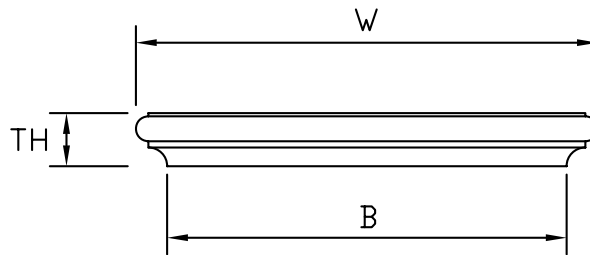
PIER CAPS - #PC-115 SERIES



#PC-115-B

ITEM NUMBER	B	TH	W
(RECT) PC-115-B-1224	12"x24"	2 7/8"	14"x26"
PC-115-B-1616	16"	2 7/8"	18"
PC-115-B-1818	18"	2 7/8"	20"
PC-115-B-2020	20"	2 7/8"	22"
(RECT) PC-115-B-2036	20"x36"	2 3/4"	22"x38"
PC-115-B-24.25-24.25	24 1/4"	2 3/4"	26 1/4"
PC-115-B-2626	26"	2 3/4"	28"
(ROUND) PC-115-B-30-DIA	30" DIA	2 7/8"	32" DIA

PIER CAPS - #PC-116 SERIES



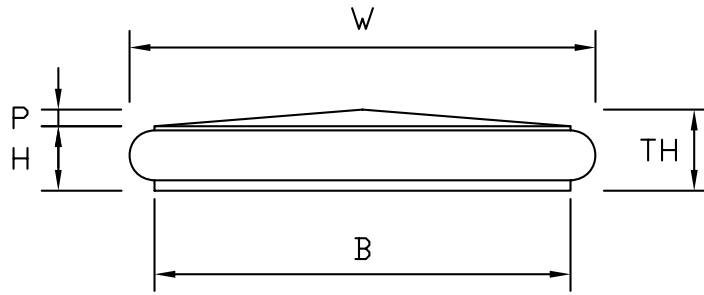
#PC-116-B

ITEM NUMBER	B	TH	W
PC-116-B-1616	16"	2 1/8"	18 1/2"
PC-116-B-1818	18"	2 1/8"	20 1/2"
PC-116-B-2020	20"	2 1/8"	22 1/2"
(RECT) PC-116-B-2033	20"x33"	2 1/8"	22 1/2"x35 1/2"



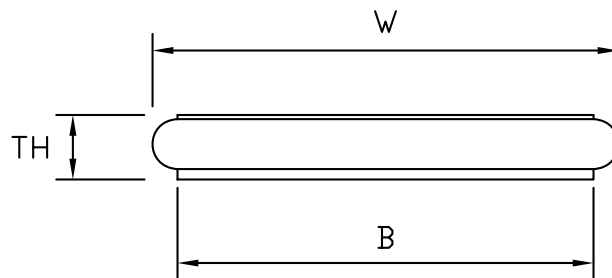
4280 WAYSIDE COURT LILBURN, GA. 30047. (770)921-9788. FAX 921-9910

PIER CAPS - #PC-117 SERIES



#PC-117-A

ITEM NUMBER	B	H	P	TH	W
PC-117-A-23.75-23.75	23 3/4"	3 3/4"	1"	4 3/4"	26 3/4"
PC-117-A-2525	25"	3 7/8"	1"	4 7/8"	28"
PC-117-A-2626	26"	3 5/8"	3/4"	4 3/8"	28 1/2"
(RECT) PC-117-A-2650	26"x50"	3 5/8"	3/4"	4 3/8"	28 1/2"x52 1/2"
PC-117-A-3333	33"	3 7/8"	1"	4 7/8"	36"
(RECT) PC-117-A-4049	40"x49"	4"	1"	5"	43"x52"



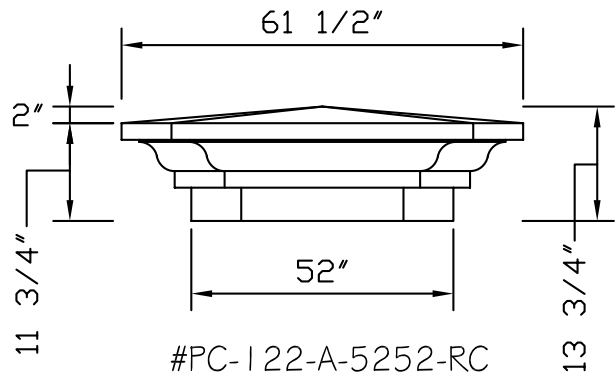
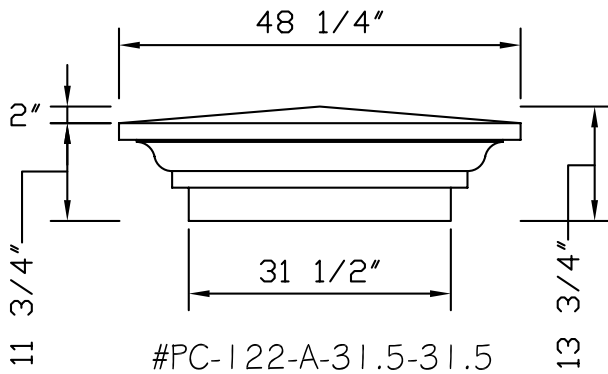
#PC-117-B

ITEM NUMBER	B	TH	W
PC-117-B-23.75-23.75	23 3/4"x23 3/4"	3 3/4"	26 3/4"x26 3/4"
PC-117-B-2525	25"	3 7/8"	28"
PC-117-B-2626	26"	3 5/8"	28 1/2"
(RECT) PC-117-B-2650	26"x50"	3 5/8"	28 1/2"x52 1/2"
PC-117-B-3333	33"	3 7/8"	36"
(RECT) PC-117-B-4059	40"x59"	4"	43"x52"

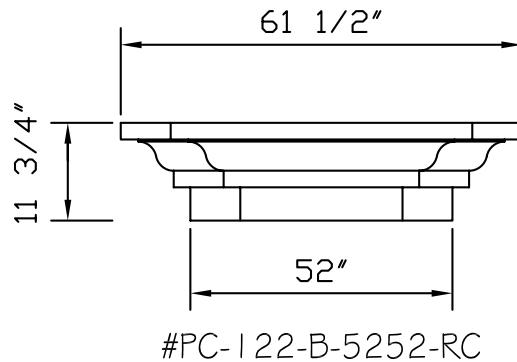
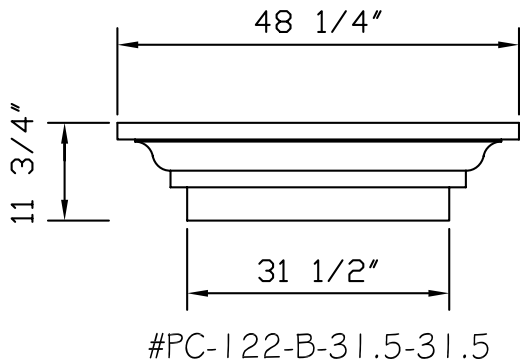


4280 WAYSIDE COURT LILBURN, GA. 30047. (770)921-9788. FAX 921-9910

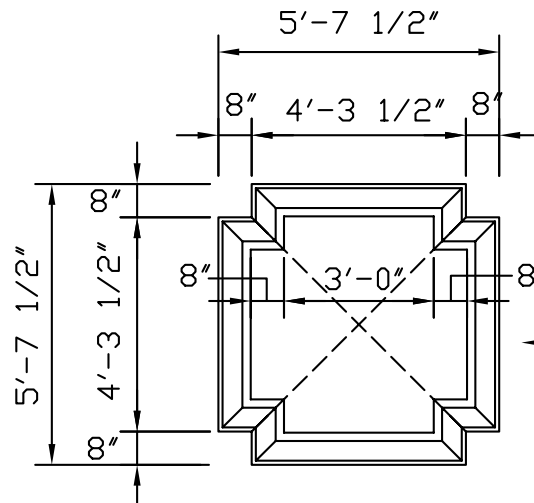
PIER CAPS - #PC-122 SERIES



ITEM NUMBER	B	H	P	TH	W
PC-122-A-31.5-31.5	31 1/2"	11 3/4"	2"	13 3/4"	48 1/4"
PC-122-A-5252-RC	52"	11 3/4"	2"	13 3/4"	61 1/2"



ITEM NUMBER	B	TH	W
PC-122-B-31.5-31.5	31 1/2"	11 3/4"	48 1/4"
PC-122-B-5252-RC	52"	11 3/4"	61 1/2"

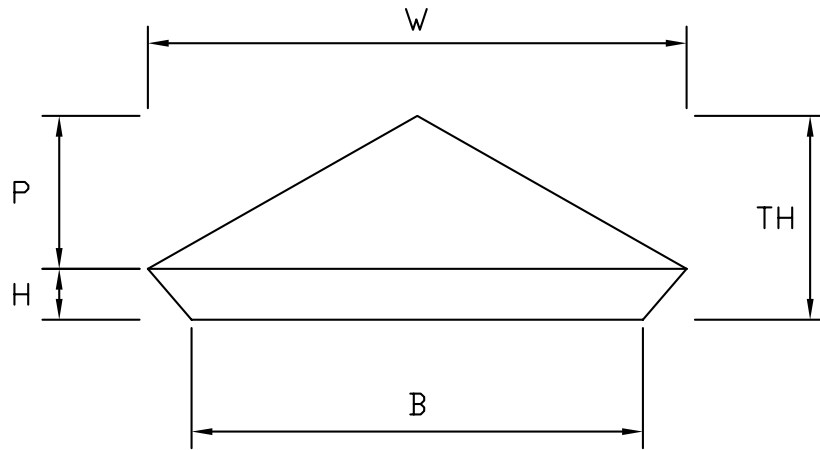


BOTTOM VIEW OF PIER CAPS
#PC-122-A-5252-RC AND
#PC-122-B-5252-RC



4280 WAYSIDE COURT LILBURN, GA. 30047. (770)921-9788. FAX 921-9910

PIER CAPS - #PC-185 SERIES



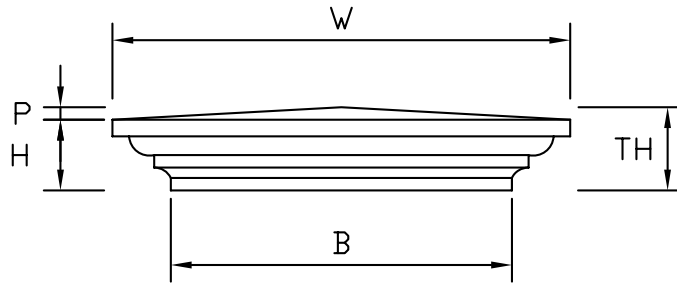
#PC-185-A

ITEM NUMBER	B	H	P	TH	W
PC-185-A-1717	17"	1 1/2"	5 7/8"	7 3/8"	20"
PC-185-A-22.5-22.5	22 1/2"	3/4"	3 1/2"	4 1/4"	24"
PC-185-A-2424	24"	6"	3"	9"	27"
PC-185-A-3131	31"	3 1/2"	10 1/2"	14"	37"



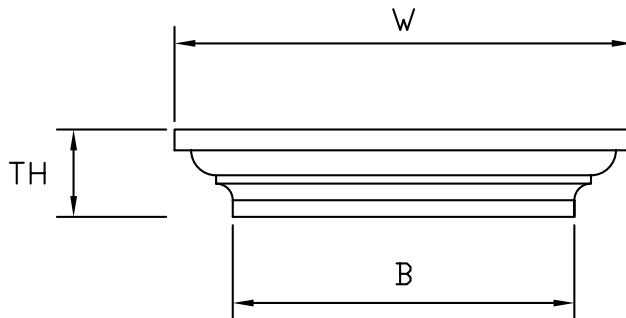
4280 WAYSIDE COURT LILBURN, GA. 30047. (770)921-9788. FAX 921-9910

PIER CAPS - #PC-190 SERIES



#PC-190-A

ITEM NUMBER	B	H	P	TH	W
(RECT)PC-190-A-20.5-28.5	20 1/2"x28 1/2"	4 1/4"	3/4"	5"	27 1/2"x35 1/2"
(RECT)PC-190-A-28.75-40.75	28 3/4"x40 3/4"	5 1/4"	3/4"	6"	36"x48"
(RECT)PC-190-A-1729	17"x29"	5 1/4"	3/4"	6"	24"x36"
PC-190-A-2929	29"	5 1/4"	3/4"	6"	36"



#PC-190-B

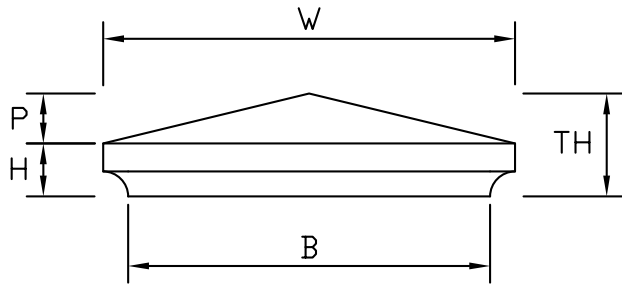
ITEM NUMBER	B	TH	W
(RECT)PC-190-B-20.5-28.5	20 1/2"x28 1/2"	4 1/4"	27 1/2"x35 1/2"
(RECT)PC-190-B-28.75-40.75	28 3/4"x40 3/4"	5 3/8"	36"x48"
(RECT)PC-190-B-1729	17"x29"	5 1/4"	24"x36"
PC-190-B-2929	29"	5 1/4"	36"



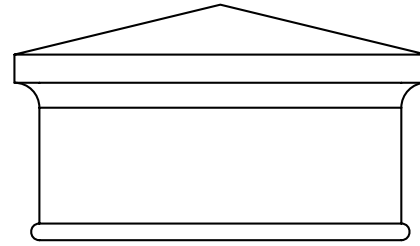
NOTE: All Pier Caps can be fitted with collars if required.
See pages 2-37 thru 2-39 for sizes and examples.

4280 WAYSIDE COURT LILBURN, GA. 30047. (770)921-9788. FAX 921-9910

PIER CAPS - #PC-255 SERIES

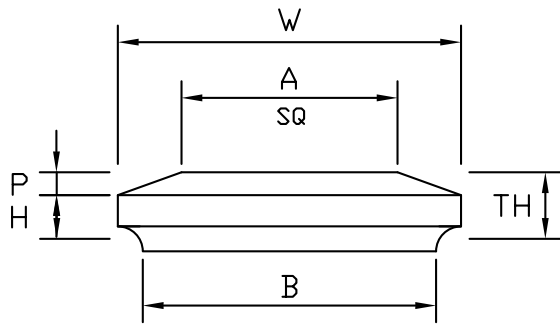


#PC-255-A

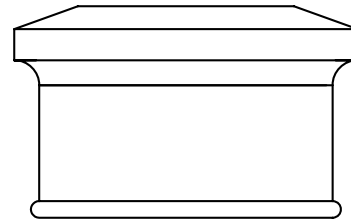


SAMPLE PIER CAP
WITH COLLAR

ITEM NUMBER	B	H	P	TH	W
PC-255-A-2020	20"	4"	2 1/2"	6 1/2"	23 1/2"
PC-255-A-2424	24"	4"	2 7/8"	6 7/8"	27 1/2"
PC-255-A-3333	33"	4"	4"	8"	36"



#PC-255-D



SAMPLE PIER CAP
WITH COLLAR

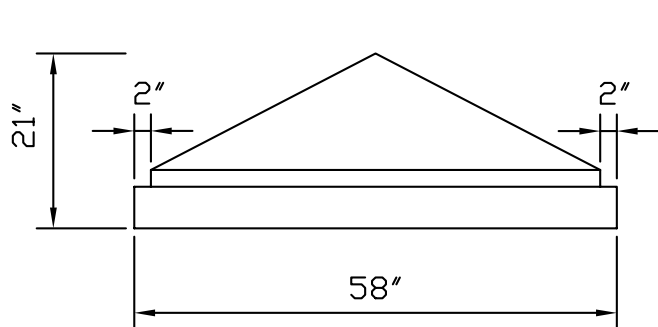
ITEM NUMBER	A	B	H	P	TH	W
PC-255-D-2020	14"	20"	4"	1"	5"	23 1/2"
PC-255-D-2424	18"	24"	4"	1"	5"	27 1/2"
PC-255-D-3333	27"	33"	4"	1"	5"	36"



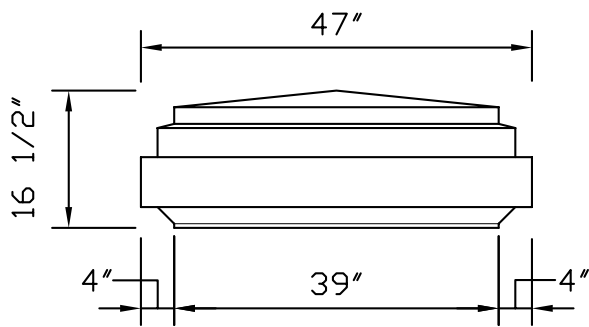
NOTE: All Pier Caps can be fitted with collars if required.
See pages 2-37 thru 2-39 for sizes and examples.

4280 WAYSIDE COURT LILBURN, GA. 30047. (770)921-9788. FAX 921-9910

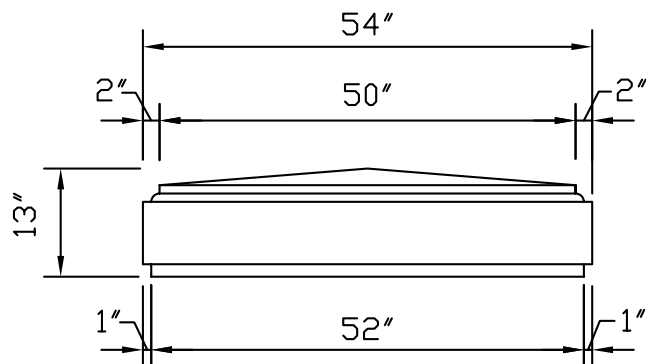
MISC. SQUARE PIER CAPS



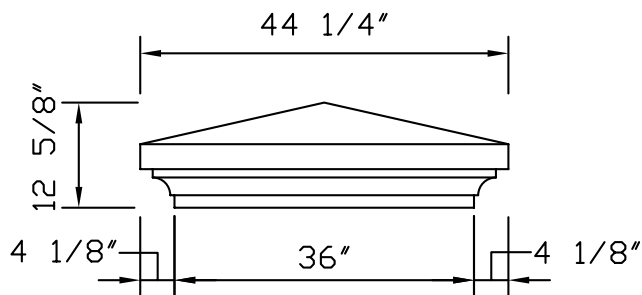
PC-132-A-5858



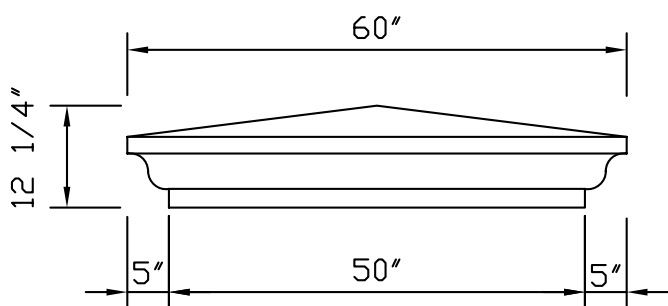
PC-163-A-3939



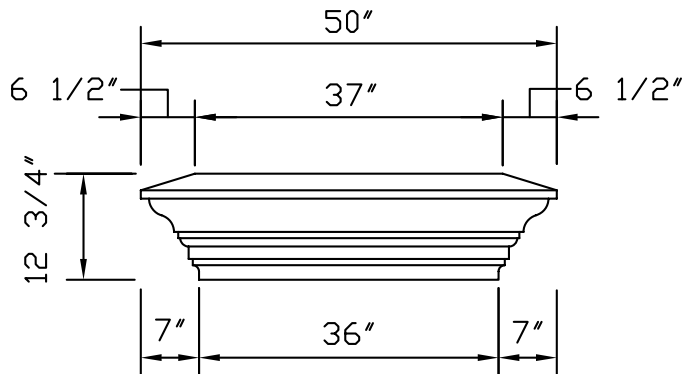
PC-155-A-5252



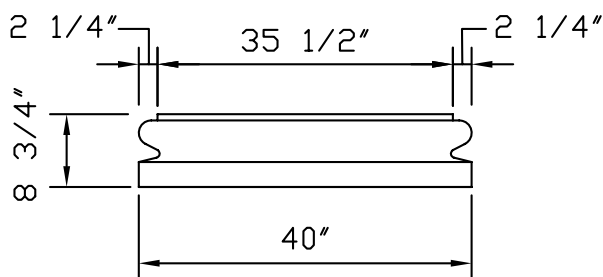
PC-134-A-3636



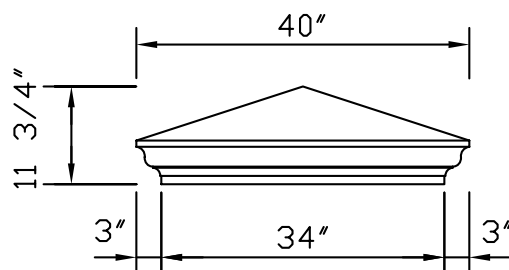
PC-121-A-5050



PC-129-D-3636



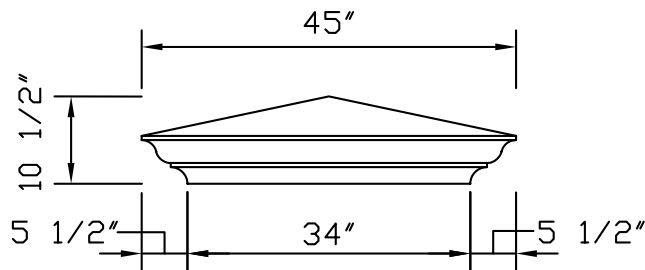
PC-147-B-35.5-35.5



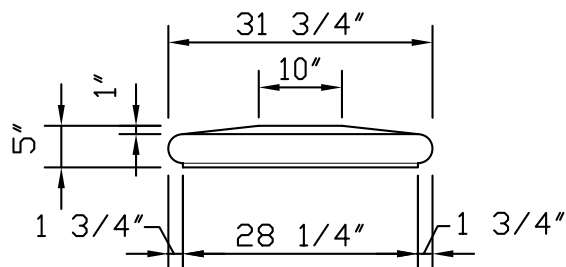
PC-194-A-3434



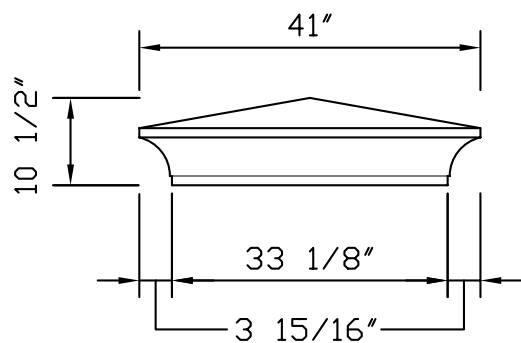
MISC. SQUARE PIER CAPS



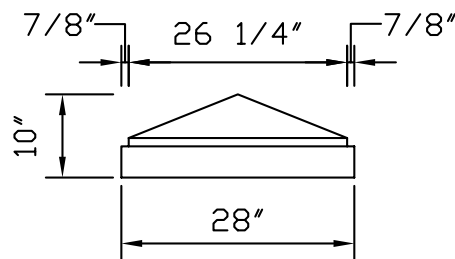
PC-124-A-3434



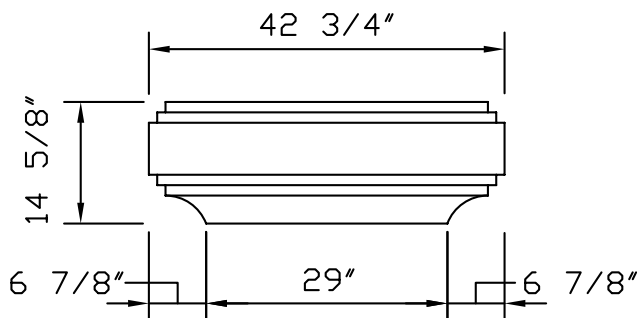
PC-C1-C2



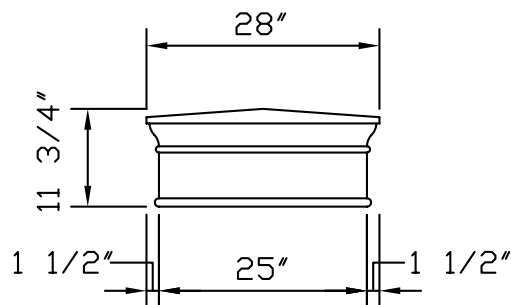
PC-125-3333



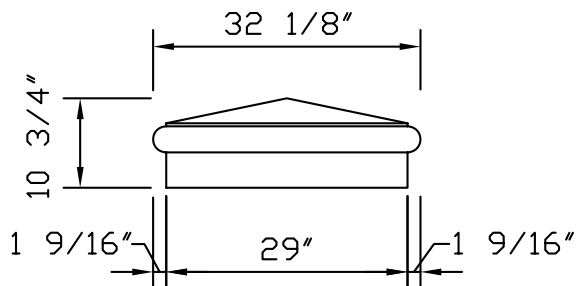
PC-119-A-2828



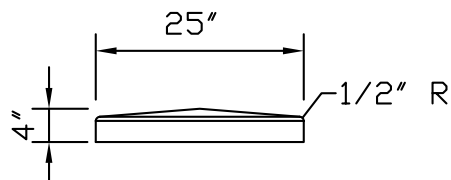
PC-187-A-38.75-38.75



PC-165-A-2525



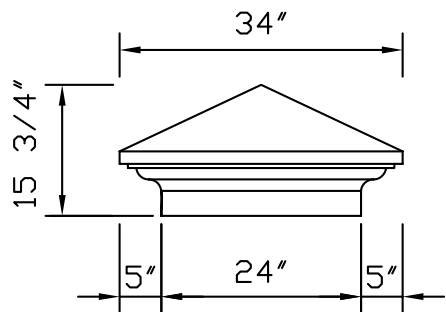
PC-118-A-2929



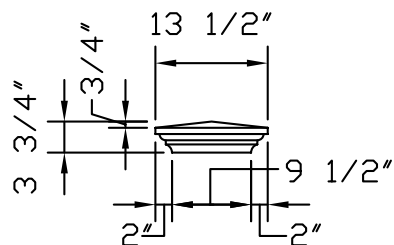
PC-256-A-2525



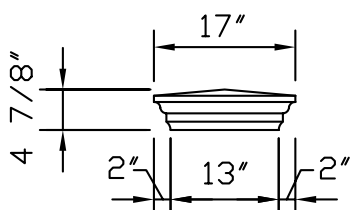
MISC. SQUARE PIER CAPS



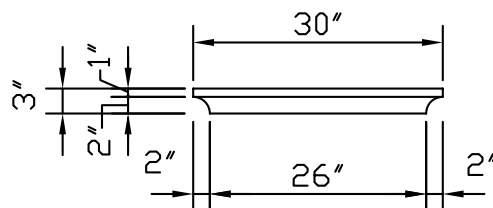
PC-130-A-2424



PC-178-A-9.5-9.5

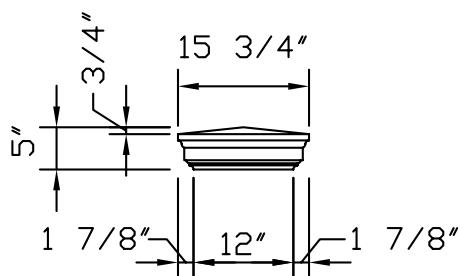


PC-175-A-1313



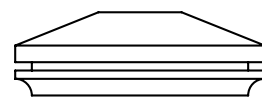
PC-257-2626

PC-257-2626 Can be paired with
PC-106-D-3030 to make one Pier Cap.
See below

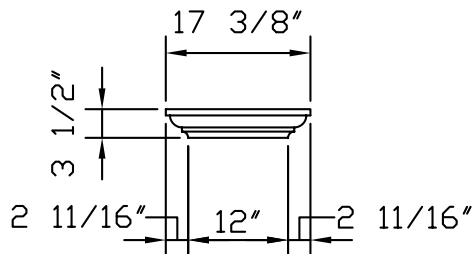


PC-109-A-1212

PC-106-D-3030



PC-257-2626

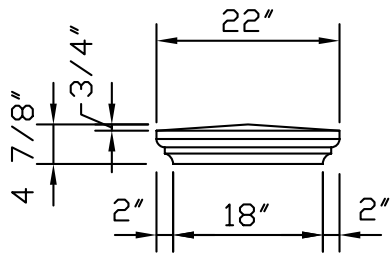


PC-265

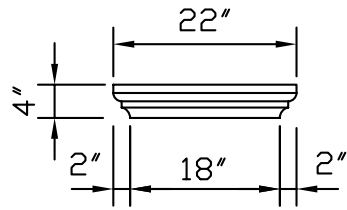


4280 WAYSIDE COURT LILBURN, GA. 30047. (770)921-9788. FAX 921-9910

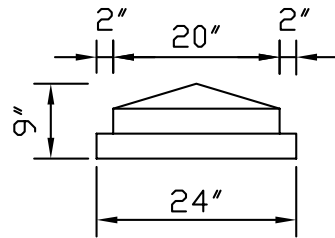
MISC. RECTANGLE PIER CAPS



PC-179-1826

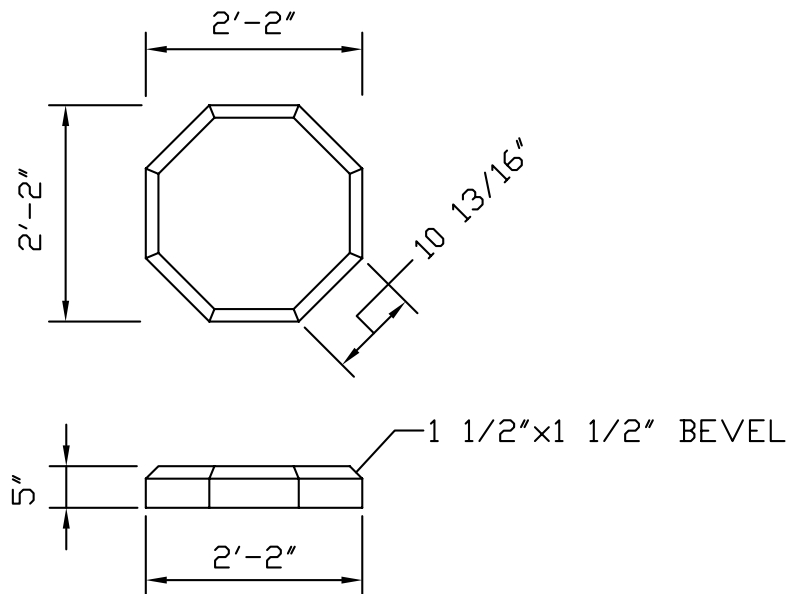


PC-179-B-1832



PC-237-A-2442

MISCELLANEOUS SHAPES

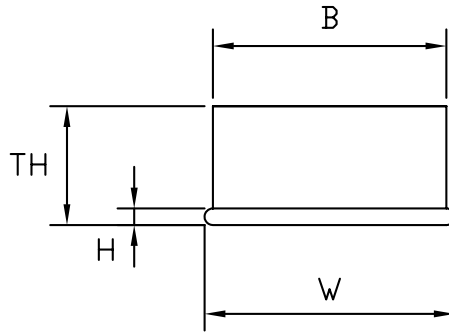


PC-208



4280 WAYSIDE COURT LILBURN, GA. 30047. (770)921-9788. FAX 921-9910

PIER CAP COLLARS

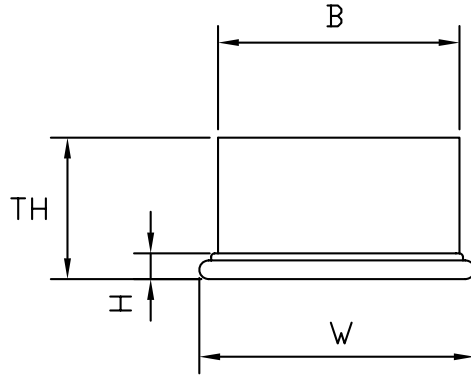


PIER CAP COLLAR

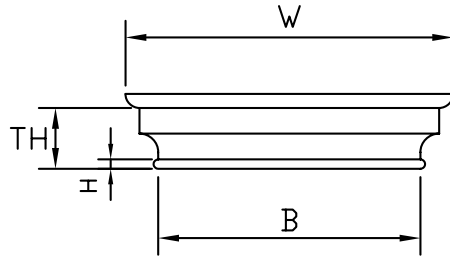
ITEM NUMBER	B	H	TH	W
PC-102-C-1212	12"	1"	7 3/4"	13"
PC-102-C-1616	16"	1"	7 3/4"	17"
PC-102-C-1818	18"	1"	5 3/4"	19"
PC-102-C-2075	20 3/4"	1"	8 1/4"	21 3/4"
PC-102-C-2424	24"	1"	7 3/4"	25"
PC-102-C-2626	26"	1"	7 3/4"	27"
PC-102-C-2929	29"	1"	7 3/4"	30"
PC-102-C-3636	36"	1"	9 5/8"	37"
PC-102-C-4848	48"	1"	9 5/8"	49"
PC-103-C-1212	12"	1/2"	2 3/4"	12 1/2"
PC-103-C-2323	23"	1"	8"	24"
PC-103-C-2424	24"	1/2"	8"	24 1/2"
PC-103-C-3030	30"	1"	8"	31"
PC-103-C-3737	37"	1 1/4"	15"	38 1/4"
PC-107-C-25.5-25.5	25 1/2"	5/8"	9"	26 1/8"
PC-107-C-2828	28"	5/8"	8 3/4"	28 5/8"
PC-108-C-1616	16"	1/2"	6 1/2"	16 1/2"
PC-108-C-2020	20"	1/2"	8 1/2"	20 1/2"
PC-108-C-2424	24"	1 1/4"	8"	25 1/4"
PC-112-C-37.5-37.5	37 1/2"	2"	15"	38 5/8"
PC-124-C-3333	33"	1"	12"	34"
PC-134-C-3434	34"	1"	11"	35"
(RECT) PC-102-C-1216.5	12"x16 1/2"	1"	7 3/4"	13"x17 1/2"
(RECT) PC-102-C-1220.5	12"x20 1/2"	1"	7 3/4"	13"x21 1/2"
(RECT) PC-102-C-2152	20 3/4"x51 3/4"	1"	7 3/4"	25"
(RECT) PC-102-C-2432	24"x32"	1"	7 3/4"	25"x33"
(RECT) PC-102-C-3326	33"x26"	1"	7 3/4"	34"x27"
(RECT) PC-107-C-27.5-56.5	27 1/2"x56 1/2"	1"	9"	28 1/2"x57 1/2"
(RECT) PC-206-C-2436	24"x36"	7/8"	7 5/8"	24 7/8"x36 7/8"



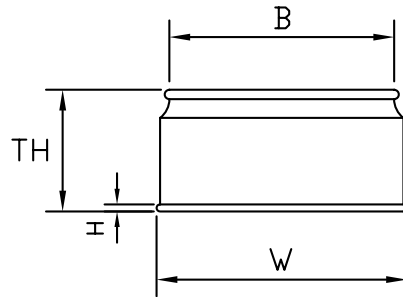
PIER CAP COLLARS



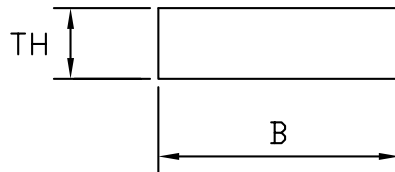
ITEM NUMBER	B	H	TH	W
PC-104-C-2929	29"	1"	8 1/2"	31"



ITEM NUMBER	B	H	TH	W
PC-107-2828-C	28"	1 1/2"	8"	25"



ITEM NUMBER	B	H	TH	W
PC-108-C-2626	24"	3/4"	13"	26 3/4"



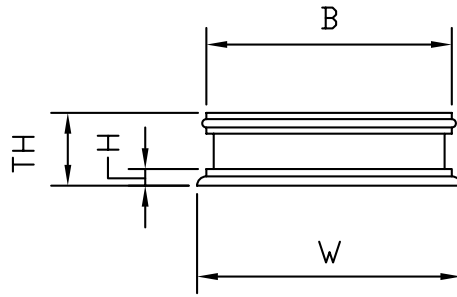
ITEM NUMBER	B	TH
PC-106-C-2828	29"	8 1/2"



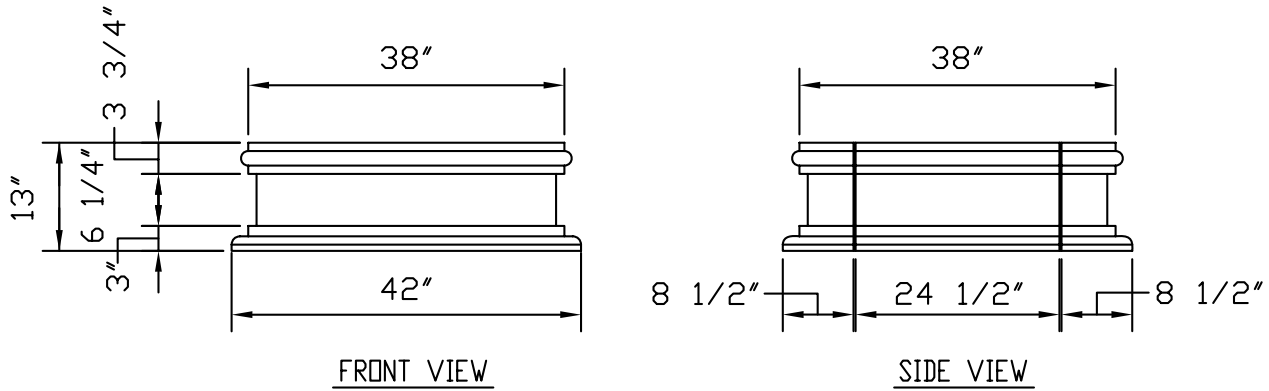
OLDE WORLD
CAST STONE

4280 WAYSIDE COURT LILBURN, GA. 30047. (770)921-9788. FAX 921-9910

PIER CAP COLLARS



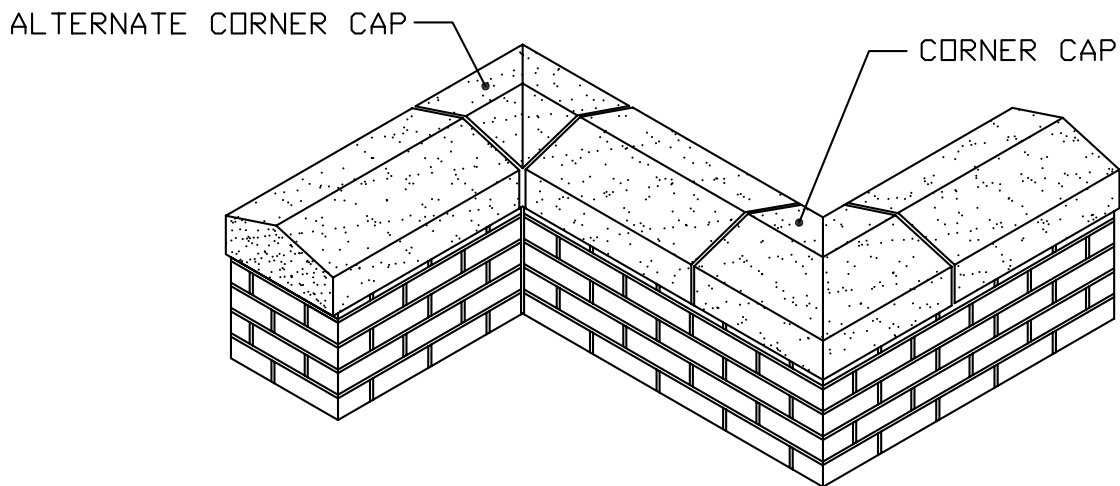
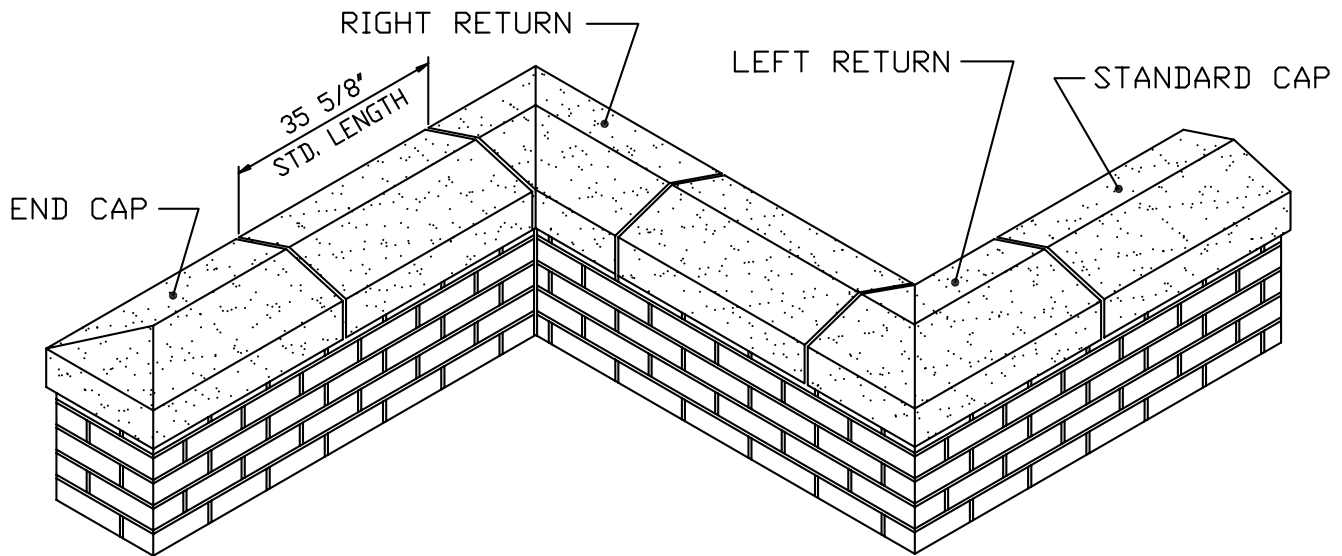
ITEM NUMBER	B	H	TH	W
PC-114-C-29.5-29.5	29 1/2"	2"	8 3/8"	31 3/4"
PC-114-C-3535	35"	2 1/2"	10"	38 1/4"



PC-114-C-3838



GABLE PITCH WALL COPING

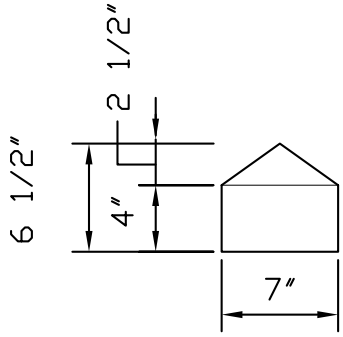


1. ALL WALL COPING, REGARDLESS OF THE PROFILE CAN BE FURNISHED AS A STANDARD CAP, AN END CAP, RIGHT OR LEFT RETURN CAP AND CORNER CAPS.
2. CHECK INDIVIDUAL MOLD NUMBERS FOR AVAILABILITY OF COMPONENT PARTS. AN UPCHARGE WILL BE ASSESSED FOR FABRICATION OF UNAVAILABLE MOLDS. FABRICATION LEAD TIME FOR NEW MOLDS WILL BE DETERMINED WHEN THE ORDER IS PLACED.
3. ALL STANDARD AND RETURN CAPS ARE FURNISHED IN TYPICAL $35 \frac{5}{8}$ " LENGTHS. MASON TO FIELD CUT AS REQUIRED.
4. WALL COPING'S IN THIS SECTION ARE COMPLIMENTARY TO PC-105 PIER CAPS SERIES.

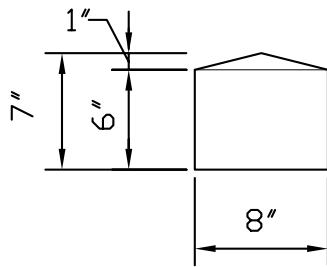


4280 WAYSIDE COURT LILBURN, GA. 30047. (770)921-9788. FAX 921-9910

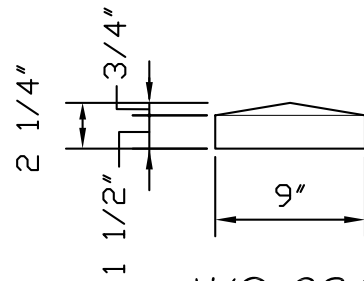
WALL COPING



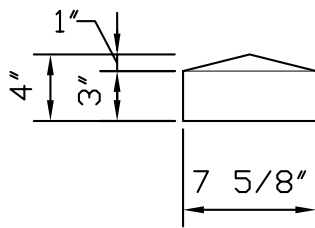
WC-222
(4 COR)



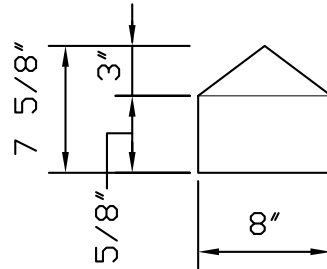
WC-300
(END)



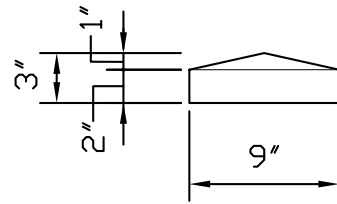
WC-636
(END)



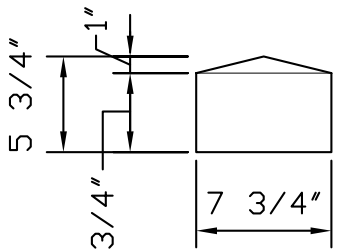
WC-158



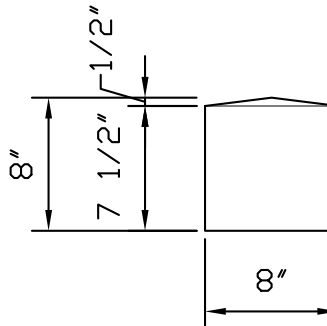
WC-641
(DBL DC)



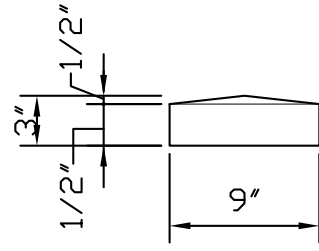
WC-02-203
(END, LRT, RRT)



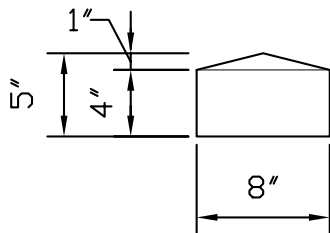
WC-294
(END)



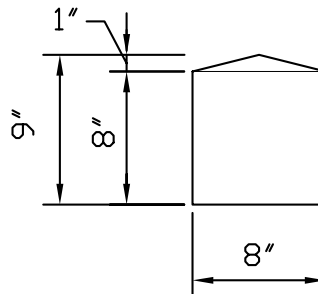
WC-364



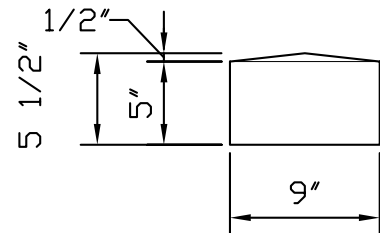
WC-155
(END, COR)



WC-370



WC-226
(END, LRT, RRT)



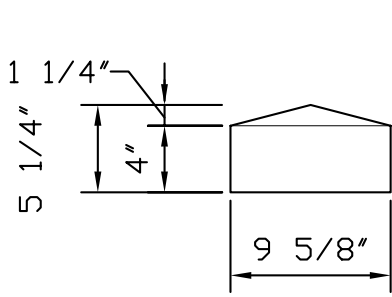
WC-02-209
(END, LRT, RRT)



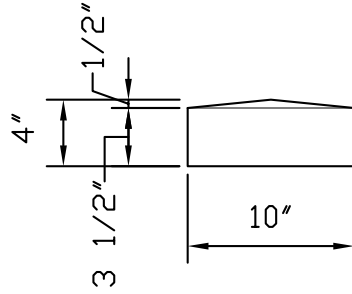
ABBREVIATED TERMS:
STR-STRAIGHT, LRT-LEFT RETURN, RRT-RIGHT RETURN
COR-CORNER, ALTCOR-ALTERNATE CORNER, END-END CAP

4280 WAYSIDE COURT LILBURN, GA. 30047. (770)921-9788. FAX 921-9910

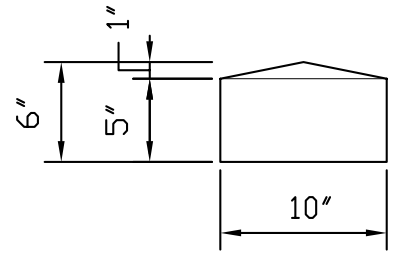
WALL COPING



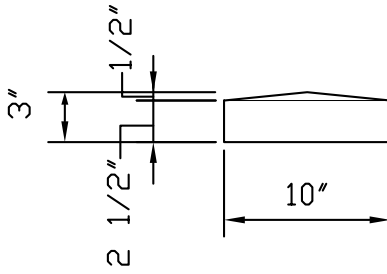
WC-602
(LRT, RRT)



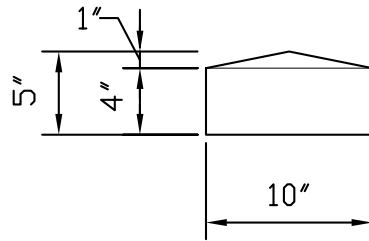
WC-02-217



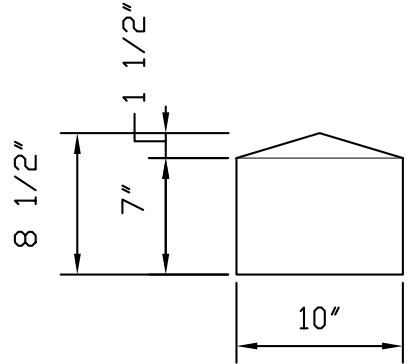
WC-196
(IDC)



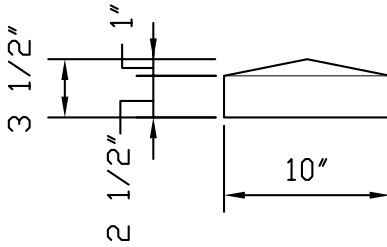
WC-02-1038



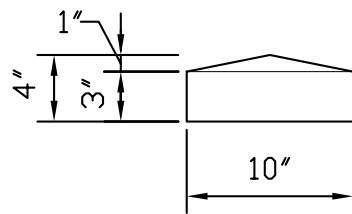
WC-719
(END)



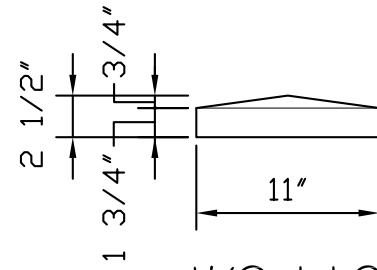
WC-368



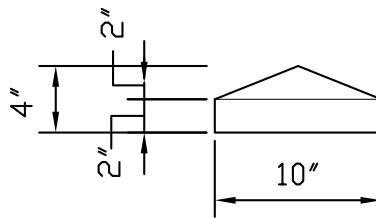
WC-631
(END, RRT)



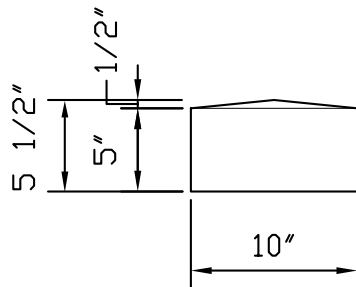
WC-230
(RRT, LRT, SP)



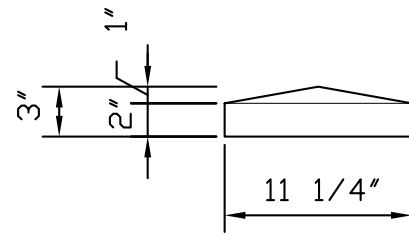
WC-110
(END, COR)



WC-266
(END)



WC-119
(END)



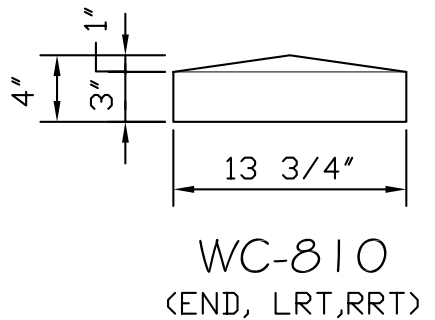
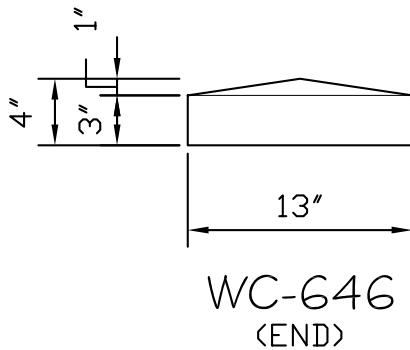
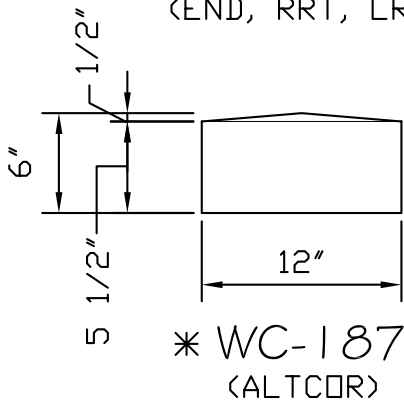
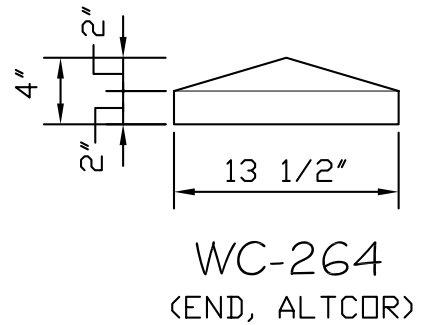
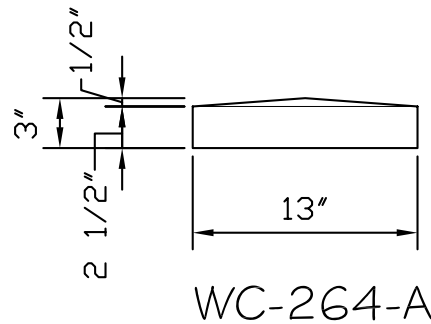
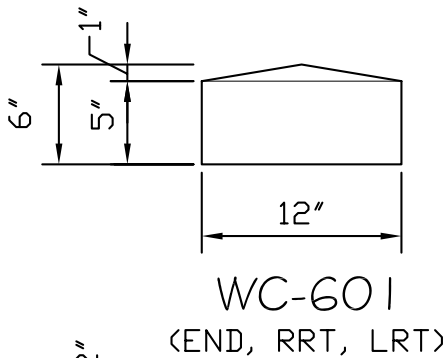
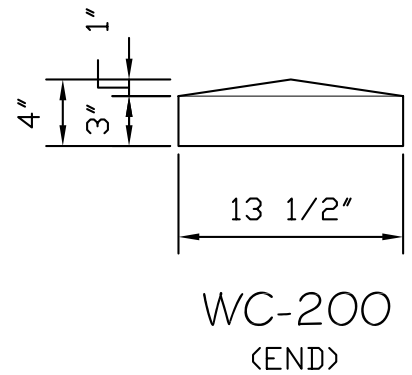
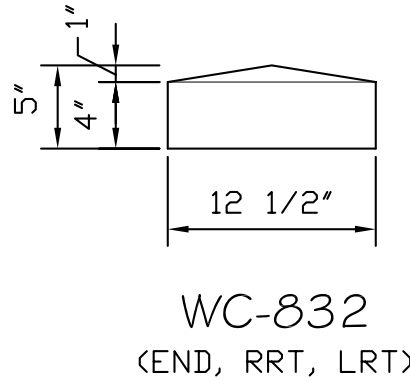
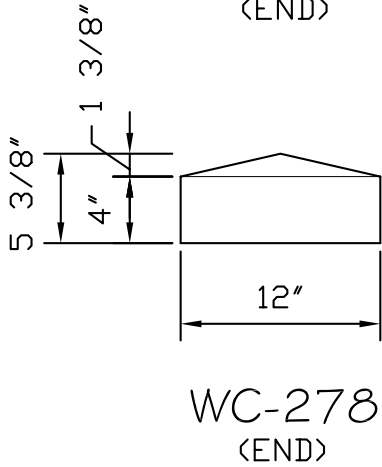
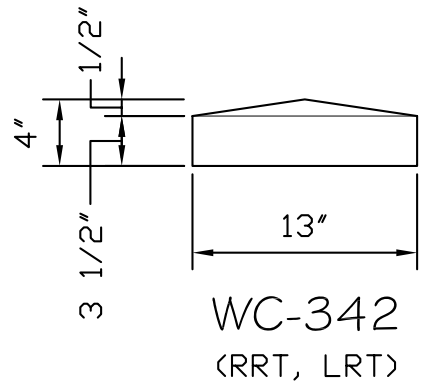
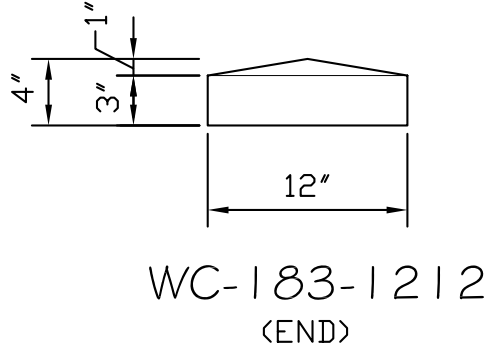
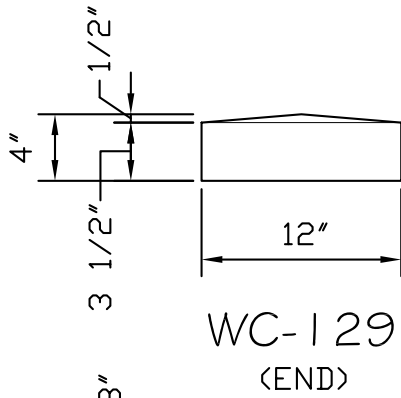
WC-825



ABBREVIATED TERMS:
STR-STRAIGHT, LRT-LEFT RETURN, RRT-RIGHT RETURN
COR-CORNER, ALTCOR-ALTERNATE CORNER, END-END CAP

4280 WAYSIDE COURT LILBURN, GA. 30047. (770)921-9788. FAX 921-9910

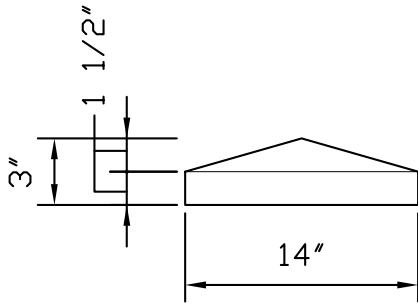
WALL COPING



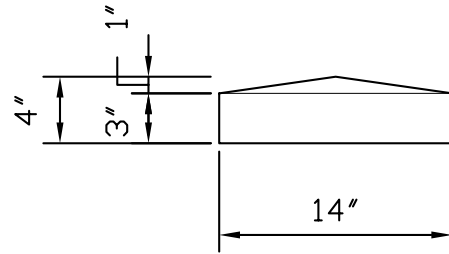
ABBREVIATED TERMS:
STR-STRAIGHT, LRT-LEFT RETURN, RRT-RIGHT RETURN
COR-CORNER, ALTCOR-ALTERNATE CORNER, END-END CAP

4280 WAYSIDE COURT LILBURN, GA. 30047. (770)921-9788. FAX 921-9910

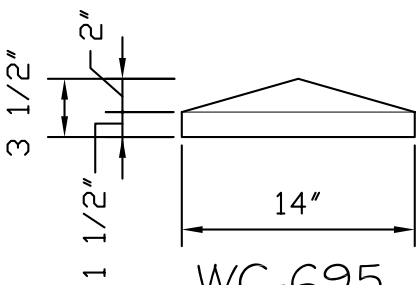
WALL COPING



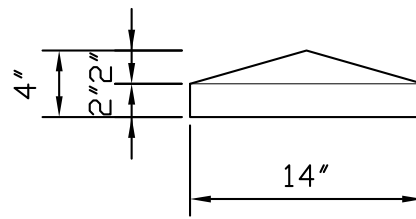
WC-283



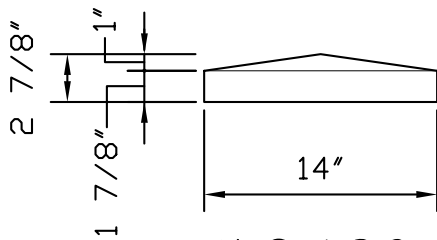
WC-276
(END)



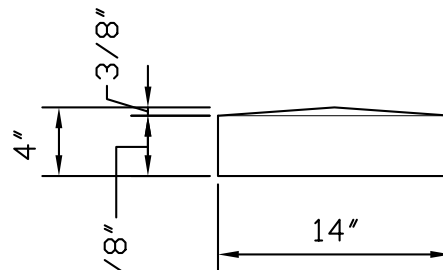
WC-695



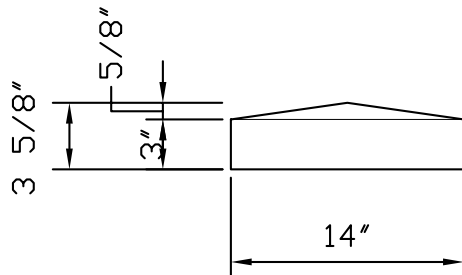
WC-274
(END)



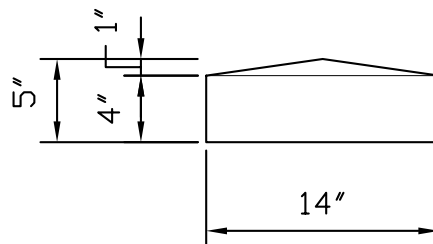
WC-136



WC-160



WC-637



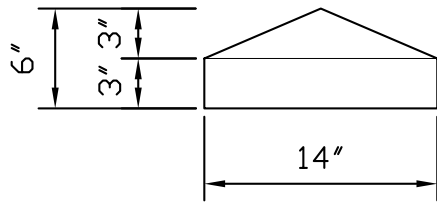
WC-708
(END, LRT, RRT)



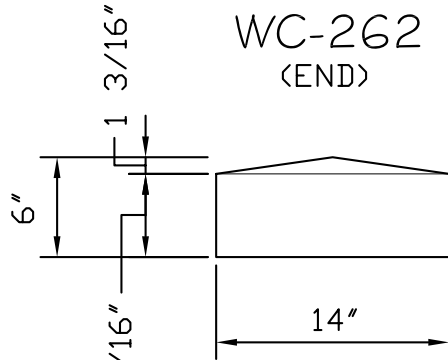
ABBREVIATED TERMS:
 STR-STRAIGHT, LRT-LEFT RETURN, RRT-RIGHT RETURN
 COR-CORNER, ALTCOR-ALTERNATE CORNER, END-END CAP

4280 WAYSIDE COURT LILBURN, GA. 30047. (770)921-9788. FAX 921-9910

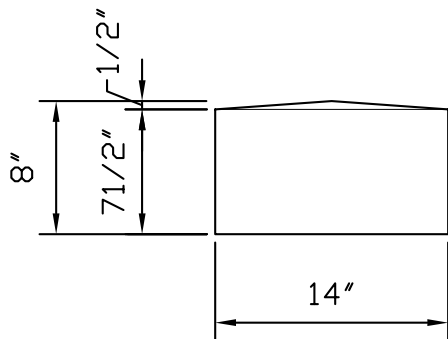
WALL COPING



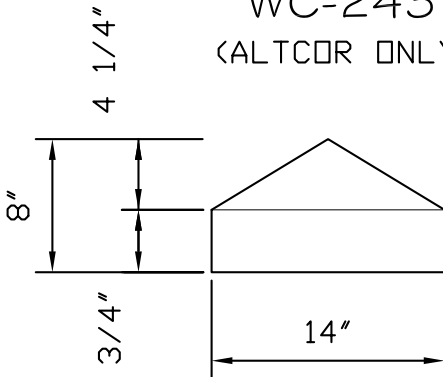
WC-262
(END)



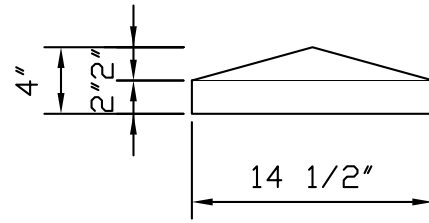
WC-234
(END)



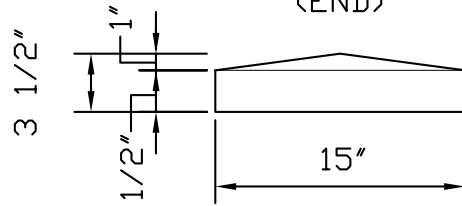
WC-243
(ALTCOR ONLY)



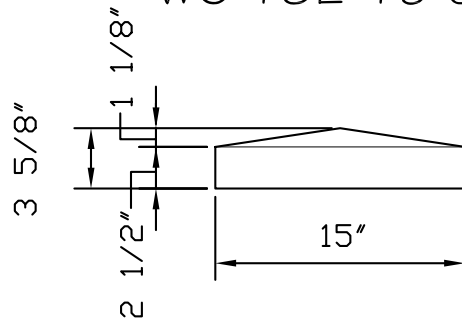
WC-805-END
(END)



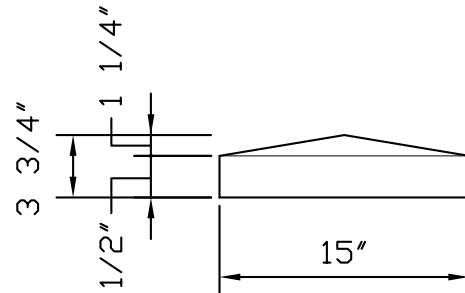
WC-698
(END)



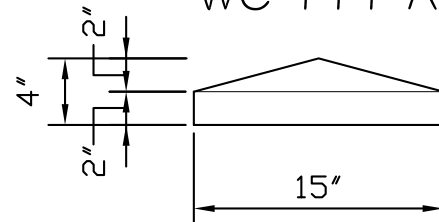
WC-132-15-END
WC-132-15-STR



WC-267-E, WC-267-F



WC-1111-A



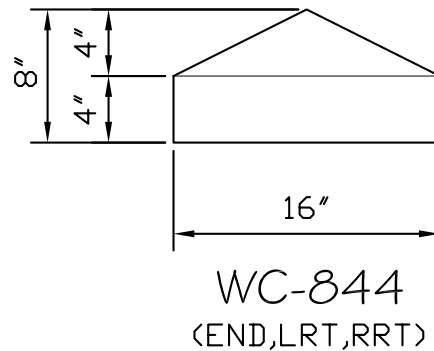
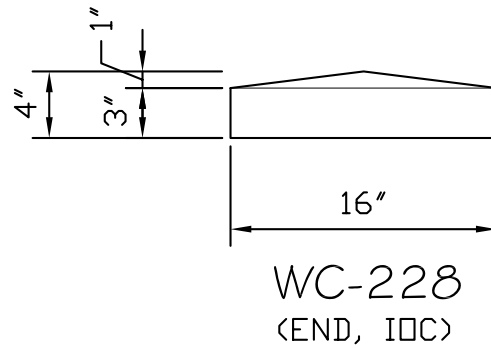
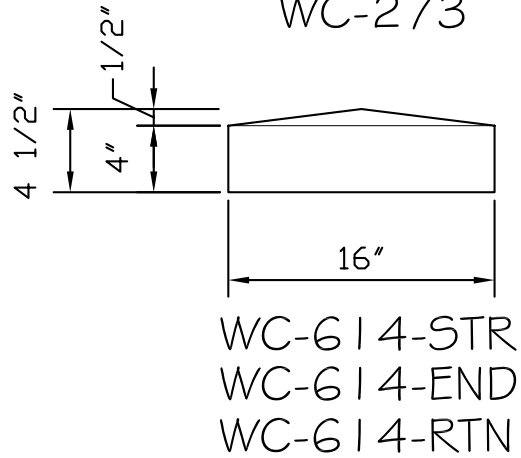
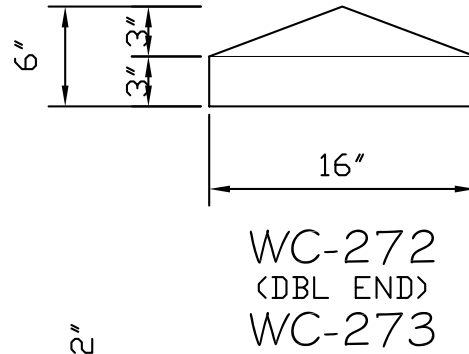
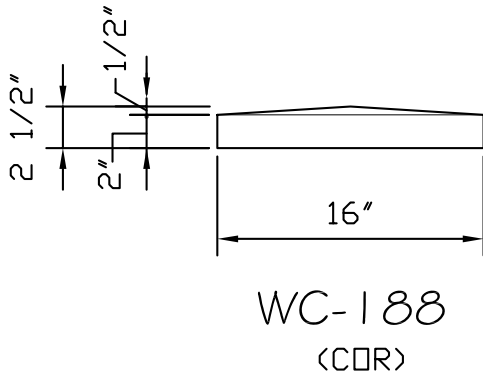
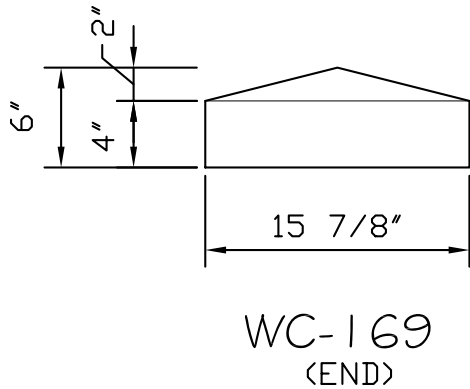
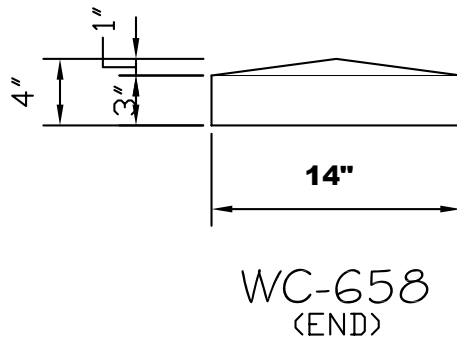
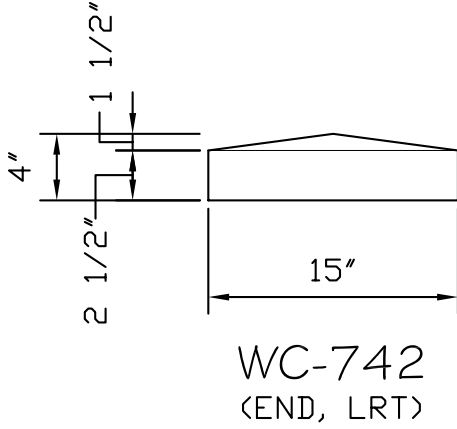
WC-699
(RRT, LRT)



ABBREVIATED TERMS:
STR-STRAIGHT, LRT-LEFT RETURN, RRT-RIGHT RETURN
COR-CORNER, ALTCOR-ALTERNATE CORNER, END-END CAP

4280 WAYSIDE COURT LILBURN, GA. 30047. (770)921-9788. FAX 921-9910

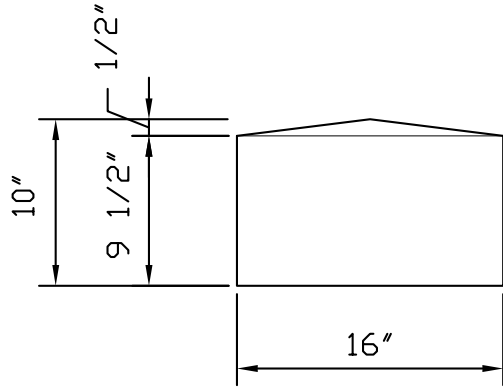
WALL COPING



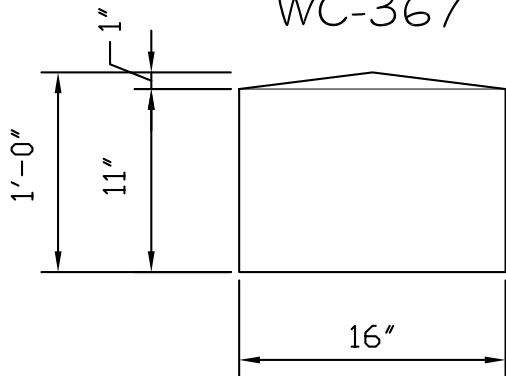
ABBREVIATED TERMS:
STR-STRAIGHT, LRT-LEFT RETURN, RRT-RIGHT RETURN
COR-CORNER, ALTCOR-ALTERNATE CORNER, END-END CAP

4280 WAYSIDE COURT LILBURN, GA. 30047. (770)921-9788. FAX 921-9910

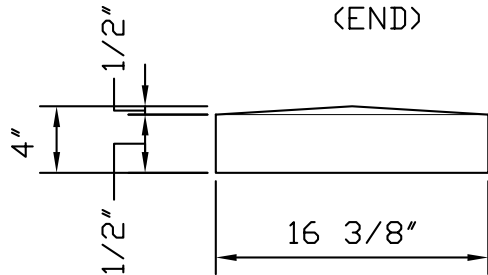
WALL COPING



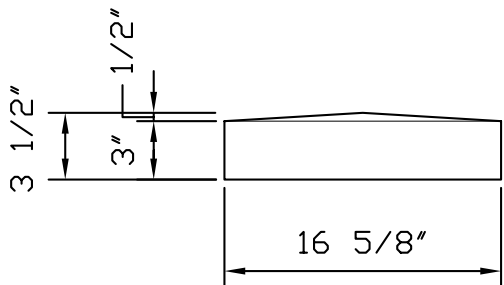
WC-367



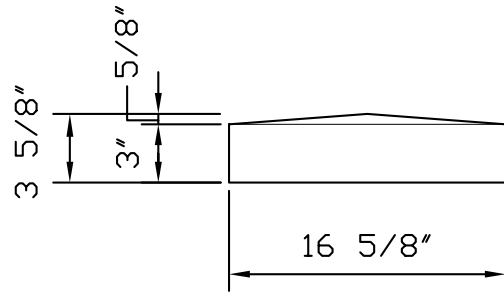
WC-183-1612
(END)



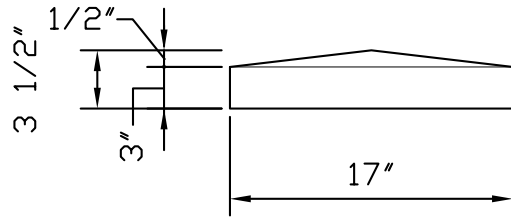
WC-247



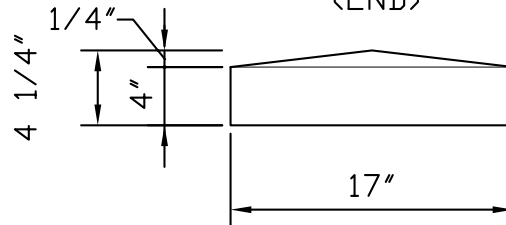
WC-645



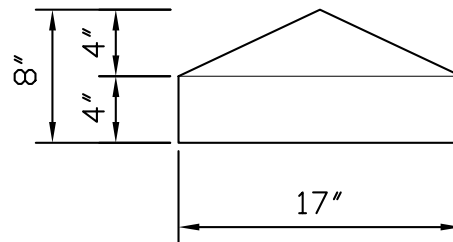
WC-115-1748-WR



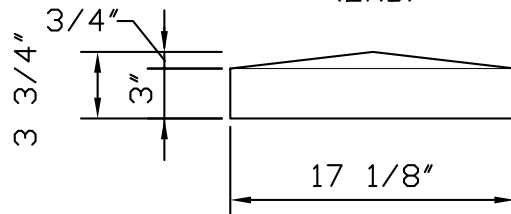
WC-02-208
(END)



WC-621
(END)



WC-776
(END)



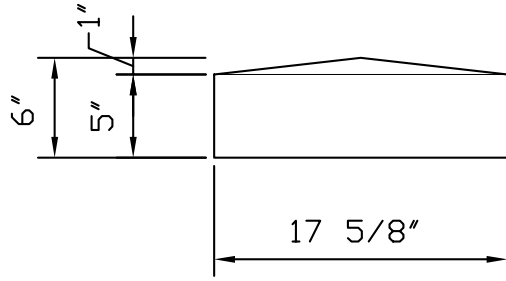
WC-689
(LRT, RRT)



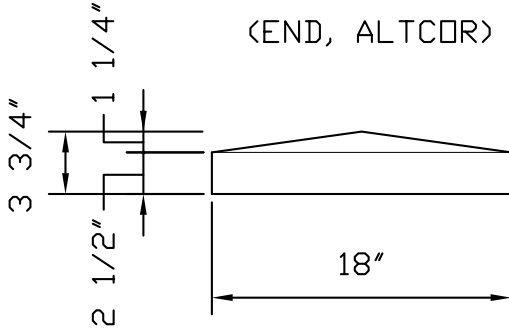
ABBREVIATED TERMS:
STR-STRAIGHT, LRT-LEFT RETURN, RRT-RIGHT RETURN
COR-CORNER, ALTCOR-ALTERNATE CORNER, END-END CAP

4280 WAYSIDE COURT LILBURN, GA. 30047. (770)921-9788. FAX 921-9910

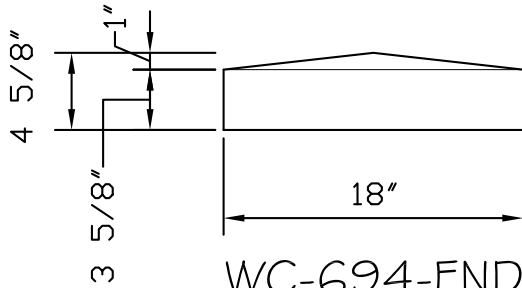
WALL COPING



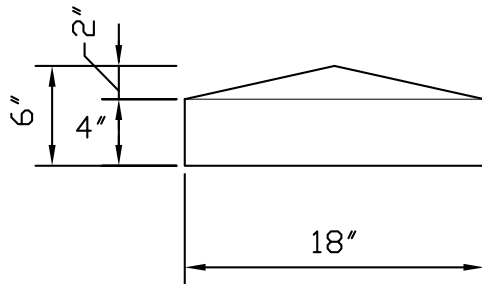
WC-201
(END, ALTCOR)



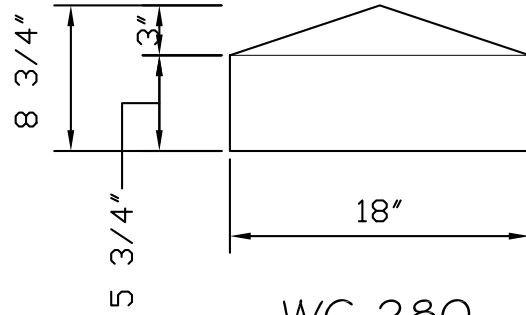
WC-111-1836



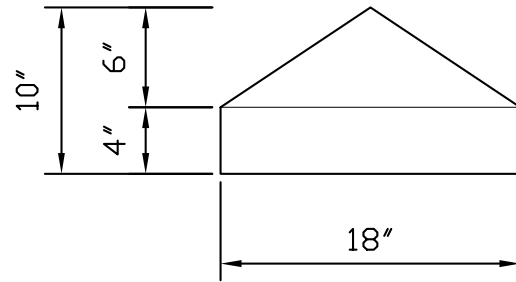
WC-694-END
WC-694-RTN



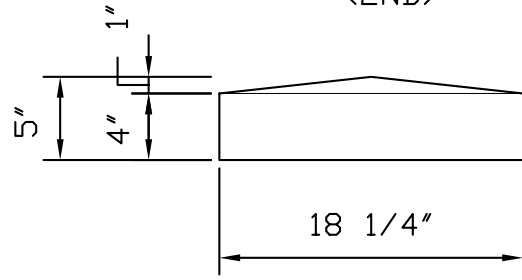
WC-123-1836
(END, ALTCOR, IDC)



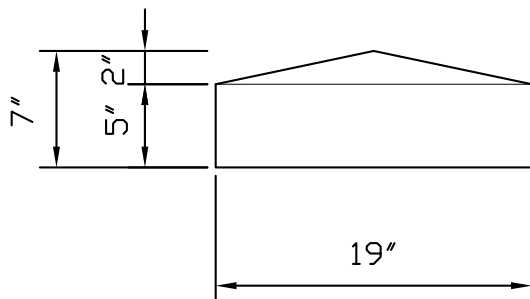
WC-280



WC-679
(END)



WC-372
(END)



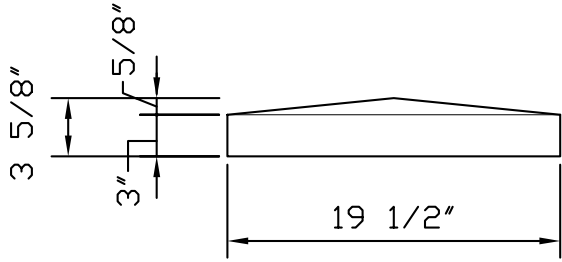
WC-176
(COR)



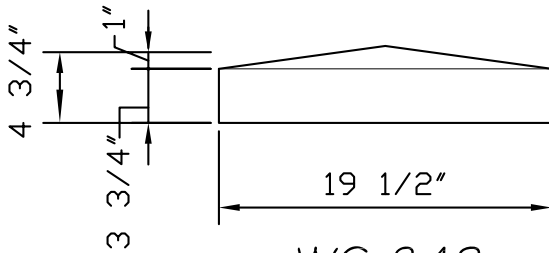
ABBREVIATED TERMS:
STR-STRAIGHT, LRT-LEFT RETURN, RRT-RIGHT RETURN
COR-CORNER, ALTCOR-ALTERNATE CORNER, END-END CAP

4280 WAYSIDE COURT LILBURN, GA. 30047. (770)921-9788. FAX 921-9910

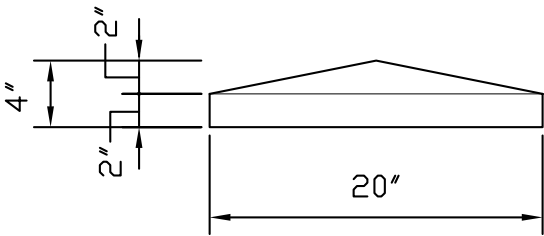
WALL COPING



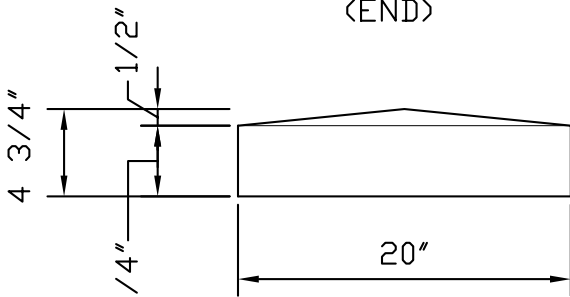
WC-633
(END)



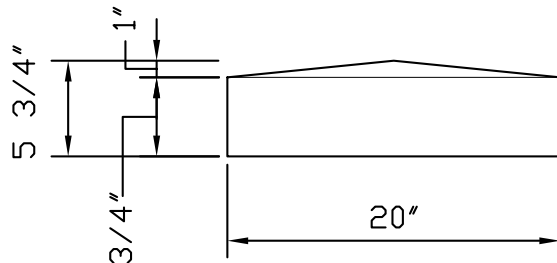
WC-843



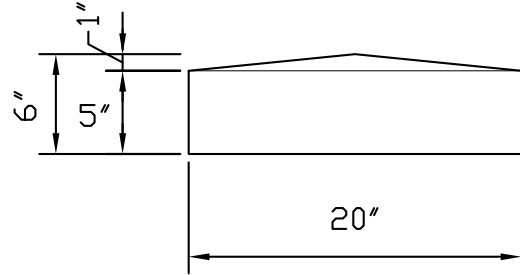
WC-260
(END)



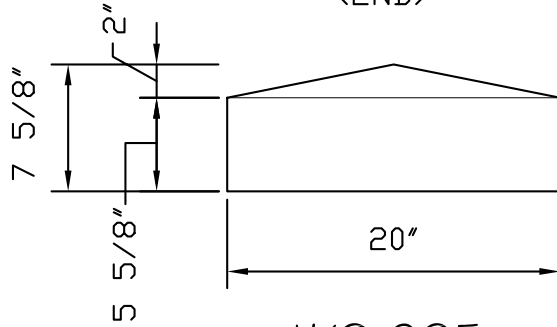
WC-158-4.75
(END)



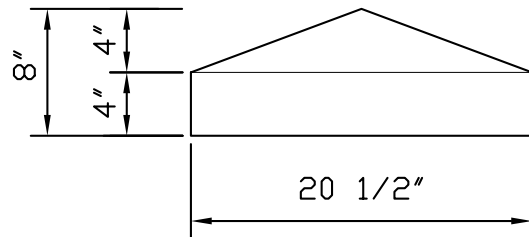
WC-251
(END)



WC-221
(END)



WC-205
(END, ALTCOR, 135°)



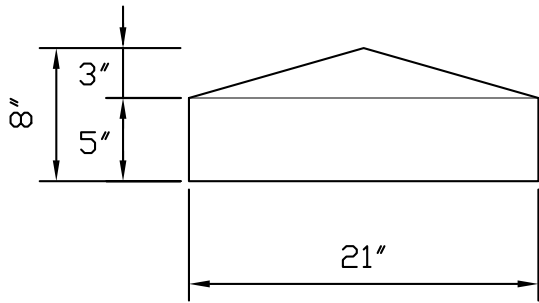
WC-775
(END, RRT, LRT)



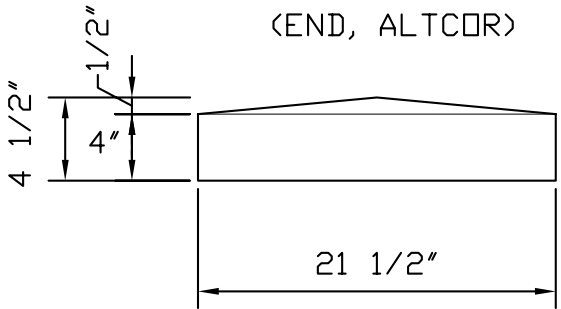
ABBREVIATED TERMS:
STR-STRAIGHT, LRT-LEFT RETURN, RRT-RIGHT RETURN
COR-CORNER, ALTCOR-ALTERNATE CORNER, END-END CAP

4280 WAYSIDE COURT LILBURN, GA. 30047. (770)921-9788. FAX 921-9910

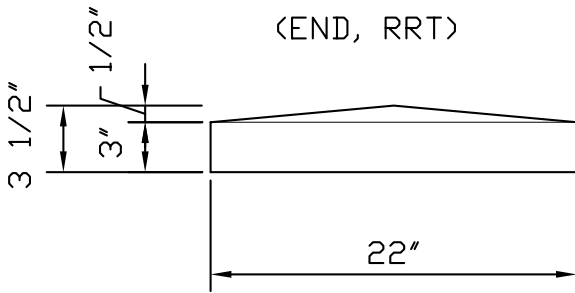
WALL COPING



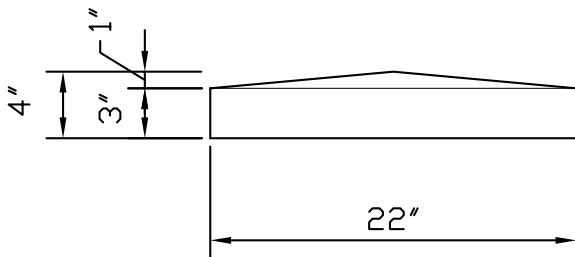
WC-217
(END, ALTCOR)



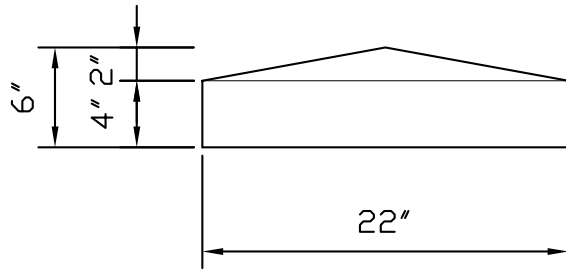
WC-668
(END, RRT)



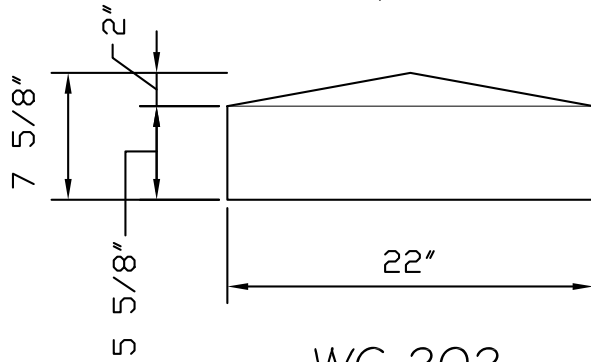
WC-704
(END)



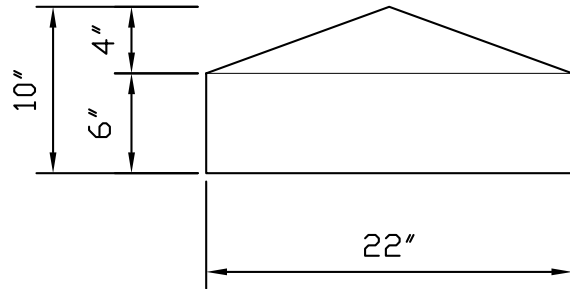
WC-789
(END, RRT)



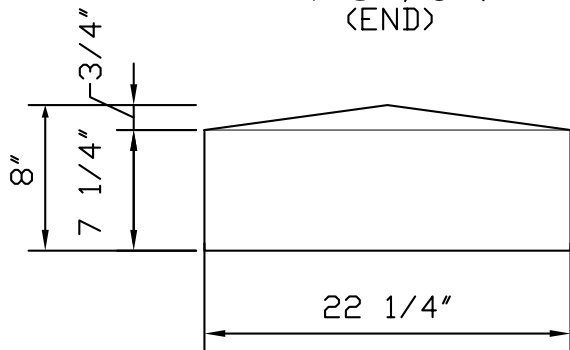
WC-140
(END, COR)



WC-202
(END)



WC-794
(END)



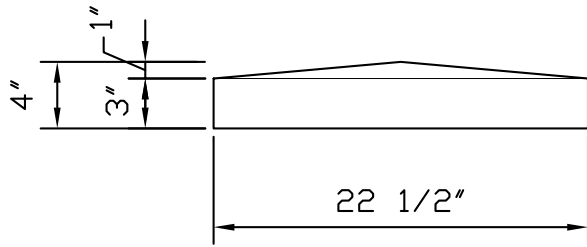
WC-161
(END, ALTCOR)



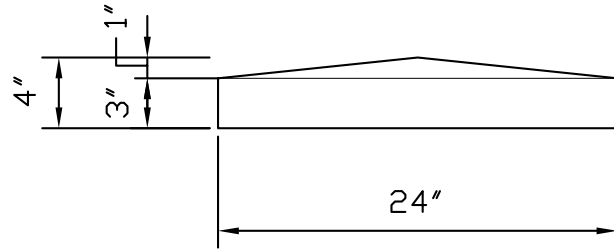
ABBREVIATED TERMS:
STR-STRAIGHT, LRT-LEFT RETURN, RRT-RIGHT RETURN
COR-CORNER, ALTCOR-ALTERNATE CORNER, END-END CAP

4280 WAYSIDE COURT LILBURN, GA. 30047. (770)921-9788. FAX 921-9910

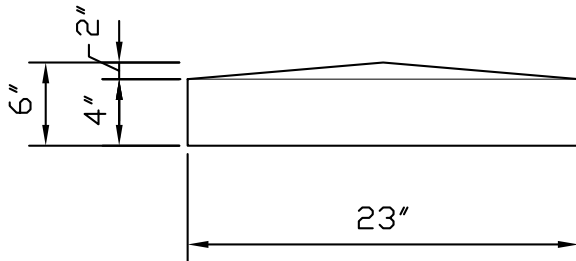
WALL COPING



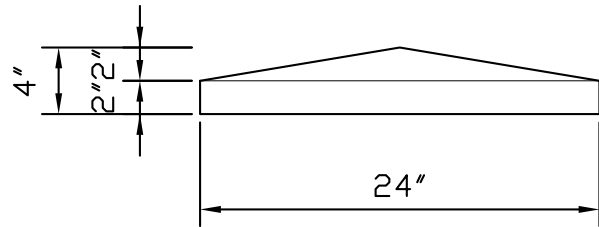
WC-765
(END)



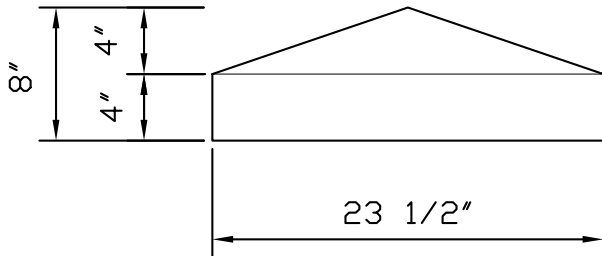
WC-799
(END)



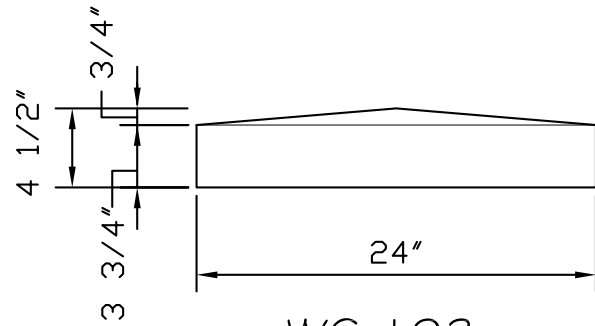
WC-818
(END, RTN)



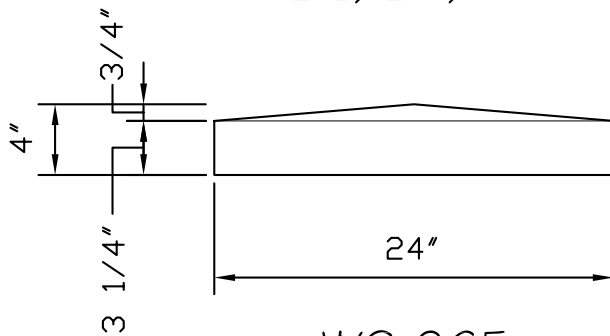
WC-259



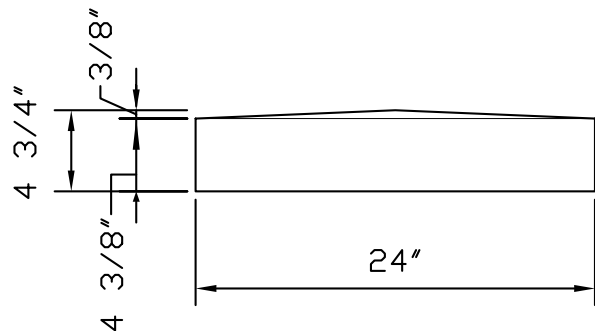
WC-772
(END, LRT, RRT)



WC-193
(END, LRT)



WC-265



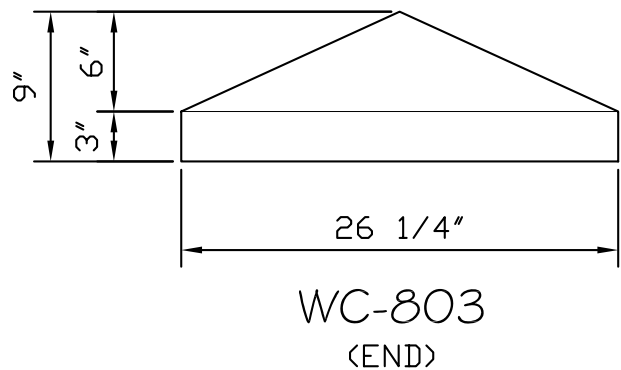
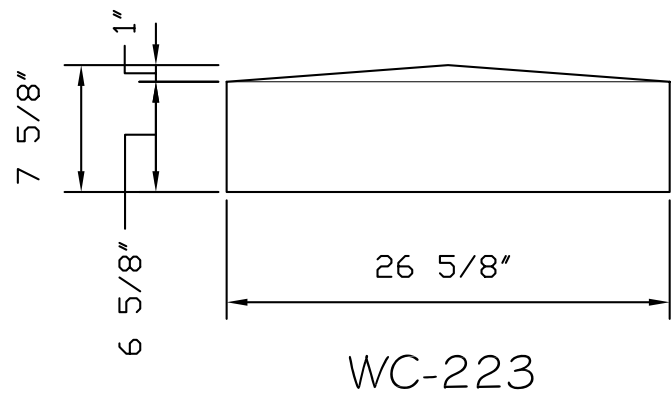
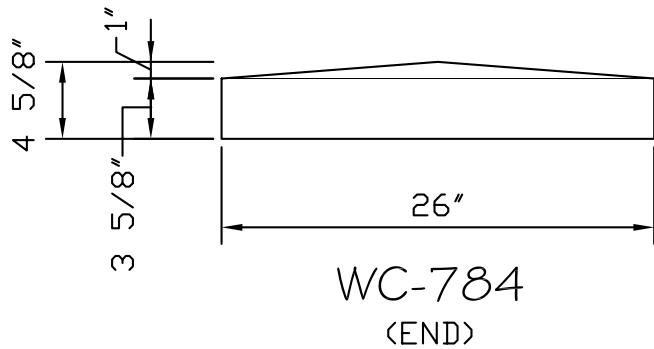
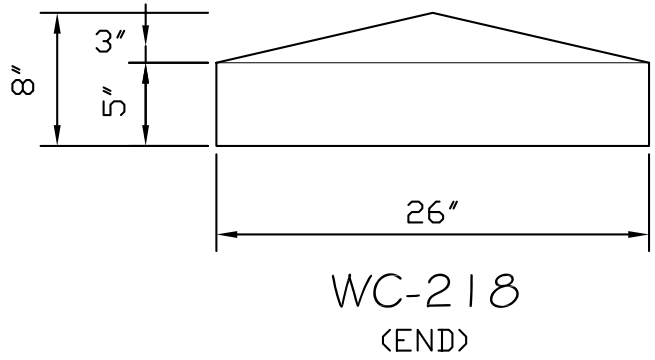
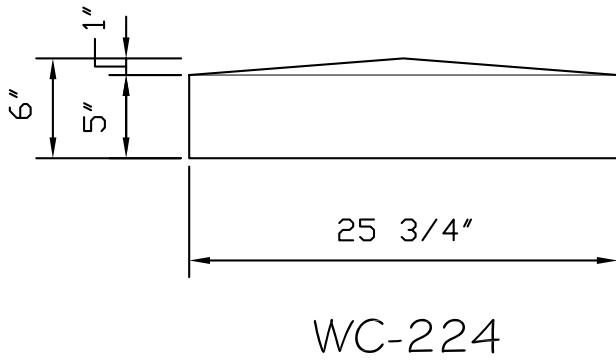
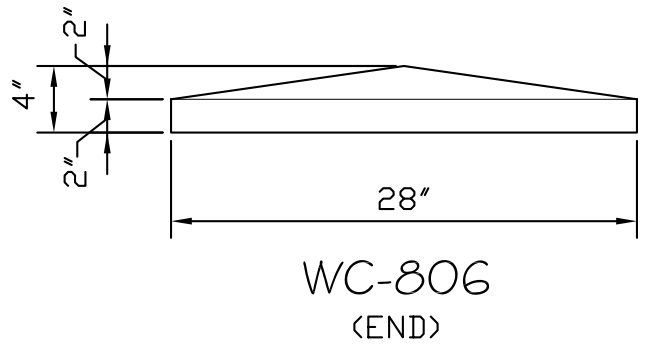
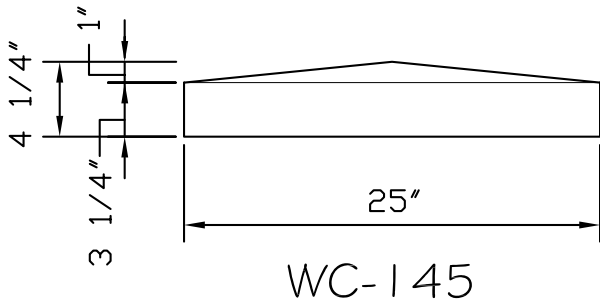
WC-157
(END)



ABBREVIATED TERMS:
STR-STRAIGHT, LRT-LEFT RETURN, RRT-RIGHT RETURN
COR-CORNER, ALTCOR-ALTERNATE CORNER, END-END CAP

4280 WAYSIDE COURT LILBURN, GA. 30047. (770)921-9788. FAX 921-9910

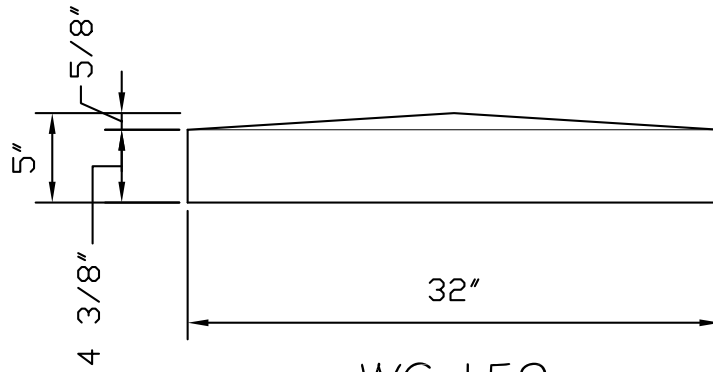
WALL COPING



ABBREVIATED TERMS:
 STR-STRAIGHT, LRT-LEFT RETURN, RRT-RIGHT RETURN
 COR-CORNER, ALTCOR-ALTERNATE CORNER, END-END CAP

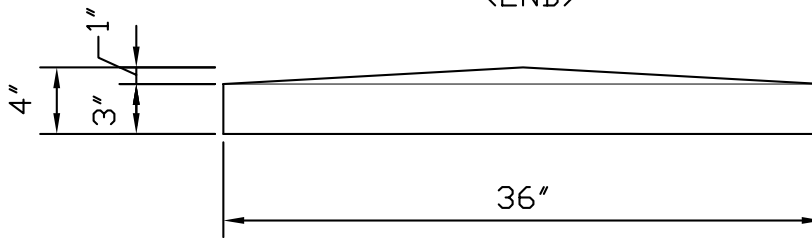
4280 WAYSIDE COURT LILBURN, GA. 30047. (770)921-9788. FAX 921-9910

WALL COPING



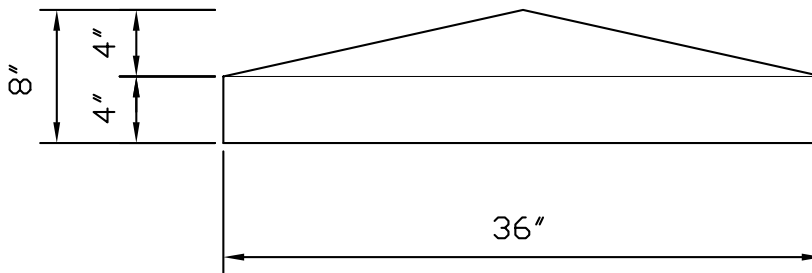
WC-159

(END)



WC-732

(END)



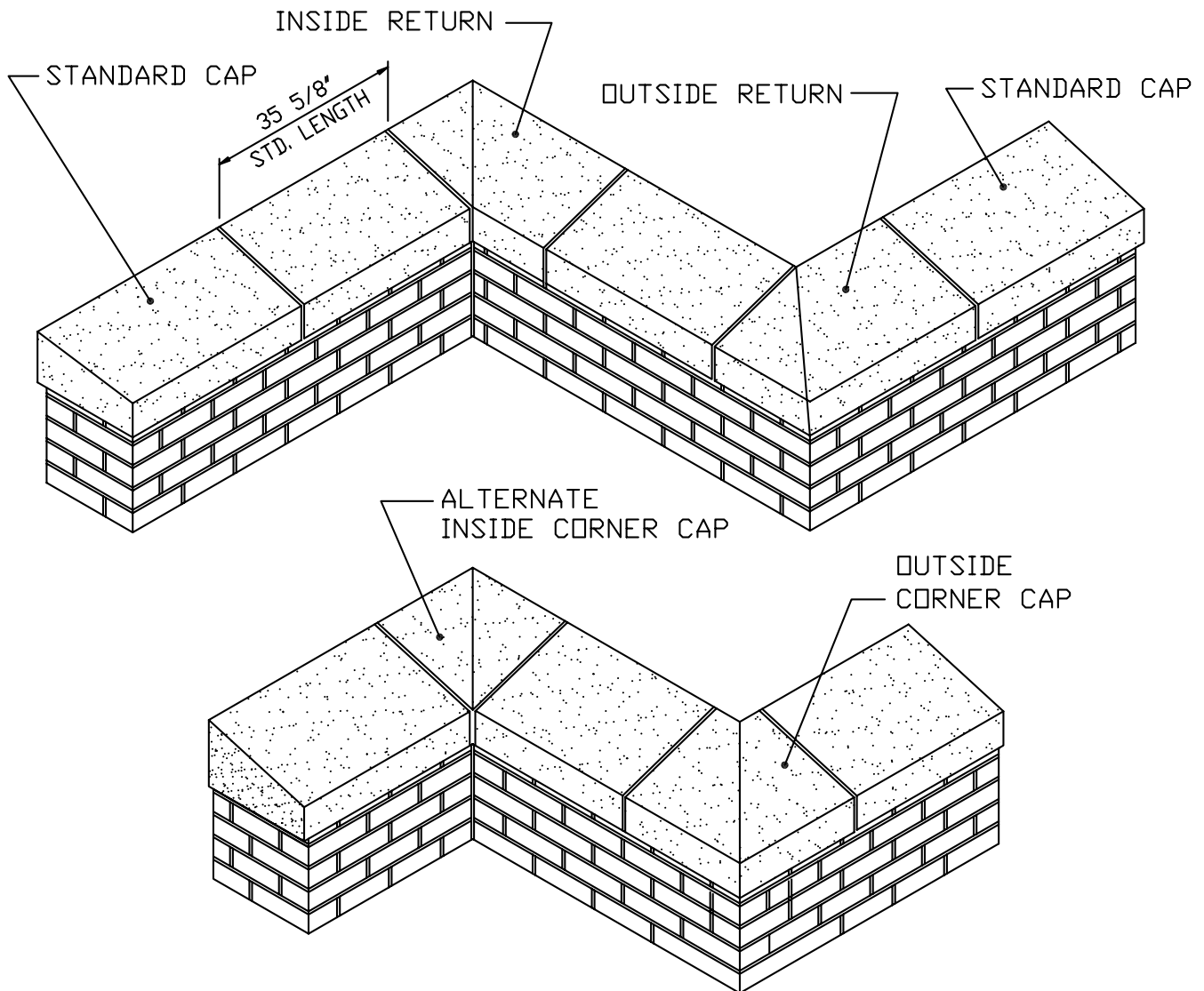
WC-653



ABBREVIATED TERMS:
STR-STRAIGHT, LRT-LEFT RETURN, RRT-RIGHT RETURN
COR-CORNER, ALTCOR-ALTERNATE CORNER, END-END CAP

4280 WAYSIDE COURT LILBURN, GA. 30047. (770)921-9788. FAX 921-9910

SINGLE SLOPE WALL COPING

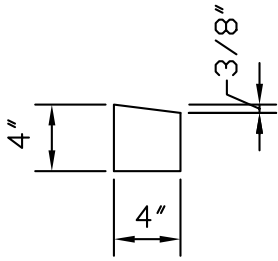


1. ALL WALL COPING, REGARDLESS OF THE PROFILE CAN BE FURNISHED AS A STANDARD CAP, AN END CAP, RIGHT OR LEFT RETURN CORNERS, INSIDE AND OUTSIDE AND CORNER CAPS.
2. CHECK INDIVIDUAL MOLD NUMBERS FOR AVAILABILITY OF COMPONENT PARTS. AN UPCHARGE WILL BE ASSESSED FOR FABRICATION OF UNAVAILABLE MOLDS. FABRICATION LEAD TIME FOR NEW MOLDS WILL BE DETERMINED WHEN THE ORDER IS PLACED.
3. ALL STANDARD AND RETURN CAPS ARE FURNISHED IN TYPICAL 35 5/8" LENGTHS. MASON TO FIELD CUT AS REQUIRED.
4. SINGLE SLOPE COPING CAPS CAN ALSO BE USED AS WINDOW SILLS IN SOME APPLICATIONS.

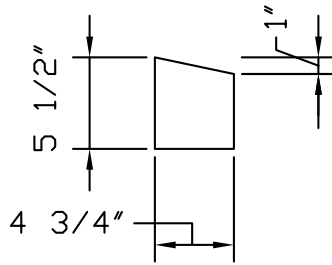


4280 WAYSIDE COURT LILBURN, GA. 30047. (770)921-9788. FAX 921-9910

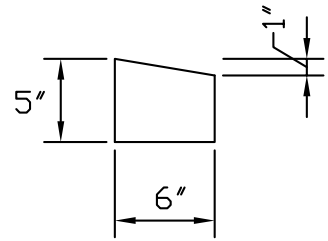
WALL COPING



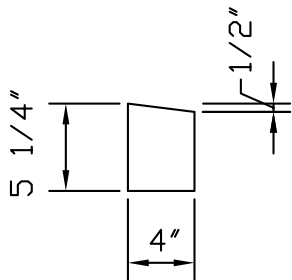
WS-181-44



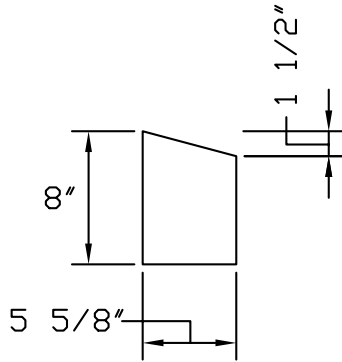
WT-125-0475



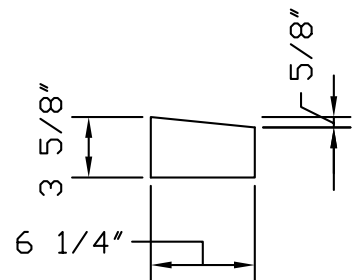
WT-104



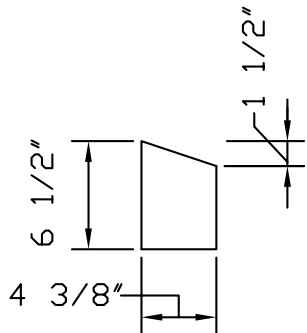
WS-101



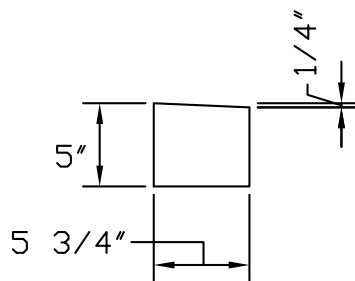
WS-199



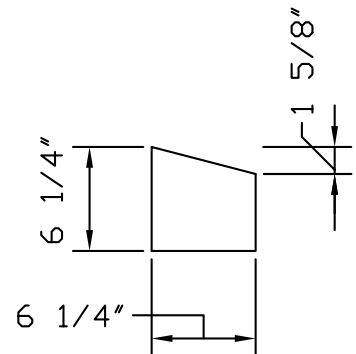
WC-827



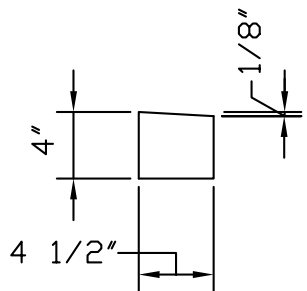
WS-200



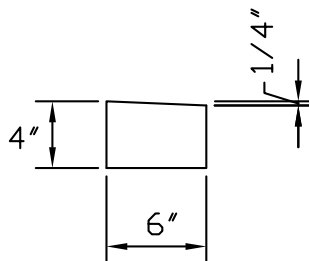
WS-623



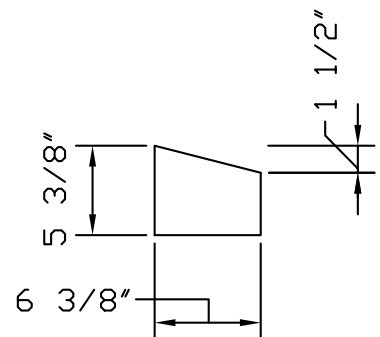
WS-106



WS-241



WS-245



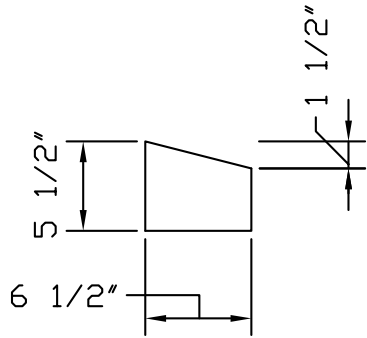
WS-198



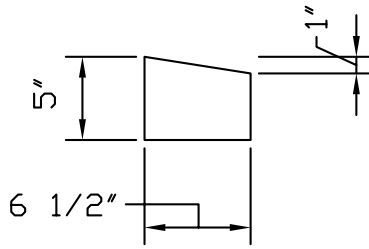
ABBREVIATED TERMS: LIC-LEFT INSIDE CORNER, RIC-RIGHT INSIDE CORNER, LRT-LEFT RETURN, RRT-RIGHT RETURN COR-CORNER, ALTCOR-ALTERNATE CORNER, END-END RETURN

4280 WAYSIDE COURT LILBURN, GA. 30047. (770)921-9788. FAX 921-9910

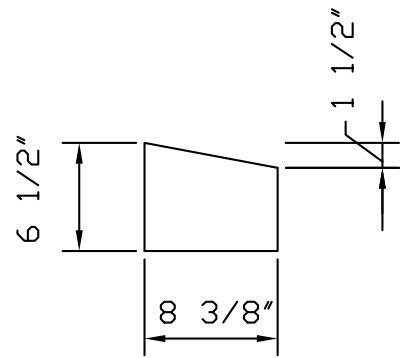
WALL COPING



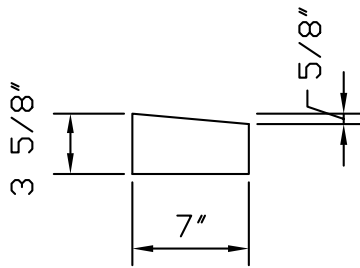
WS-198-A



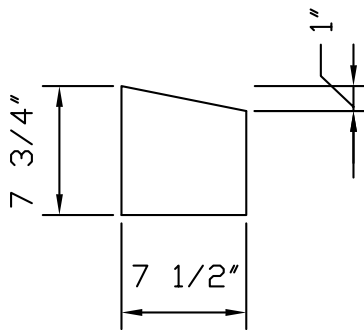
WT-311-C



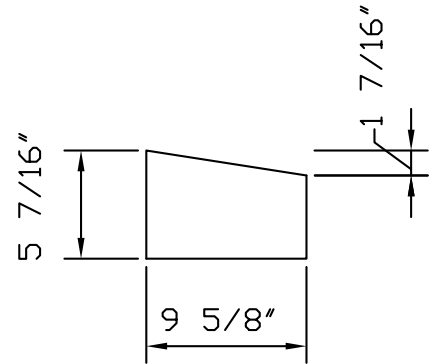
WS-197



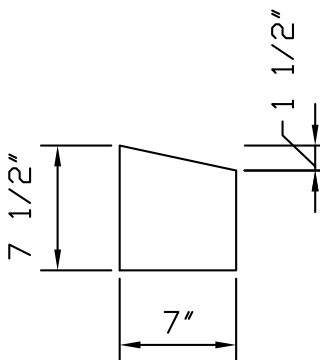
WS-191
(ALTCOR)



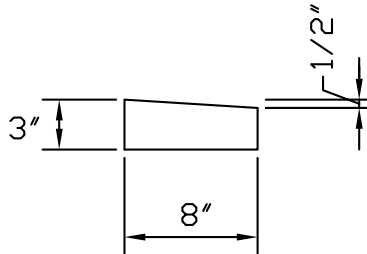
WS-185



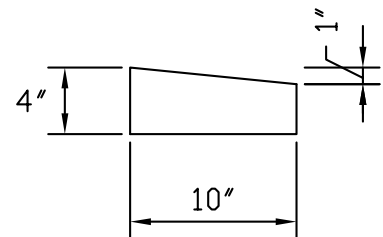
WC-788
(RRT, LRT)



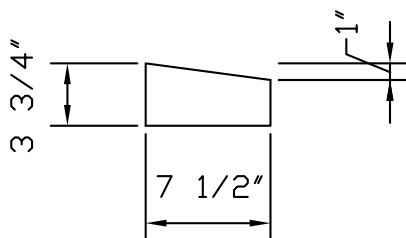
WS-146-07-0748



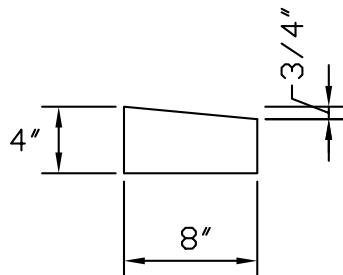
WS-160



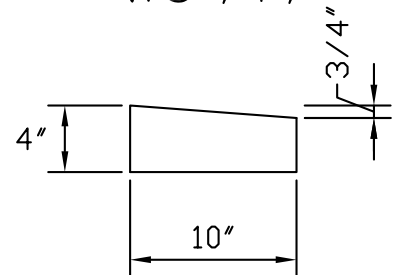
WC-717



WT-110



WC-02-219



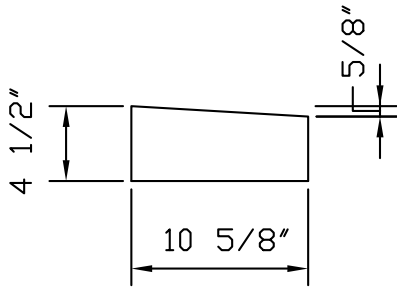
WC-02-218
(RRT ONLY)



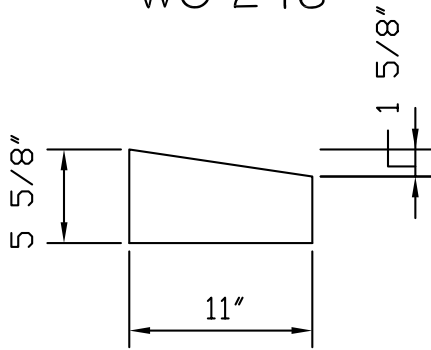
ABBREVIATED TERMS: LIC-LEFT INSIDE CORNER, RIC-RIGHT INSIDE CORNER, LRT-LEFT RETURN, RRT-RIGHT RETURN COR-CORNER, ALTCOR-ALTERNATE CORNER, END-END RETURN

4280 WAYSIDE COURT LILBURN, GA. 30047. (770)921-9788. FAX 921-9910

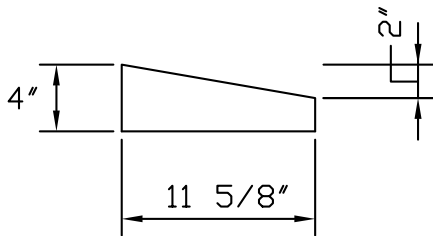
WALL COPING



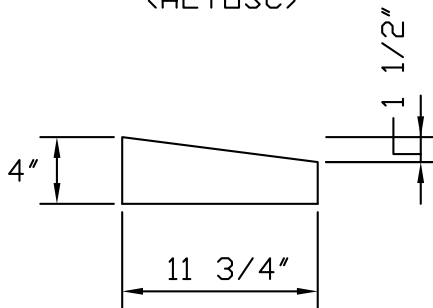
WC-246



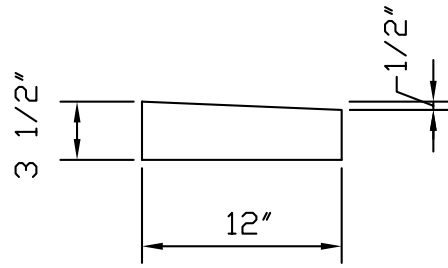
WC-375



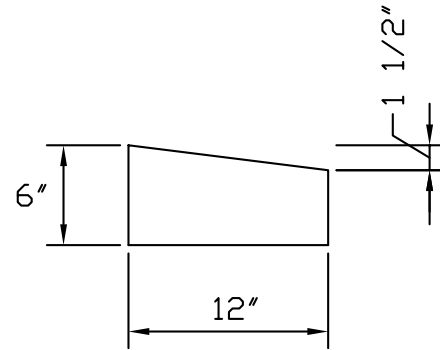
WC-118
(ALTCOR)



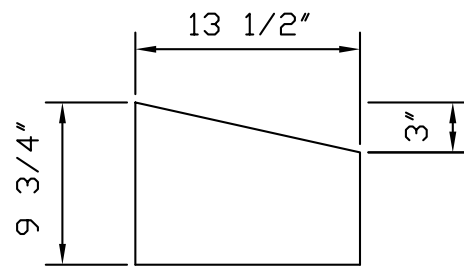
WC-235



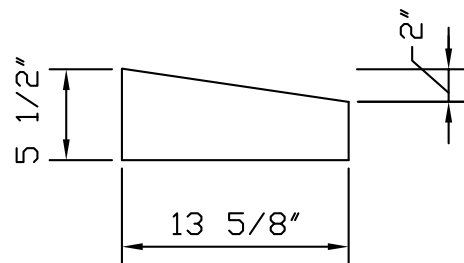
WS-195



WC-02-212-05
(LRT, RRT)



WC-804



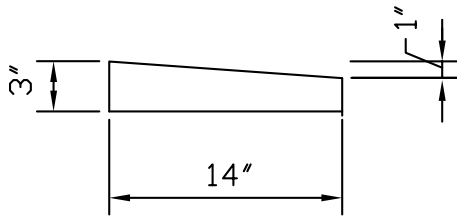
WC-796
(RIC, RRT)



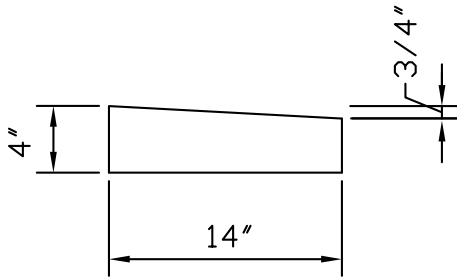
ABBREVIATED TERMS: LIC-LEFT INSIDE CORNER, RIC-RIGHT INSIDE CORNER, LRT-LEFT RETURN, RRT-RIGHT RETURN COR-CORNER, ALTCOR-ALTERNATE CORNER, END-END RETURN

4280 WAYSIDE COURT LILBURN, GA. 30047. (770)921-9788. FAX 921-9910

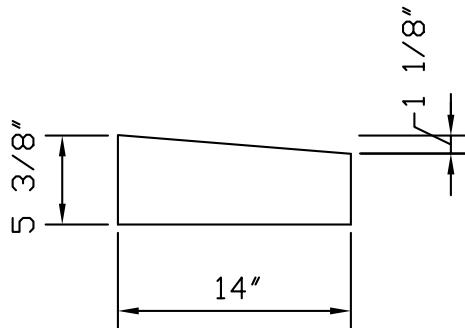
WALL COPING



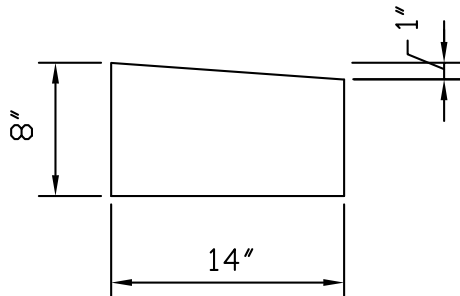
WC-824



WS-140-0414-48

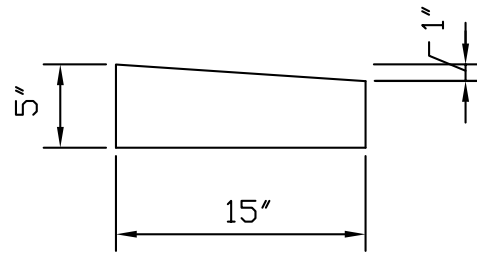


WC-848-RTN



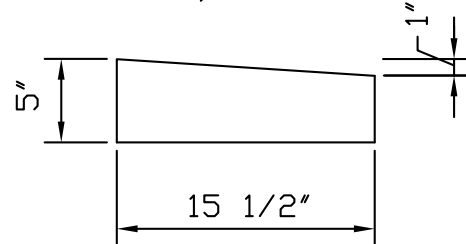
WC-208

(ALTCOR)

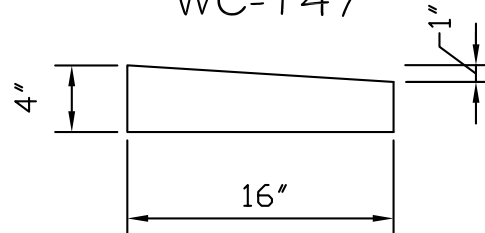


WC-181

(ISC, ALTCOR)

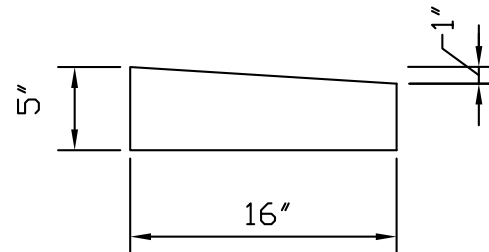


WC-147



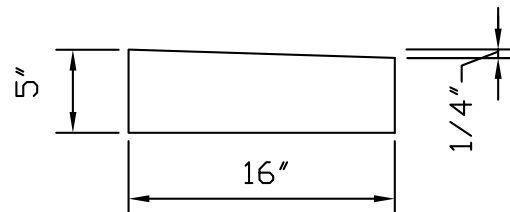
WC-306-15-RTN

WC-306-SP



WC-227

(ISC, ISC)



WC-177

(ALTCOR)

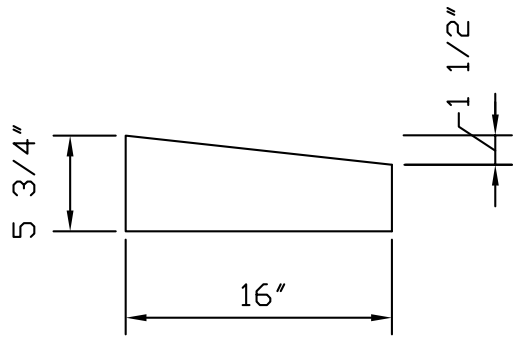


OLDE WORLD
CAST STONE

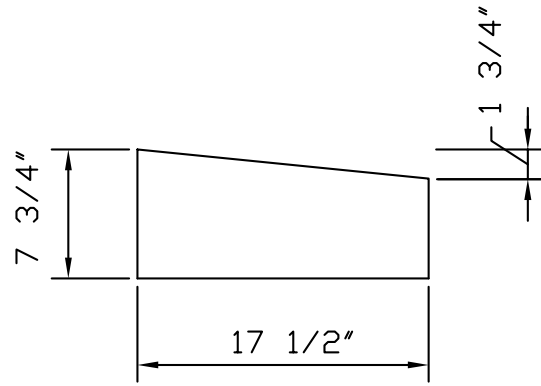
ABBREVIATED TERMS: LIC-LEFT INSIDE CORNER, RIC-RIGHT INSIDE CORNER, LRT-LEFT RETURN, RRT-RIGHT RETURN COR-CORNER, ALTCOR-ALTERNATE CORNER, END-END RETURN

4280 WAYSIDE COURT LILBURN, GA. 30047. (770)921-9788. FAX 921-9910

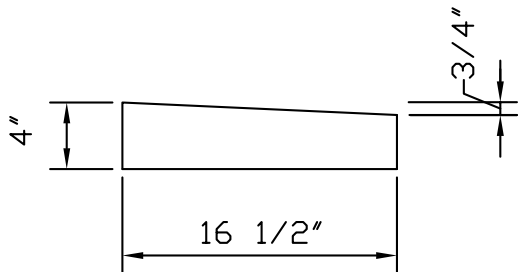
WALL COPING



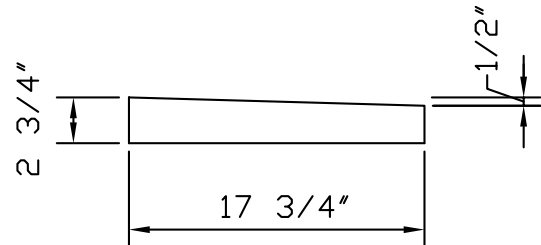
WC-177
(ISC)



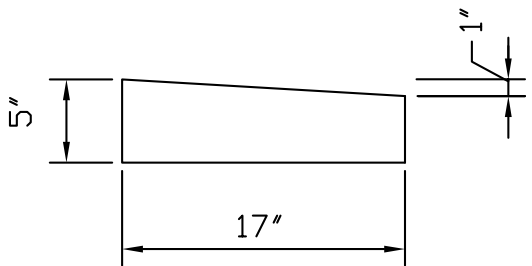
WC-159



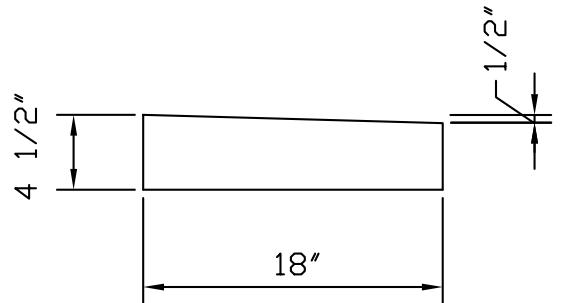
WC-764



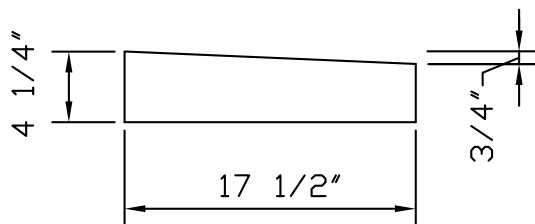
WC-02-206



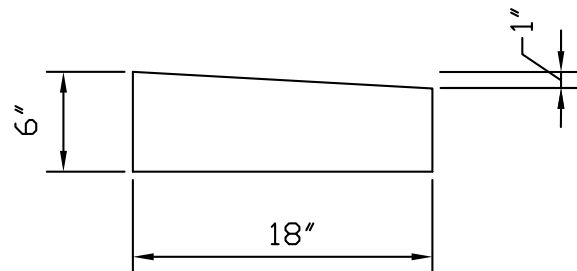
WC-304-OS-RTN-R
WC-304-OS-RTN-L



WC-275-C
(LRT, RRT ONLY)



WC-145
(LRT, RRT)



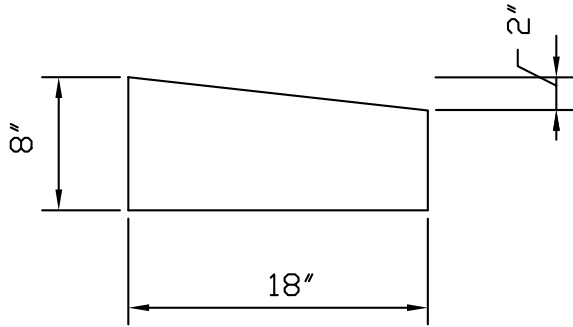
WC-163



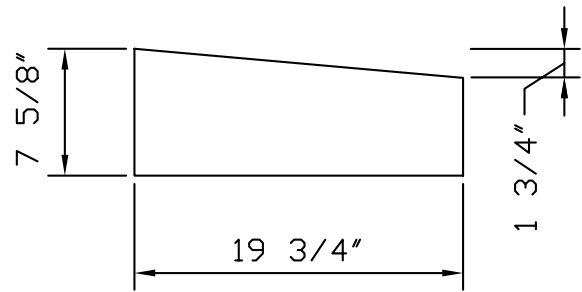
ABBREVIATED TERMS: LIC-LEFT INSIDE CORNER, RIC-RIGHT INSIDE CORNER, LRT-LEFT RETURN, RRT-RIGHT RETURN COR-CORNER, ALTCOR-ALTERNATE CORNER, END-END RETURN

4280 WAYSIDE COURT LILBURN, GA. 30047. (770)921-9788. FAX 921-9910

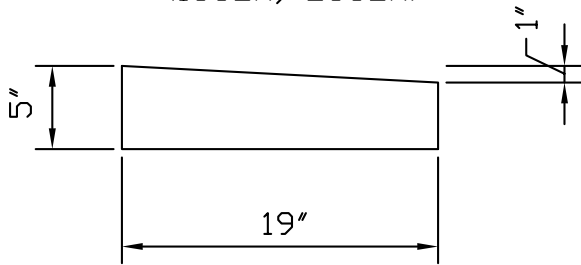
WALL COPING



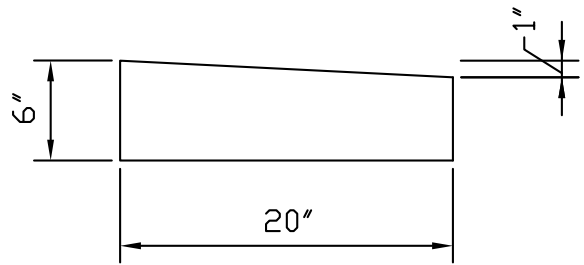
WC-182
(ISCOR, OSCOR)



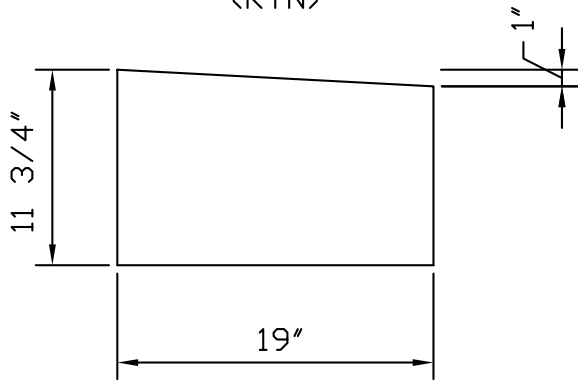
WC-160



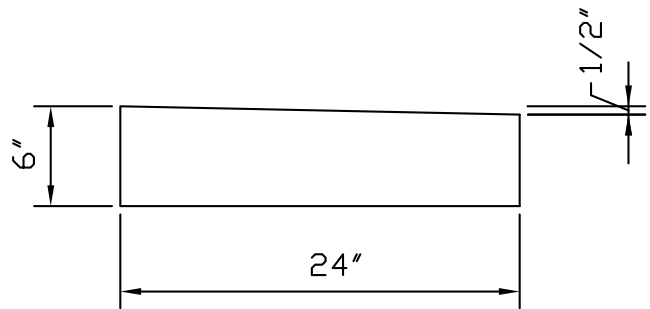
WC-773
(RTN)



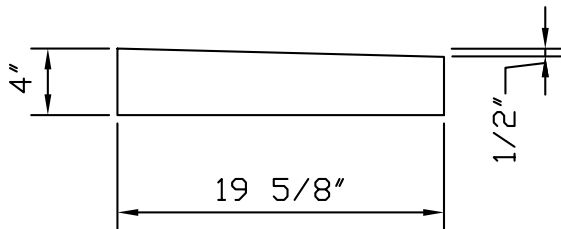
WC-841
(RTN)



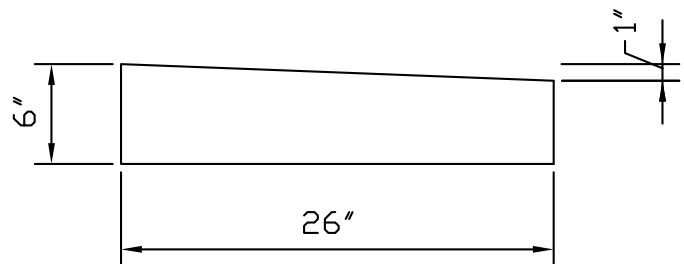
WC-02-214



WC-239



WC-846
(RTN)



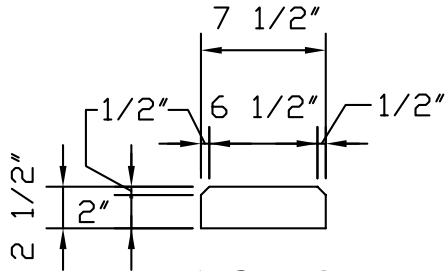
WC-837



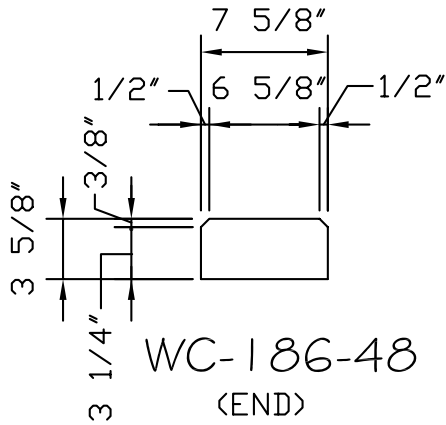
ABBREVIATED TERMS: LIC-LEFT INSIDE CORNER, RIC-RIGHT INSIDE CORNER, LRT-LEFT RETURN, RRT-RIGHT RETURN COR-CORNER, ALTCOR-ALTERNATE CORNER, END-END RETURN

4280 WAYSIDE COURT LILBURN, GA. 30047. (770)921-9788. FAX 921-9910

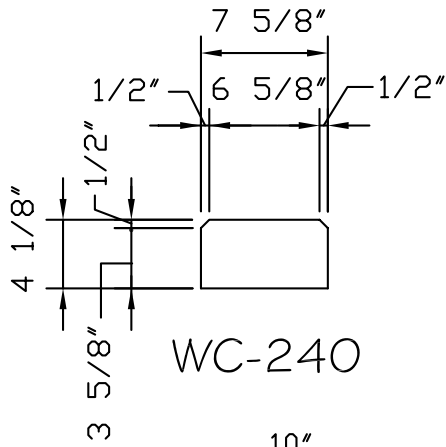
WALL COPING



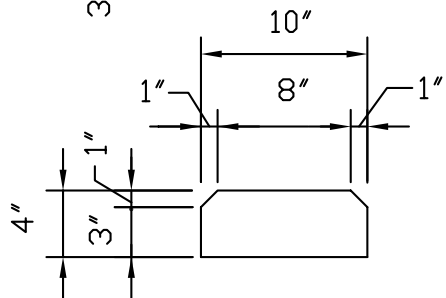
WC-127



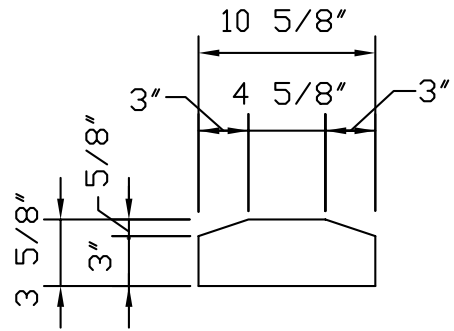
WC-186-48
(END)



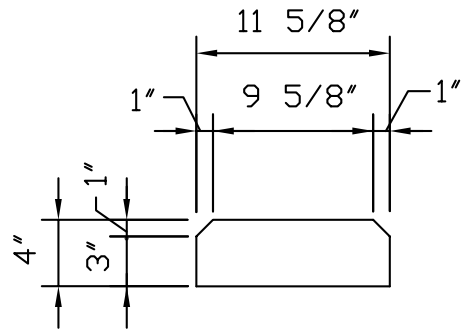
WC-240



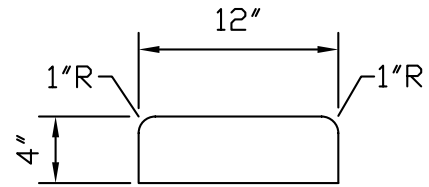
WC-190
(END)



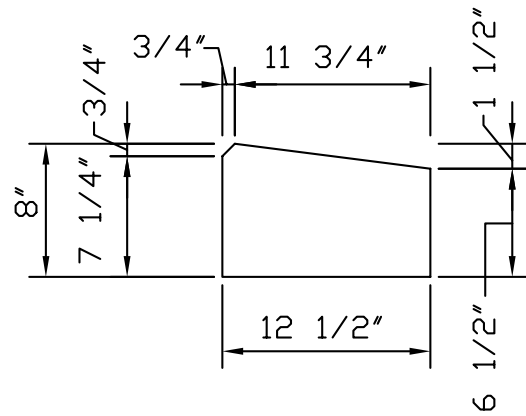
WC-785
(LRT, RRT, INSIDE & OUT)



WC-744



WC-251

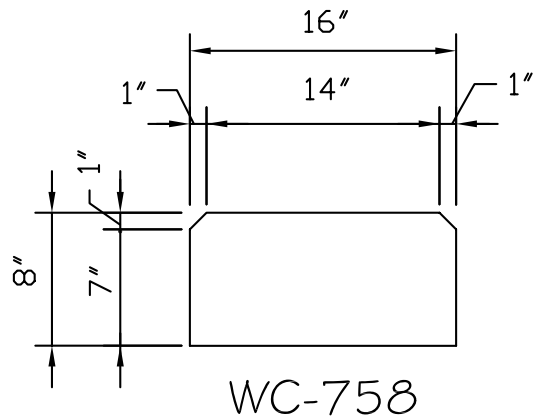
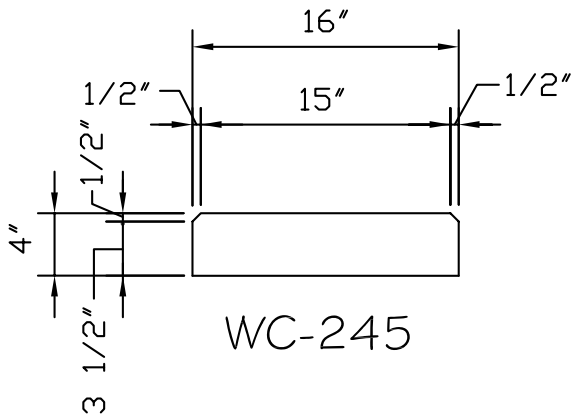
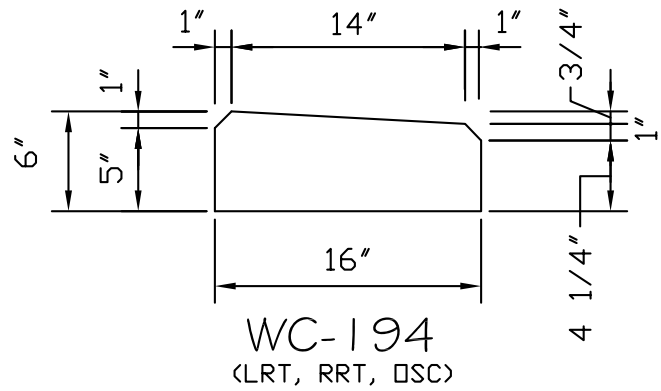
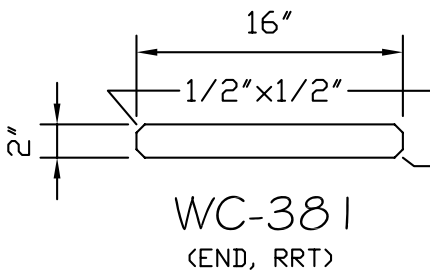
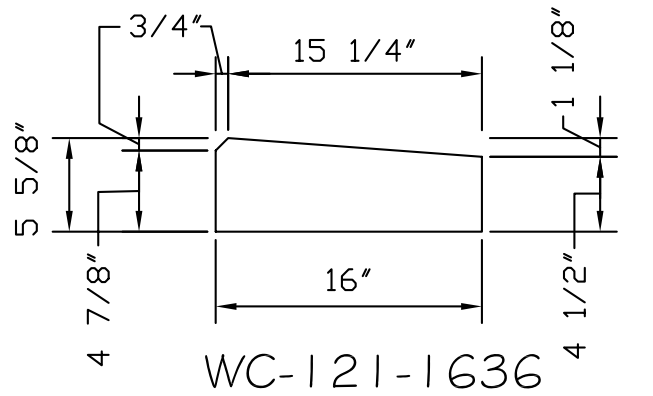
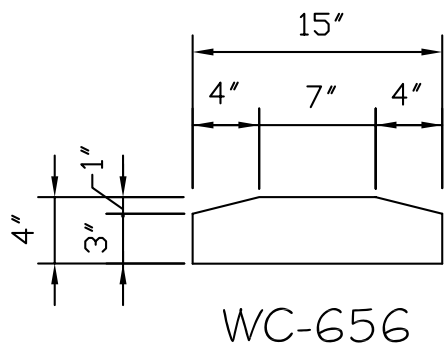
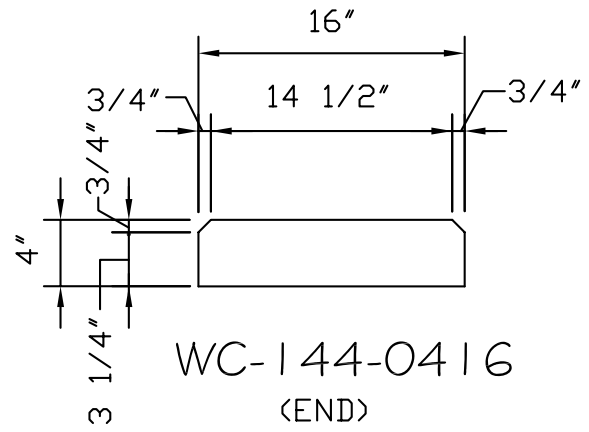
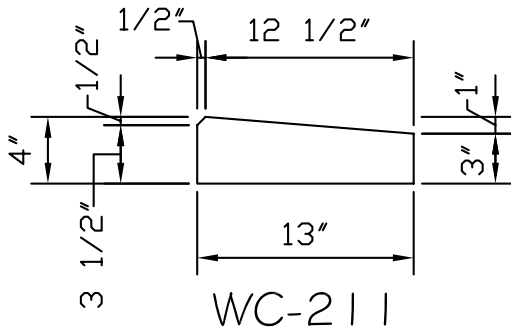


WC-212-STR



ABBREVIATED TERMS:
 STR-STRAIGHT, LRT-LEFT RETURN, RRT-RIGHT RETURN
 COR-CORNER, ALTCOR-ALTERNATE CORNER, END-END CAP
 4280 WAYSIDE COURT LILBURN, GA. 30047. (770)921-9788. FAX 921-9910

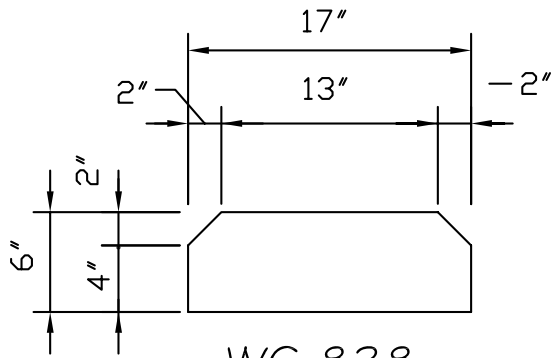
WALL COPING



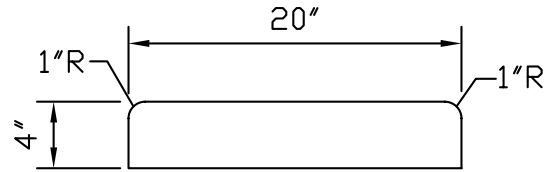
ABBREVIATED TERMS:
STR-STRAIGHT, LRT-LEFT RETURN, RRT-RIGHT RETURN
COR-CORNER, ALTCOR-ALTERNATE CORNER, END-END CAP

4280 WAYSIDE COURT LILBURN, GA. 30047. (770)921-9788. FAX 921-9910

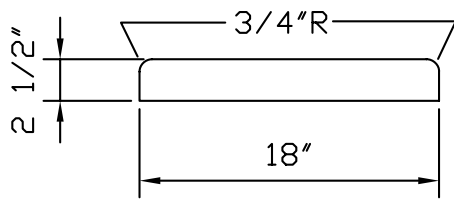
WALL COPING



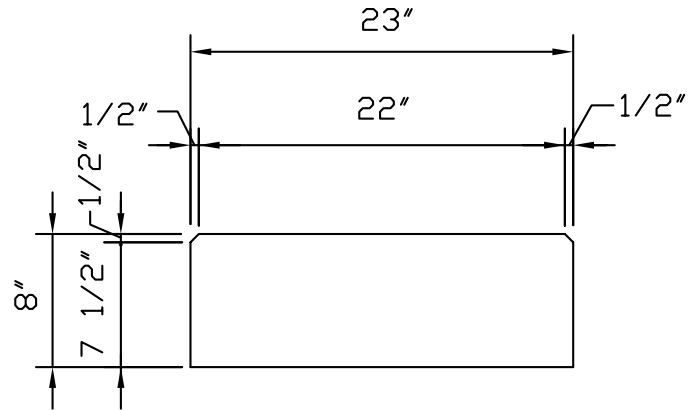
WC-838



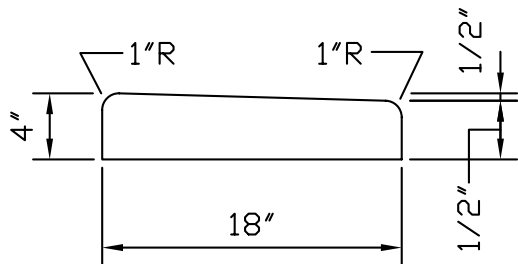
WC-243-RET
(END)



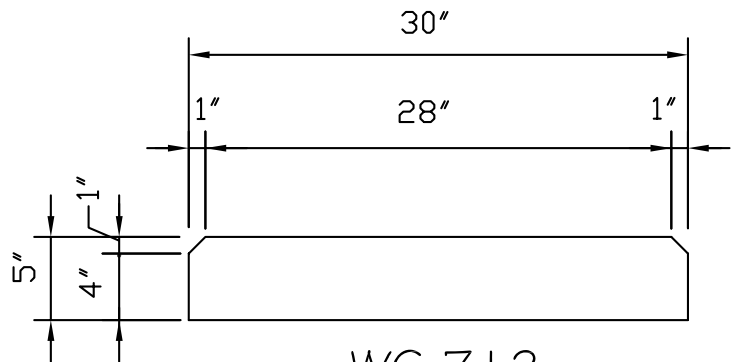
WC-191
(END)



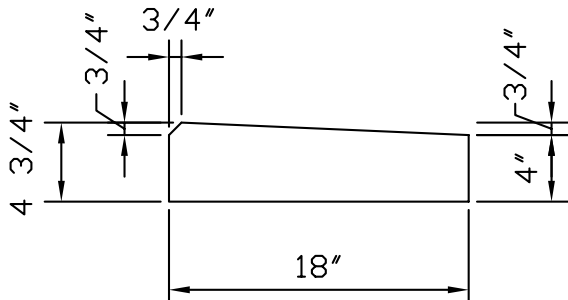
WC-132-0823



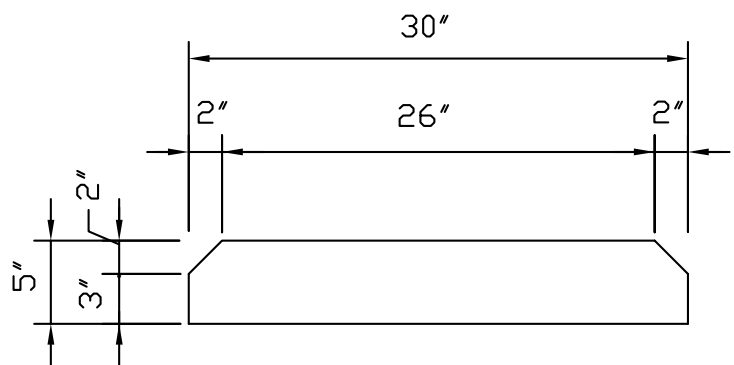
WC-252
(END)



WC-712



WC-275-COR-L-1/S
(LRT)



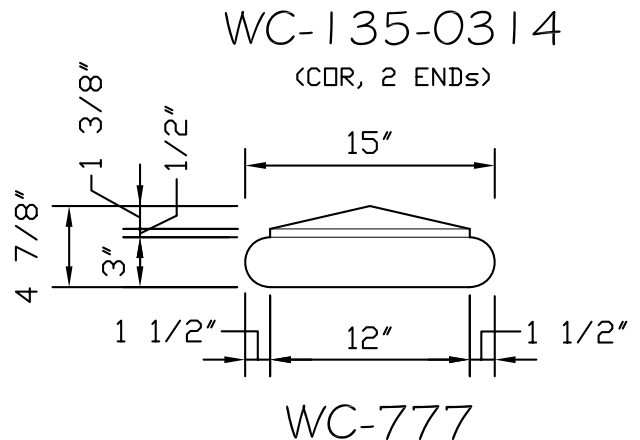
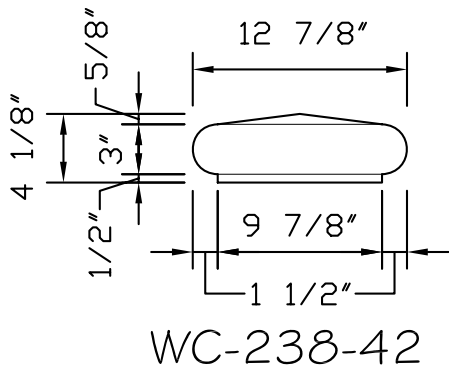
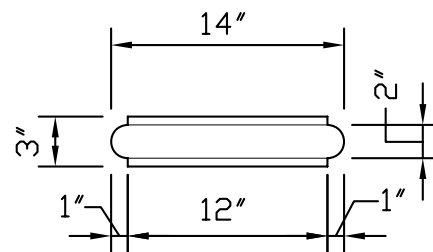
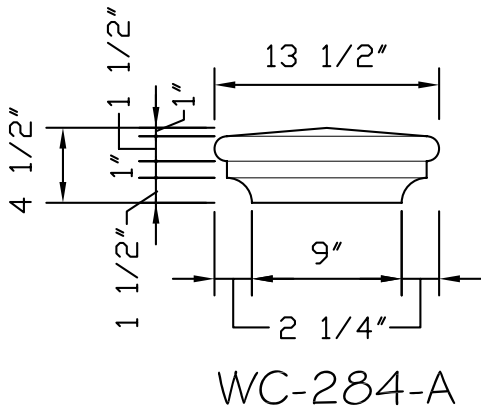
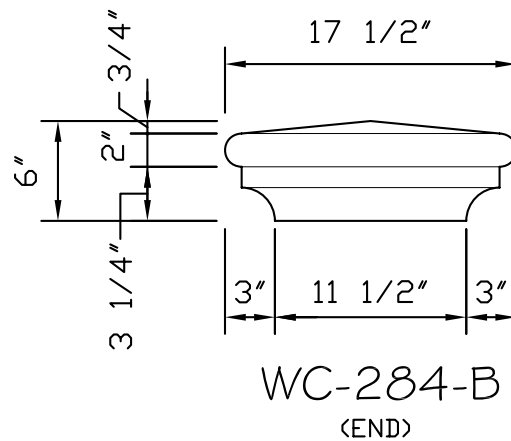
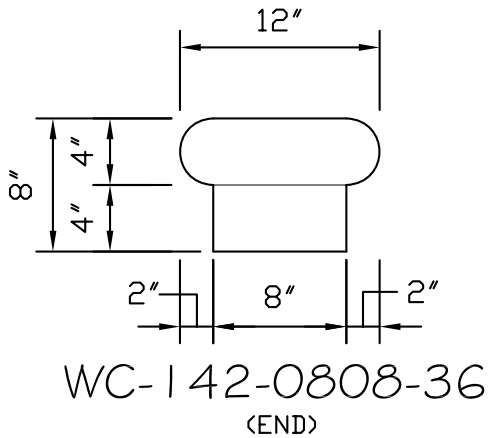
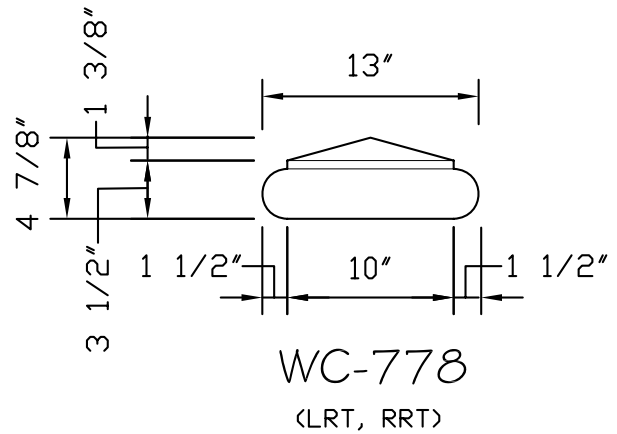
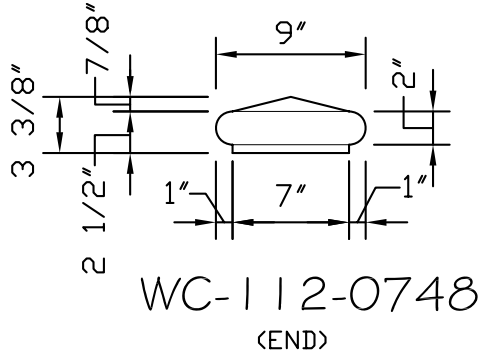
WC-809



ABBREVIATED TERMS:
 STR-STRAIGHT, LRT-LEFT RETURN, RRT-RIGHT RETURN
 COR-CORNER, ALTCOR-ALTERNATE CORNER, END-END CAP

4280 WAYSIDE COURT LILBURN, GA. 30047. (770)921-9788. FAX 921-9910

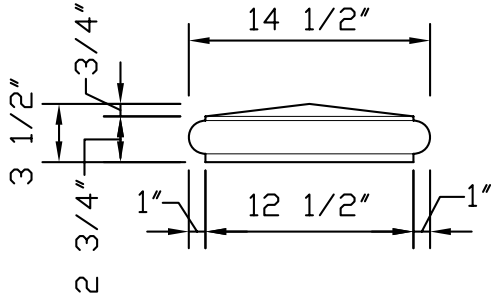
BULLNOSE WALL COPING



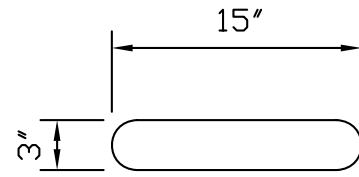
ABBREVIATED TERMS:
STR-STRAIGHT, LRT-LEFT RETURN, RRT-RIGHT RETURN
COR-CORNER, ALTCOR-ALTERNATE CORNER, END-END CAP

4280 WAYSIDE COURT LILBURN, GA. 30047. (770)921-9788. FAX 921-9910

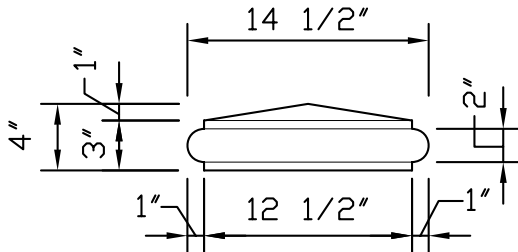
BULLNOSE WALL COPING



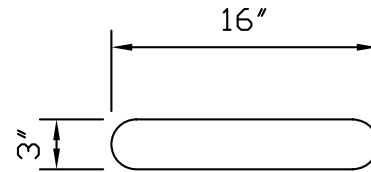
WC-112-12.5
(COR, END)



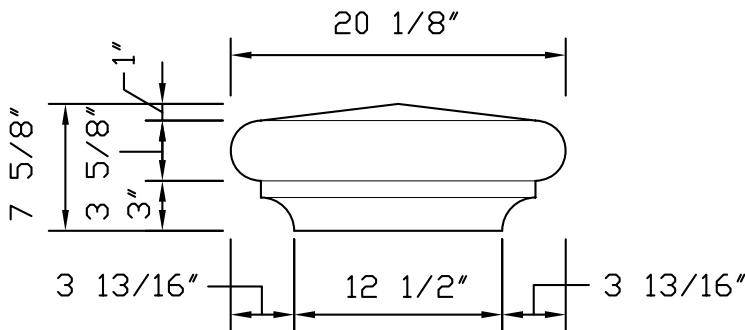
WC-842
(END, LRT)



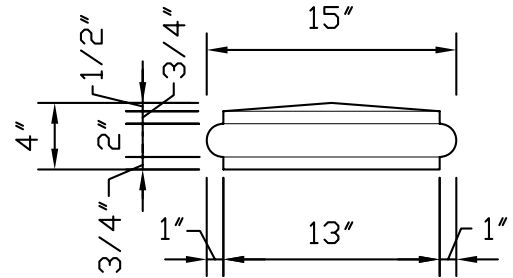
WC-127-6.5X10.75
(END)



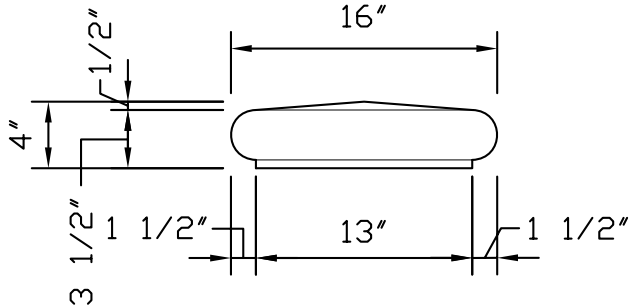
WC-828
(END)



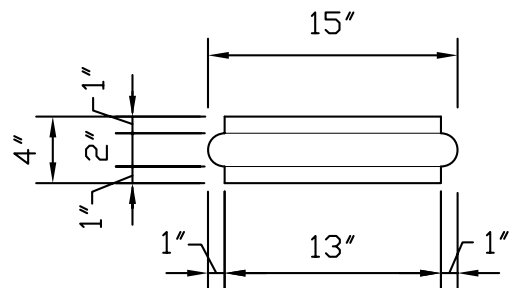
WC-214
(END)



WC-714-RTN
WC-714-END



WC-237
(END)



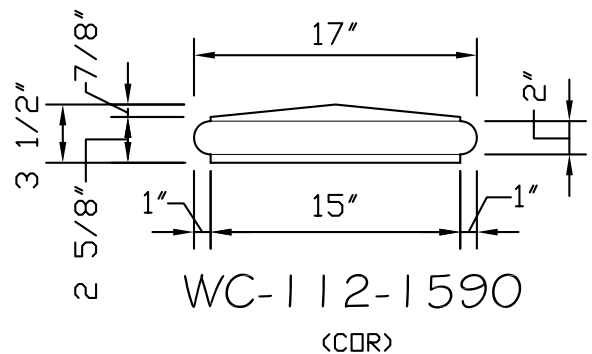
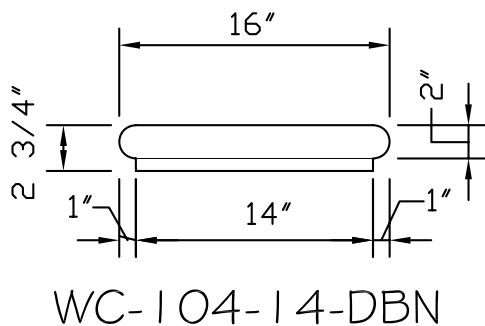
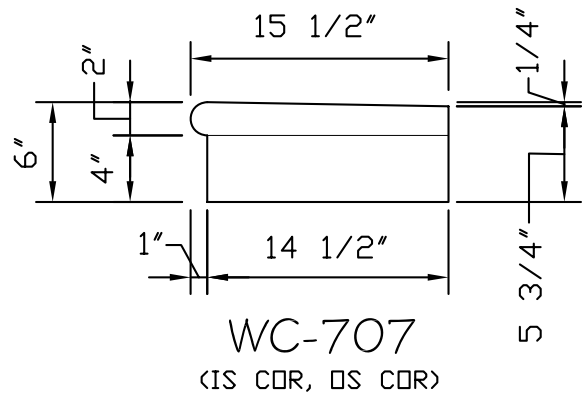
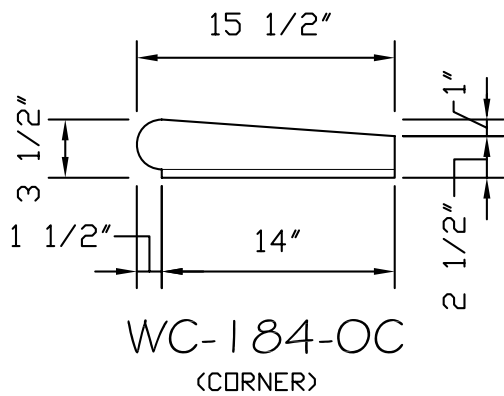
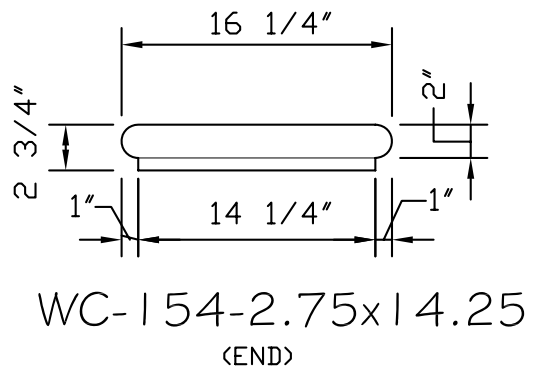
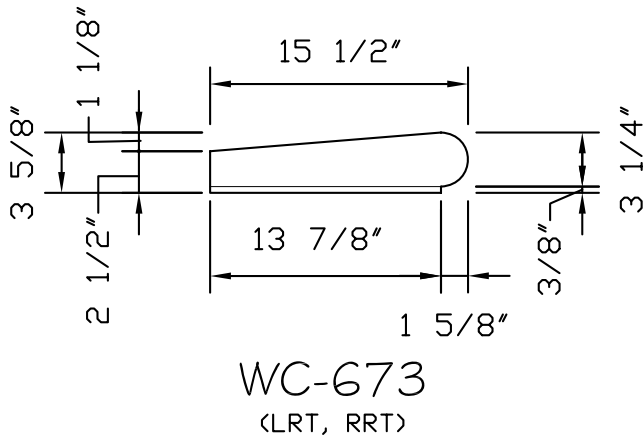
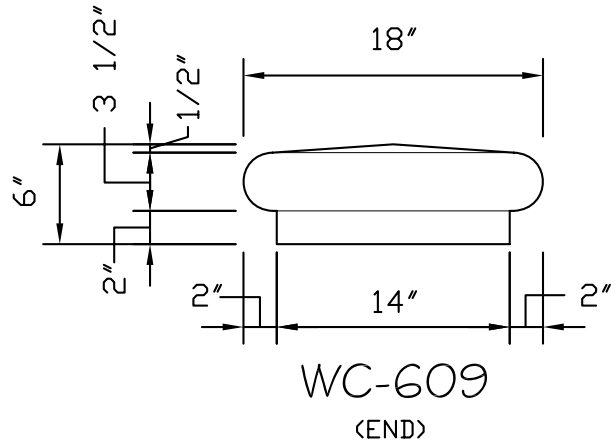
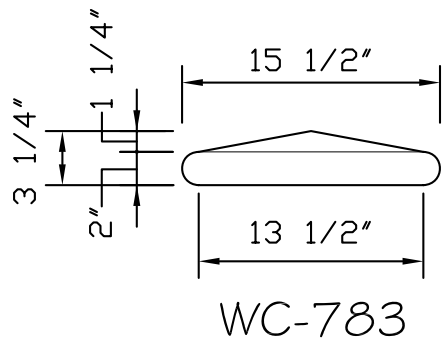
WC-715
*(END)



ABBREVIATED TERMS:
STR-STRAIGHT, LRT-LEFT RETURN, RRT-RIGHT RETURN
COR-CORNER, ALTCOR-ALTERNATE CORNER, END-END CAP

4280 WAYSIDE COURT LILBURN, GA. 30047. (770)921-9788. FAX 921-9910

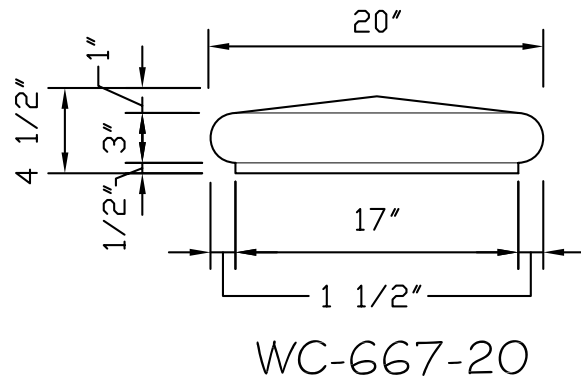
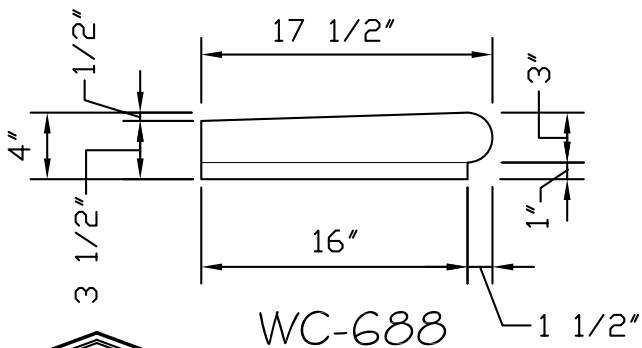
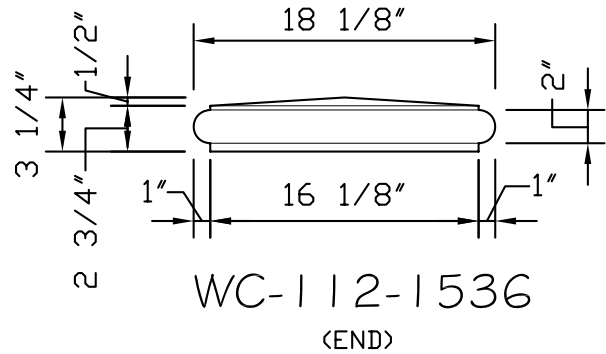
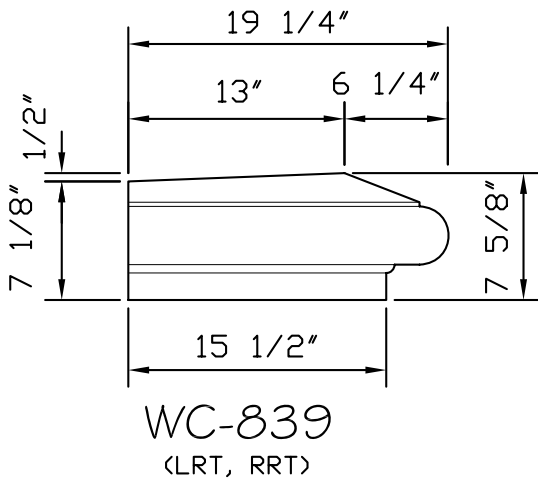
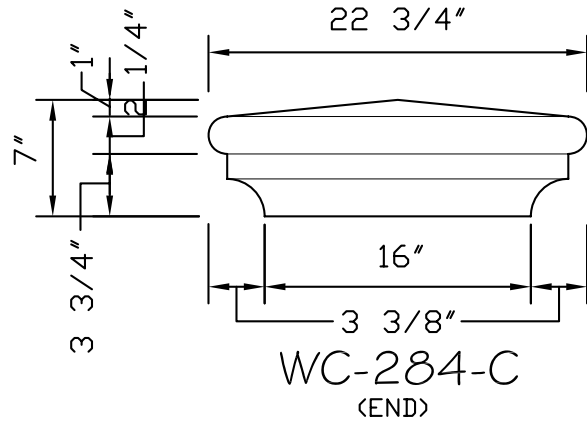
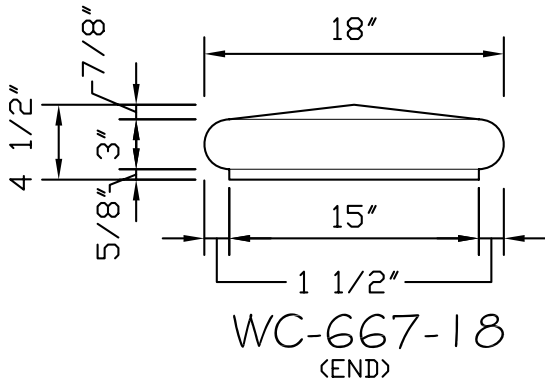
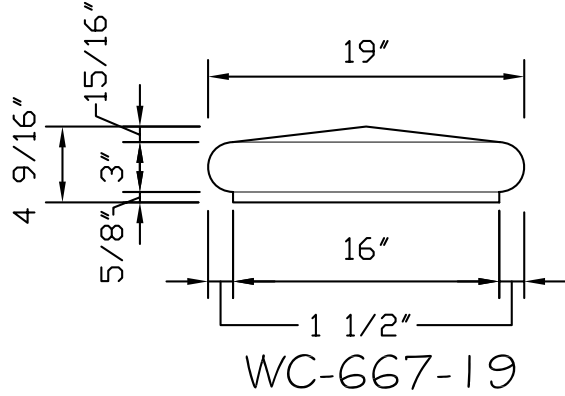
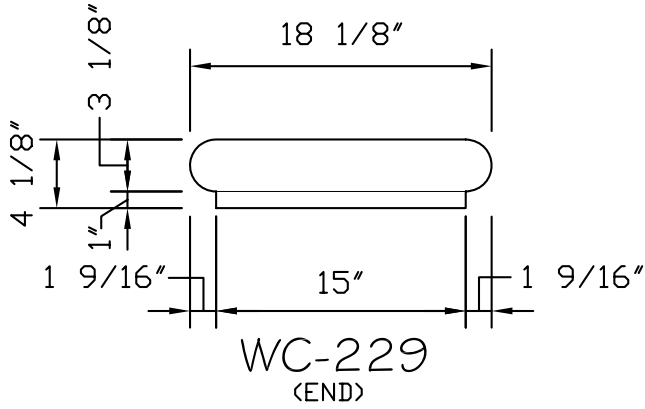
BULLNOSE WALL COPING



ABBREVIATED TERMS:
STR-STRAIGHT, LRT-LEFT RETURN, RRT-RIGHT RETURN
COR-CORNER, ALTCOR-ALTERNATE CORNER, END-END CAP

4280 WAYSIDE COURT LILBURN, GA. 30047. (770)921-9788. FAX 921-9910

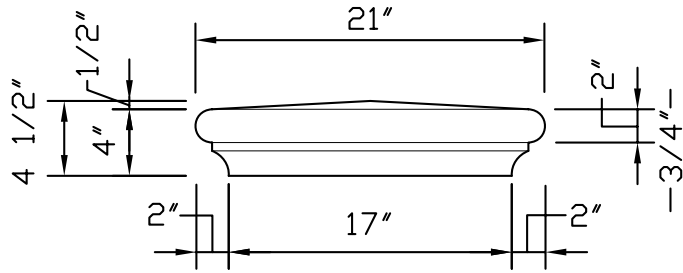
BULLNOSE WALL COPING



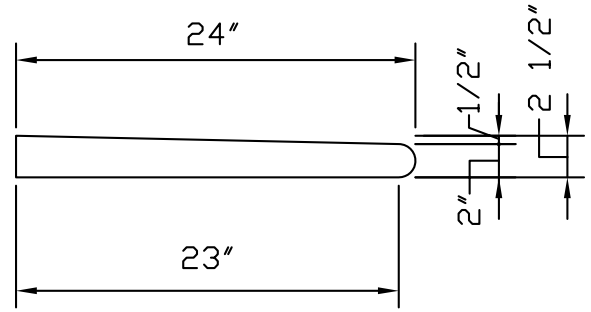
ABBREVIATED TERMS:
STR-STRAIGHT, LRT-LEFT RETURN, RRT-RIGHT RETURN
COR-CORNER, ALTCOR-ALTERNATE CORNER, END-END CAP

4280 WAYSIDE COURT LILBURN, GA. 30047. (770)921-9788. FAX 921-9910

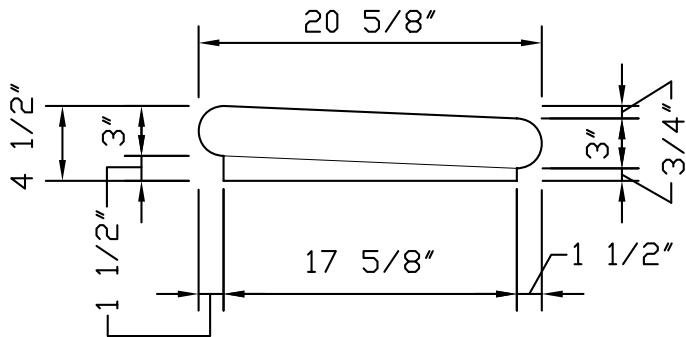
BULLNOSE WALL COPING



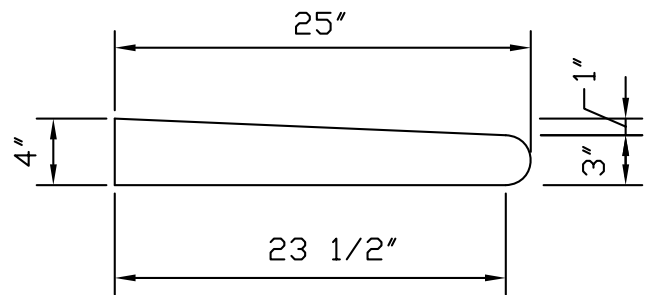
WC-131-4.521
(COR)



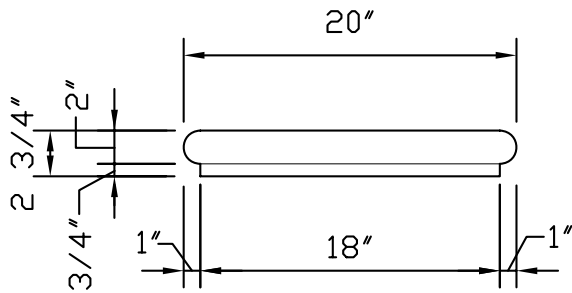
WC-152-2.523-48



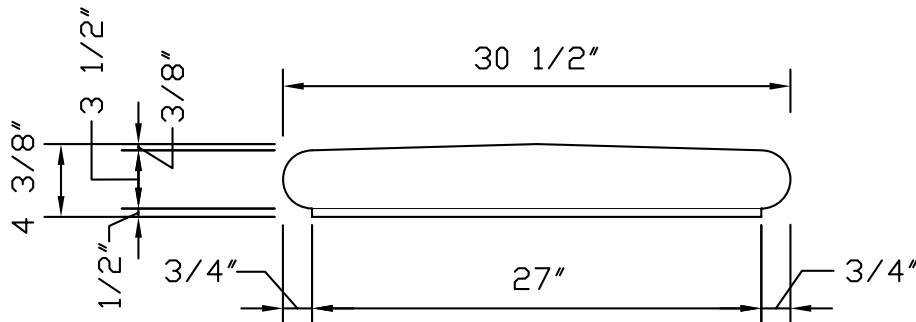
WC-197



WC-172-A



WC-716
(END)



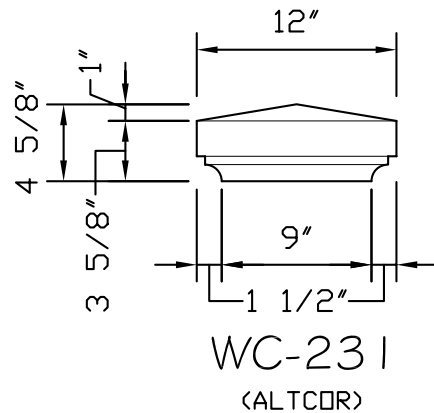
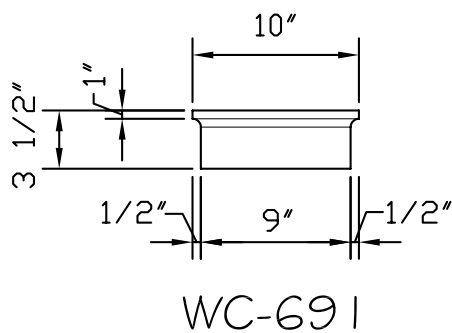
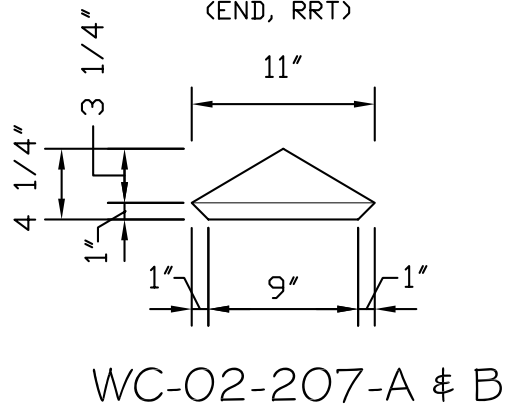
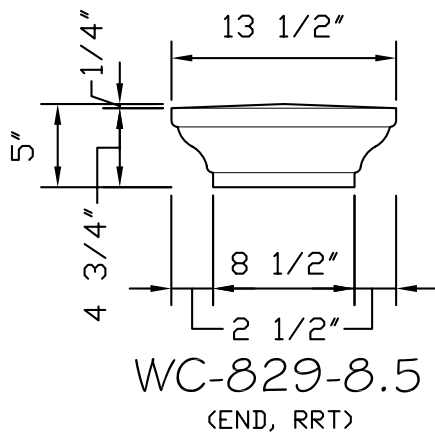
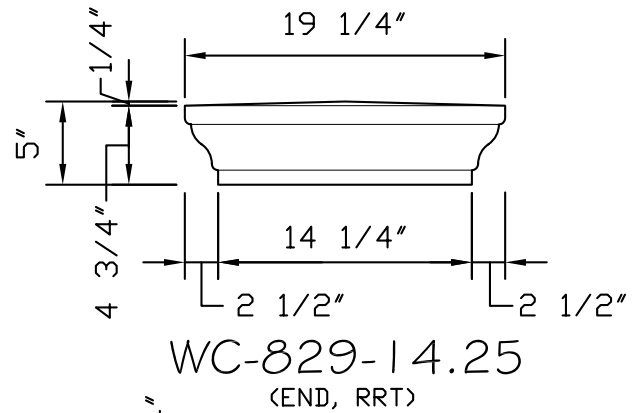
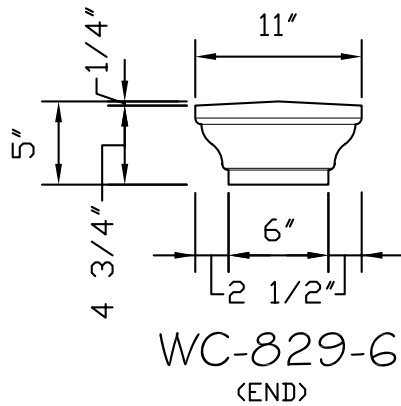
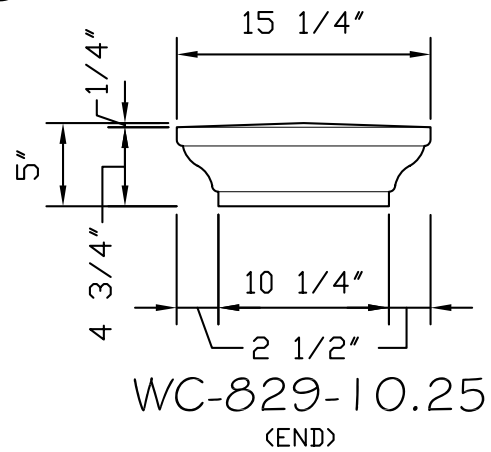
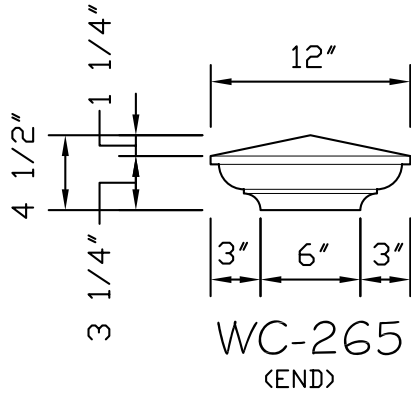
WC-220
(END)



ABBREVIATED TERMS:
STR-STRAIGHT, LRT-LEFT RETURN, RRT-RIGHT RETURN
COR-CORNER, ALTCOR-ALTERNATE CORNER, END-END CAP

4280 WAYSIDE COURT LILBURN, GA. 30047. (770)921-9788. FAX 921-9910

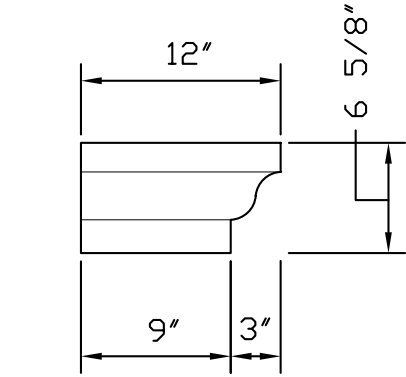
MISC. WALL COPING



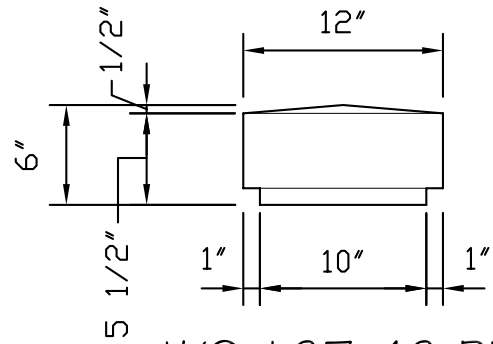
ABBREVIATED TERMS:
STR-STRAIGHT, LRT-LEFT RETURN, RRT-RIGHT RETURN
COR-CORNER, ALTCOR-ALTERNATE CORNER, END-END CAP

4280 WAYSIDE COURT LILBURN, GA. 30047. (770)921-9788. FAX 921-9910

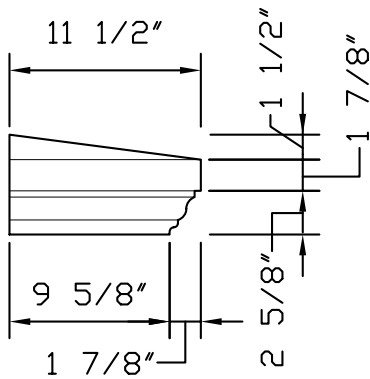
MISC. WALL COPING



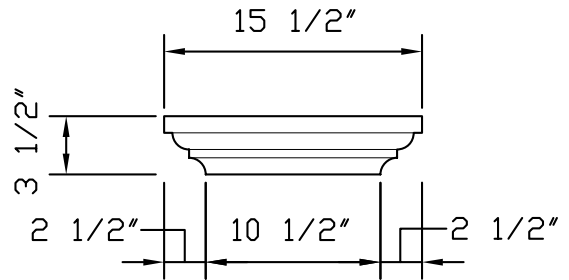
WC-134-0712



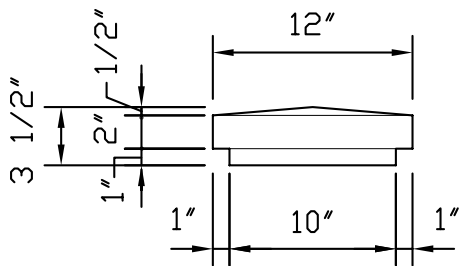
WC-187-48-RET
(END)



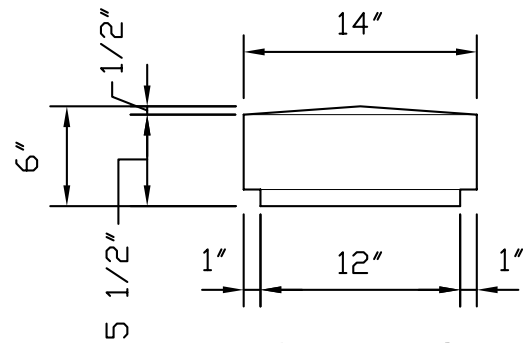
WS-144-0611.5-48



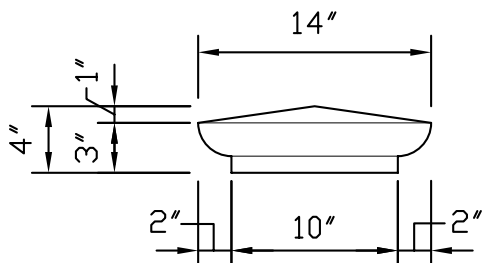
WC-114



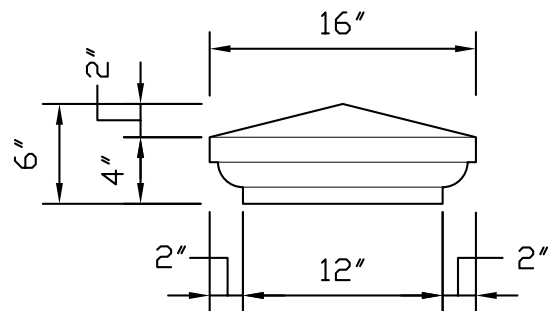
WC-207-STR



WC-213-STR



WC-256



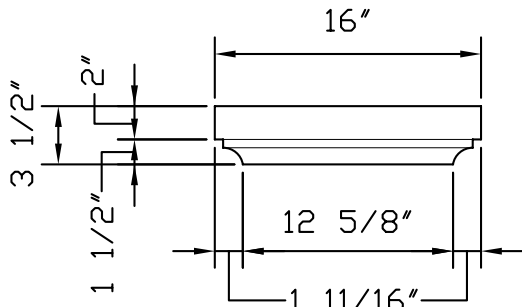
WC-300-B
(END)



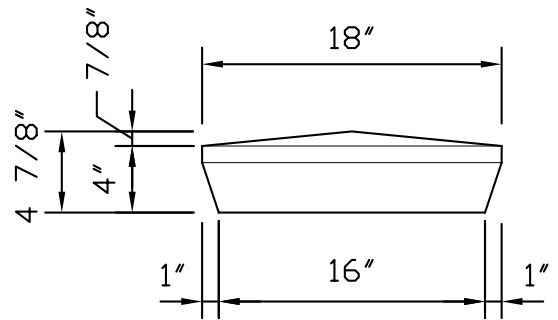
ABBREVIATED TERMS:
STR-STRAIGHT, LRT-LEFT RETURN, RRT-RIGHT RETURN
COR-CORNER, ALTCOR-ALTERNATE CORNER, END-END CAP

4280 WAYSIDE COURT LILBURN, GA. 30047. (770)921-9788. FAX 921-9910

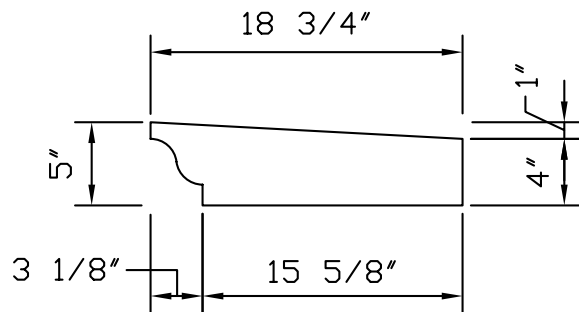
MISC. WALL COPING



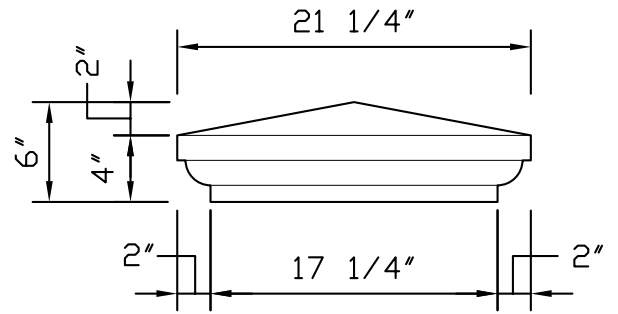
WC-232
(END)



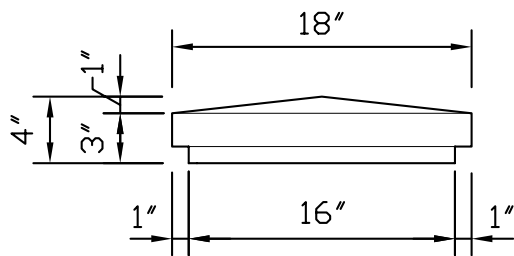
WC-150-0518
(END)



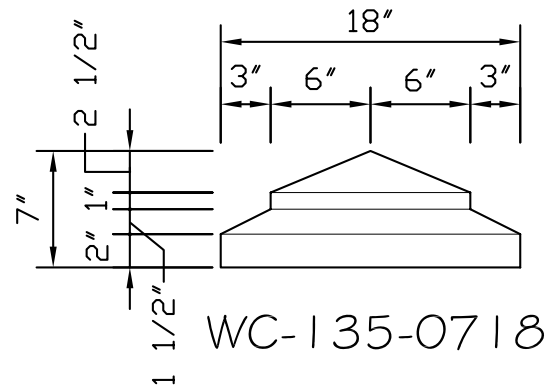
WC-133-0517



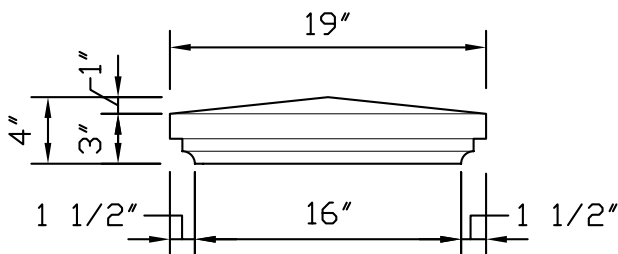
WC-300-E
(END)



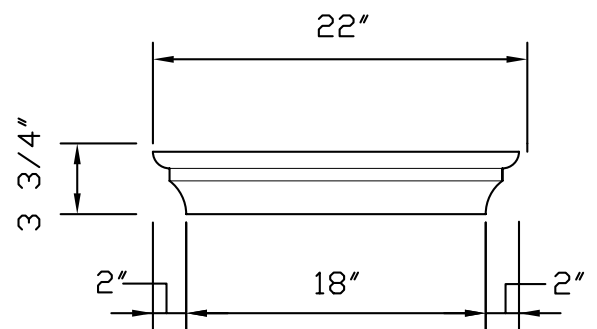
WC-173



WC-135-0718



WC-162-0419-48
(END)



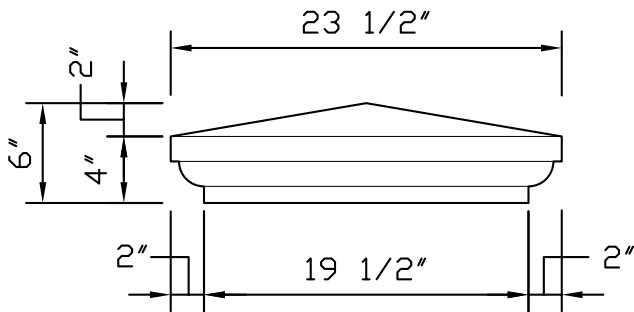
WC-815-RTN



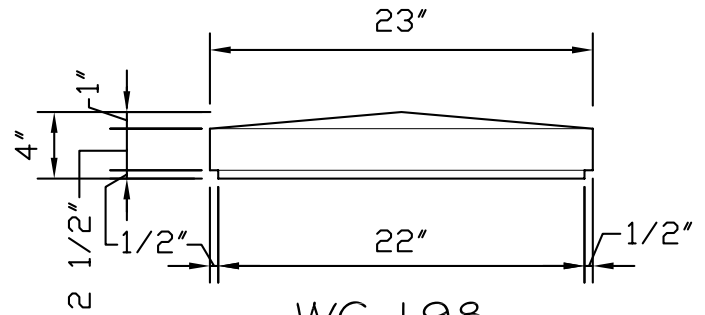
ABBREVIATED TERMS:
STR-STRAIGHT, LRT-LEFT RETURN, RRT-RIGHT RETURN
COR-CORNER, ALTCOR-ALTERNATE CORNER, END-END CAP

4280 WAYSIDE COURT LILBURN, GA. 30047. (770)921-9788. FAX 921-9910

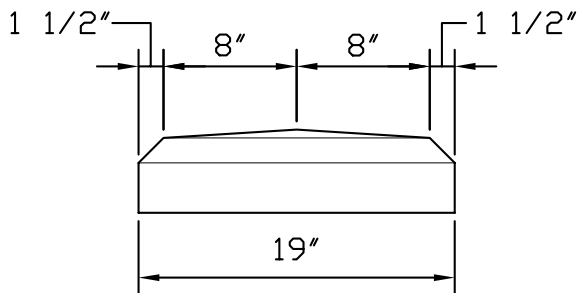
MISC. WALL COPING



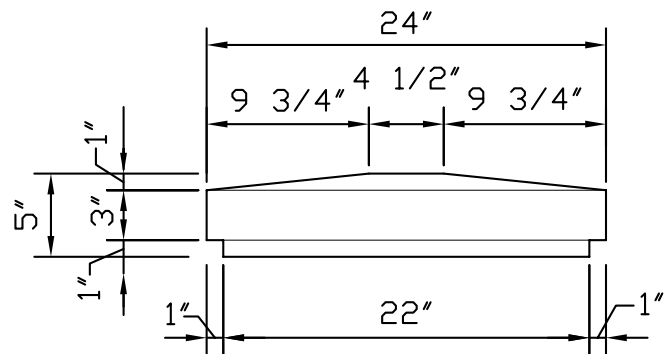
WC-300-D



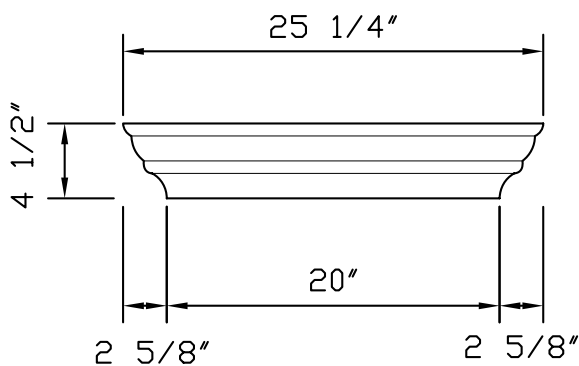
WC-198
(END)



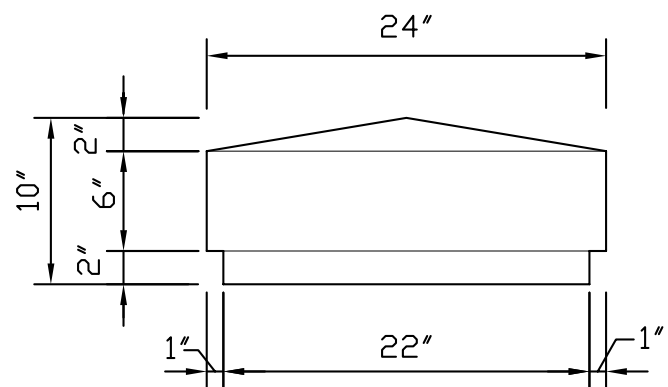
WC-735
(END)



WC-149-0524-60



WC-107-2030
(END)



WC-206

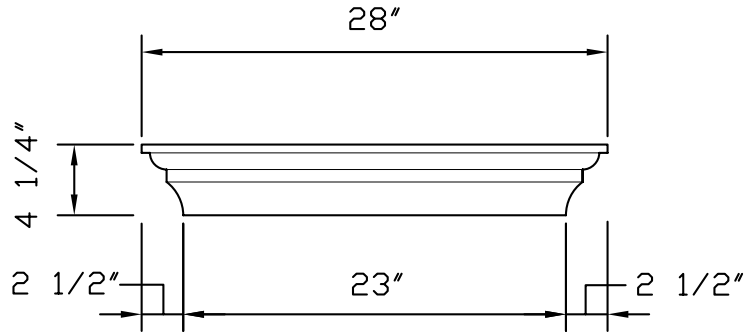


ABBREVIATED TERMS:

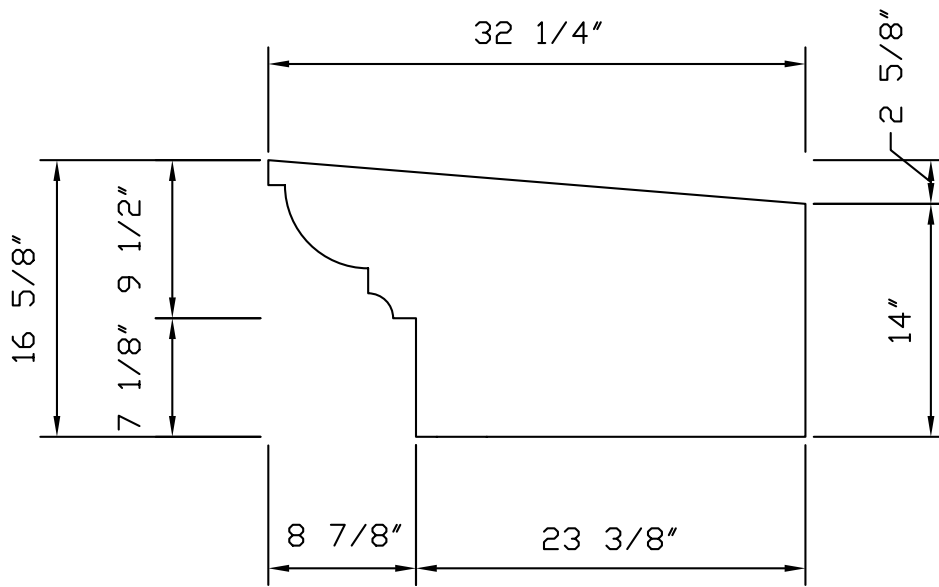
STR-STRAIGHT, LRT-LEFT RETURN, RRT-RIGHT RETURN
COR-CORNER, ALTCOR-ALTERNATE CORNER, END-END CAP

4280 WAYSIDE COURT LILBURN, GA. 30047. (770)921-9788. FAX 921-9910

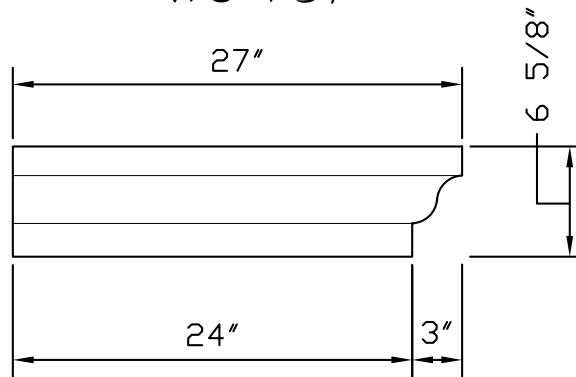
MISC. WALL COPING



WC-814-RTN



WC-167



WC-134-0727

(END)

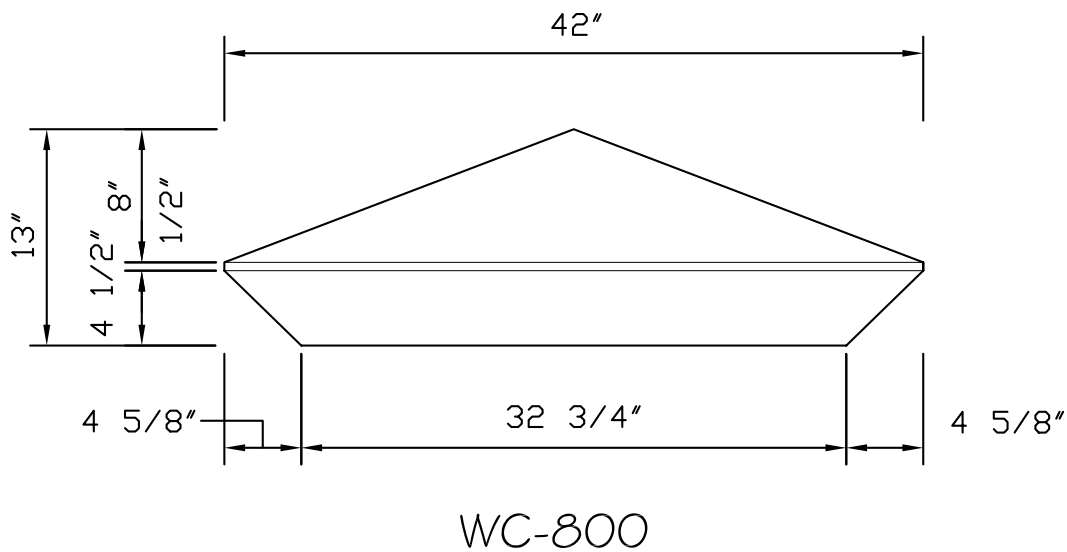
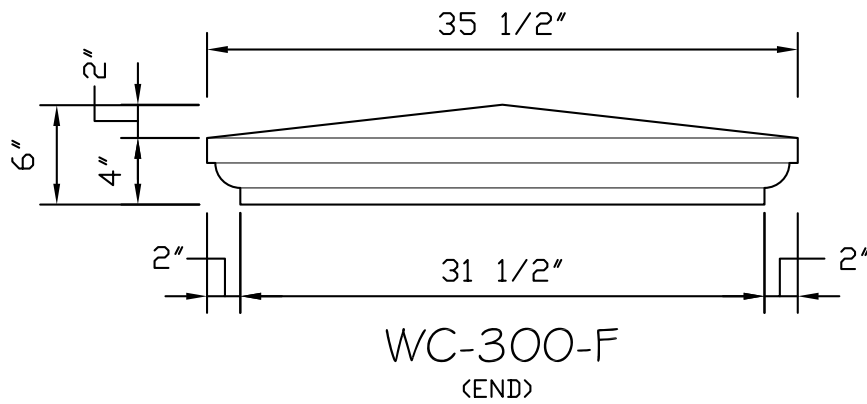
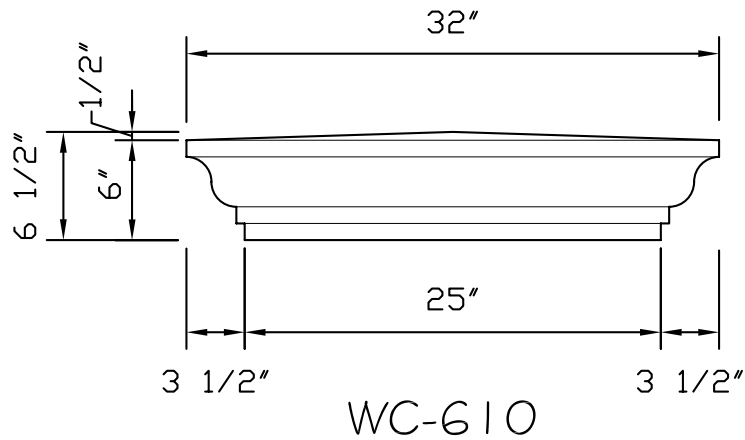


ABBREVIATED TERMS:

STR-STRAIGHT, LRT-LEFT RETURN, RRT-RIGHT RETURN
COR-CORNER, ALTCOR-ALTERNATE CORNER, END-END CAP

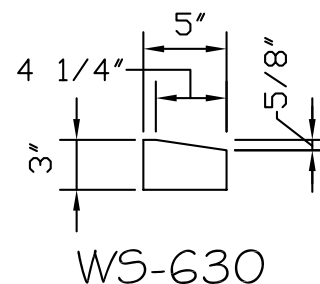
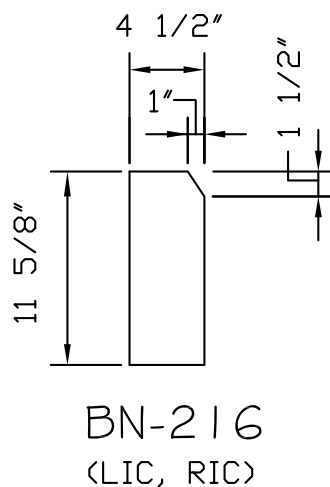
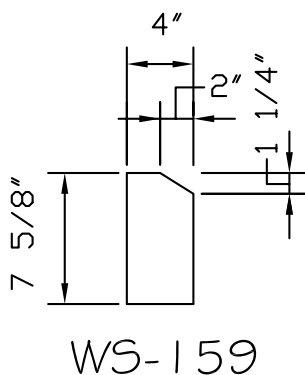
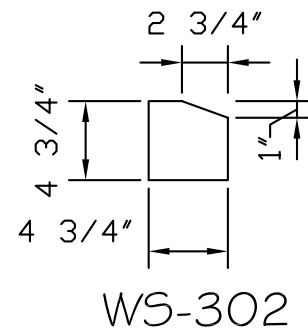
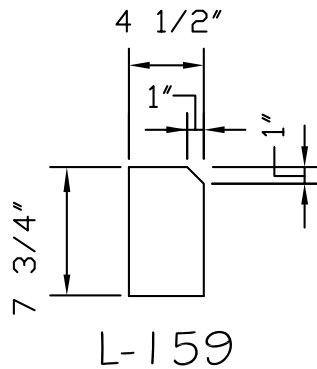
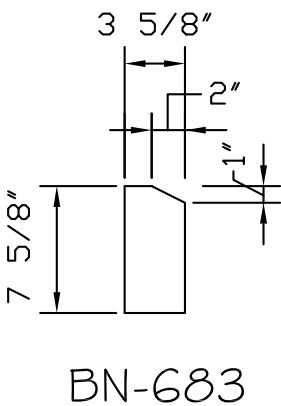
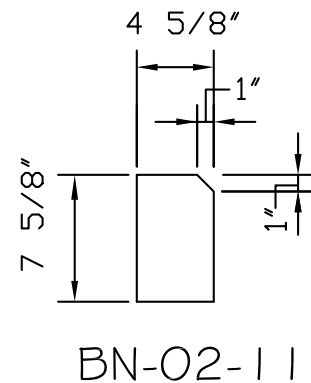
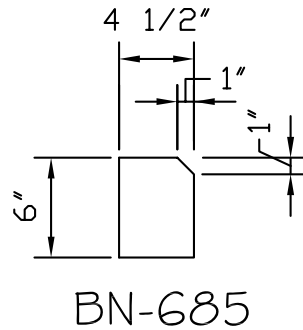
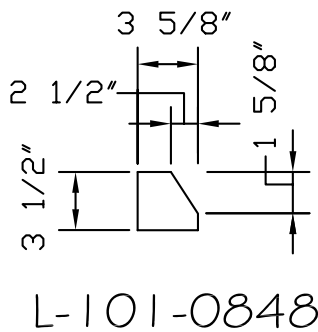
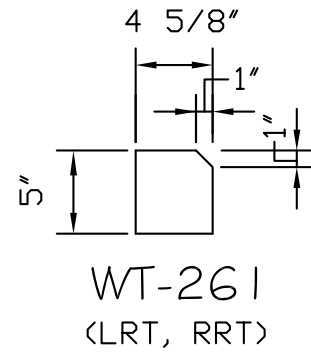
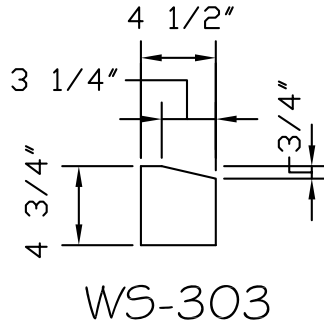
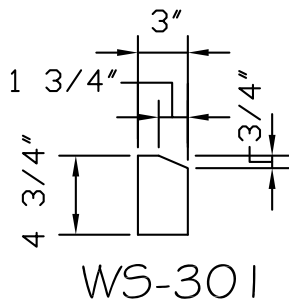
4280 WAYSIDE COURT LILBURN, GA. 30047. (770)921-9788. FAX 921-9910

MISC. WALL COPING



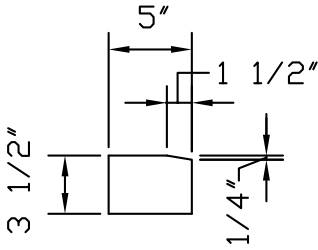
ABBREVIATED TERMS:
 STR-STRAIGHT, LRT-LEFT RETURN, RRT-RIGHT RETURN
 COR-CORNER, ALTCOR-ALTERNATE CORNER, END-END CAP
 4280 WAYSIDE COURT LILBURN, GA. 30047. (770)921-9788. FAX 921-9910

WALL TRIM / WATER TABLE / WINDOW SILLS

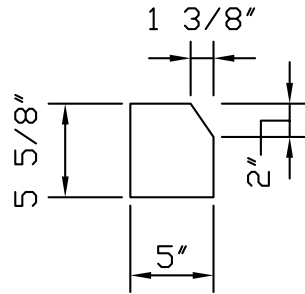


ABBREVIATED TERMS: LIC-LEFT INSIDE CORNER, RIC-RIGHT INSIDE CORNER, LRT-LEFT RETURN, RRT-RIGHT RETURN COR-CORNER, ALTCOR-ALTERNATE CORNER, END-END RETURN
4280 WAYSIDE COURT LILBURN, GA. 30047. (770)921-9788. FAX 921-9910

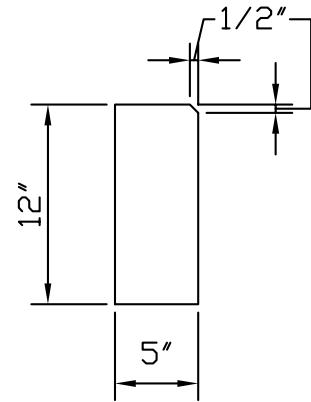
WALL TRIM / WATER TABLE / WINDOW SILLS



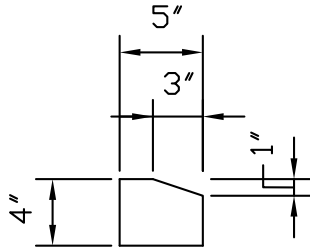
WS-247



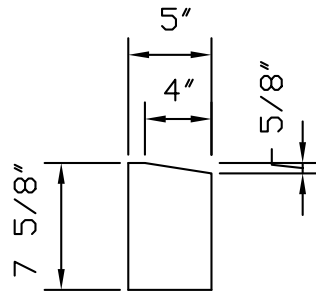
WT-304
(LIC&RIC, LRT&RRT)



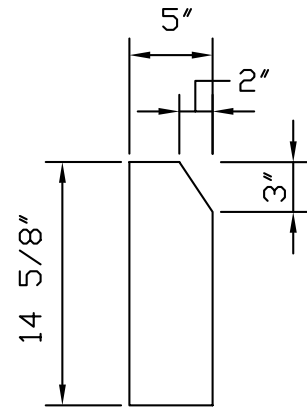
WT-278



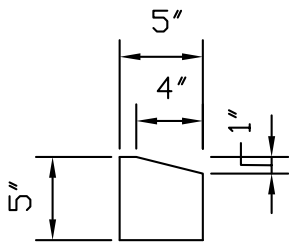
WS-637



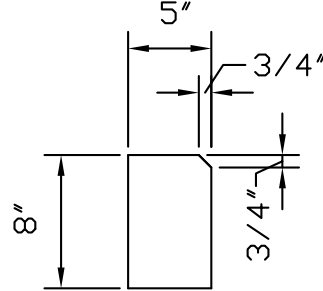
WS-214



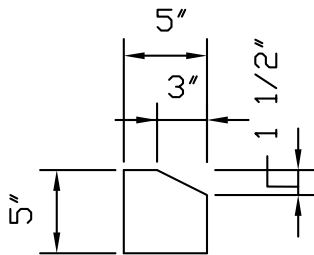
PL-340
(LRT, RRT)



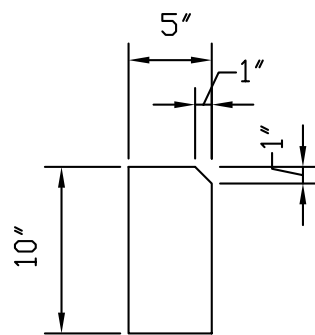
WS-246



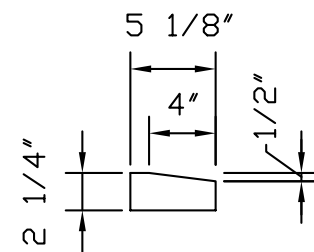
WT-277



WS-210



WT-150-0510-62
(LRT, RRT)



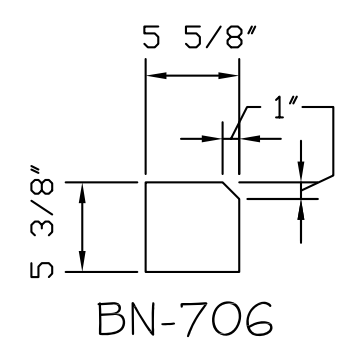
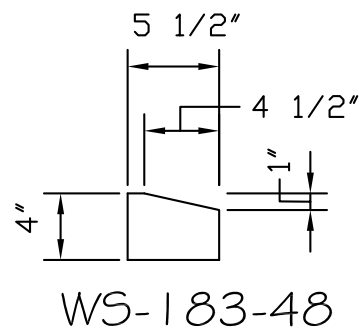
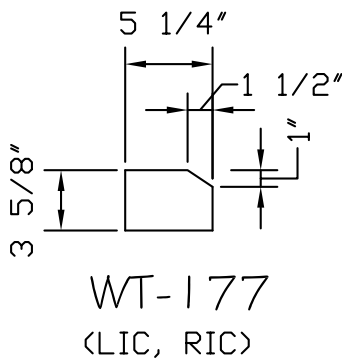
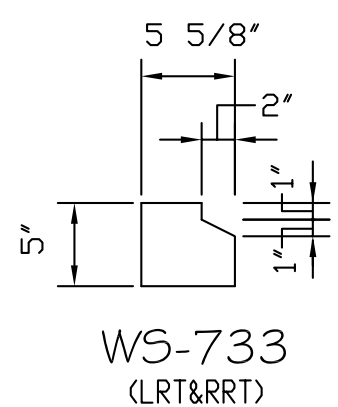
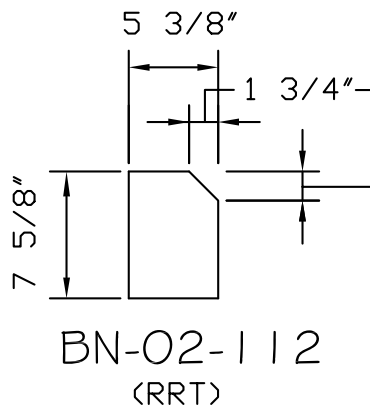
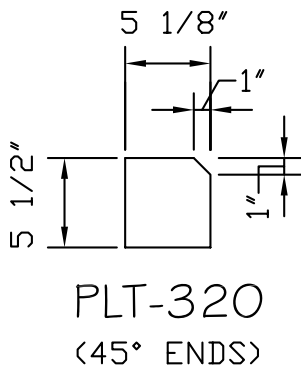
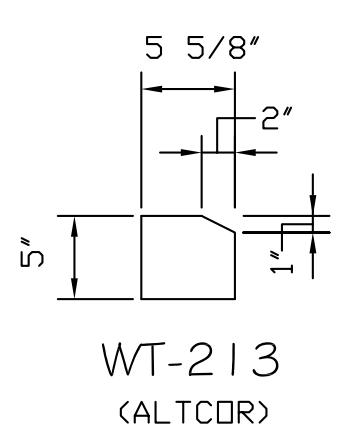
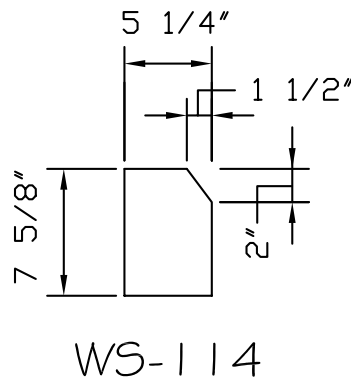
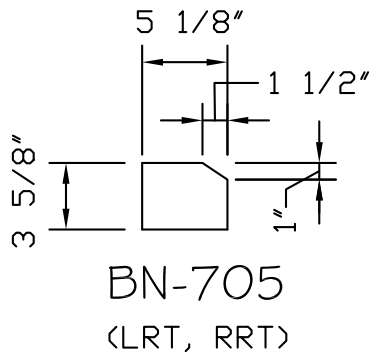
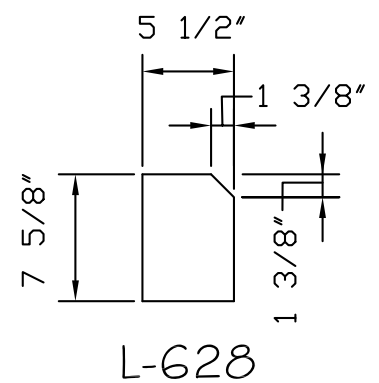
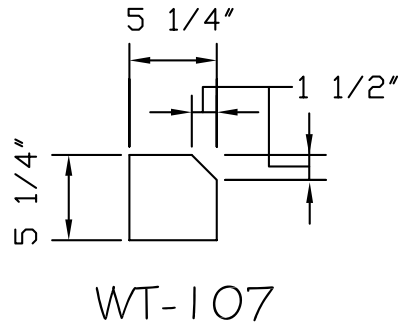
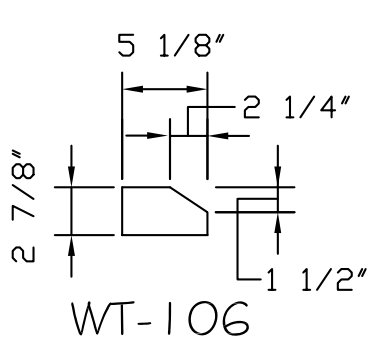
WS-248-C



ABBREVIATED TERMS: LIC-LEFT INSIDE CORNER, RIC-RIGHT INSIDE CORNER, LRT-LEFT RETURN, RRT-RIGHT RETURN COR-CORNER, ALTCOR-ALTERNATE CORNER, END-END RETURN

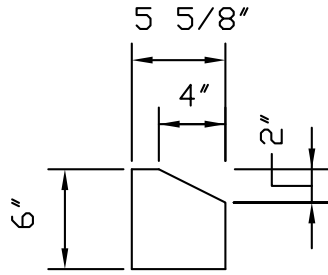
4280 WAYSIDE COURT LILBURN, GA. 30047. (770)921-9788. FAX 921-9910

WALL TRIM / WATER TABLE / WINDOW SILLS

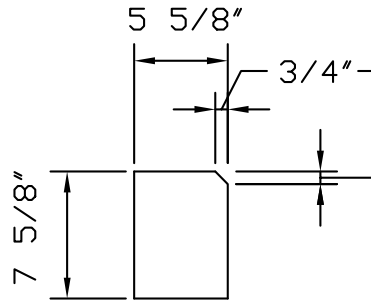


ABBREVIATED TERMS: LIC-LEFT INSIDE CORNER, RIC-RIGHT INSIDE CORNER, LRT-LEFT RETURN, RRT-RIGHT RETURN COR-CORNER, ALTCOR-ALTERNATE CORNER, END-END RETURN
4280 WAYSIDE COURT LILBURN, GA. 30047. (770)921-9788. FAX 921-9910

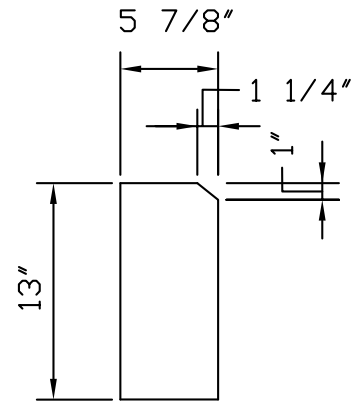
WALL TRIM / WATER TABLE / WINDOW SILLS



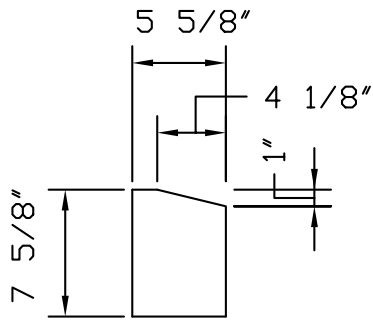
WS-190



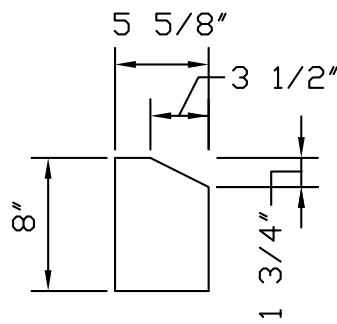
WT-312-C



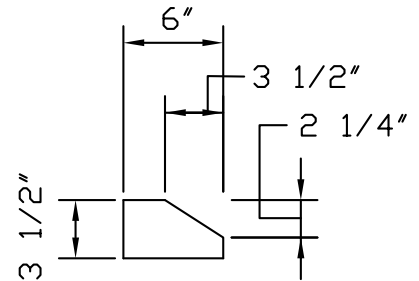
L-631



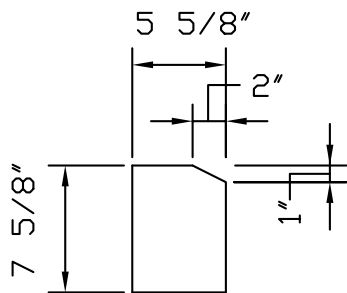
WS-176



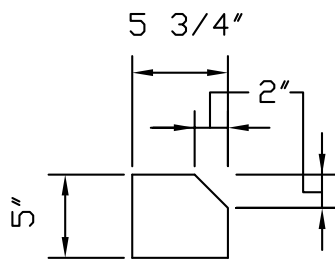
BN-714



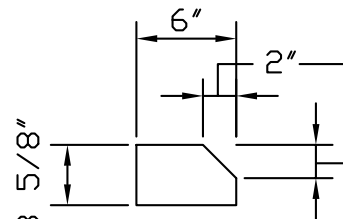
WS-676



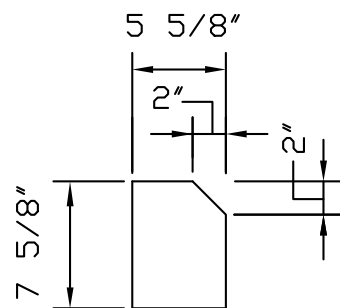
WS-177



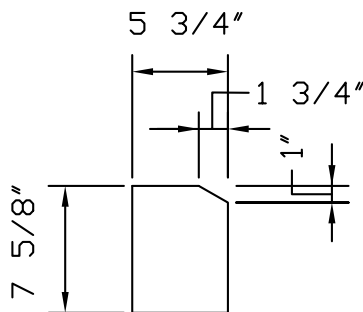
WT-148-05X5.75



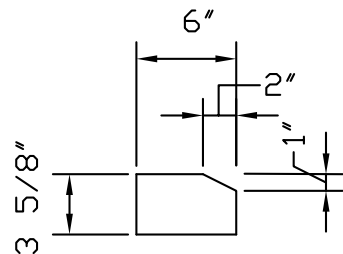
WS-699



BN-02-113, BN-662
(LRT, RRT)



WS-202-STR



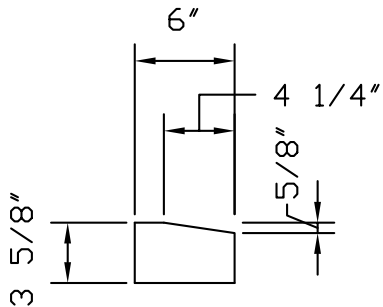
WT-214



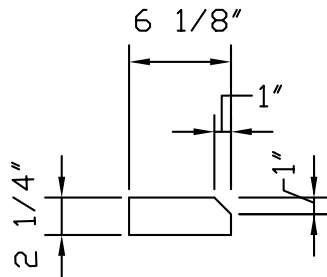
ABBREVIATED TERMS: LIC-LEFT INSIDE CORNER, RIC-RIGHT INSIDE CORNER, LRT-LEFT RETURN, RRT-RIGHT RETURN COR-CORNER, ALTCOR-ALTERNATE CORNER, END-END RETURN

4280 WAYSIDE COURT LILBURN, GA. 30047. (770)921-9788. FAX 921-9910

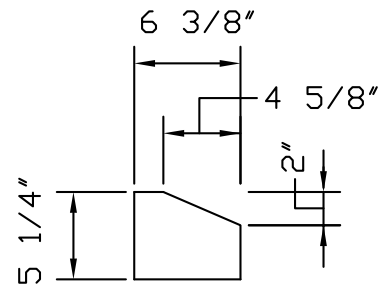
WALL TRIM / WATER TABLE / WINDOW SILLS



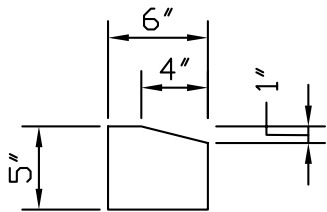
WS-158-55.25
WS-158-60



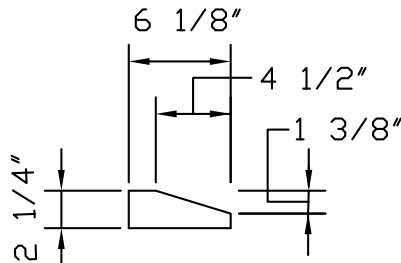
WS-228



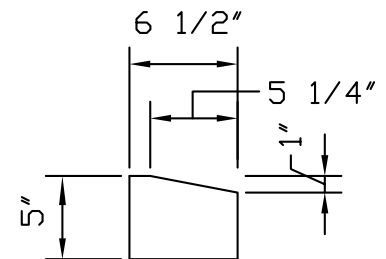
WS-230



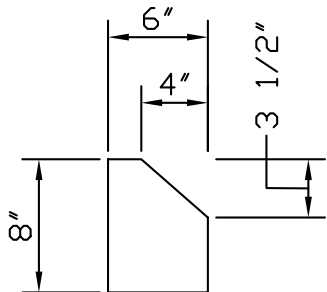
WS-727
(LRT&RRT)



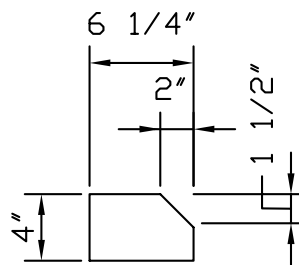
WS-248



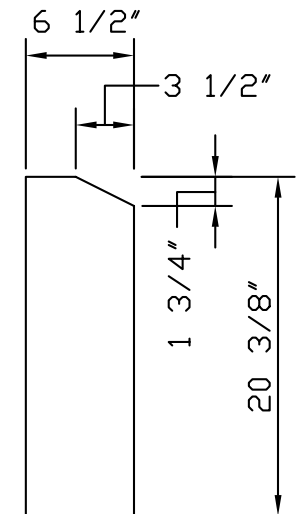
WT-299



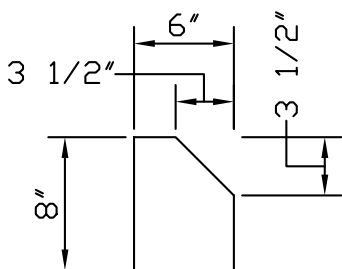
BN-733
(LIC&RIC, LRT&RRT)



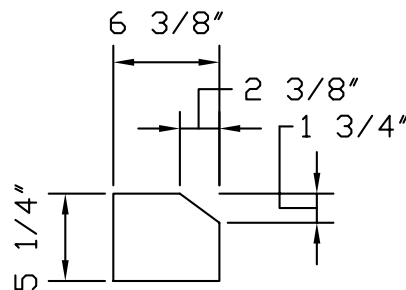
WS-731
(LIC&RIC)



BN-719
(LRT, RRT)



BN-725
(LRT)



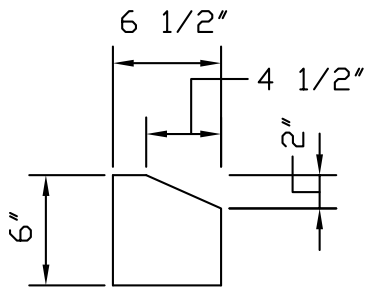
BN-717
(LRT, RRT)



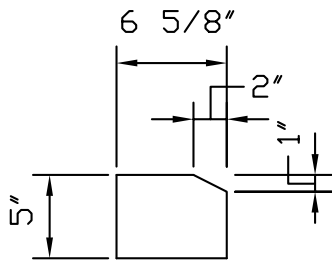
ABBREVIATED TERMS: LIC-LEFT INSIDE CORNER, RIC-RIGHT INSIDE CORNER, LRT-LEFT RETURN, RRT-RIGHT RETURN COR-CORNER, ALTCOR-ALTERNATE CORNER, END-END RETURN

4280 WAYSIDE COURT LILBURN, GA. 30047. (770)921-9788. FAX 921-9910

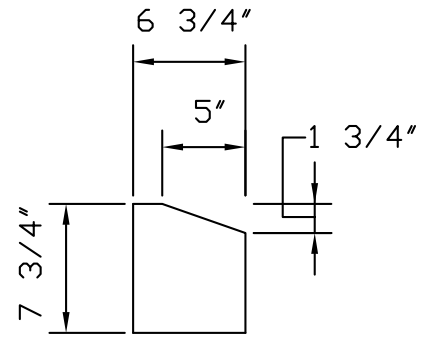
WALL TRIM / WATER TABLE / WINDOW SILLS



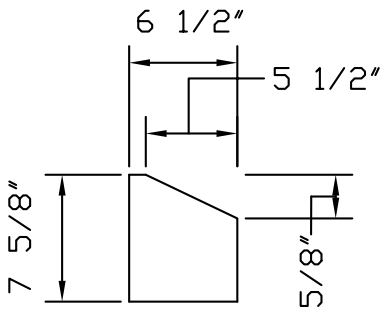
WS-627
(LRT, RIC)



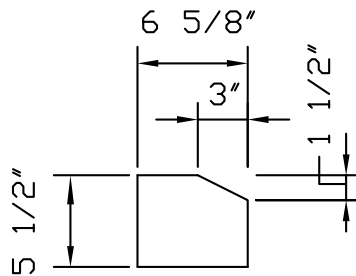
WT-214-CRNR
(CORNER)



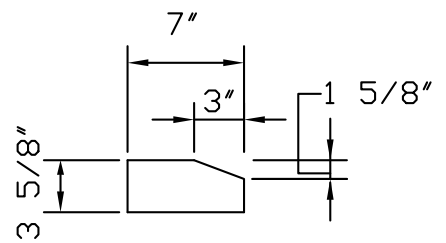
WS-155



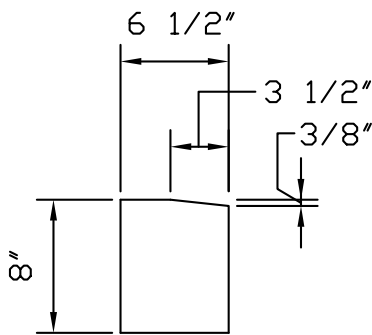
WS-299



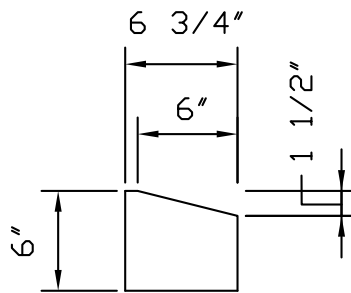
WT-219



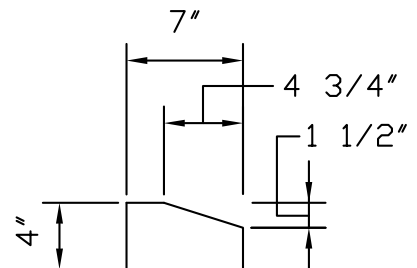
WT-243
(LRT, RRT)



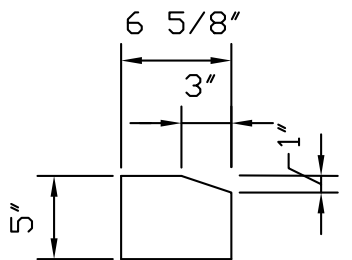
WS-194



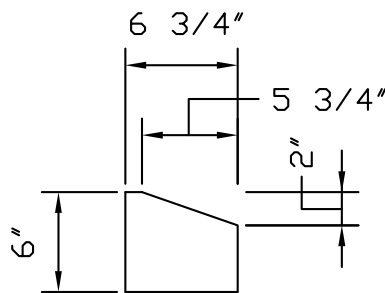
WS-678
(LRT, RRT ONLY)



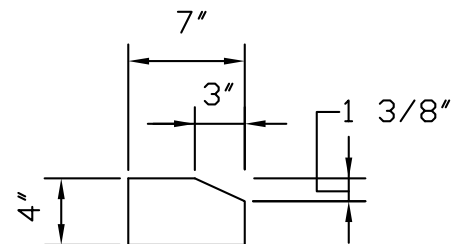
WS-134-0407



WT-152-0705
(LRT, RRT)



WS-157



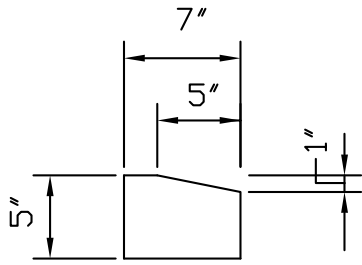
WS-672



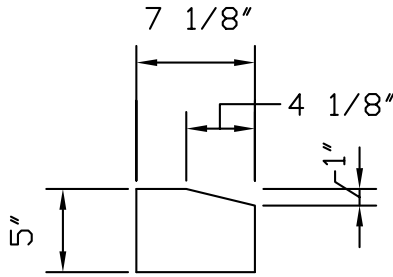
ABBREVIATED TERMS: LIC-LEFT INSIDE CORNER, RIC-RIGHT INSIDE CORNER, LRT-LEFT RETURN, RRT-RIGHT RETURN COR-CORNER, ALTCOR-ALTERNATE CORNER, END-END RETURN

4280 WAYSIDE COURT LILBURN, GA. 30047. (770)921-9788. FAX 921-9910

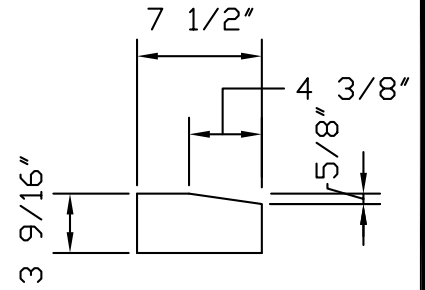
WALL TRIM / WATER TABLE / WINDOW SILLS



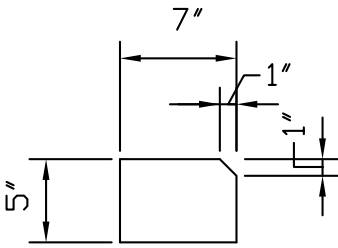
BN-723
(LIC&RIC, LRT&RRT)



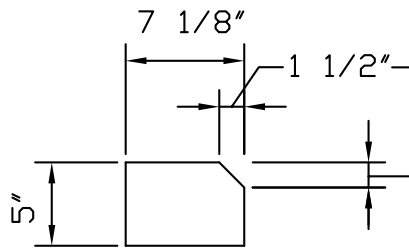
BN-232
(LIC&RIC, LRT&RRT)



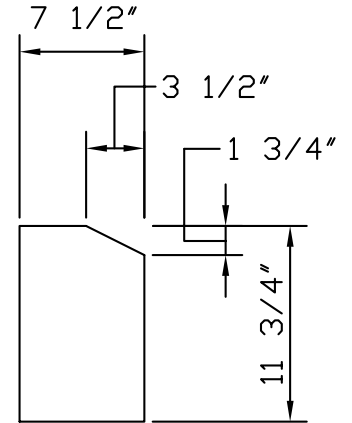
WS-300



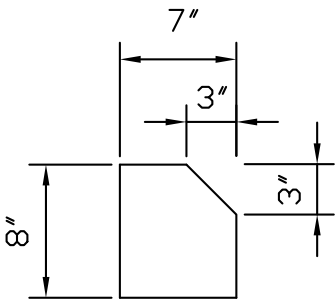
WC-712
(LRT, RRT)



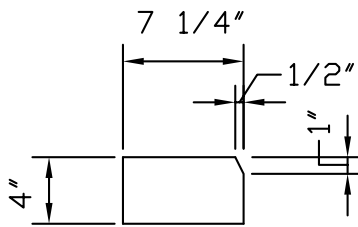
WT-153-A



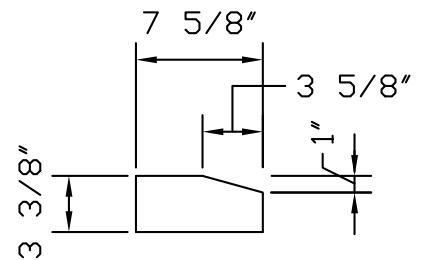
BN-720
(LRT, RRT)



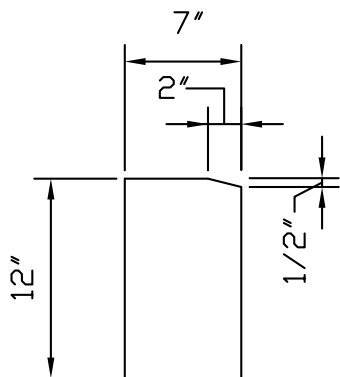
WT-151-0708
(CORNER)



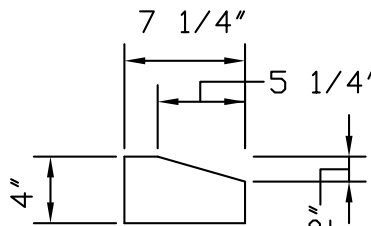
WT-171



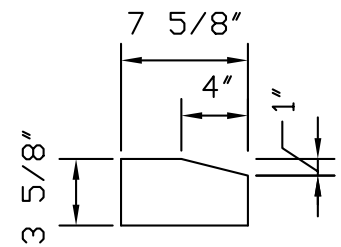
WS-681



L-117



WS-725



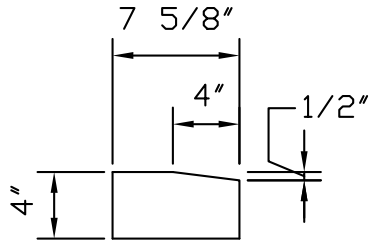
BN-704-RTN
(LRT, RRT)



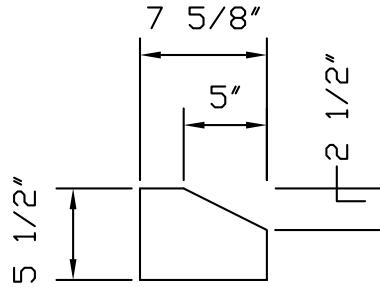
ABBREVIATED TERMS: LIC-LEFT INSIDE CORNER, RIC-RIGHT INSIDE CORNER, LRT-LEFT RETURN, RRT-RIGHT RETURN
COR-CORNER, ALTCOR-ALTERNATE CORNER, END-END RETURN

4280 WAYSIDE COURT LILBURN, GA. 30047. (770)921-9788. FAX 921-9910

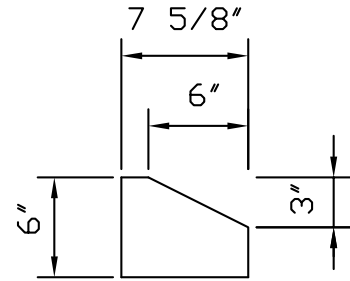
WALL TRIM / WATER TABLE / WINDOW SILLS



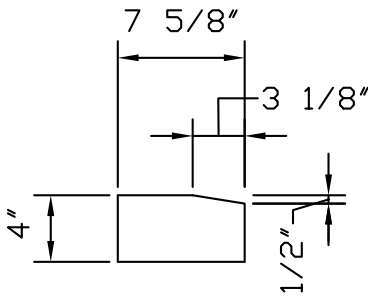
WS-169



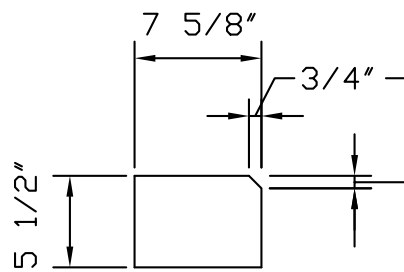
WT-217



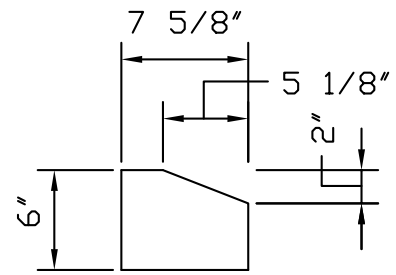
WS-189
(LRT)



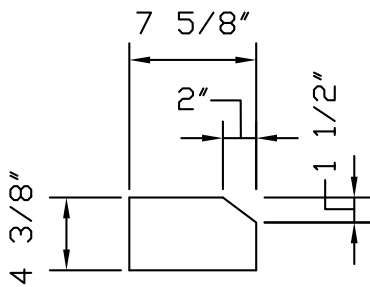
WC-603



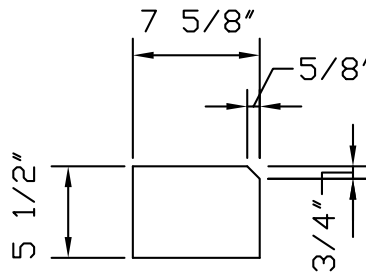
WS-156



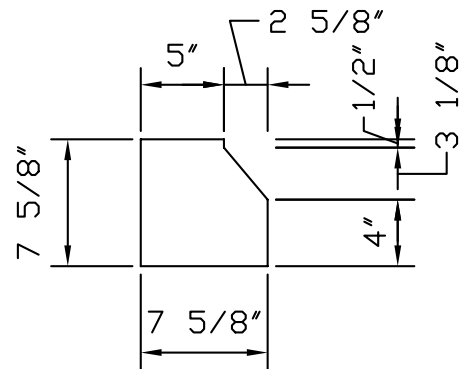
WS-151-5.5x7.625



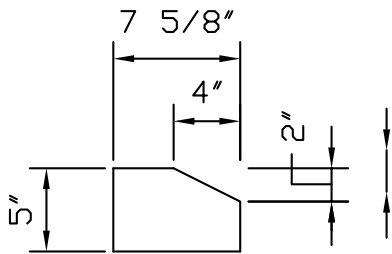
WS-695



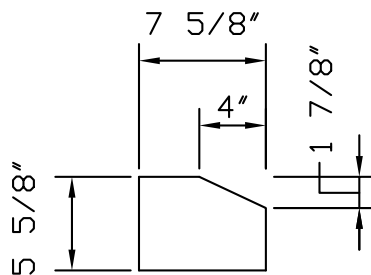
BN-643



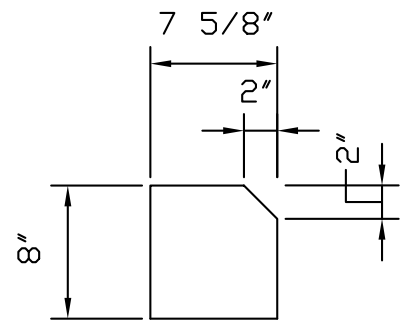
WS-107



WT-212, WT-218
(ALTCOR)



BN-682, WC-02-221



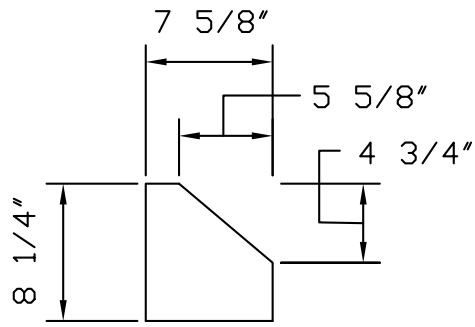
WS-698
(LRT, RRT)



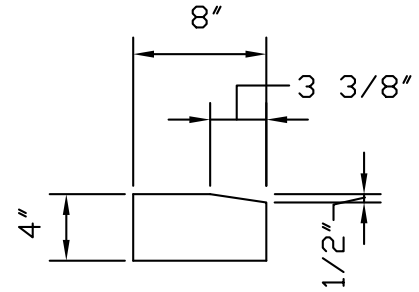
ABBREVIATED TERMS: LIC-LEFT INSIDE CORNER, RIC-RIGHT INSIDE CORNER, LRT-LEFT RETURN, RRT-RIGHT RETURN COR-CORNER, ALTCOR-ALTERNATE CORNER, END-END RETURN

4280 WAYSIDE COURT LILBURN, GA. 30047. (770)921-9788. FAX 921-9910

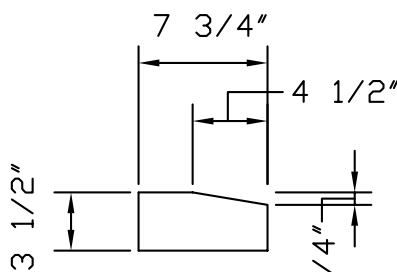
WALL TRIM / WATER TABLE / WINDOW SILLS



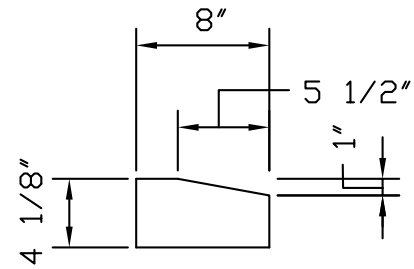
WS-242



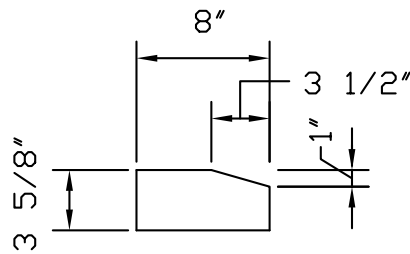
WS-320



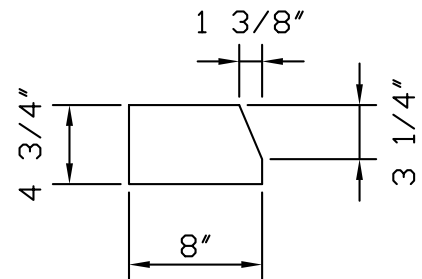
BN-695
(LRT, RRT)



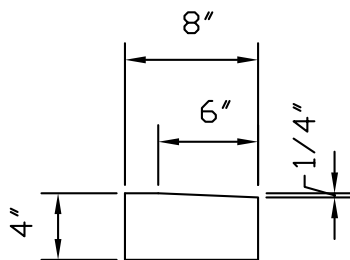
WS-312



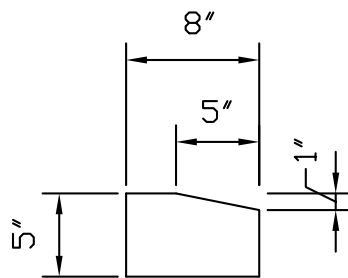
WS-180-52



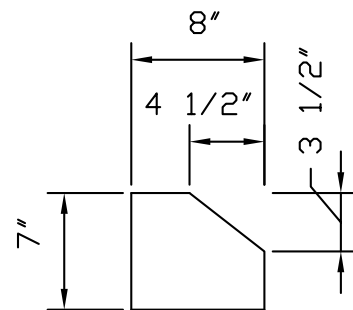
WT-301



WS-226-1



BN-743
(IN & OUT)
(LRT, RRT)

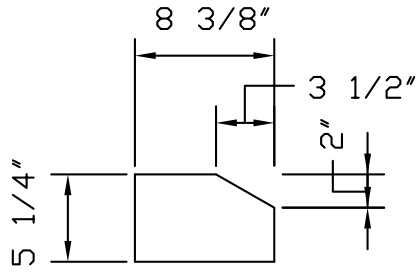


L-02-169

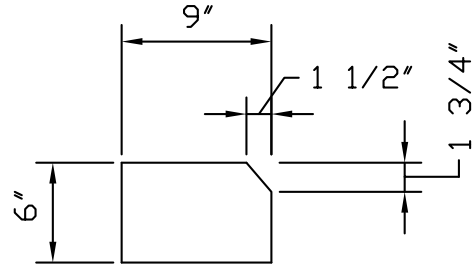


ABBREVIATED TERMS: LIC-LEFT INSIDE CORNER, RIC-RIGHT INSIDE CORNER, LRT-LEFT RETURN, RRT-RIGHT RETURN COR-CORNER, ALTCOR-ALTERNATE CORNER, END-END RETURN
4280 WAYSIDE COURT LILBURN, GA. 30047. (770)921-9788. FAX 921-9910

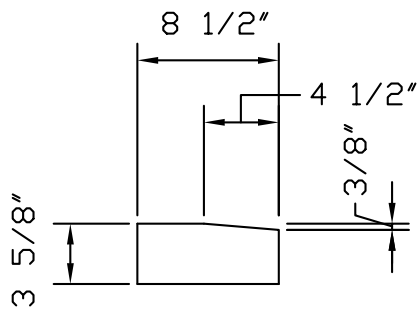
WALL TRIM / WATER TABLE / WINDOW SILLS



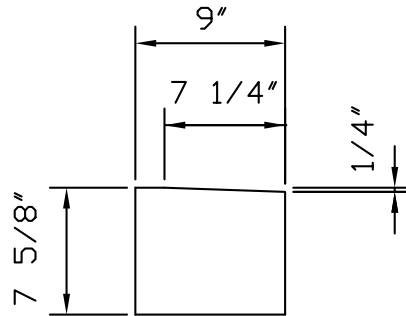
WS-229



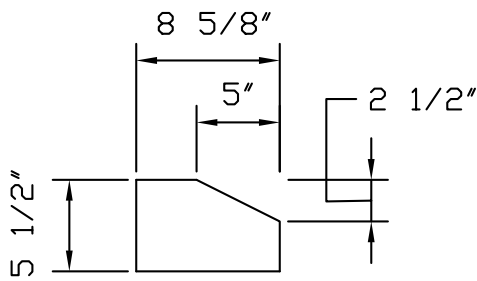
WC-122-0948



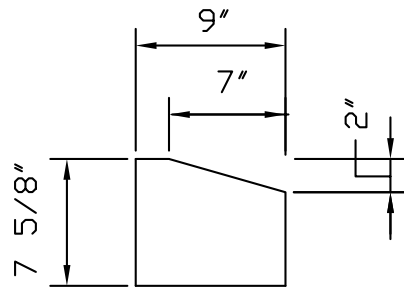
WT-142-3.5-8.5
(LRT,RRT)



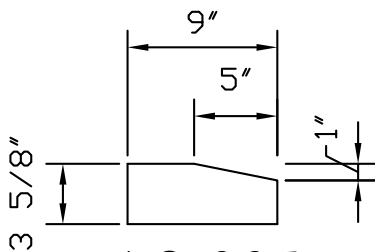
WS-219



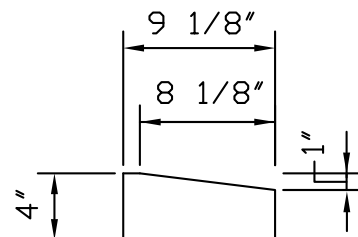
WT-216



WS-226-90-OSC
(ALTCOR)
WT-226 (135° OSC)



WC-667

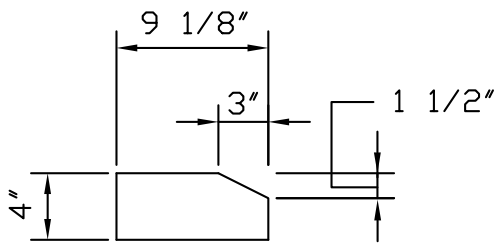


WS-671

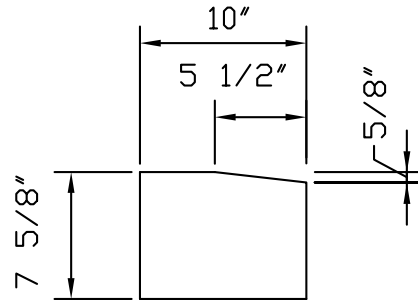


ABBREVIATED TERMS: LIC-LEFT INSIDE CORNER, RIC-RIGHT INSIDE CORNER, LRT-LEFT RETURN, RRT-RIGHT RETURN COR-CORNER, ALTCOR-ALTERNATE CORNER, END-END RETURN
4280 WAYSIDE COURT LILBURN, GA. 30047. (770)921-9788. FAX 921-9910

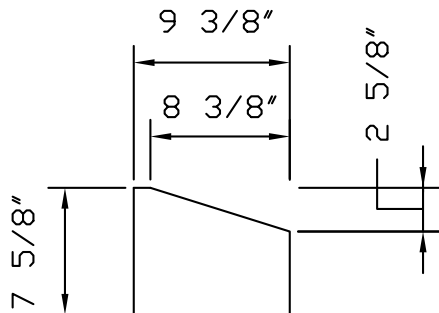
WALL TRIM / WATER TABLE / WINDOW SILLS



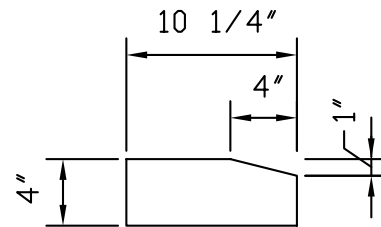
WS-145-0409



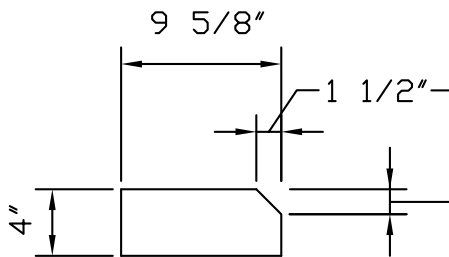
WS-178



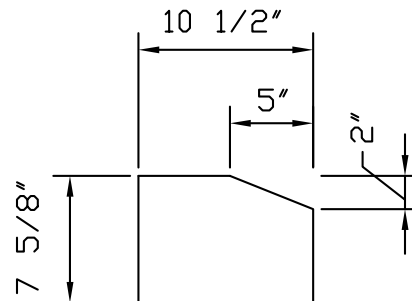
WS-298



WS-700

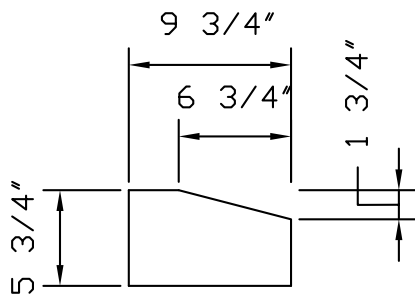


WS-313



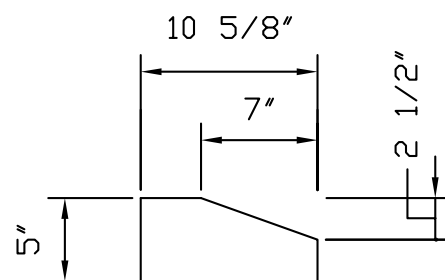
WT-224

<ALTCOR/IN,OUT, 135°IN,OUT>
<LRT,RRT>



WC-813

<IN & OUT>
<LRT, RRT>



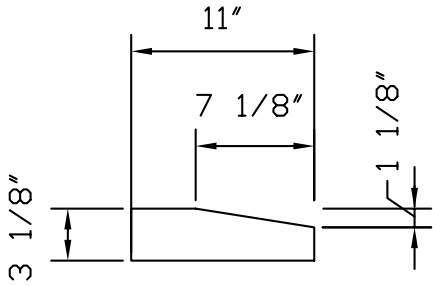
BN-649



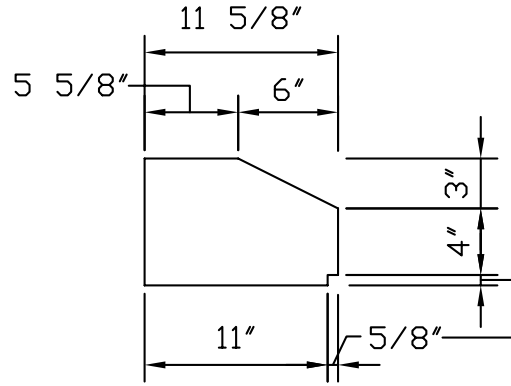
ABBREVIATED TERMS: LIC-LEFT INSIDE CORNER, RIC-RIGHT INSIDE CORNER, LRT-LEFT RETURN, RRT-RIGHT RETURN COR-CORNER, ALTCOR-ALTERNATE CORNER, END-END RETURN

4280 WAYSIDE COURT LILBURN, GA. 30047. (770)921-9788. FAX 921-9910

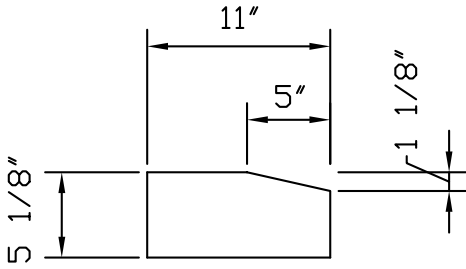
WALL TRIM / WATER TABLE / WINDOW SILLS



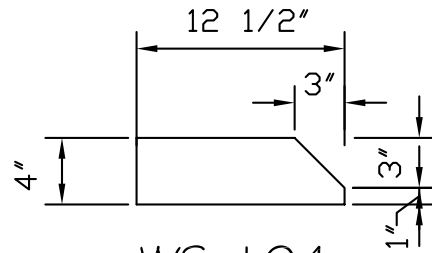
WS-137-03 | |



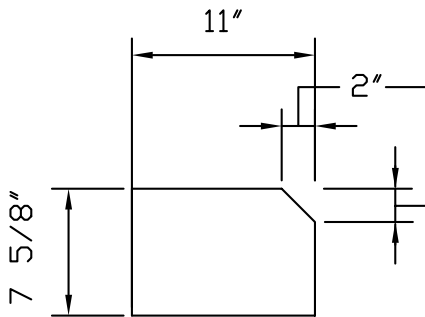
WS-150-08 | 2-56



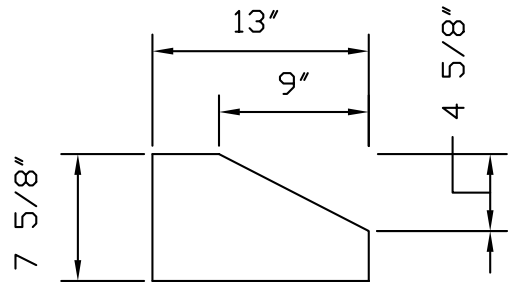
WT-202
(LRT, RRT)



WS-104

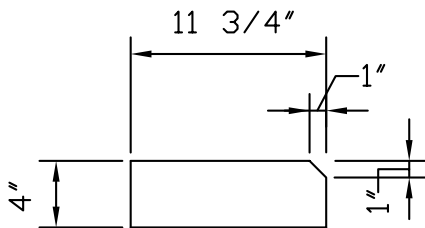


WS-305

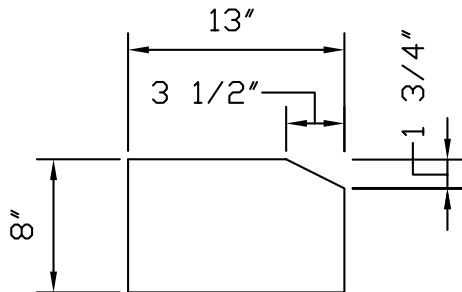


WT-149-08 | 3-48-STR

WT-149-08 | 3-50-RT
(LIC&RIC, LRT&RRT)



WC-745
(LRT, RRT)



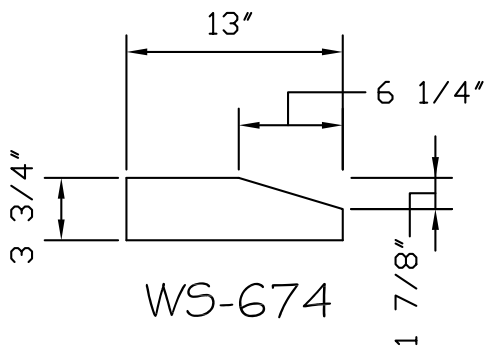
WC-797
(LRT, RRT)



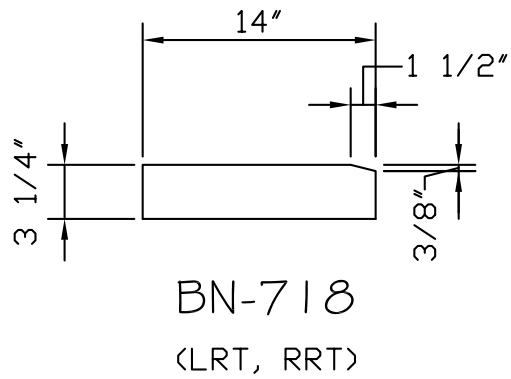
ABBREVIATED TERMS: LIC—LEFT INSIDE CORNER, RIC—RIGHT INSIDE CORNER, LRT—LEFT RETURN, RRT—RIGHT RETURN COR—CORNER, ALTCOR—ALTERNATE CORNER, END—END RETURN

4280 WAYSIDE COURT LILBURN, GA. 30047. (770)921-9788. FAX 921-9910

WALL TRIM / WATER TABLE / WINDOW SILLS

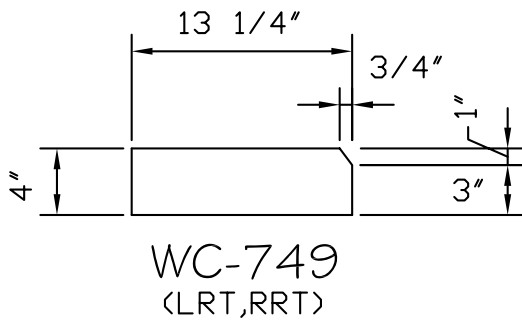


WS-674



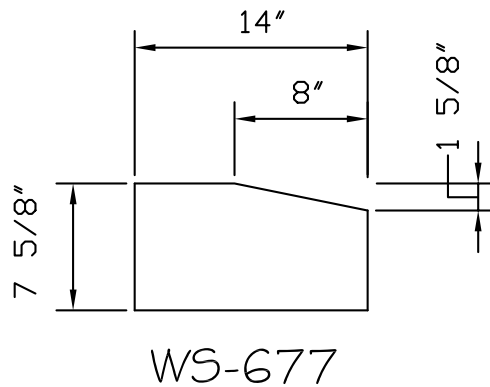
BN-718

(LRT, RRT)

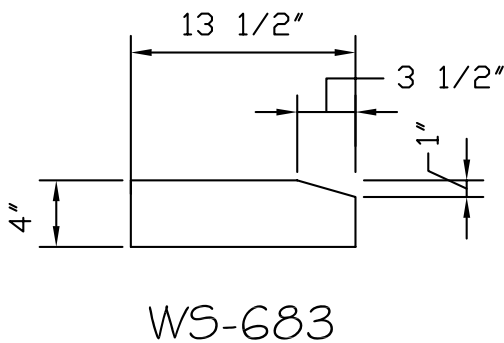


WC-749

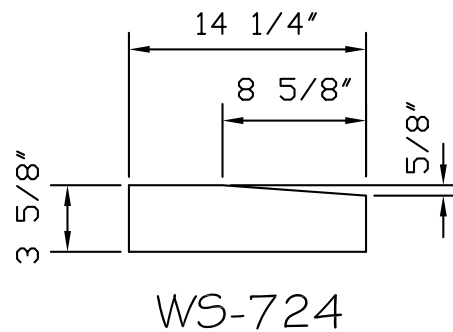
(LRT,RRT)



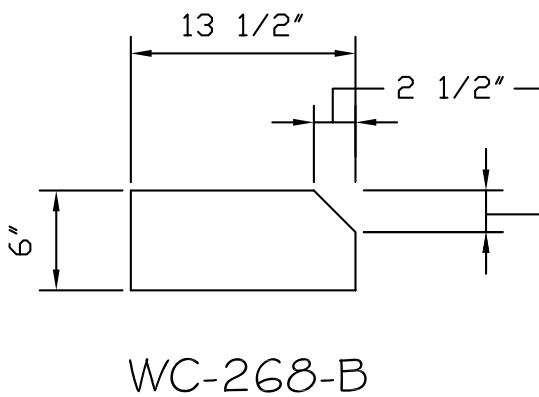
WS-677



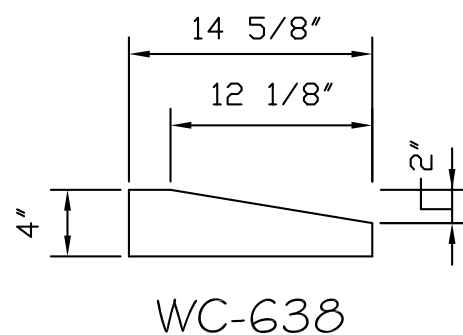
WS-683



WS-724



WC-268-B

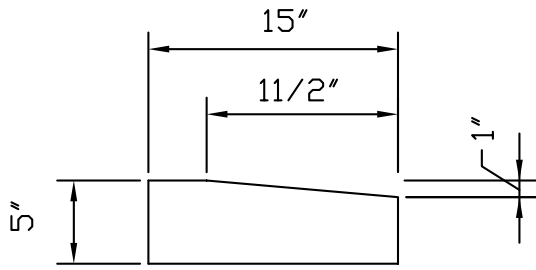


WC-638

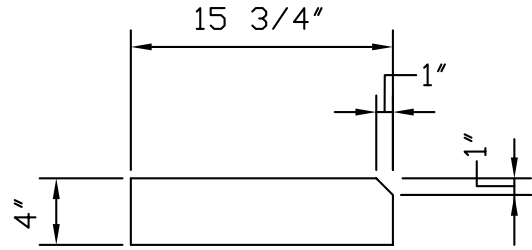


ABBREVIATED TERMS: LIC-LEFT INSIDE CORNER, RIC-RIGHT INSIDE CORNER, LRT-LEFT RETURN, RRT-RIGHT RETURN COR-CORNER, ALTCOR-ALTERNATE CORNER, END-END RETURN
4280 WAYSIDE COURT LILBURN, GA. 30047. (770)921-9788. FAX 921-9910

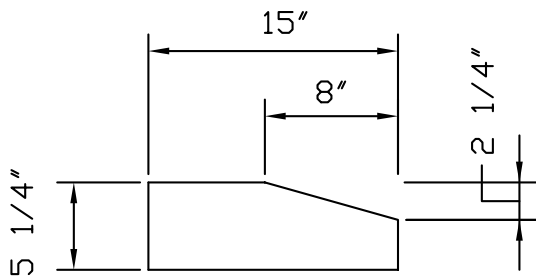
WALL TRIM / WATER TABLE / WINDOW SILLS



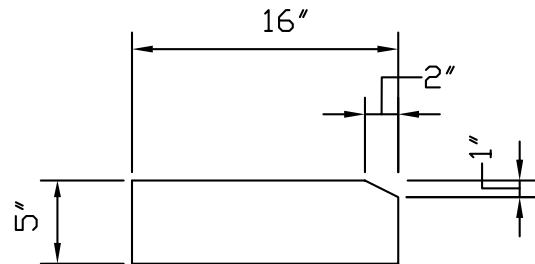
WC-817



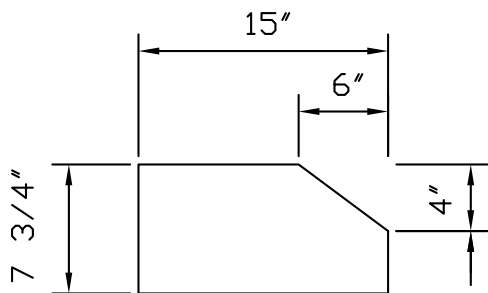
PN-623
(LRT, RRT)



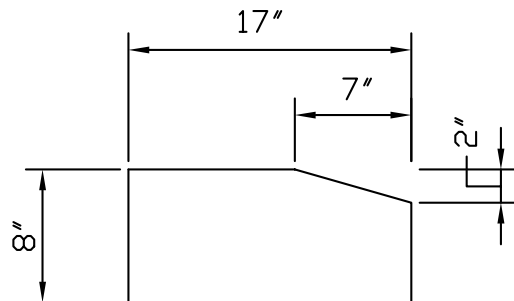
WT-109



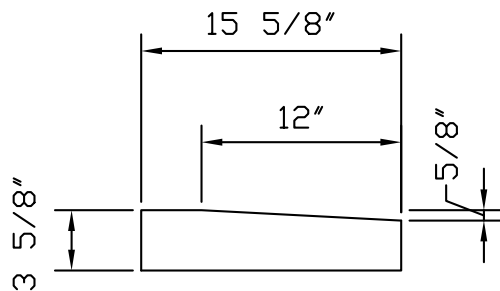
WT-114



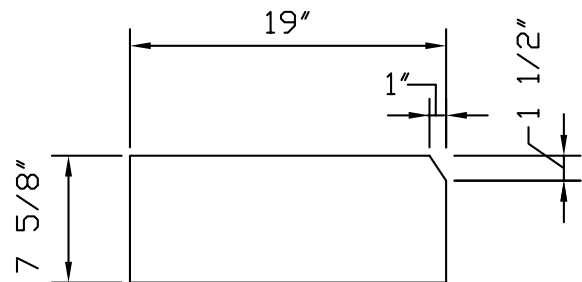
WS-656



WS-02-292



WC-359



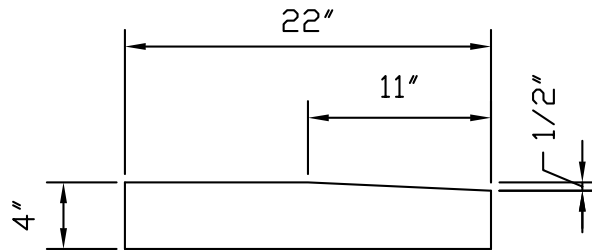
WC-237



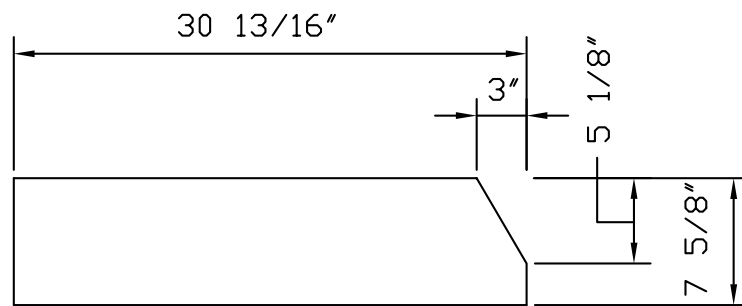
ABBREVIATED TERMS: LIC—LEFT INSIDE CORNER, RIC—RIGHT INSIDE CORNER, LRT—LEFT RETURN, RRT—RIGHT RETURN COR—CORNER, ALTCOR—ALTERNATE CORNER, END—END RETURN

4280 WAYSIDE COURT LILBURN, GA. 30047. (770)921-9788. FAX 921-9910

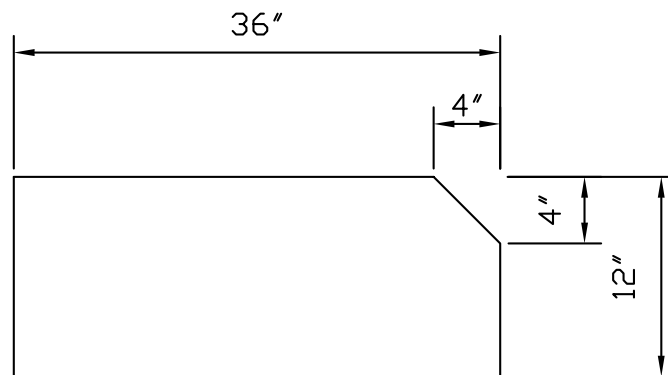
WALL TRIM / WATER TABLE / WINDOW SILLS



WC-234-2



PN-146
(LRT,RRT)

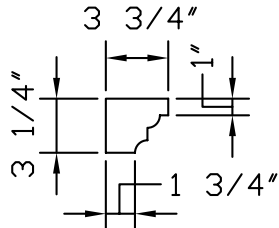


WC-225
(LRT,RRT)

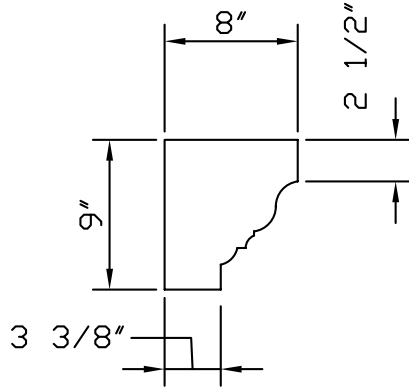


ABBREVIATED TERMS: LIC-LEFT INSIDE CORNER, RIC-RIGHT INSIDE CORNER, LRT-LEFT RETURN, RRT-RIGHT RETURN COR-CORNER, ALTCOR-ALTERNATE CORNER, END-END RETURN
4280 WAYSIDE COURT LILBURN, GA. 30047. (770)921-9788. FAX 921-9910

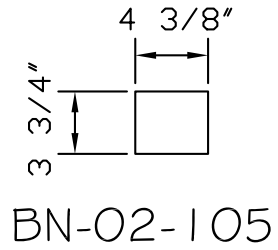
WALL TRIM, MISC. PROFILES



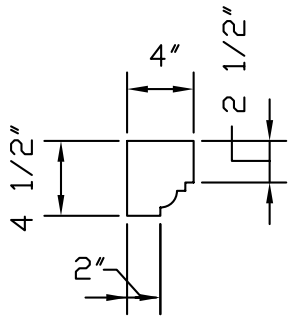
BN-689
(LRT, RRT)



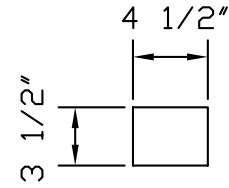
WT-102 (6")
WT-102-B (8")



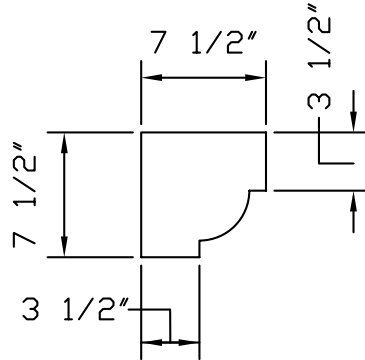
BN-02-105



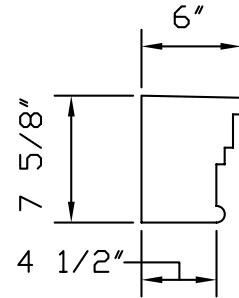
WT-126-04x4.5
(LRT, RRT)



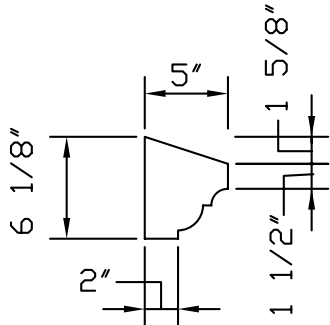
WS-141
3.5-4.5-30.75



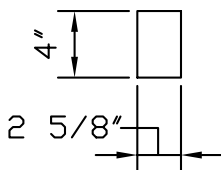
BN-02-109



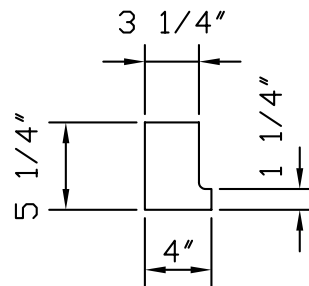
BN-658
(IS RTN)



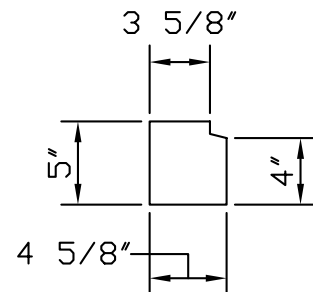
WT-122-0636



BN-716



WT-123-C
(90° CORNER)



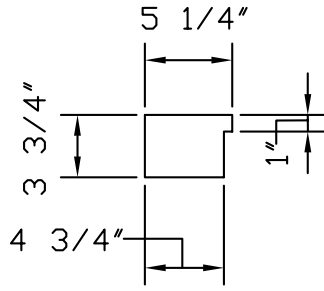
BN-759
(LRT, RRT)



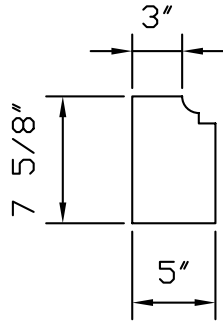
OLDE WORLD
CAST STONE

4280 WAYSIDE COURT LILBURN, GA. 30047. (770)921-9788. FAX 921-9910

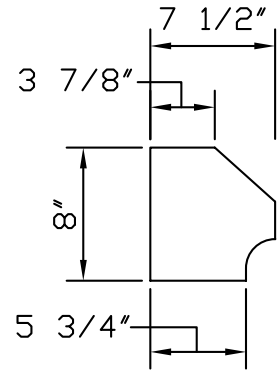
WALL TRIM, MISC. PROFILES



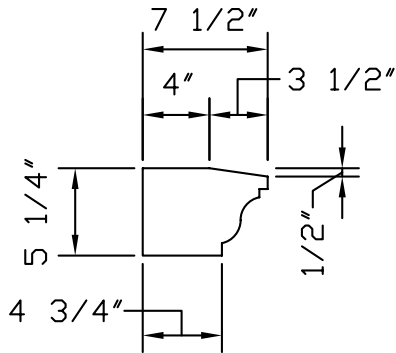
WT-337
(LRT)



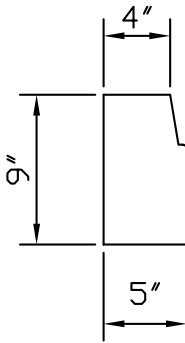
WT-115
(LRT, RRT)



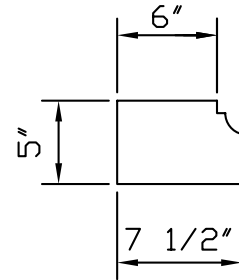
WT-122
(LRT, RRT)



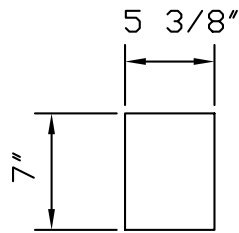
BN-722-40.25-RTN
BN-722-35-RTN
(LRT, RRT)



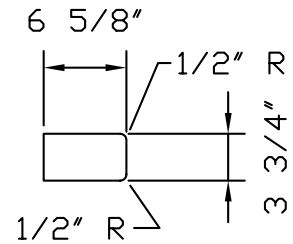
WT-302-A THRU D



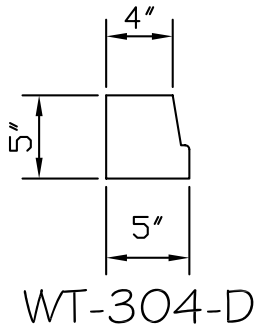
WT-113
(LRT, RRT)



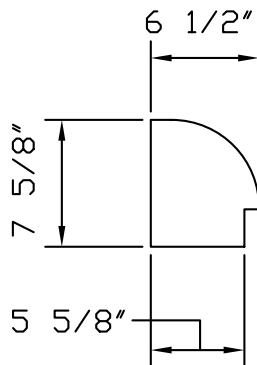
BN-703



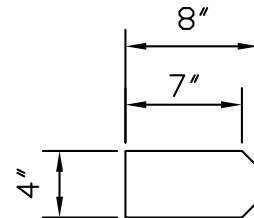
WS-706



WT-304-D



BN-02-108



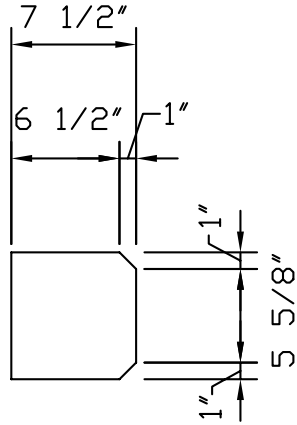
BN-700-RTN
(LRT, RRT)



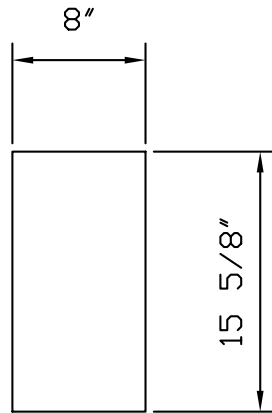
OLDE WORLD
CAST STONE

4280 WAYSIDE COURT LILBURN, GA. 30047. (770)921-9788. FAX 921-9910

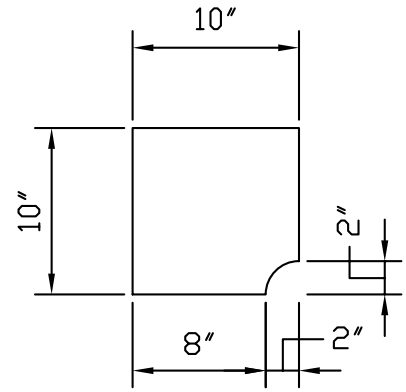
WALL TRIM, MISC. PROFILES



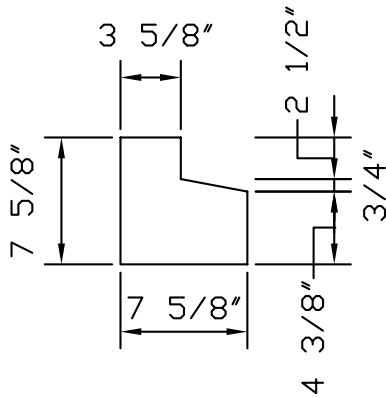
WS-131-107.5
(LRT, RRT)



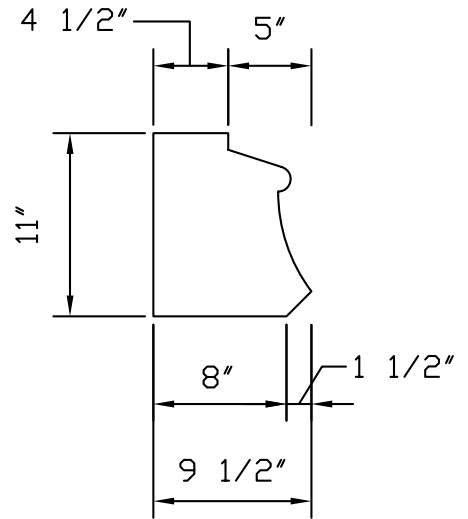
BN-226



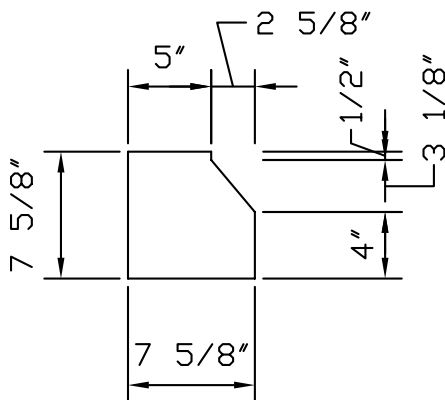
BN-660



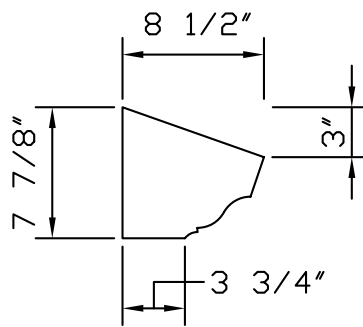
BN-707
(OS RTN, IS RTN)



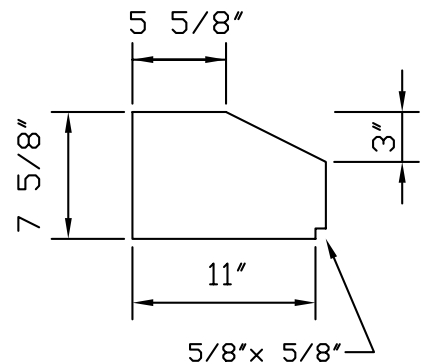
WC-292
(LRT, RRT)



WS-107



WT-102 70°



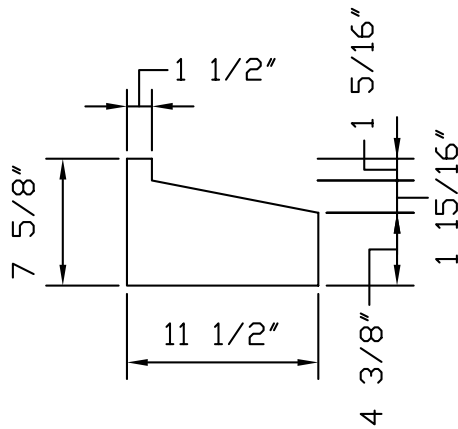
WS-150-0812-56



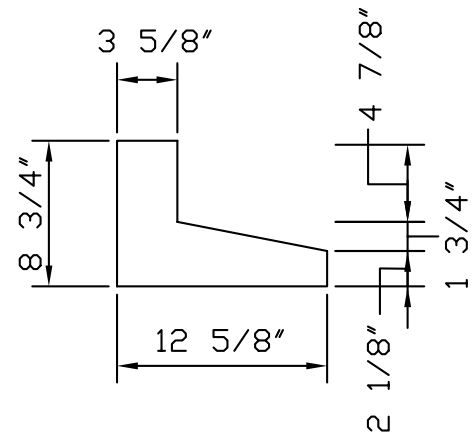
OLDE WORLD
CAST STONE

4280 WAYSIDE COURT LILBURN, GA. 30047. (770)921-9788. FAX 921-9910

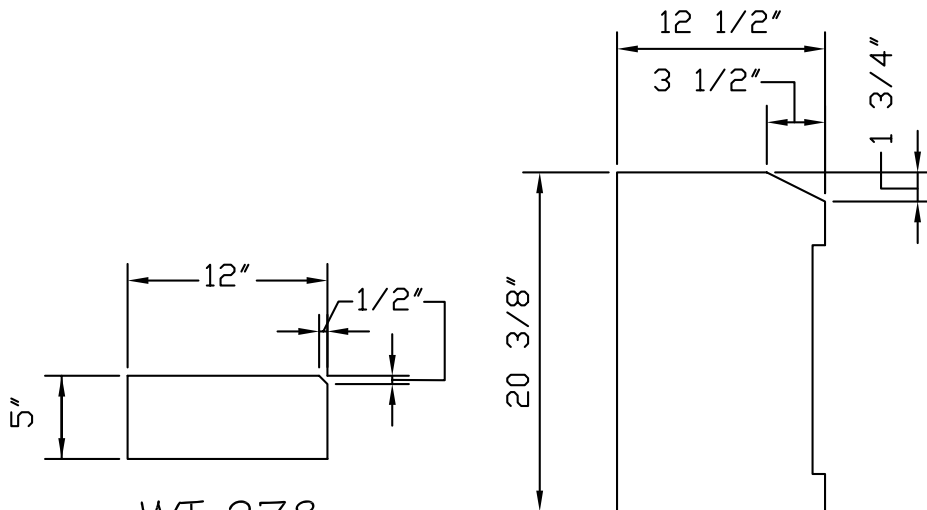
WALL TRIM, MISC. PROFILES



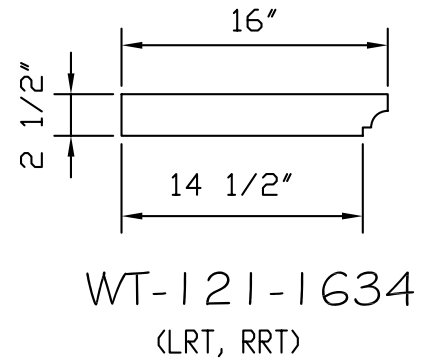
BN-712-IS-RTN
(OS RTN)



BN-223

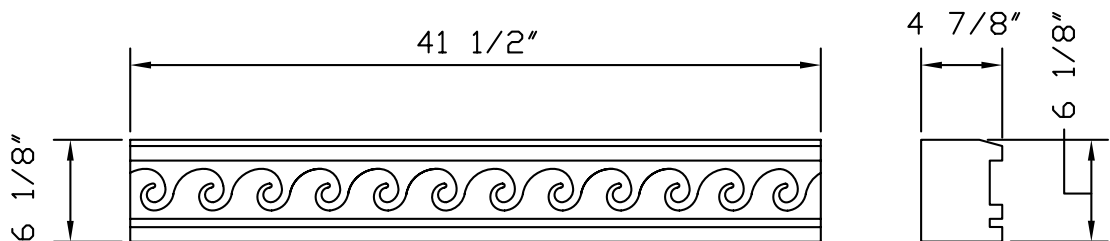


WT-278



WT-121-1634
(LRT, RRT)

WS-714



BN-02-102-A-B

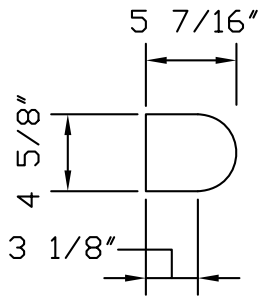
ALSO AVAILABLE IN A 13'-2" RADIUS
BN-02-102R-A-B



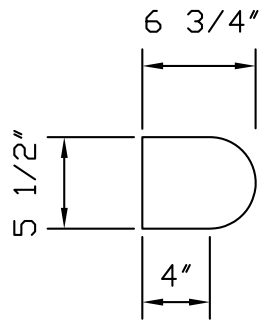
OLDE WORLD
CAST STONE

4280 WAYSIDE COURT LILBURN, GA. 30047. (770)921-9788. FAX 921-9910

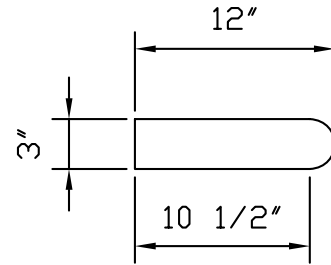
WALL TRIM, BULLNOSE PROFILES



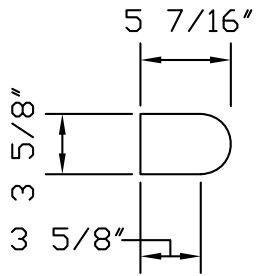
WT 293



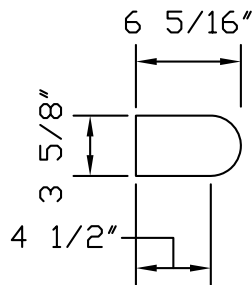
WS-243



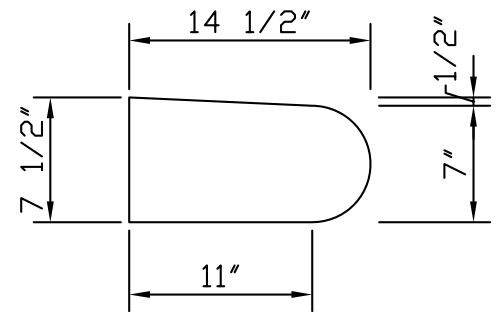
WT-301
(LRT, RRT)



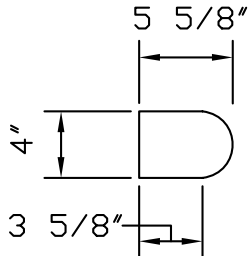
BN-702-IS-RTN
(LRT, RRT)



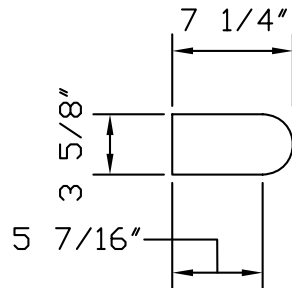
WT-255-L
(LRT, RRT)



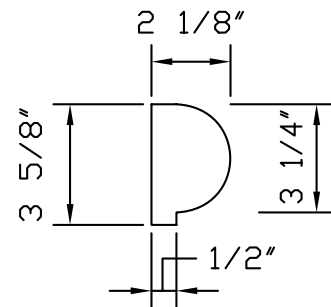
WT-331
(INCR)



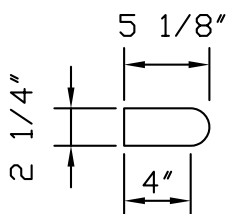
WT-305
(LRT, RRT)



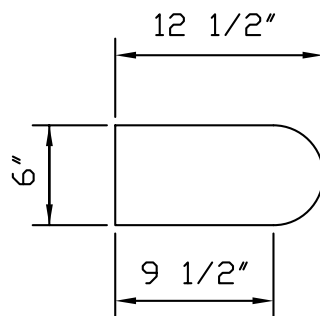
WS-209-41
WS-209-44.5



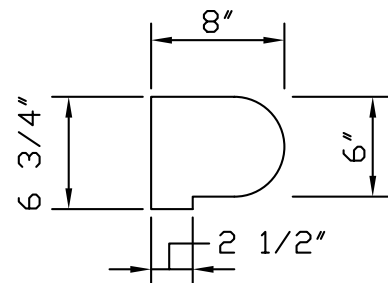
WT-200
(LRT, RRT)



BN-737
(LRT)



BN-749



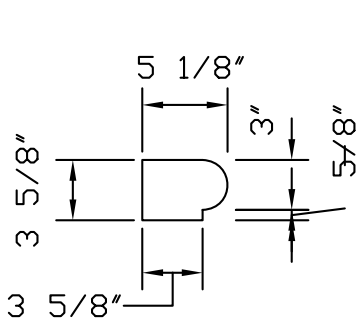
WT-145-086.75



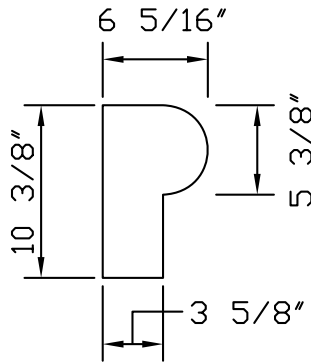
OLDE WORLD
CAST STONE

4280 WAYSIDE COURT LILBURN, GA. 30047. (770)921-9788. FAX 921-9910

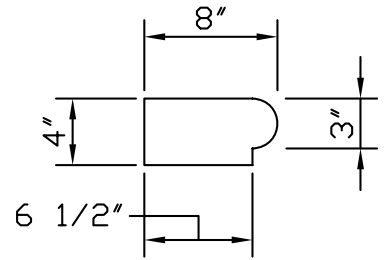
WALL TRIM, BULLNOSE PROFILES



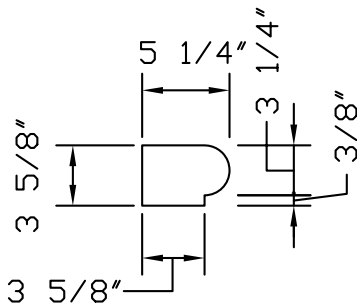
BN-659
(LRT, RRT)



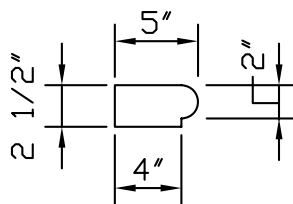
C-552
(LRT, RRT)



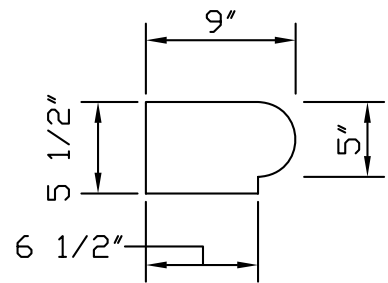
FP-108-0408
(LRT, RRT)



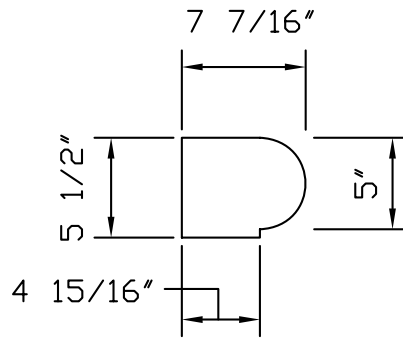
WT-172-44.75
WT-172-48
(LRT, RRT)



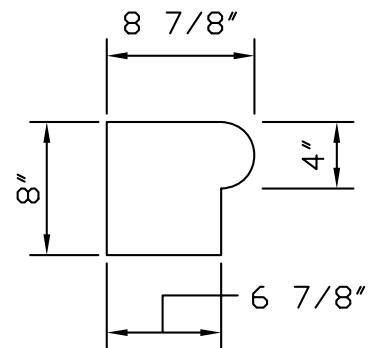
BN-680



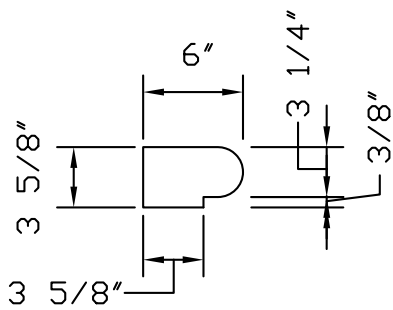
WT-204
(CRNR)



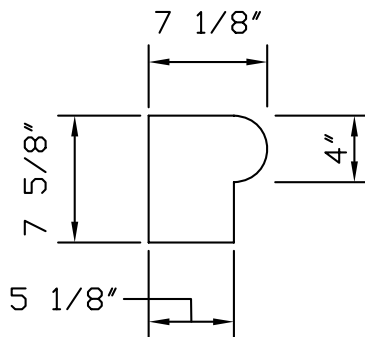
WT-185



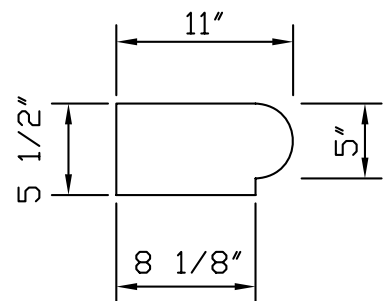
BN-736



WT-156
(LRT, RRT)



BN-734
(LRT, RRT)



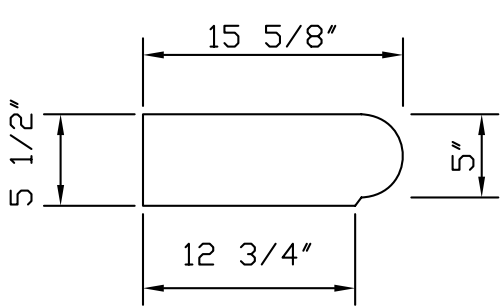
WT-203



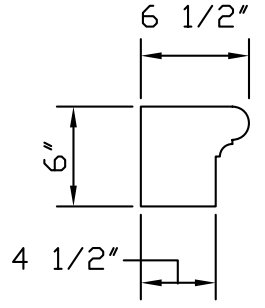
**OLDE WORLD
CAST STONE**

4280 WAYSIDE COURT LILBURN, GA. 30047. (770)921-9788. FAX 921-9910

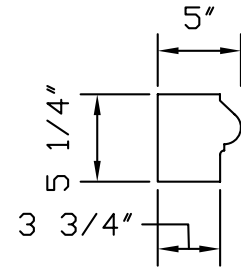
WALL TRIM, BULLNOSE PROFILES



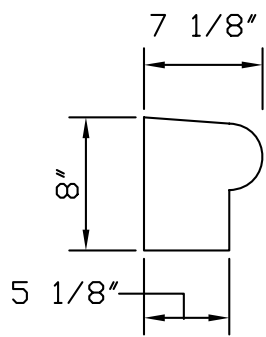
WT-199
(CRNR)



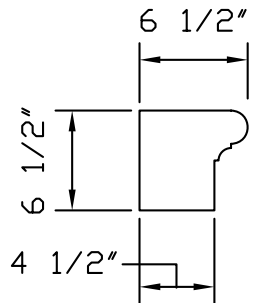
BN-710
(INCR)



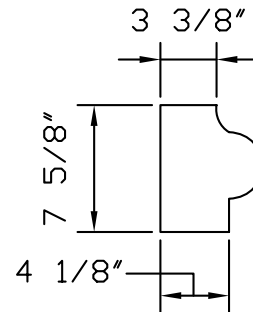
WS-227-RTN



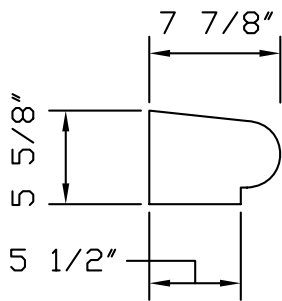
BN-735



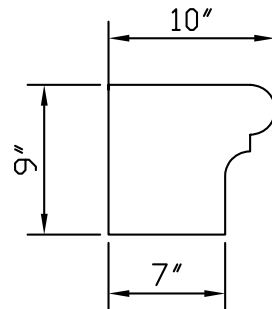
BN-694
(LRT, RRT)



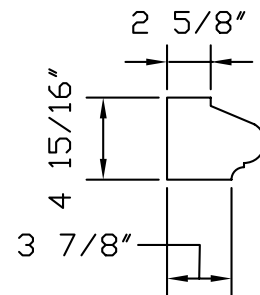
WT-161
(CRNR)



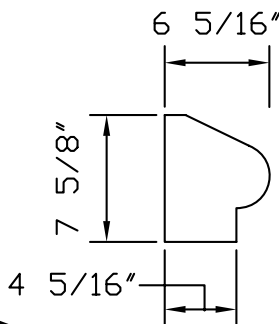
WS-244



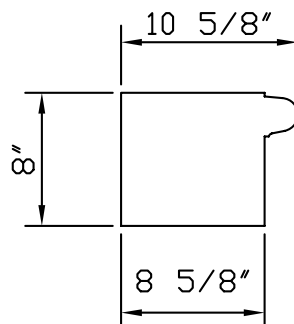
WT-136-0910
(LRT, RRT)



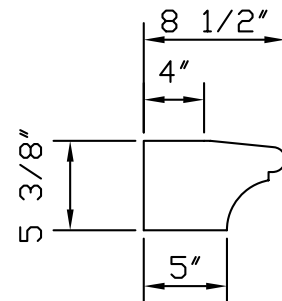
BN-654
(LRT, RRT)



WS-161



WT-124-8.7536E
(LRT, RRT)



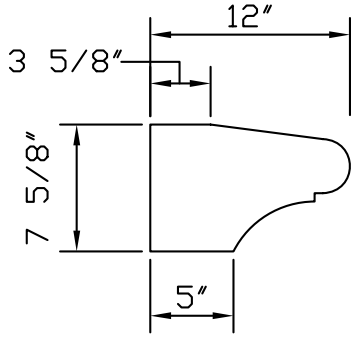
BN-675
(LRT, RRT)



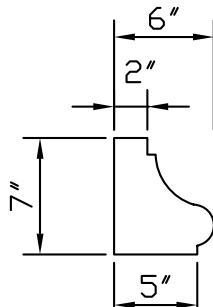
OLDE WORLD
CAST STONE

4280 WAYSIDE COURT LILBURN, GA. 30047. (770)921-9788. FAX 921-9910

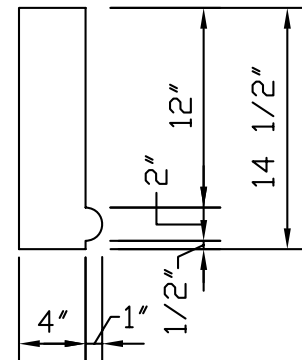
WALL TRIM, BULLNOSE PROFILES



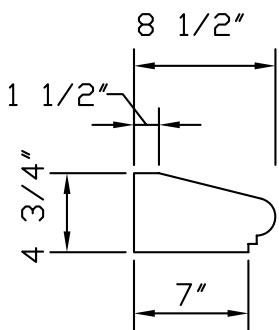
WT-158
(LRT, RRT)



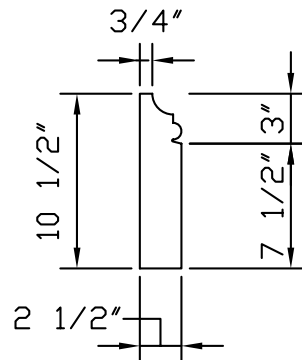
WT-223



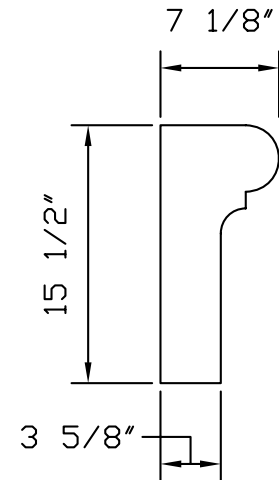
BN-228
(RRT)



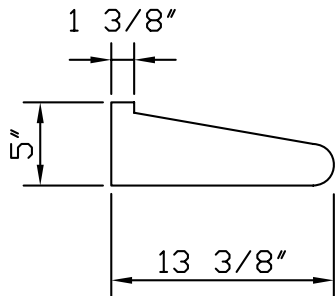
BN-676-B1



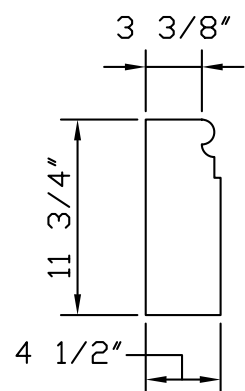
WT-124-0210



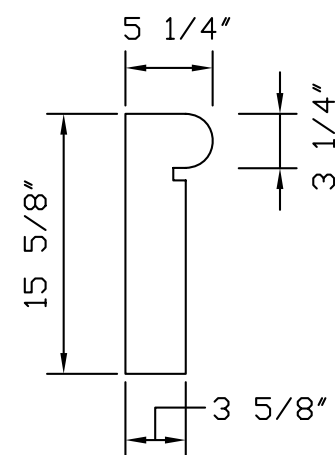
C-540
(LRT, RRT)



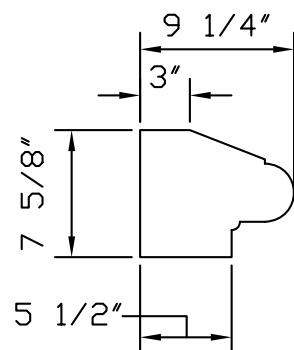
SERIES LWS



S-242



WT-173-40.75
WT-173-54
(LRT, RRT)

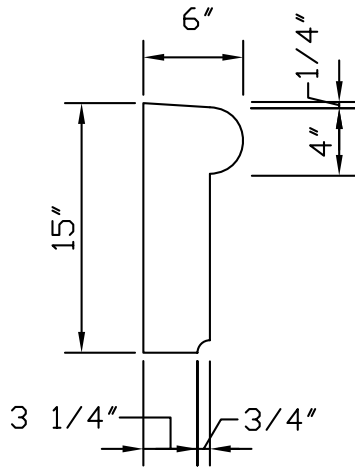


WC-840
(IS, DS, RTN)

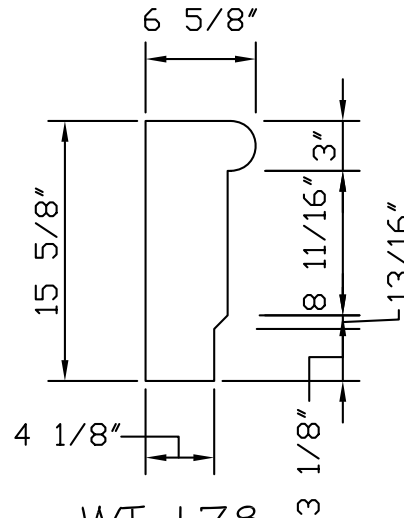


4280 WAYSIDE COURT LILBURN, GA. 30047. (770)921-9788. FAX 921-9910

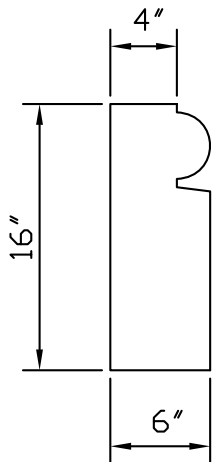
WALL TRIM, BULLNOSE PROFILES



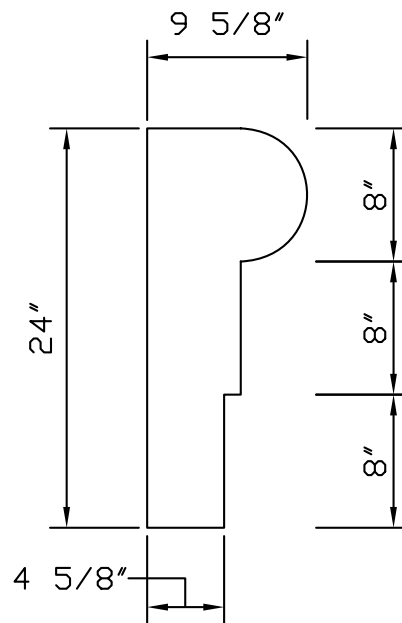
WT-265



WT-178
(LRT, RRT)



S-339

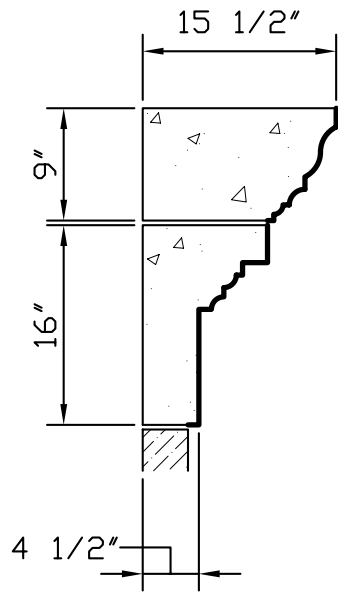
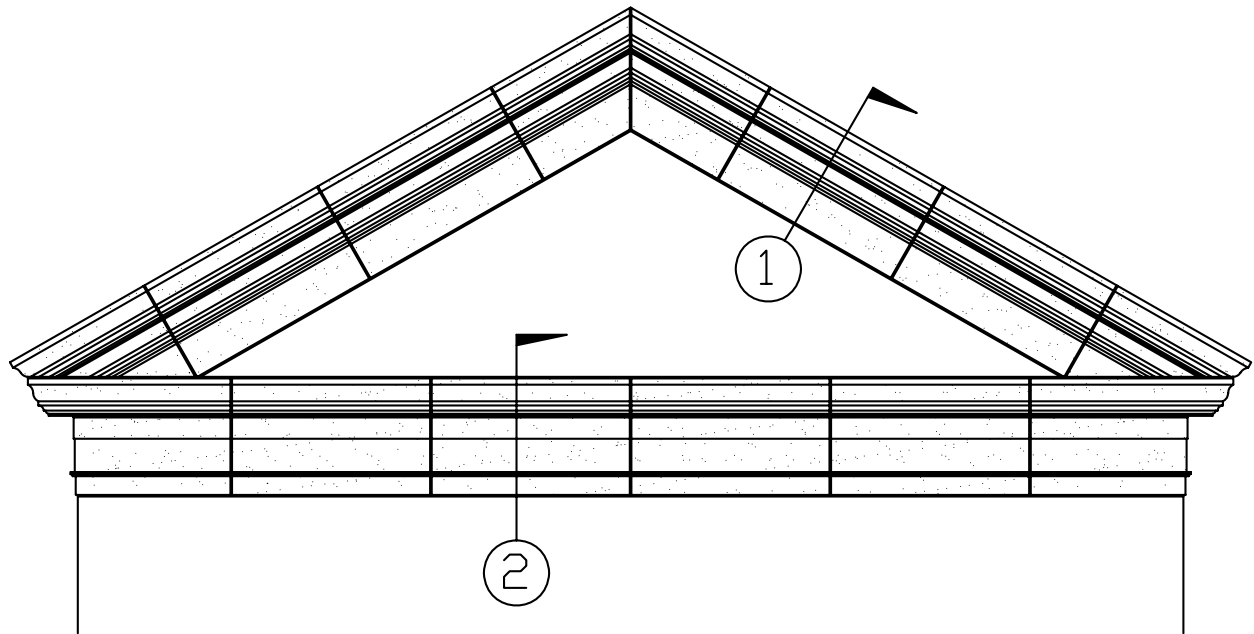


BN-715
(LRT, RRT)

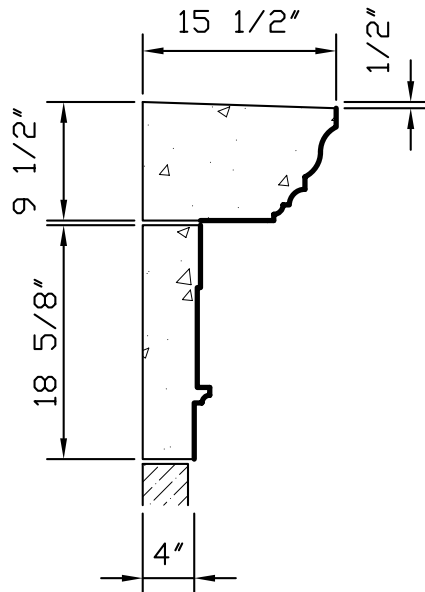


4280 WAYSIDE COURT LILBURN, GA. 30047. (770)921-9788. FAX 921-9910

CORNICE ASSEMBLAGES



① SECTION



② SECTION

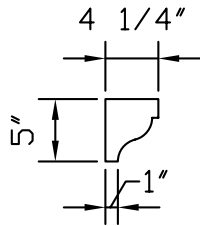
CORNICE COMPONENT PARTS CAN BE MATCHED TO FORM SEVERAL DIFFERENT PROFILES AND HEIGHTS.

PLEASE CONTACT, **OLDE WORLD CAST STONE** FOR DESIGN ASSISTANCE.

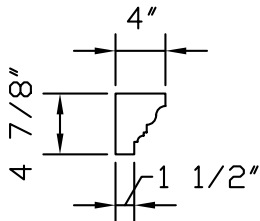


4280 WAYSIDE COURT LILBURN, GA. 30047. (770)921-9788. FAX 921-9910

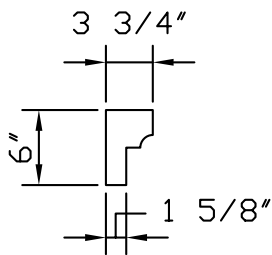
CORNICES



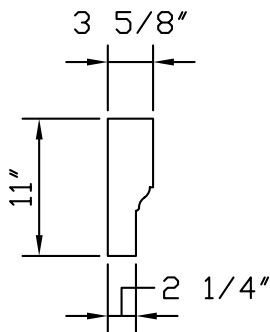
COR-207
(RRT, LRT)
40 1/2"



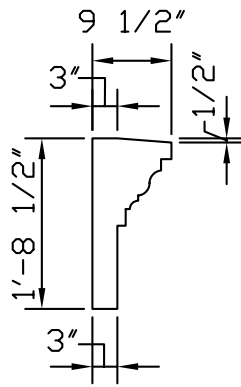
COR-232
(RRT, LRT)
43"



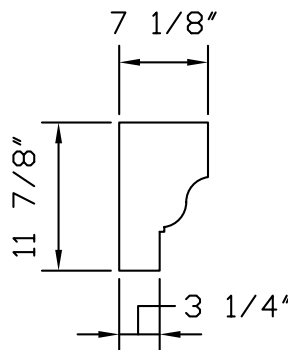
COR-204
(RRT, LRT)
40"



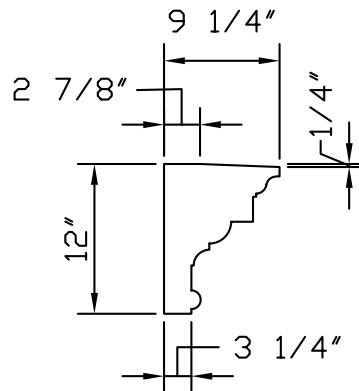
C-529
25 5/8"



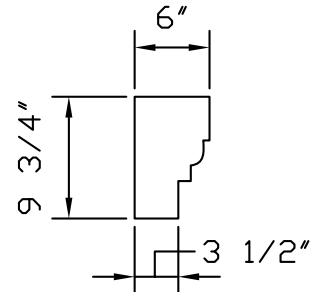
COR-240
(IS, OS RTN)
47"



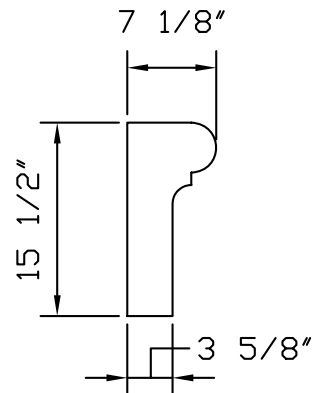
COR-219
(RRT, LRT)
76 1/2"



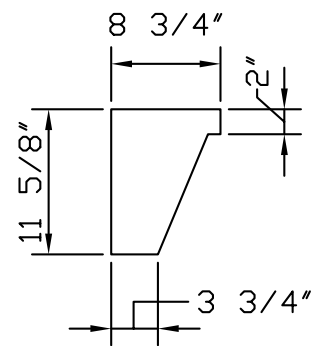
COR-222
(RRT, LRT)
50 3/8"



C-553
(RRT, LRT)
37 1/4"



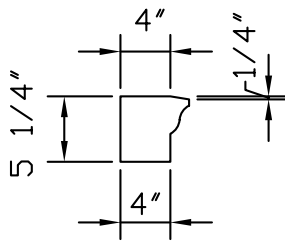
C-540
(RRT, LRT)
28 1/4"



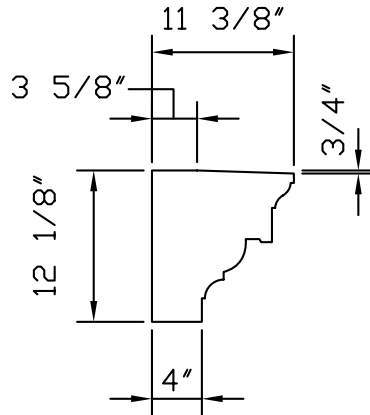
C-515
36", 47 5/8", 48"



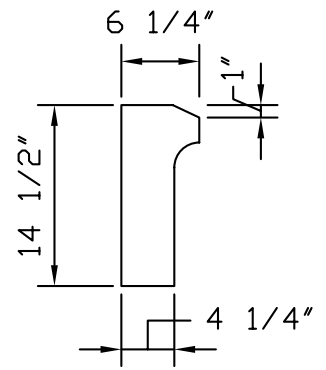
CORNICES



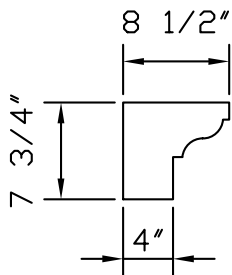
COR-210
(RRT, LRT)
42"



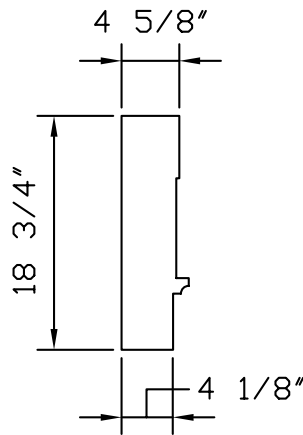
COR-215
(RRT, LRT)
68 1/2"



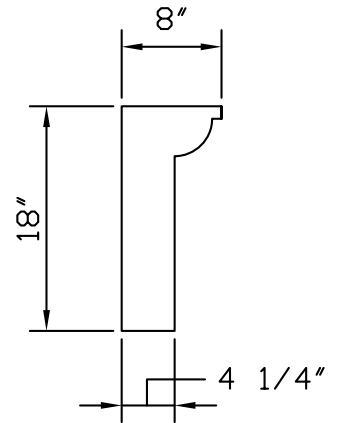
C-515
(RRT, LRT)
52"



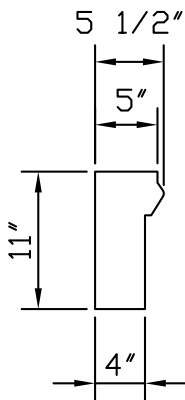
COR-221
(RRT, LRT)
66"



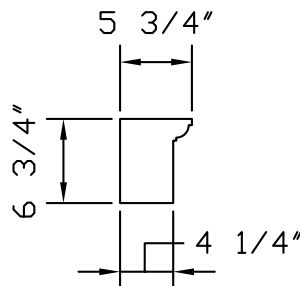
C-546
(RRT, LRT)
46 1/2"



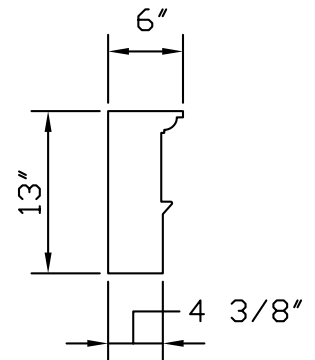
C-517
(RRT, LRT)
52 1/2"



COR-211
(RRT, LRT)
35 5/8"



C-532
(RRT, LRT)
48"

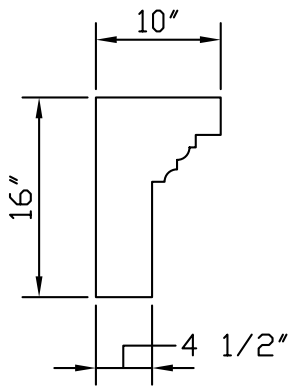


C-533
37"

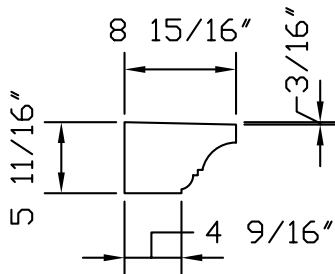


OLDE WORLD
CAST STONE

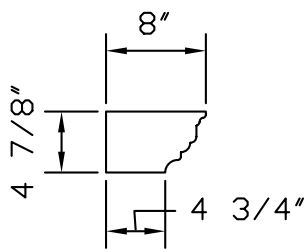
CORNICES



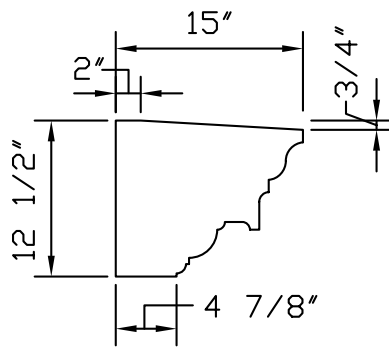
C-548
48"



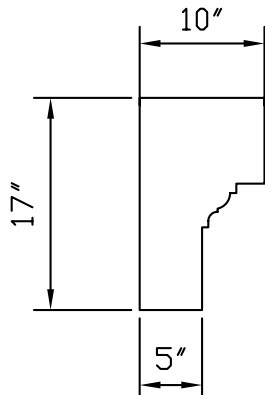
COR-208
(LRT)
31 5/8"



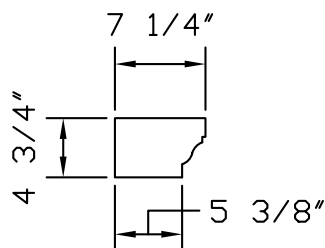
COL-123
60"



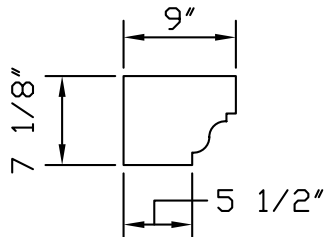
SERIES IC STR
(RRT, LRT)
64 1/2"



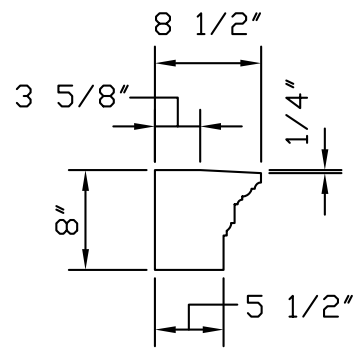
C-514
60"



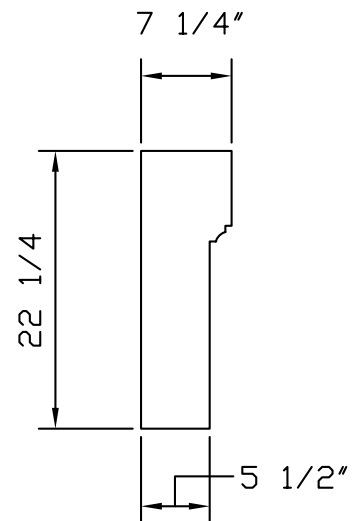
COR-239
(RRT, LRT)
36 1/2"



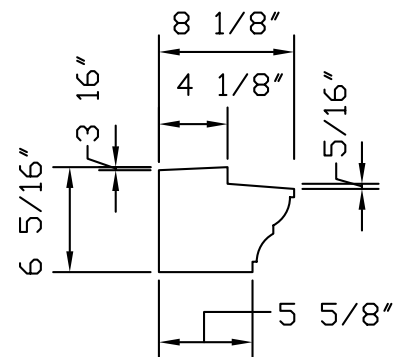
C-522
(RRT, LRT)
41"



COR-238
(RRT, LRT)
28 3/8"



C-526
(RRT, LRT)
35 7/16"

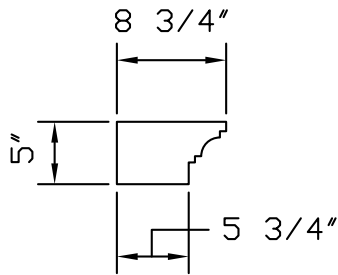


COR-224
(RRT, LRT)
37"

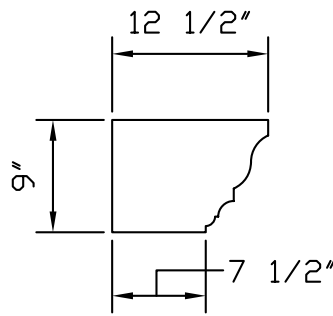


OLDE WORLD
CAST STONE

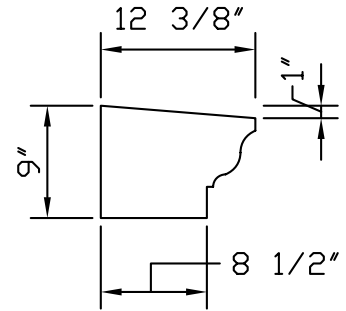
CORNICES



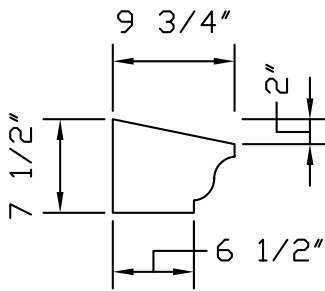
C-531
52"



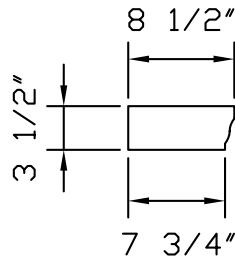
C-543
(RRT, LRT)
55"



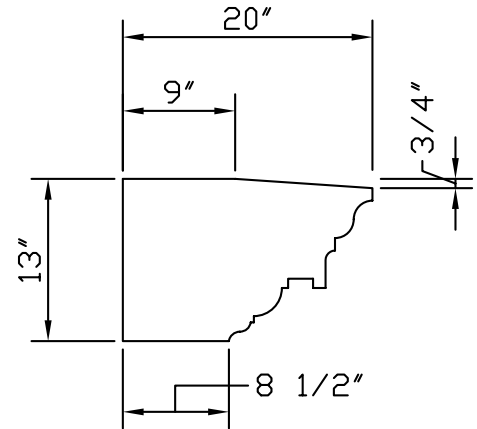
C-535
(RRT, LRT)
47 1/4"



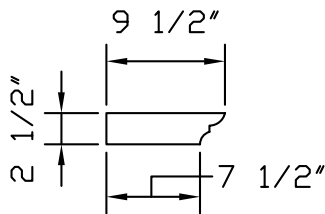
COR-212
(RRT, LRT)
48"



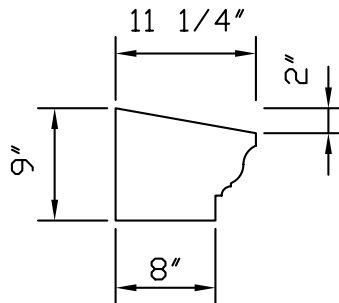
C-513
(RRT, LRT)
43"



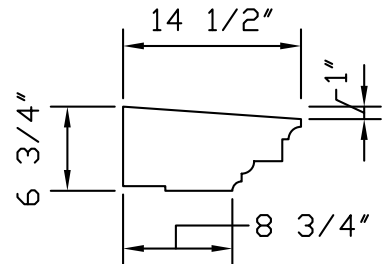
SERIES PIC
(LRT)
8'-5 1/2"



C-536
(RRT, LRT)
57"



COR-101
(RRT, LRT)
32"

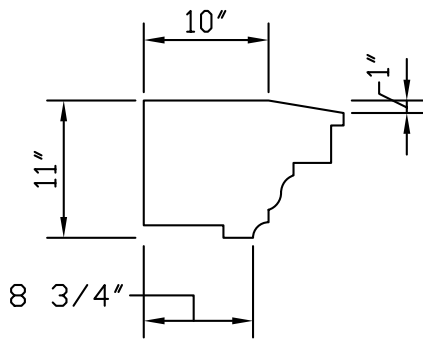


COR-02-200
(RRT, LRT)
43"

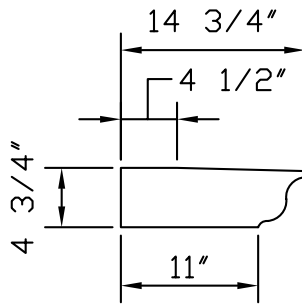


OLDE WORLD
CAST STONE

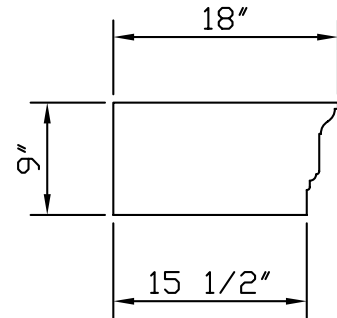
CORNICES



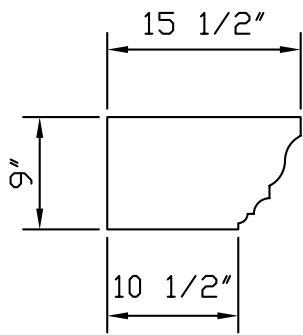
C-521-C
(RRT, LRT)
53 1/2"



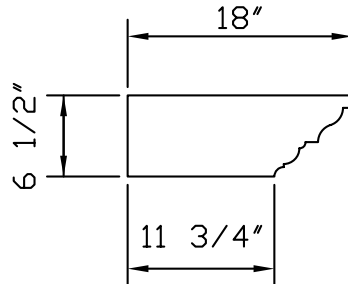
C-554
(RRT, LRT)
39 1/2"



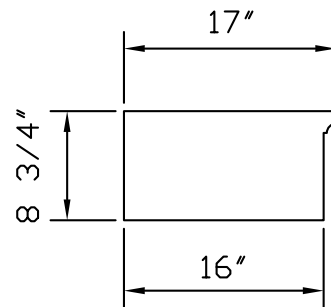
C-520
(RRT, LRT)
43"



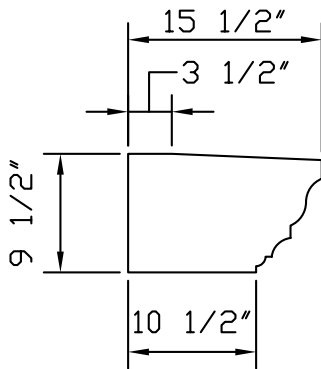
C-547
(RRT, LRT)
37 5/8"



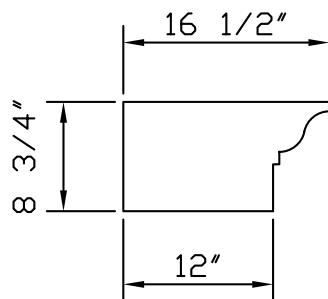
C-502
48"



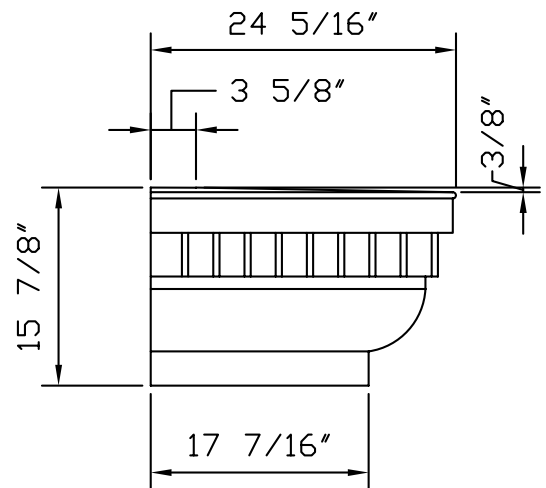
COR-503
(RRT, LRT)
35 3/4"



C-550
(RRT, LRT)
36"



COR-02-201
(RRT, LRT)
39"

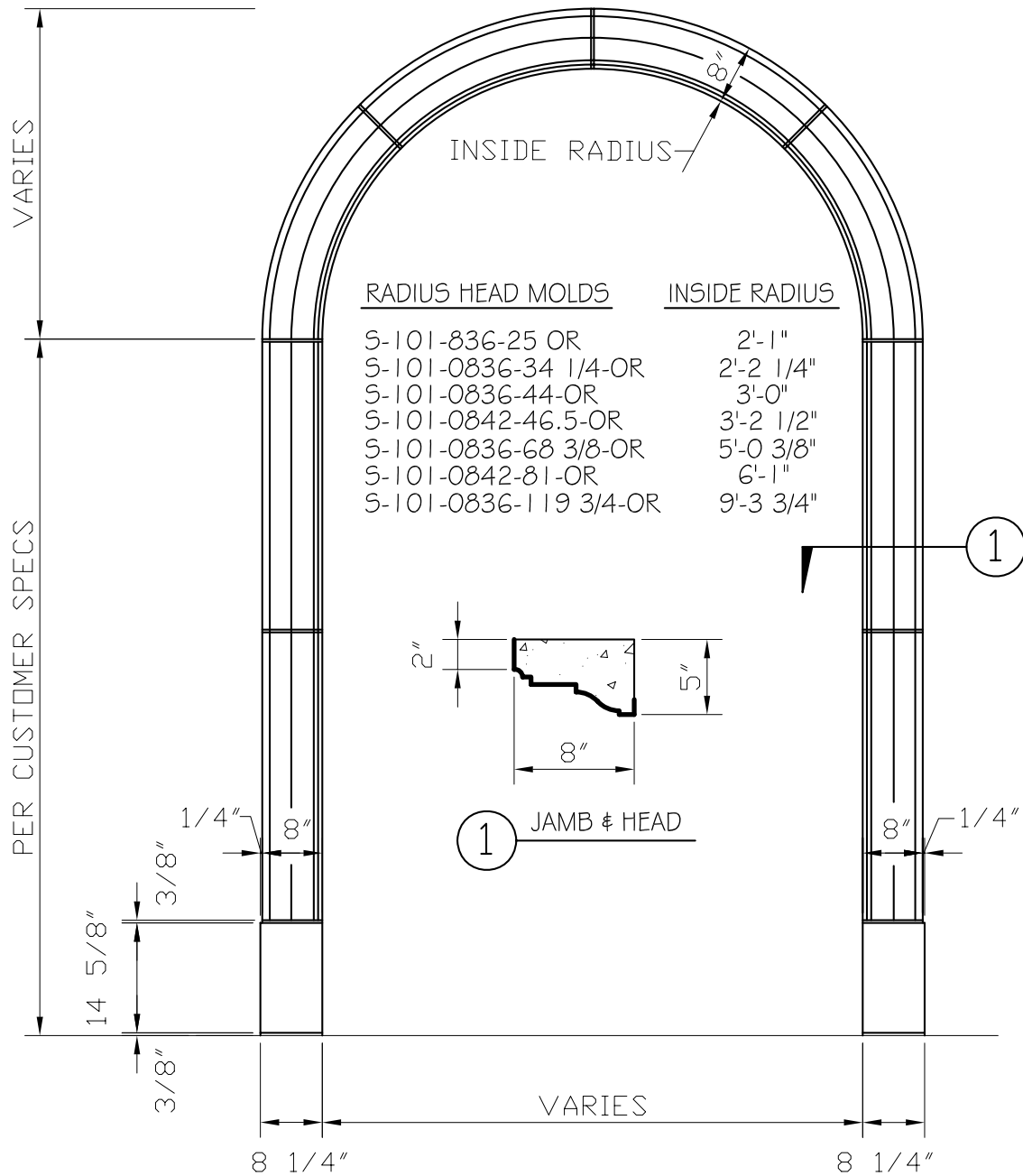


COR-202
(RRT, LRT)
82"



OLDE WORLD
CAST STONE

DOOR SURROUND



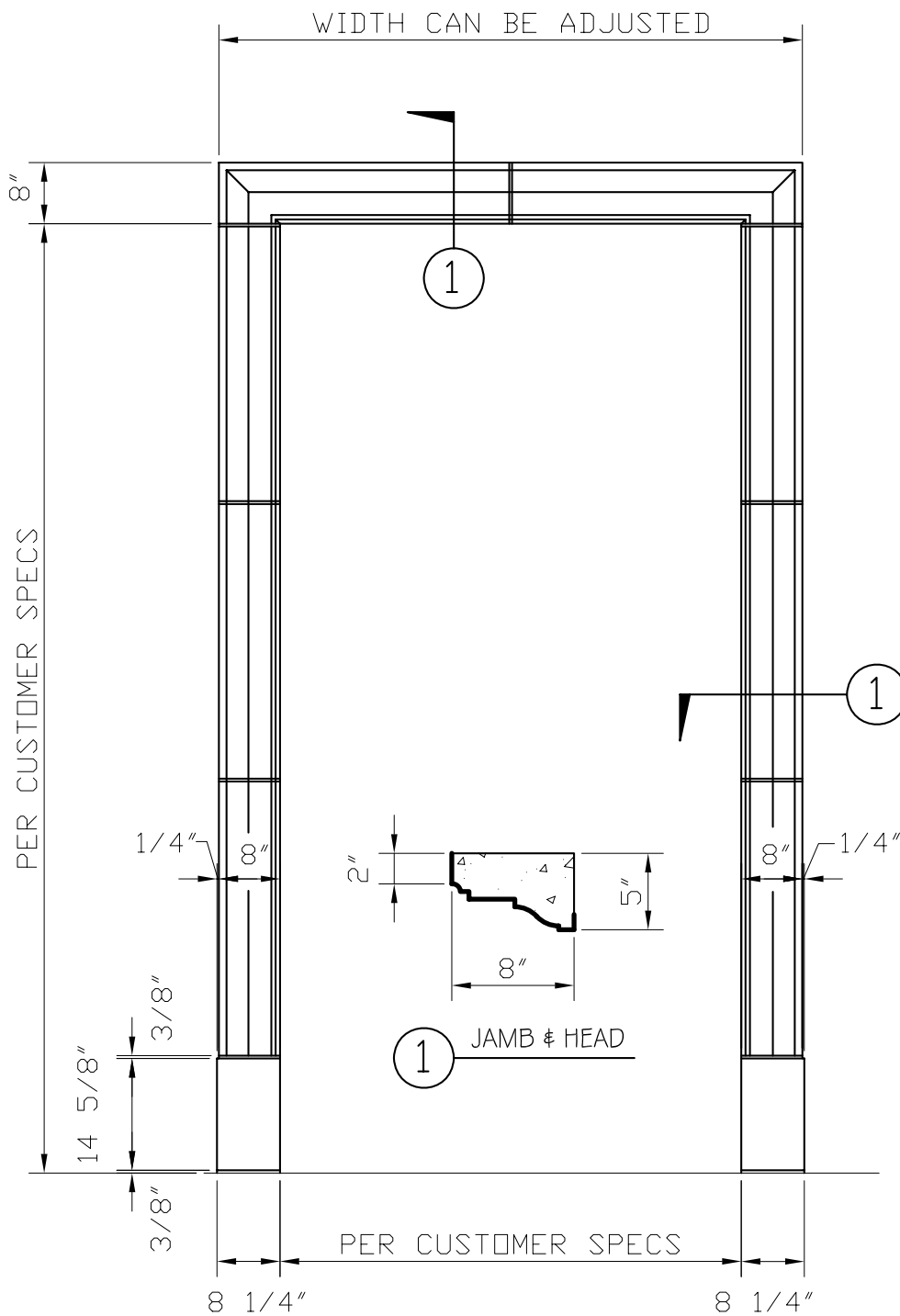
S-101-08-R



ADJUSTMENTS IN JAMB PIECES CAN BE
MADE TO FIT VARIOUS DOOR HEIGHTS.

4280 WAYSIDE COURT LILBURN, GA. 30047. (770)921-9788. FAX 921-9910

DOOR SURROUND



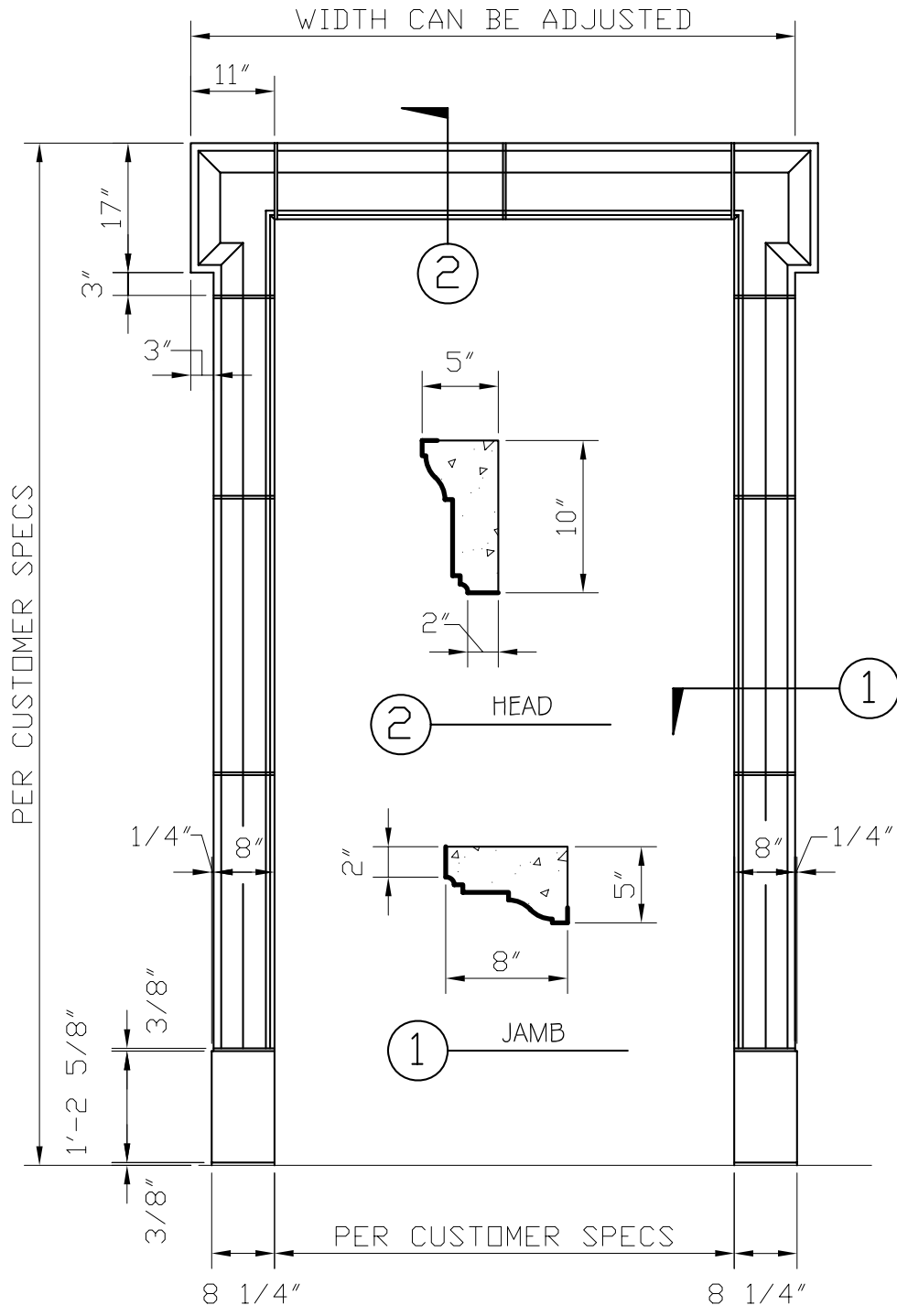
5-101-08



ADJUSTMENTS IN JAMB PIECES CAN BE
MADE TO FIT VARIOUS DOOR HEIGHTS.

4280 WAYSIDE COURT LILBURN, GA. 30047. (770)921-9788. FAX 921-9910

DOOR SURROUND



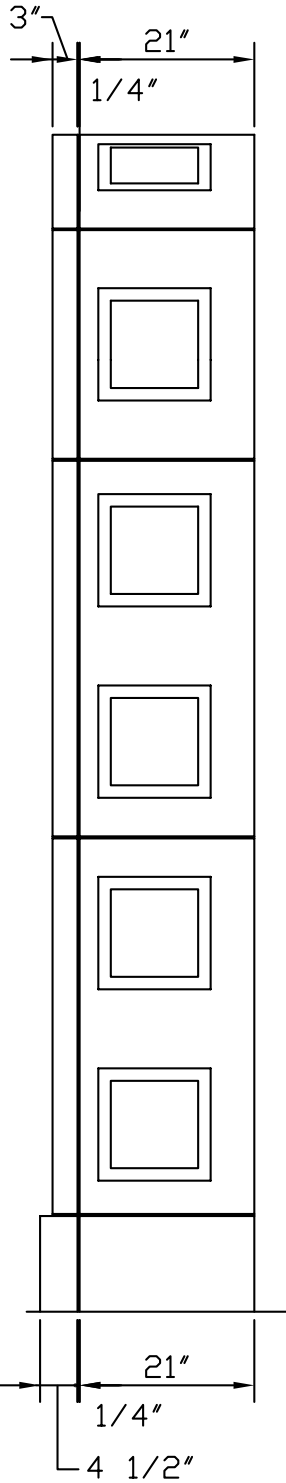
S-101-08-10



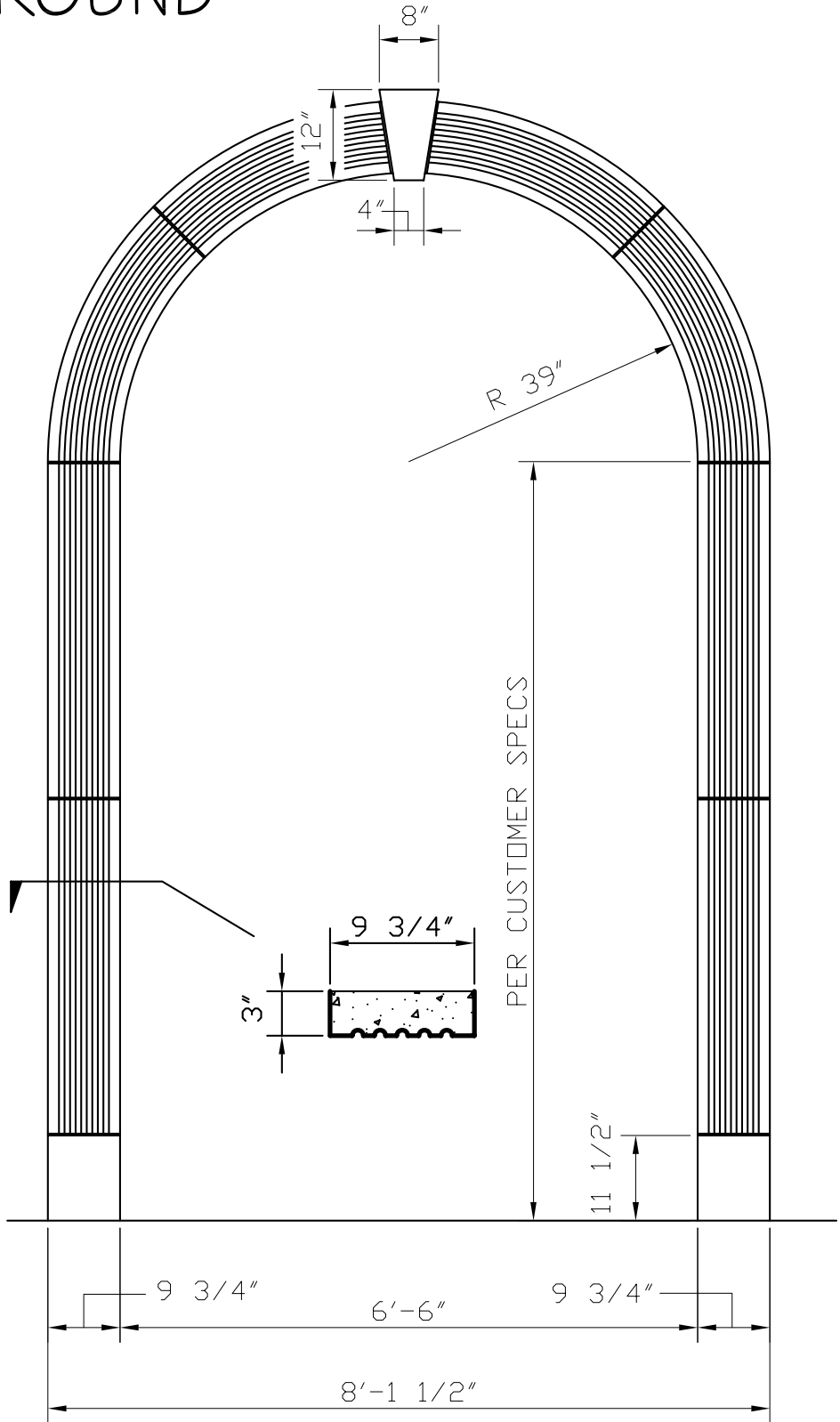
ADJUSTMENTS IN JAMB PIECES CAN BE
MADE TO FIT VARIOUS DOOR HEIGHTS.

4280 WAYSIDE COURT LILBURN, GA. 30047. (770)921-9788. FAX 921-9910

DOOR SURROUND



DOOR RETURN



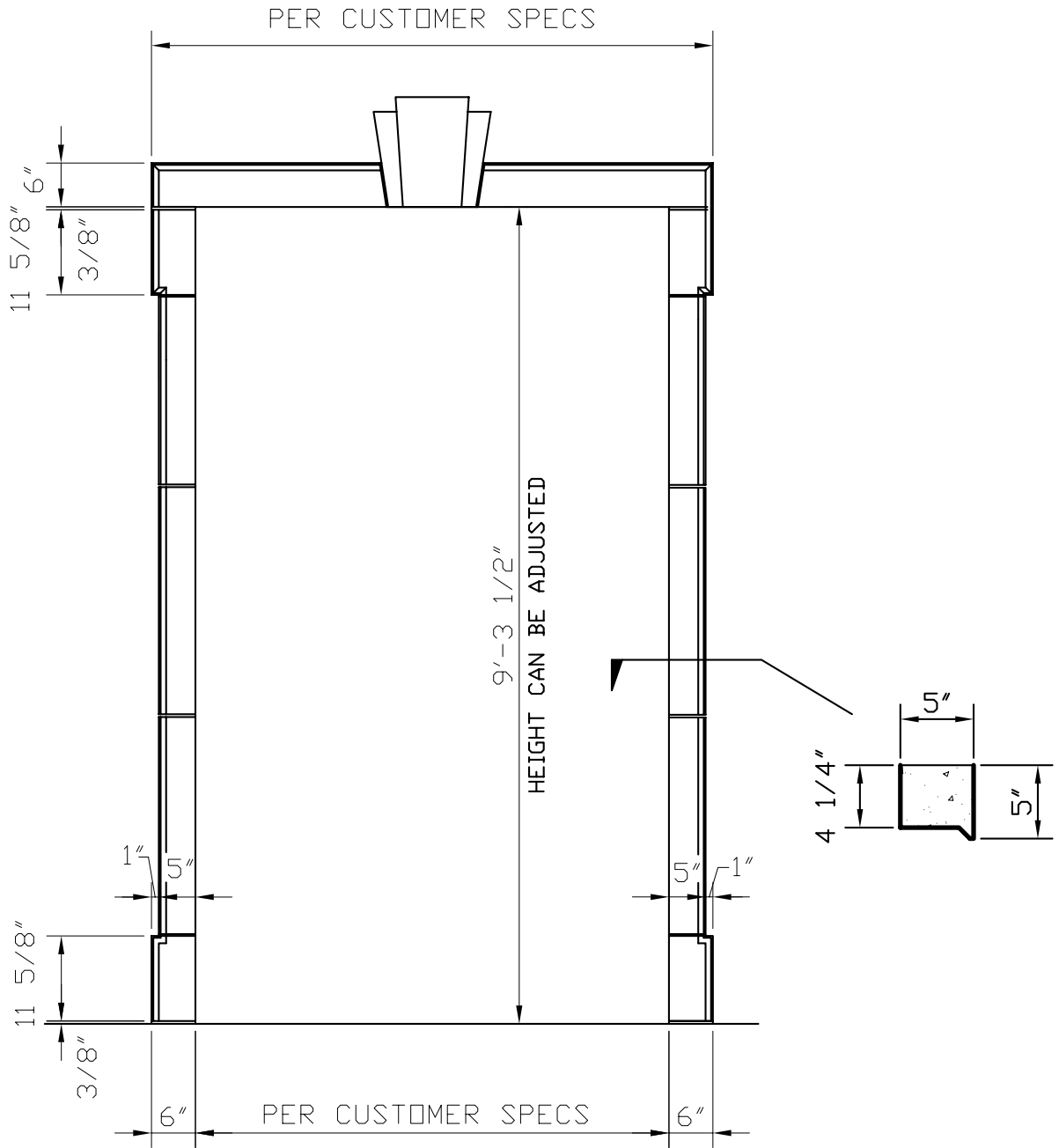
S-222



ADJUSTMENTS IN JAMB PIECES CAN BE
MADE TO FIT VARIOUS DOOR HEIGHTS.

4280 WAYSIDE COURT LILBURN, GA. 30047. (770)921-9788. FAX 921-9910

DOOR SURROUND



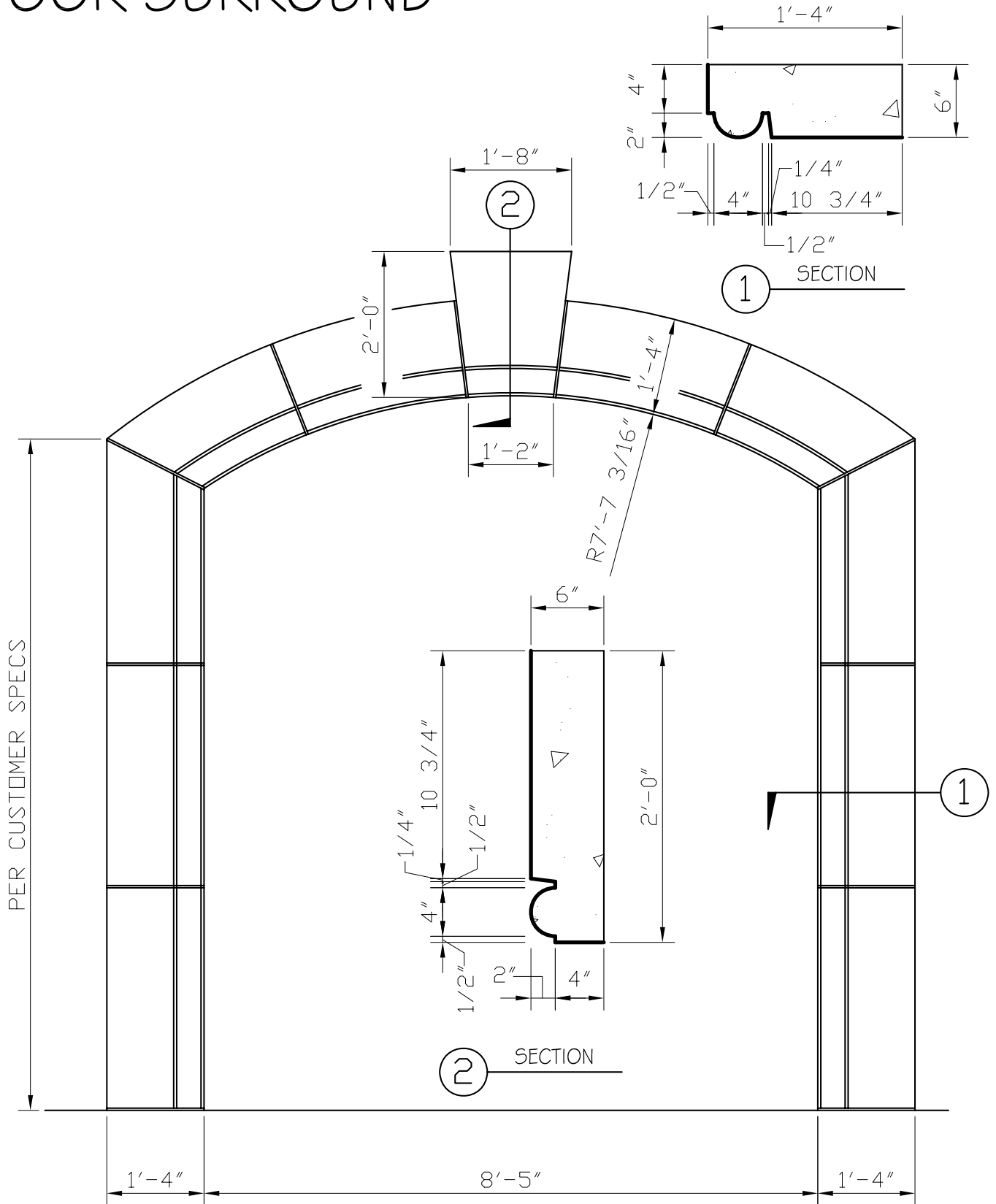
S-251



ADJUSTMENTS IN JAMB PIECES CAN BE
MADE TO FIT VARIOUS DOOR HEIGHTS.

4280 WAYSIDE COURT LILBURN, GA. 30047. (770)921-9788. FAX 921-9910

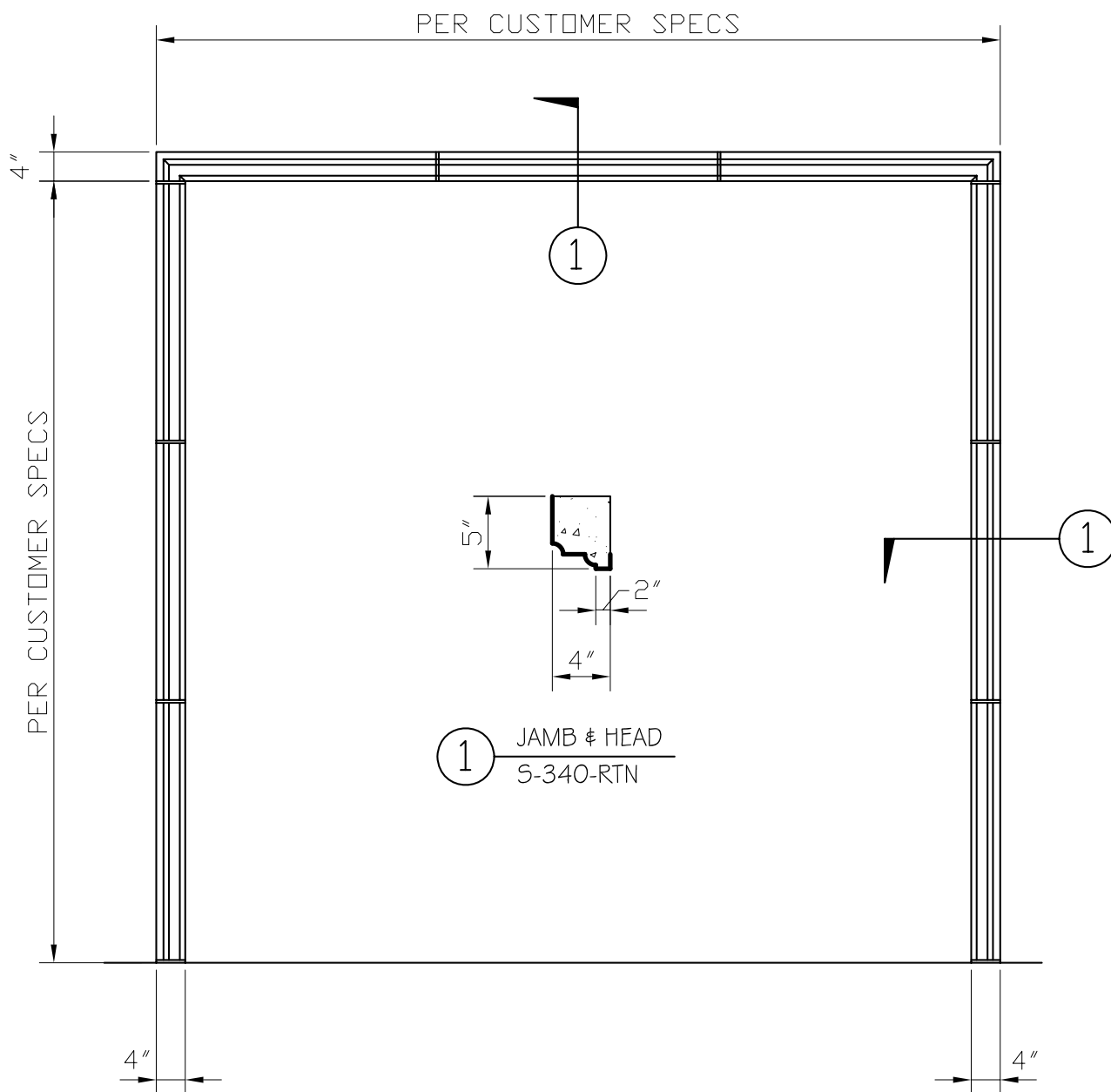
DOOR SURROUND



5-339

4280 WAYSIDE COURT LILBURN, GA. 30047. (770)921-9788. FAX 921-9910

DOOR SURROUND



S-340

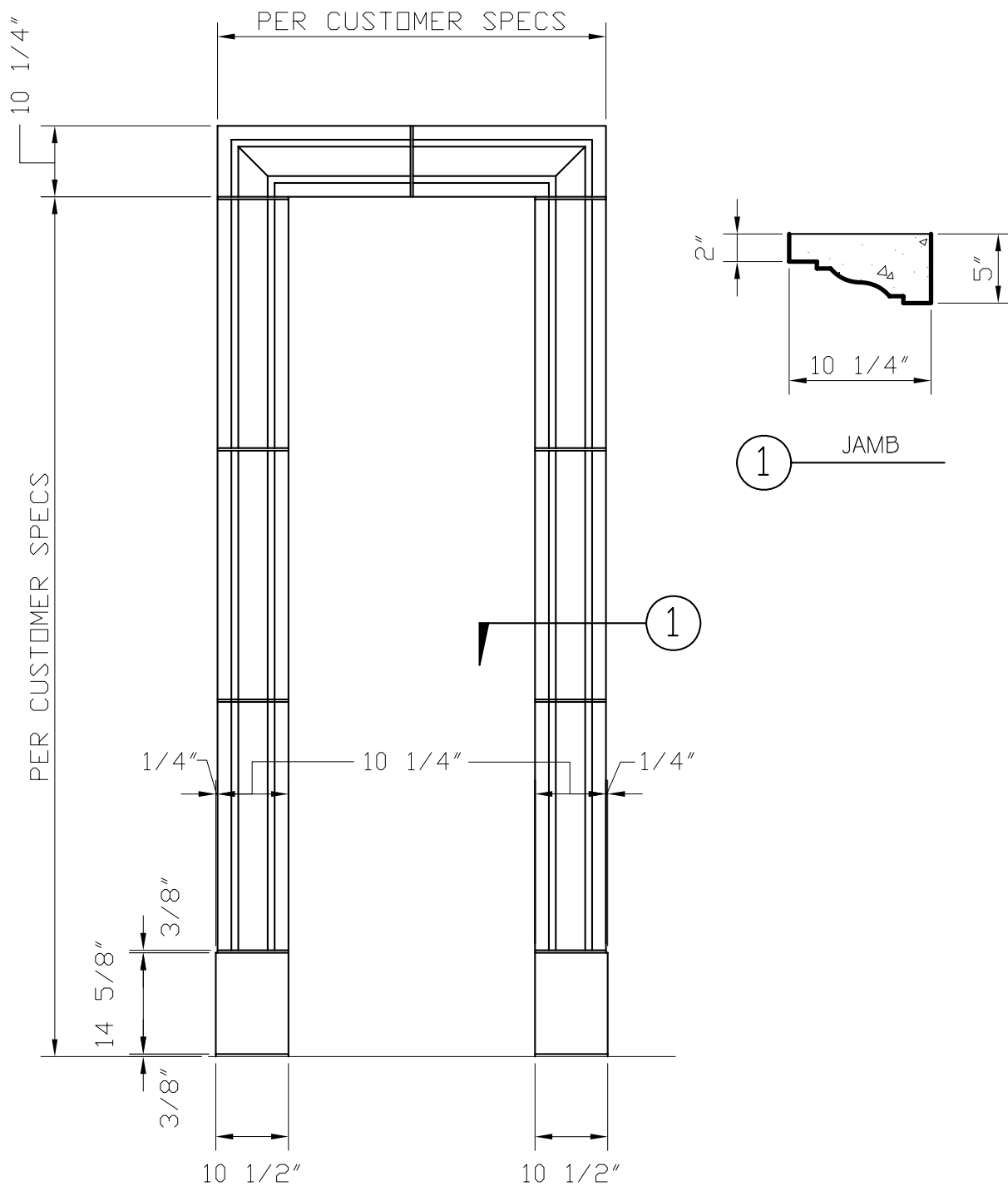


OLDE WORLD
CAST STONE

ADJUSTMENTS IN JAMB PIECES CAN BE
MADE TO FIT VARIOUS DOOR HEIGHTS.

4280 WAYSIDE COURT LILBURN, GA. 30047. (770)921-9788. FAX 921-9910

DOOR SURROUND



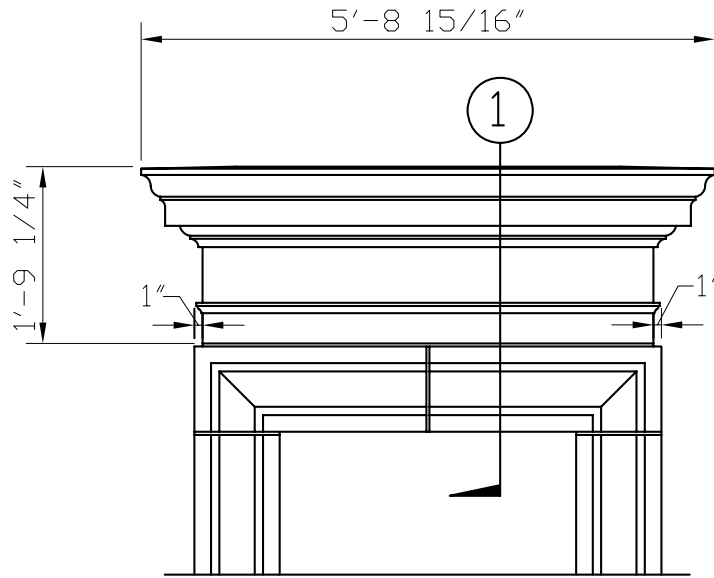
S-344



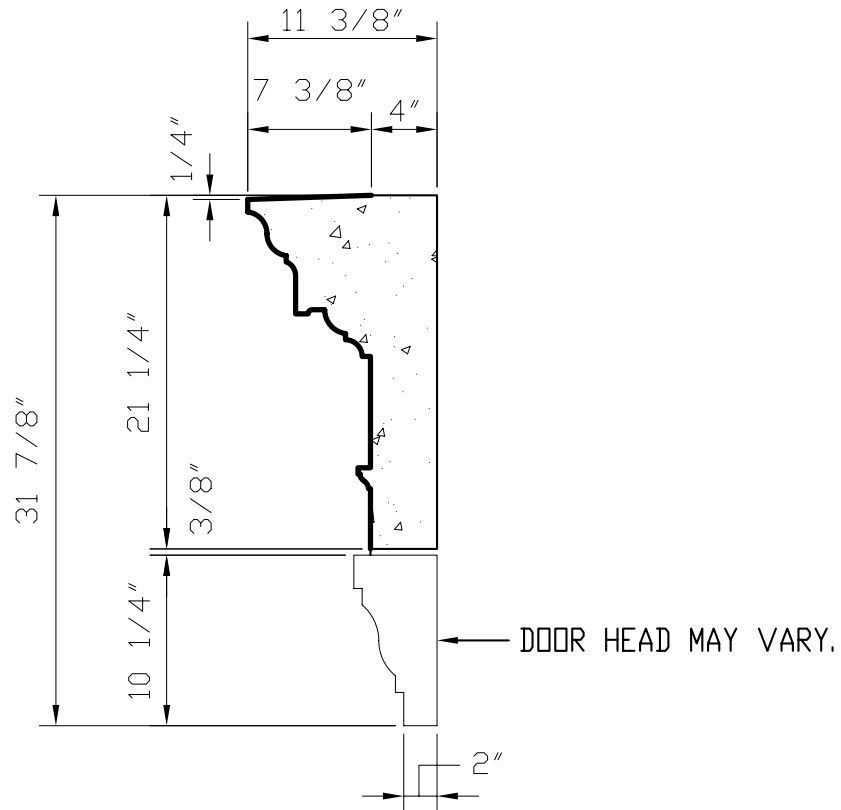
ADJUSTMENTS IN JAMB PIECES CAN BE
MADE TO FIT VARIOUS DOOR HEIGHTS.

4280 WAYSIDE COURT LILBURN, GA. 30047. (770)921-9788. FAX 921-9910

DOOR PEDIMENT



S-346



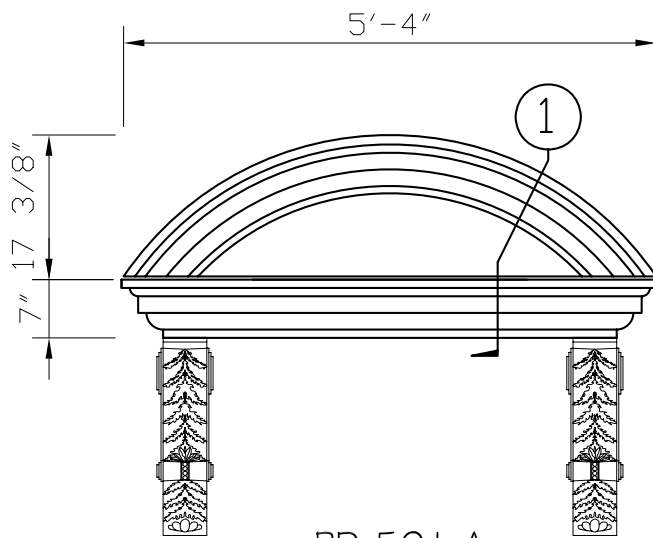
① PEDIMENT
S-346-UI#U2



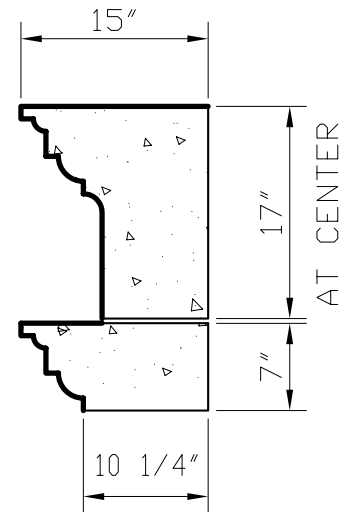
OLDE WORLD
CAST STONE

4280 WAYSIDE COURT LILBURN, GA. 30047. (770)921-9788. FAX 921-9910

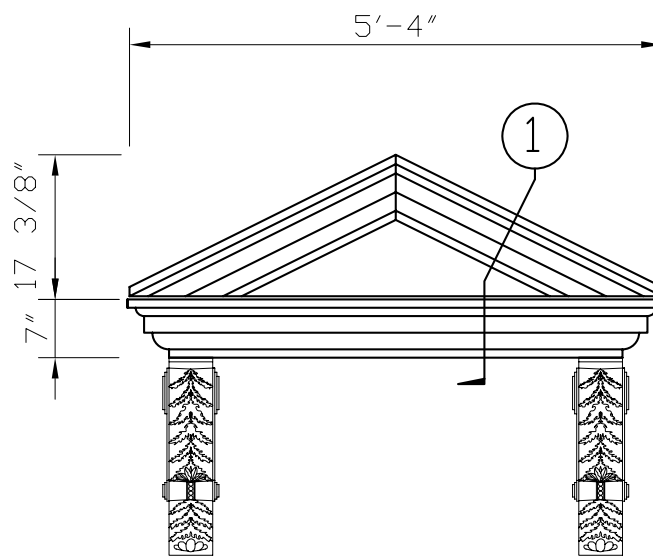
DOOR PEDIMENTS



PD-501 A



1 SECTION

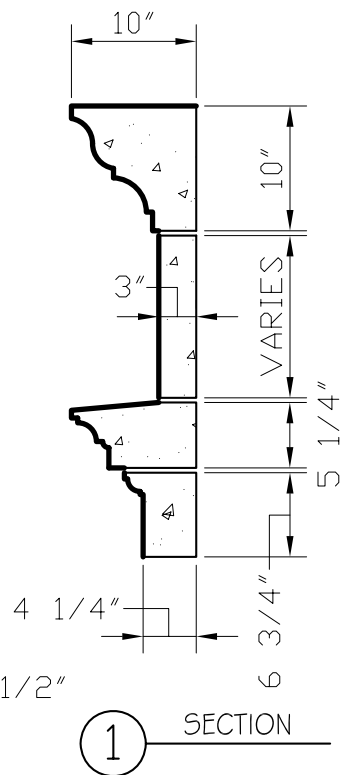
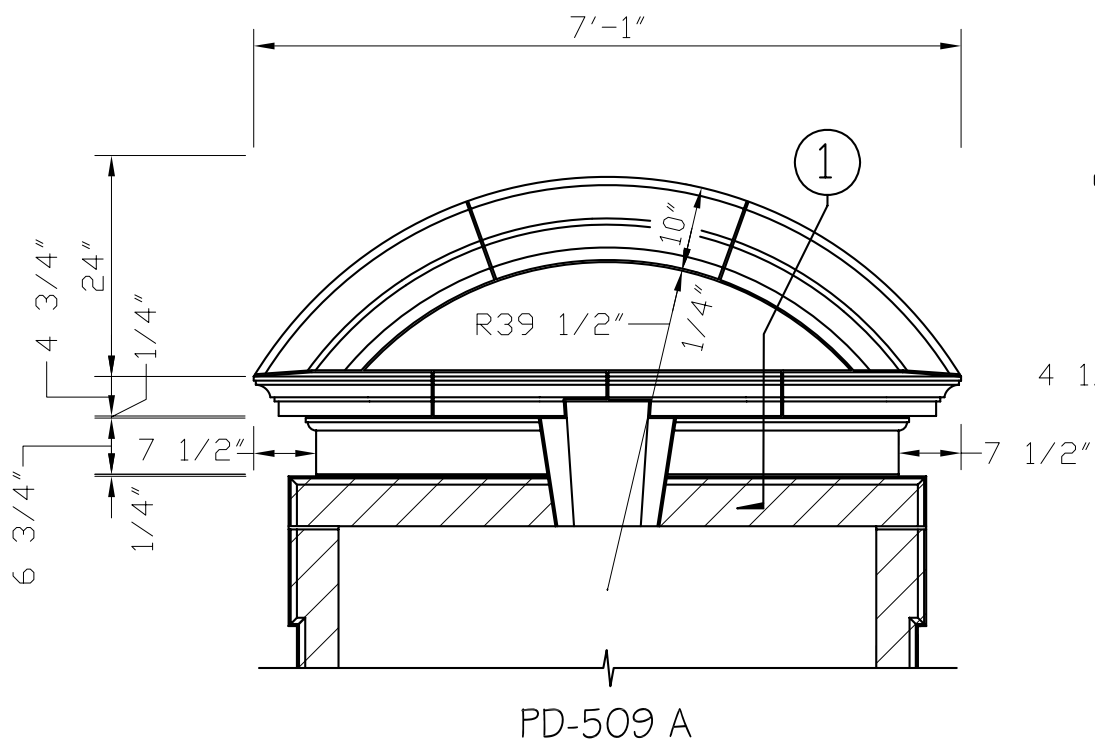
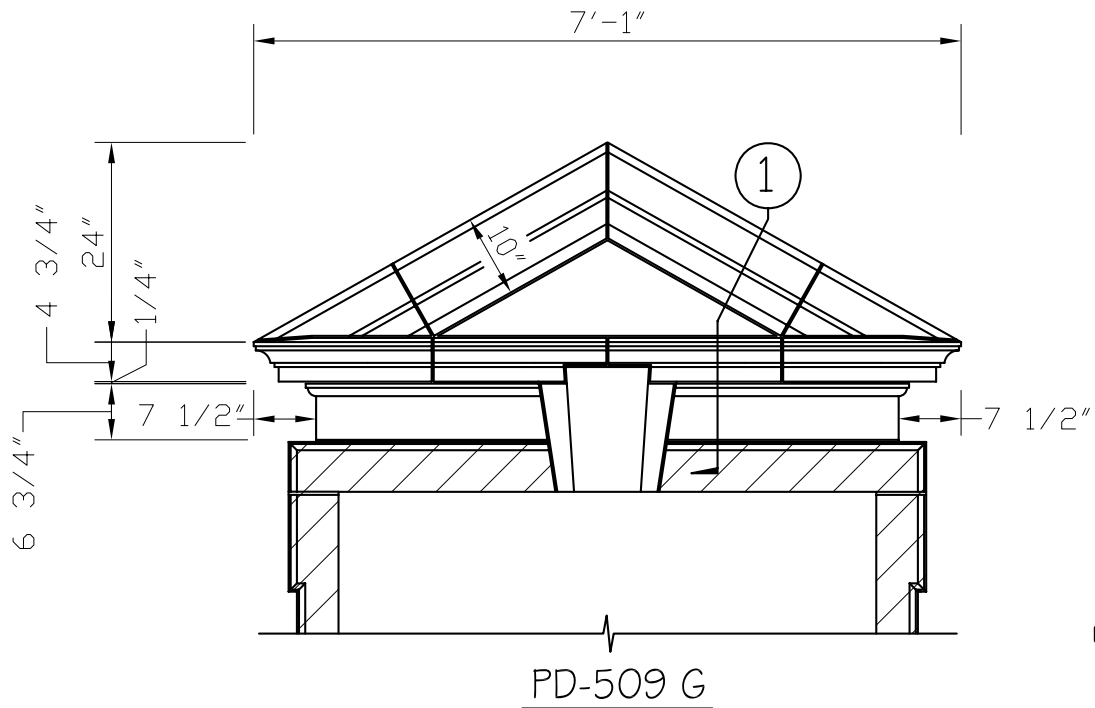


PD-501 B



OLDE WORLD
CAST STONE

DOOR PEDIMENTS

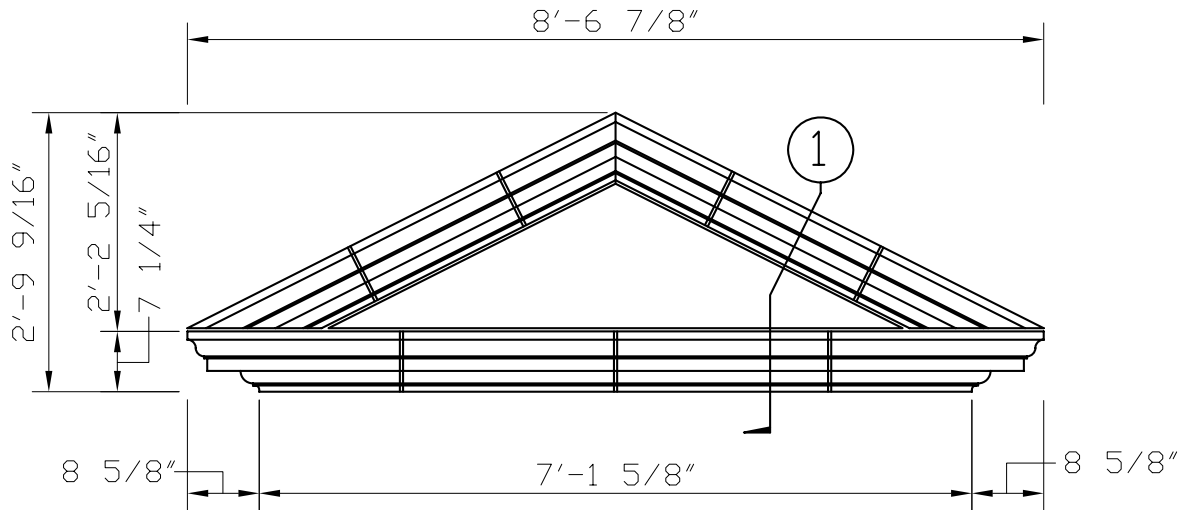


PEDIMENTS CAN ALSO BE MATCHED UP WITH VARIOUS COLUMNS AND PILASTERS. SEE SECTIONS 17 AND 18.

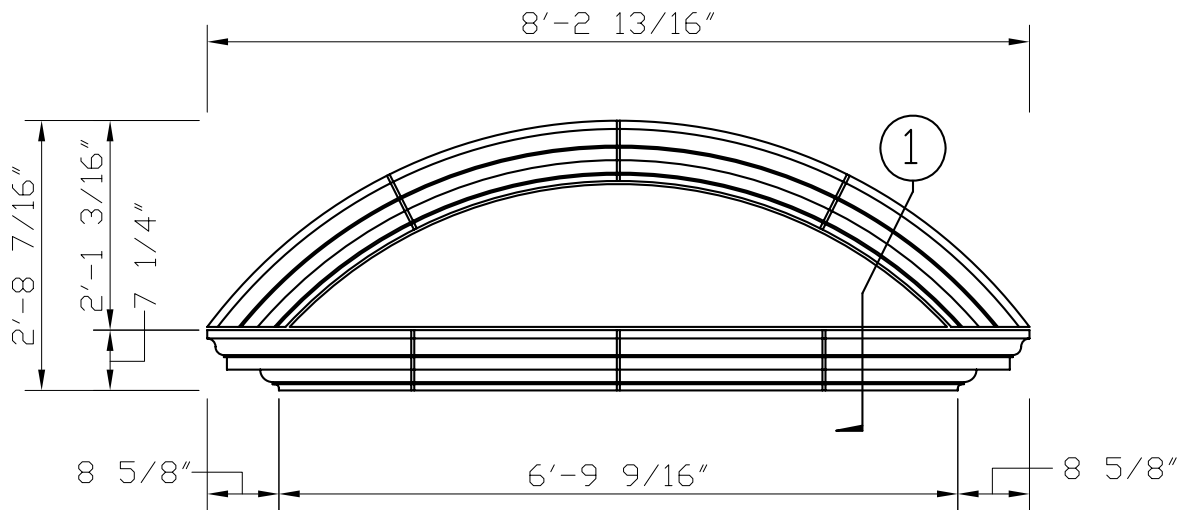


4280 WAYSIDE COURT LILBURN, GA. 30047. (770)921-9788. FAX 921-9910

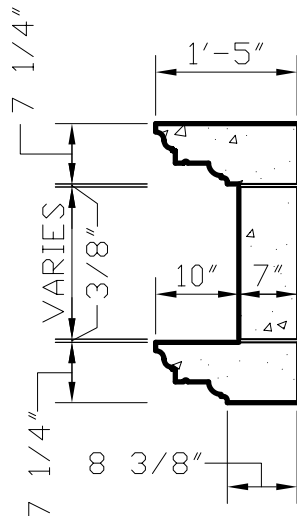
DOOR PEDIMENTS



PED-101-A



PED-101-B



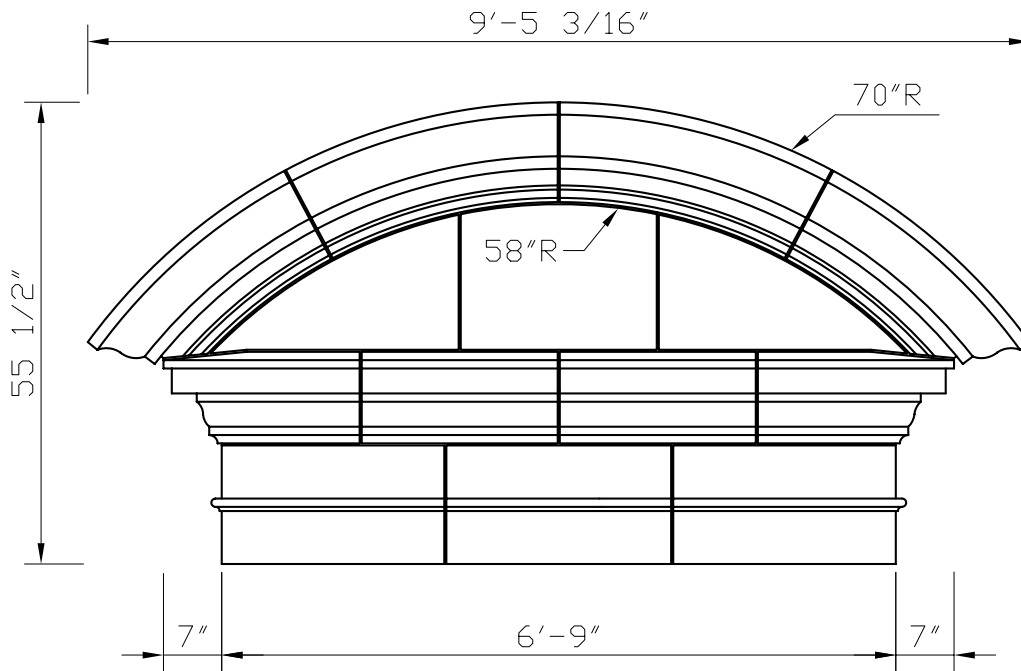
① SECTION

PEDIMENTS CAN ALSO BE MATCHED UP WITH VARIOUS COLUMNS AND PILASTERS. SEE SECTIONS 17 AND 18.

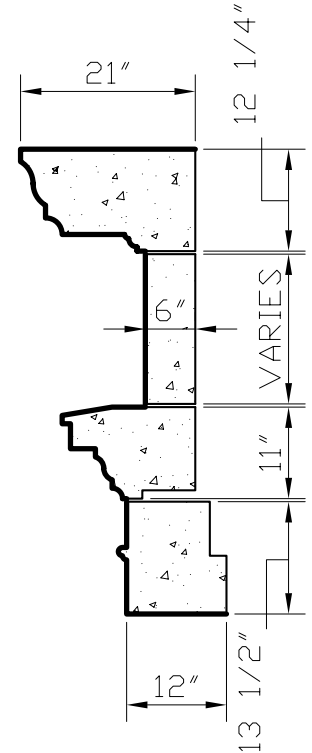


**OLDE WORLD
CAST STONE**

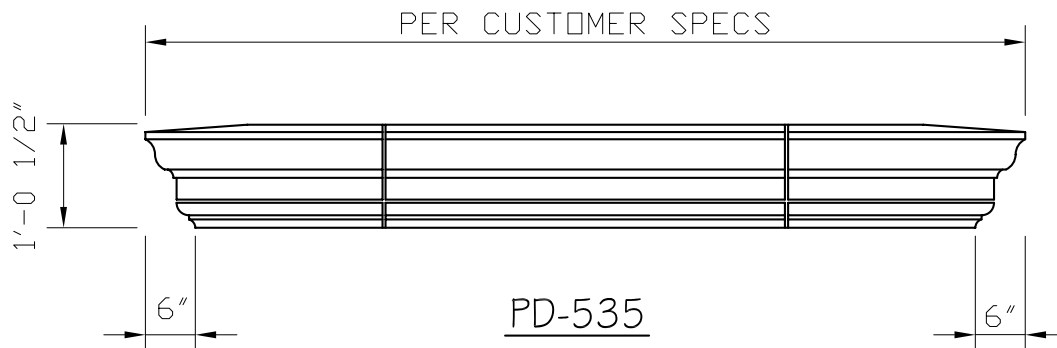
DOOR PEDIMENTS



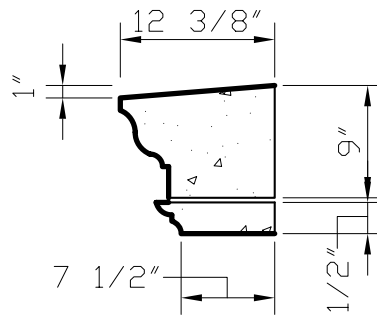
PD-521 B



SECTION



PD-535



SECTION

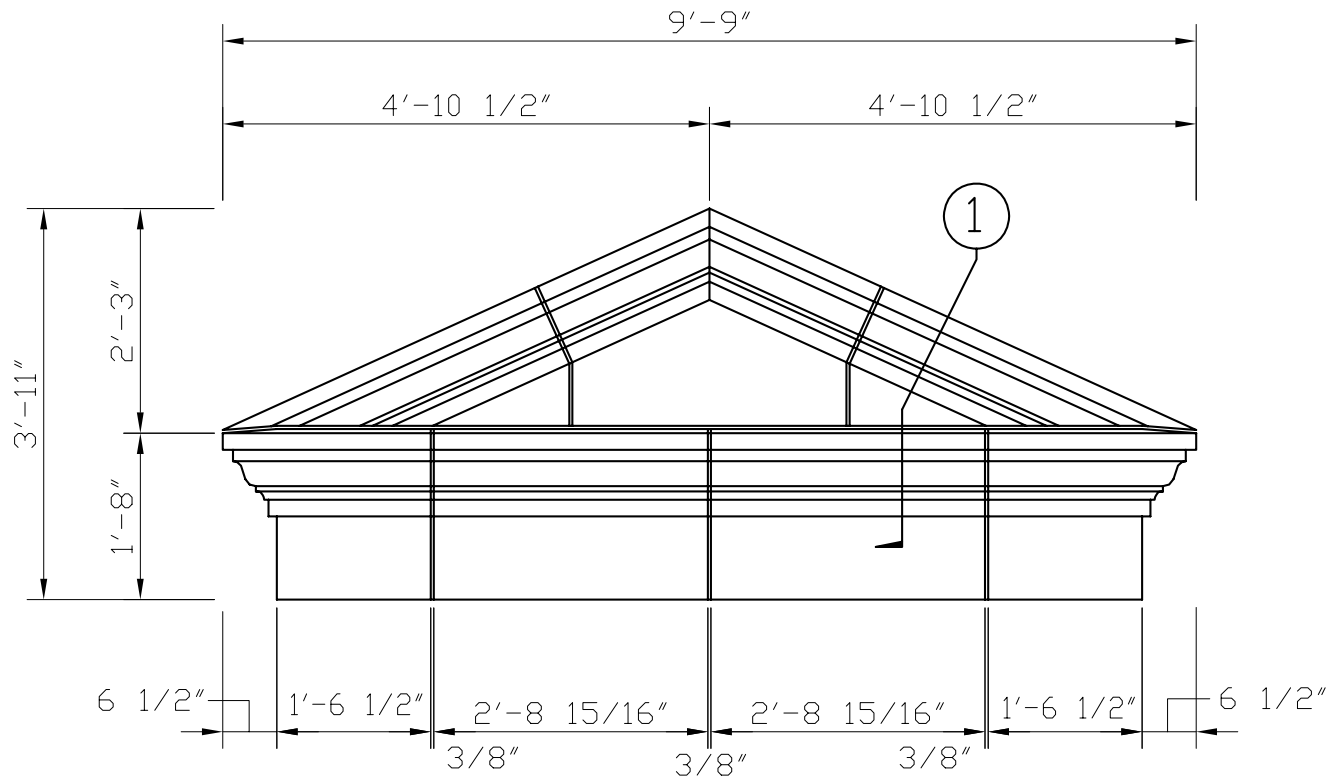
PEDIMENTS CAN ALSO BE MATCHED UP WITH VARIOUS COLUMNS AND PILASTERS. SEE SECTIONS 17 AND 18.



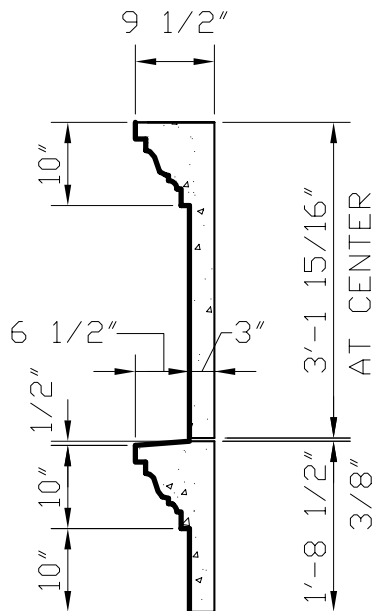
**OLDE WORLD
CAST STONE**

4280 WAYSIDE COURT LILBURN, GA. 30047. (770)921-9788. FAX 921-9910

DOOR PEDIMENTS



PD-604

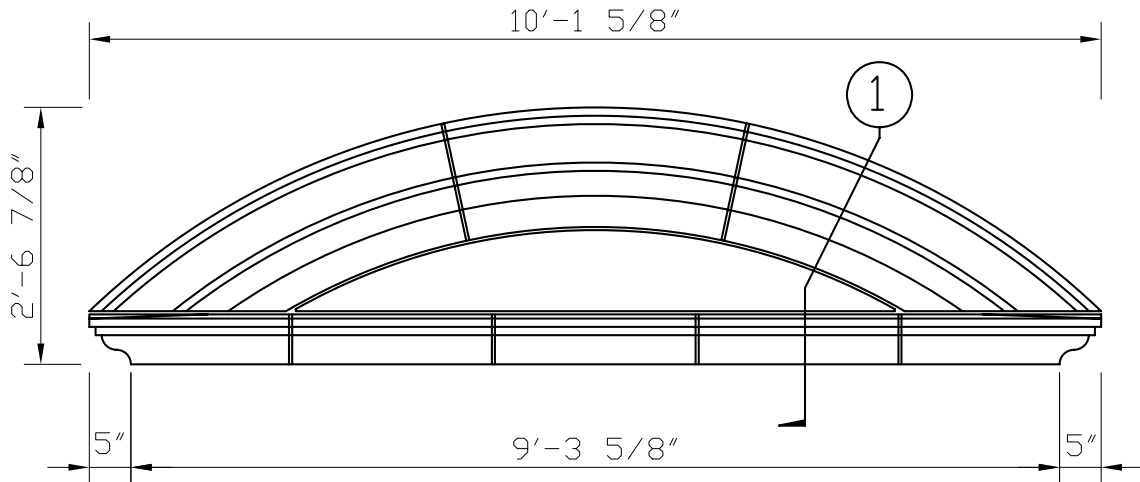


① SECTION

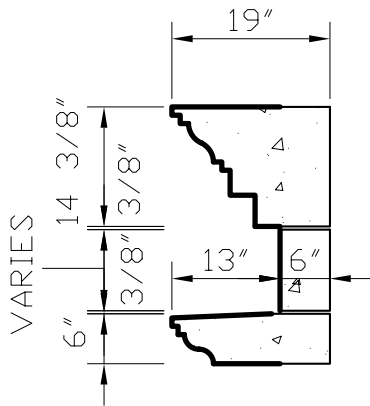
PEDIMENTS CAN ALSO BE MATCHED UP WITH VARIOUS COLUMNS AND PILASTERS. SEE SECTIONS 17 AND 18.



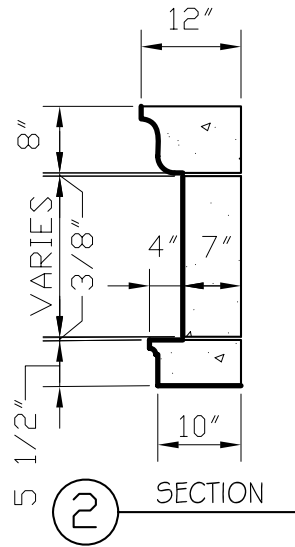
DOOR PEDIMENTS



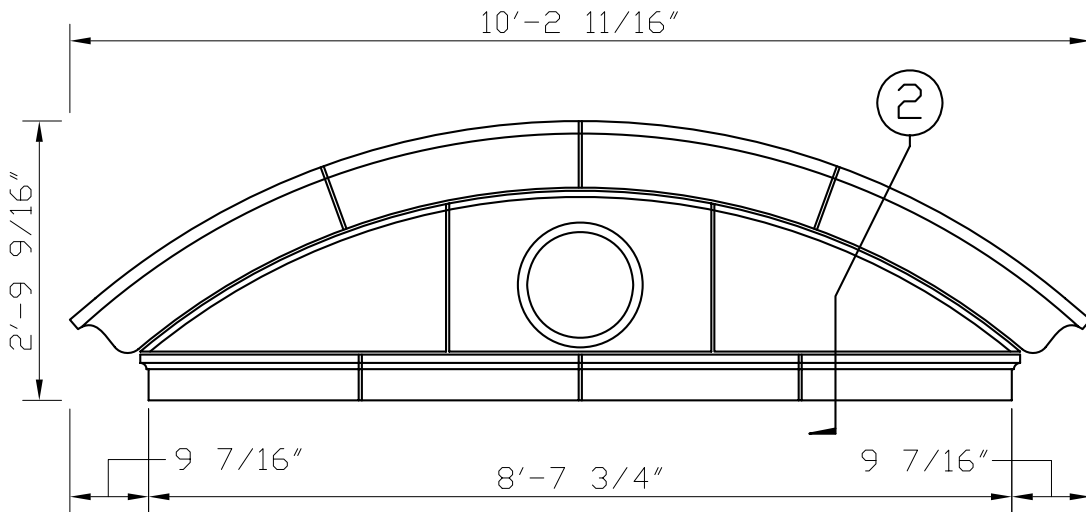
PED-304



① SECTION



② SECTION



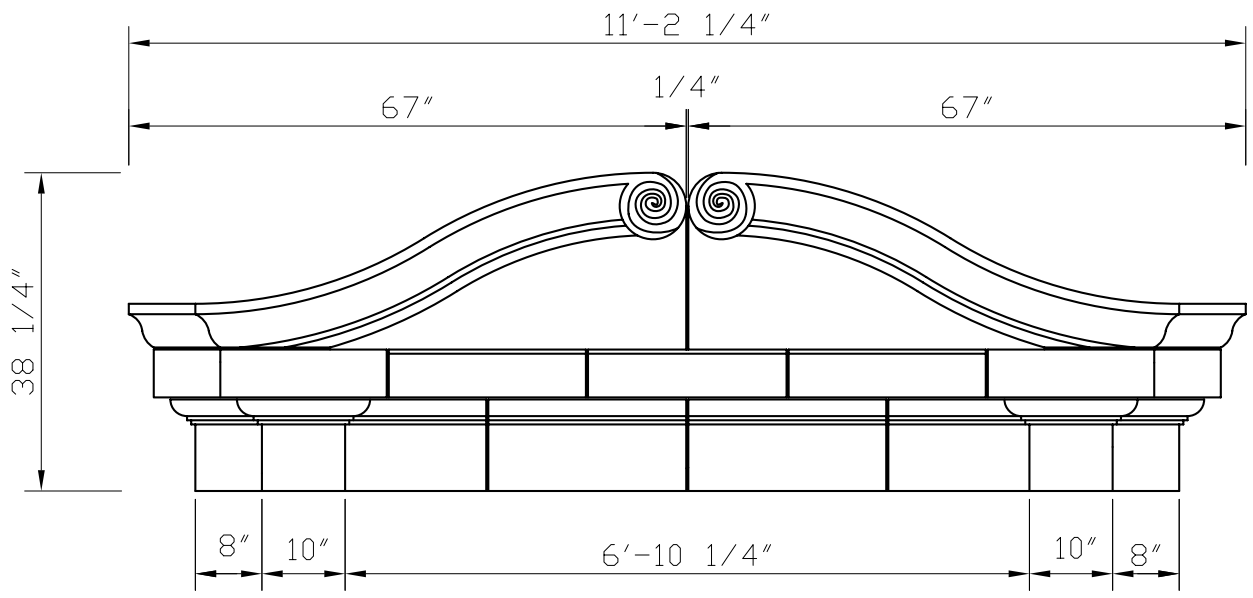
PED-503



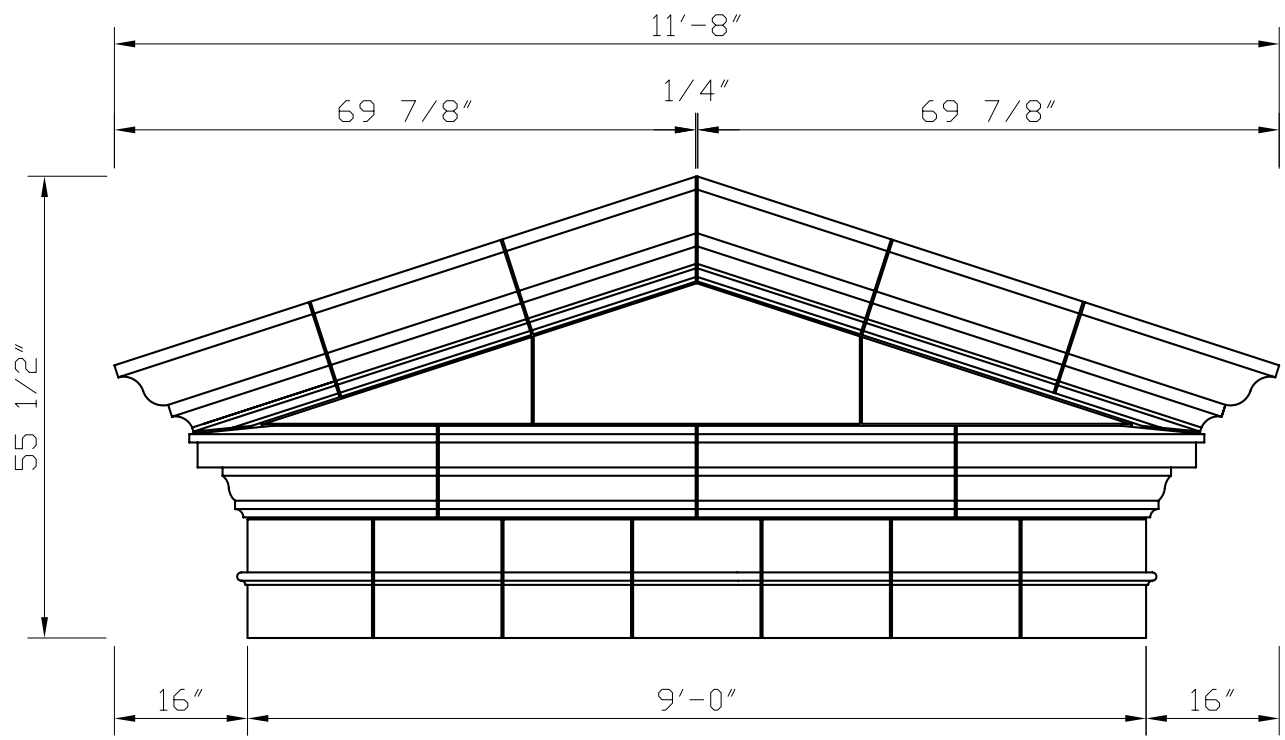
PEDIMENTS CAN ALSO BE MATCHED UP WITH VARIOUS COLUMNS AND PILASTERS. SEE SECTIONS 17 AND 18.

4280 WAYSIDE COURT LILBURN, GA. 30047. (770)921-9788. FAX 921-9910

DOOR PEDIMENTS



PD-506



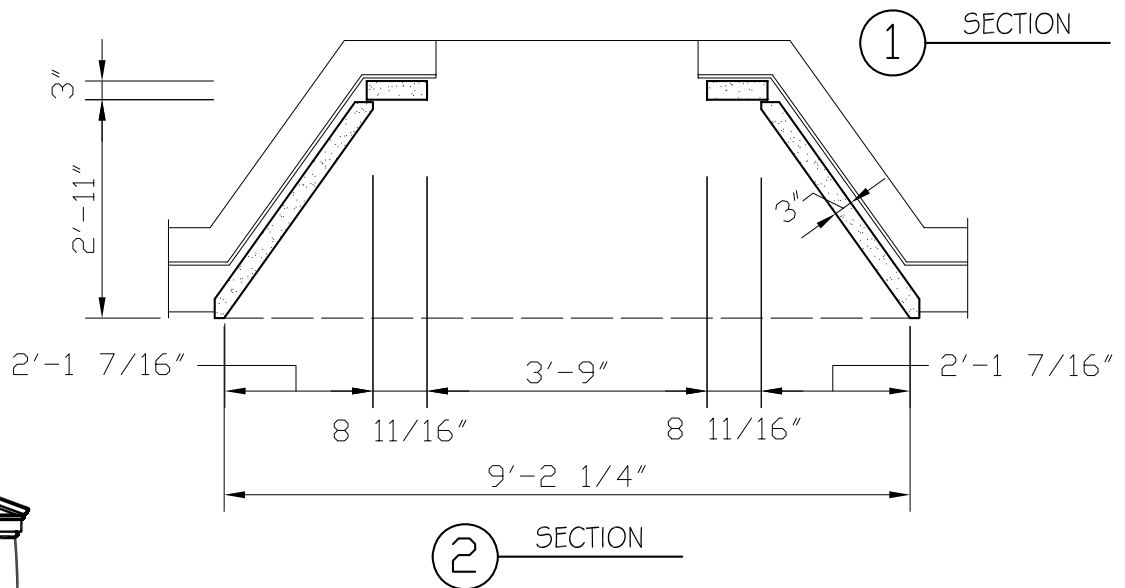
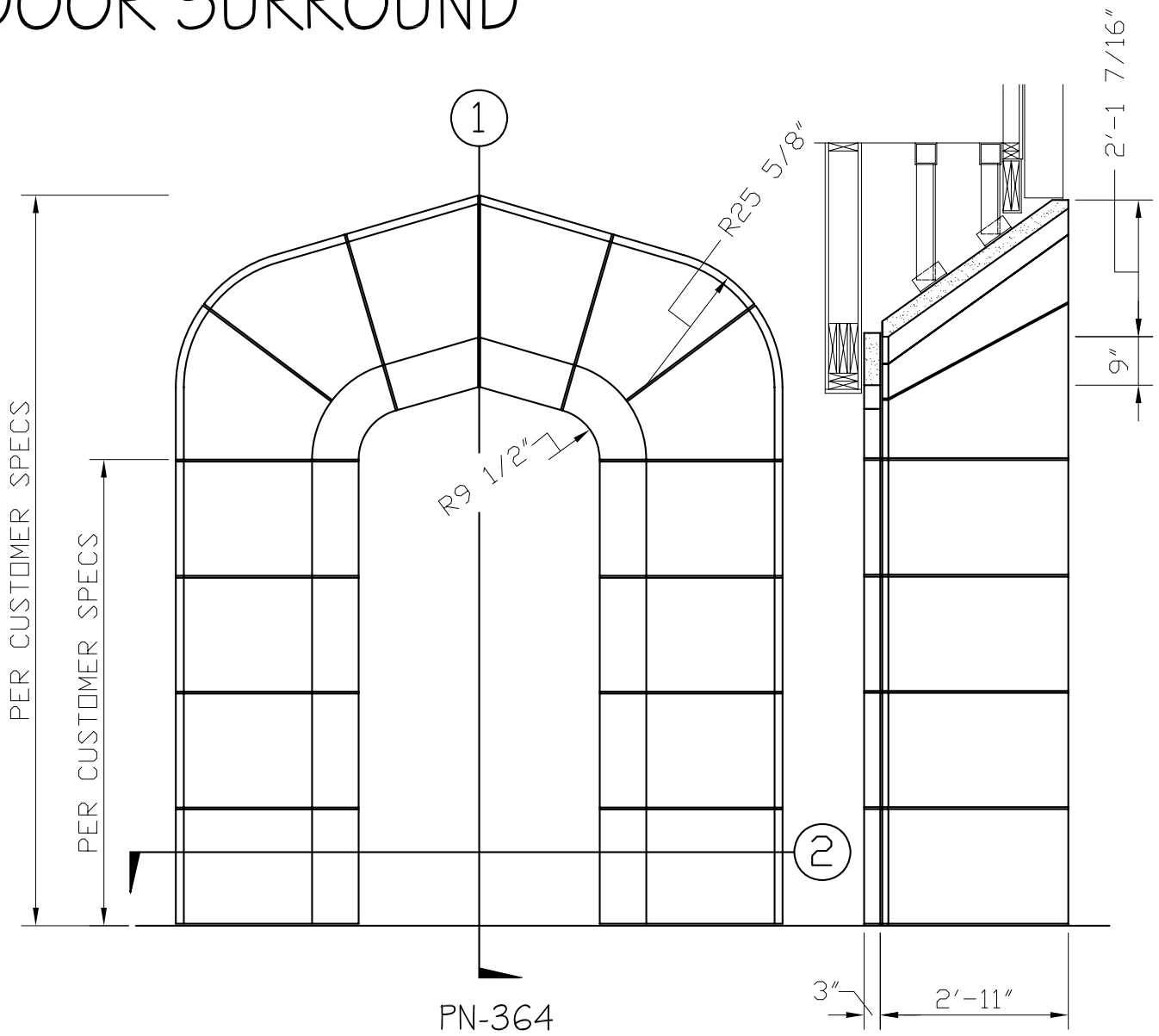
PD-521 A

PEDIMENTS CAN ALSO BE MATCHED UP WITH VARIOUS COLUMNS AND PILASTERS. SEE SECTIONS 17 AND 18.



4280 WAYSIDE COURT LILBURN, GA. 30047. (770)921-9788. FAX 921-9910

DOOR SURROUND

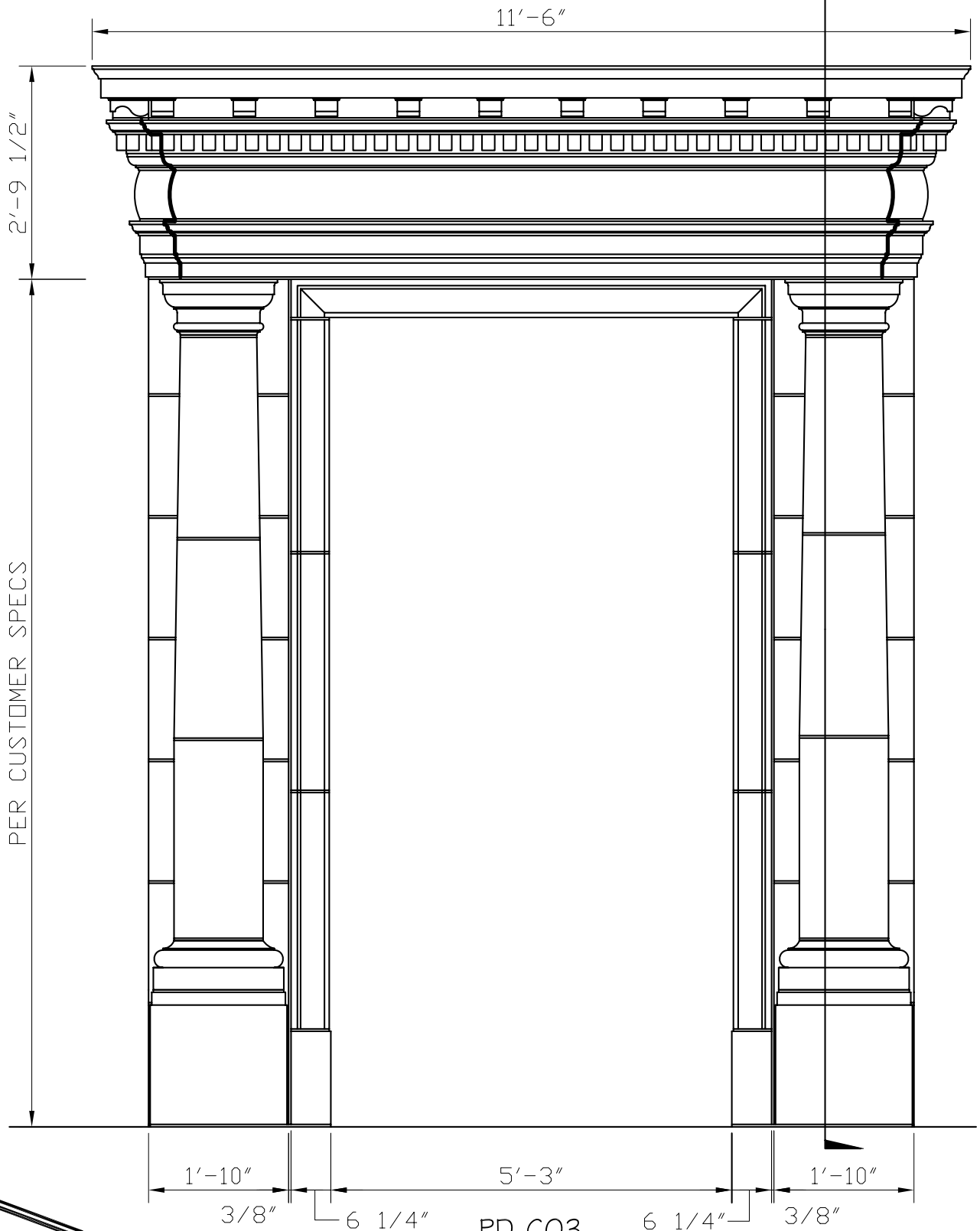


4280 WAYSIDE COURT LILBURN, GA. 30047. (770)921-9788. FAX 921-9910

DOOR SURROUND / PEDIMENT

SEE 5-19

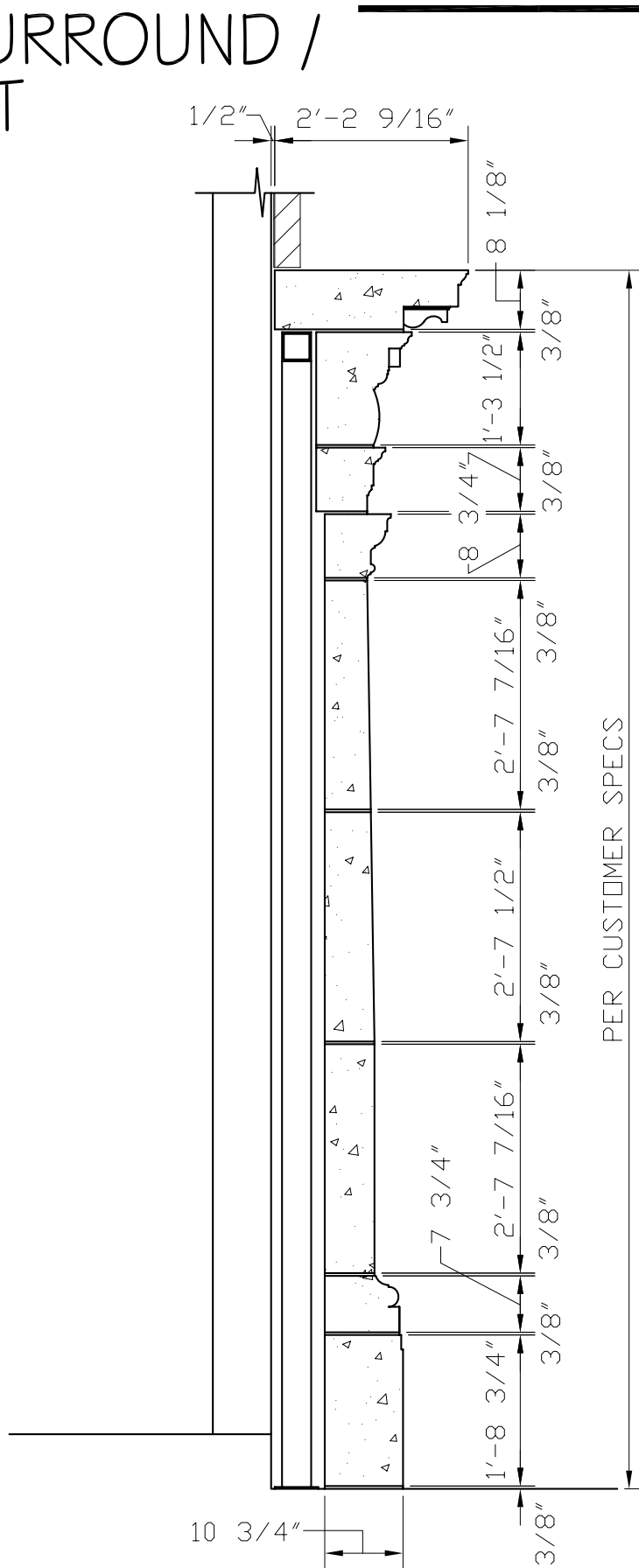
①



ADJUSTMENTS IN JAMB PIECES CAN BE
MADE TO FIT VARIOUS DOOR HEIGHTS.

4280 WAYSIDE COURT LILBURN, GA. 30047. (770)921-9788. FAX 921-9910

DOOR SURROUND / PEDIMENT



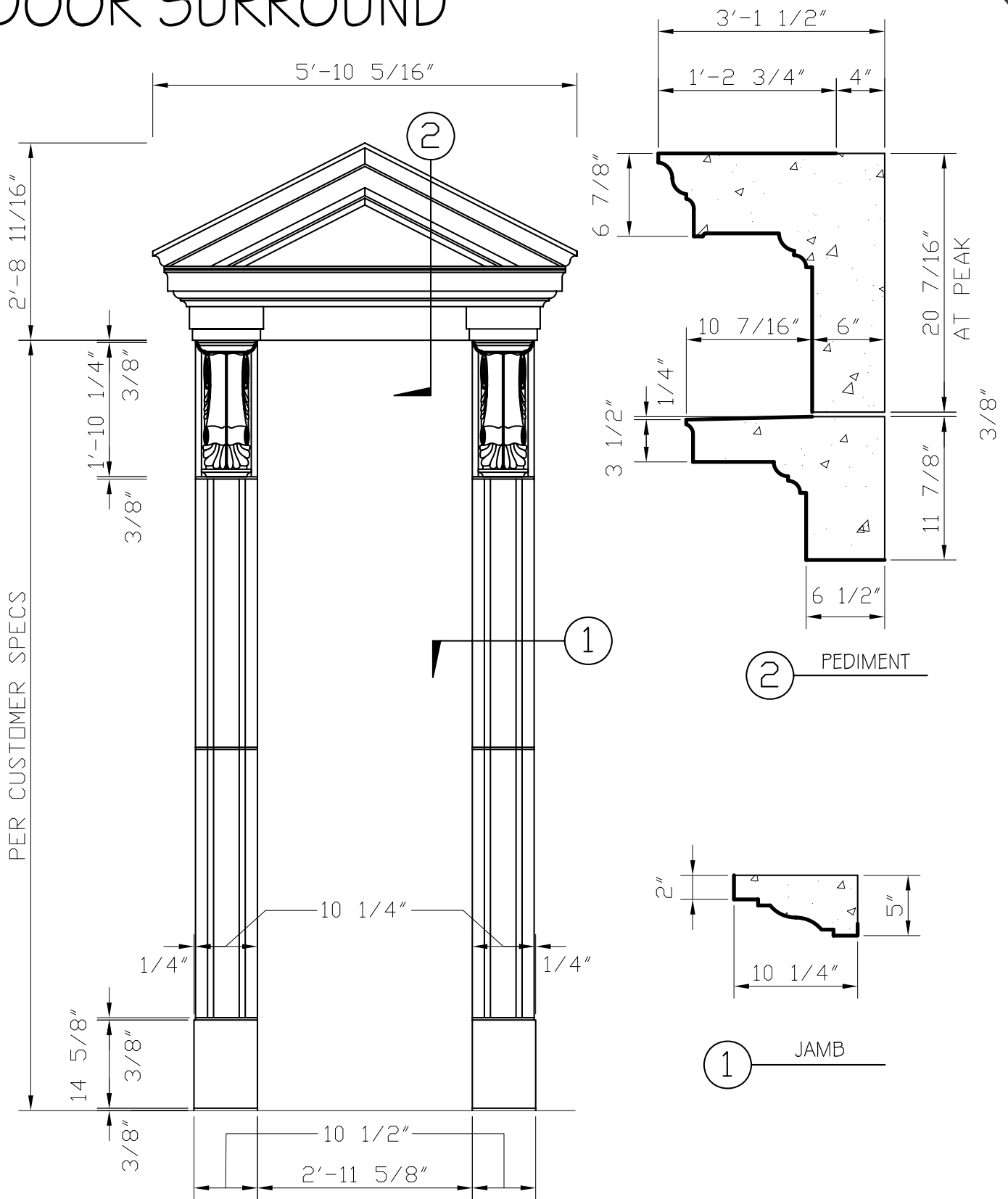
PER CUSTOMER SPECS

10 3/4"
SECTION
1 PD-603



4280 WAYSIDE COURT LILBURN, GA. 30047. (770)921-9788. FAX 921-9910

DOOR SURROUND



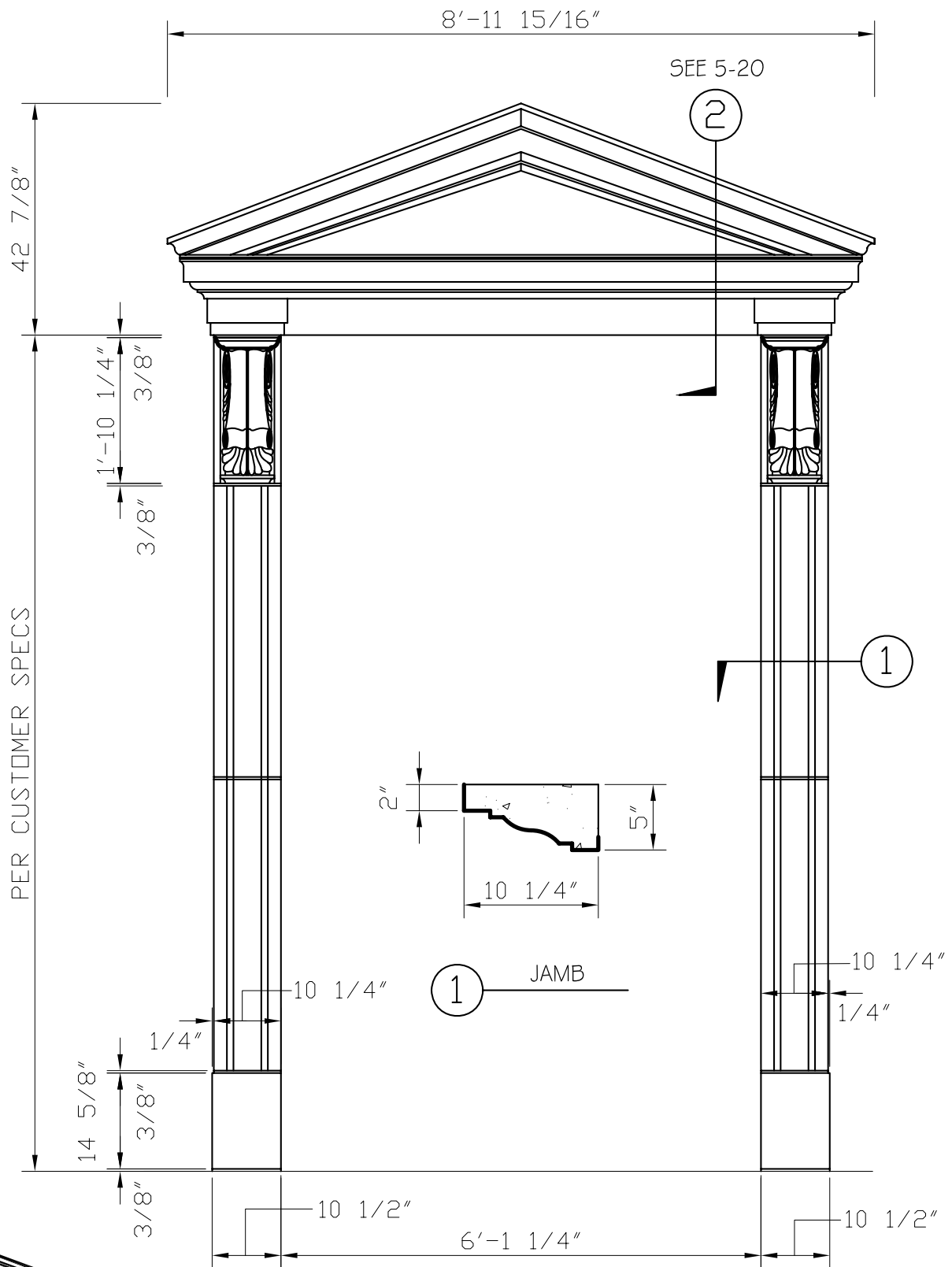
PD-600 A



ADJUSTMENTS IN JAMB PIECES CAN BE
MADE TO FIT VARIOUS DOOR HEIGHTS.

4280 WAYSIDE COURT LILBURN, GA. 30047. (770)921-9788. FAX 921-9910

DOOR SURROUND



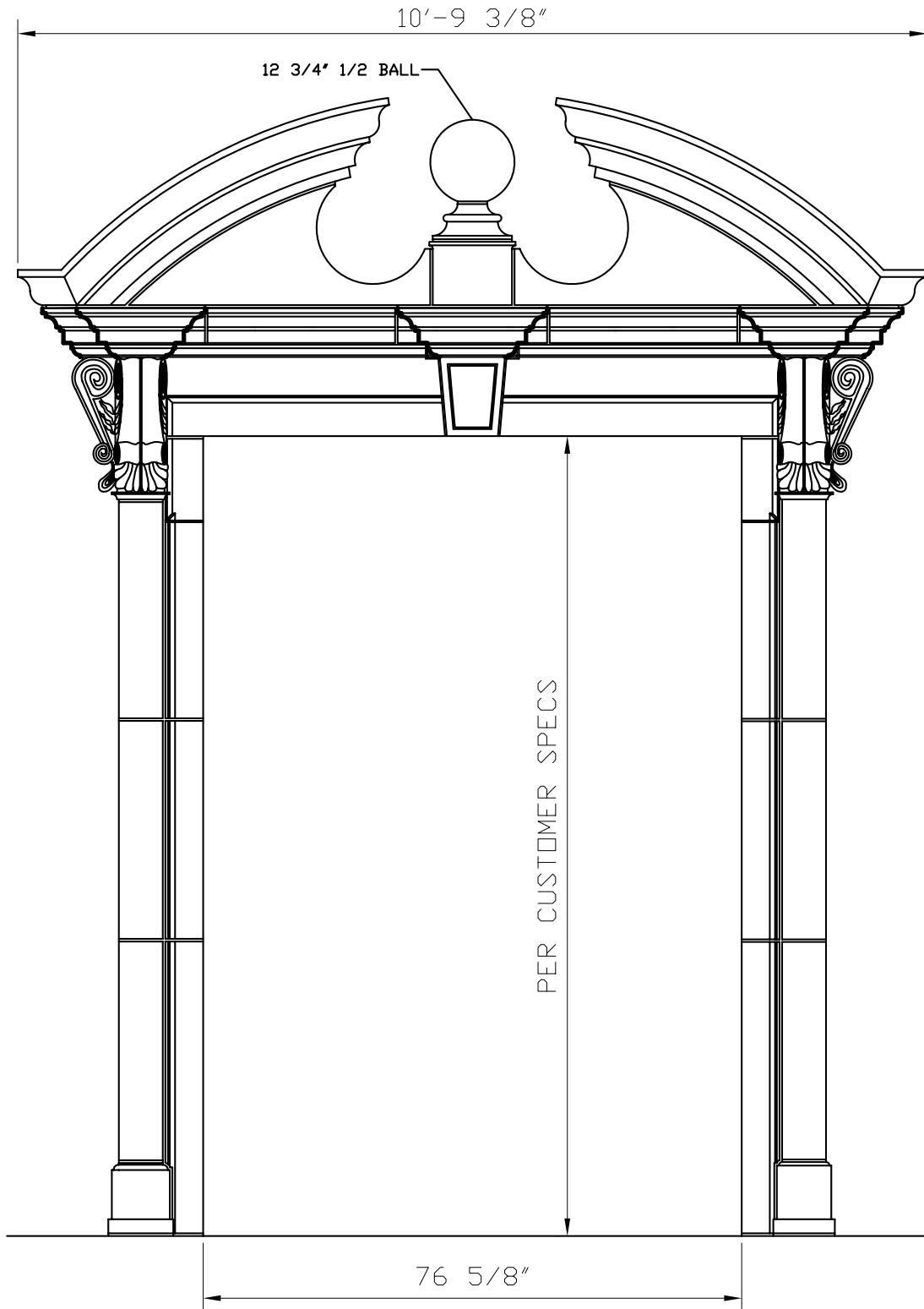
PD-600 B

ADJUSTMENTS IN JAMB PIECES CAN BE
MADE TO FIT VARIOUS DOOR HEIGHTS.

4280 WAYSIDE COURT LILBURN, GA. 30047. (770)921-9788. FAX 921-9910



DOOR SURROUND / PEDIMENT

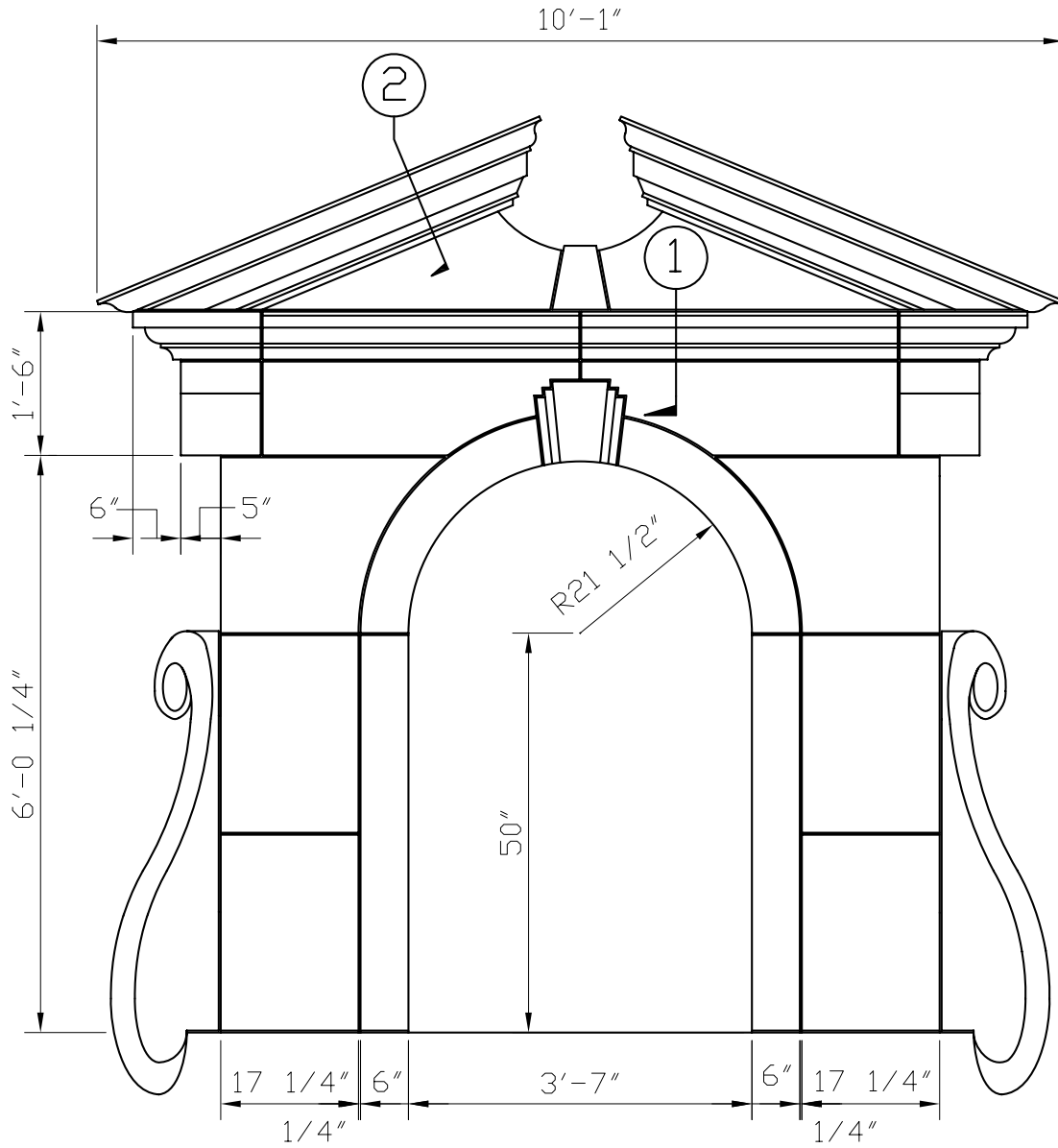


PED-508

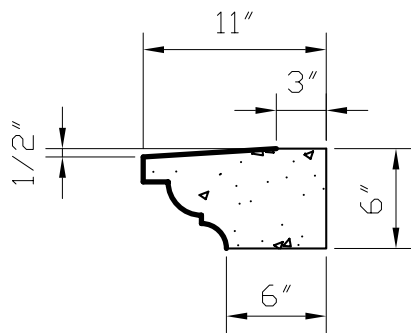
ADJUSTMENTS IN JAMB PIECES CAN BE
MADE TO FIT VARIOUS DOOR HEIGHTS.

4280 WAYSIDE COURT LILBURN, GA. 30047. (770)921-9788. FAX 921-9910

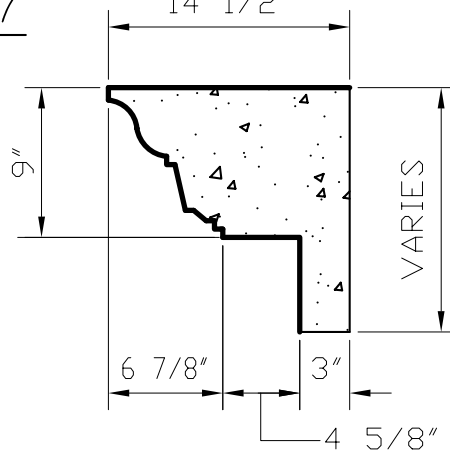
WINDOW SURROUND



PED-507



① CORNICE



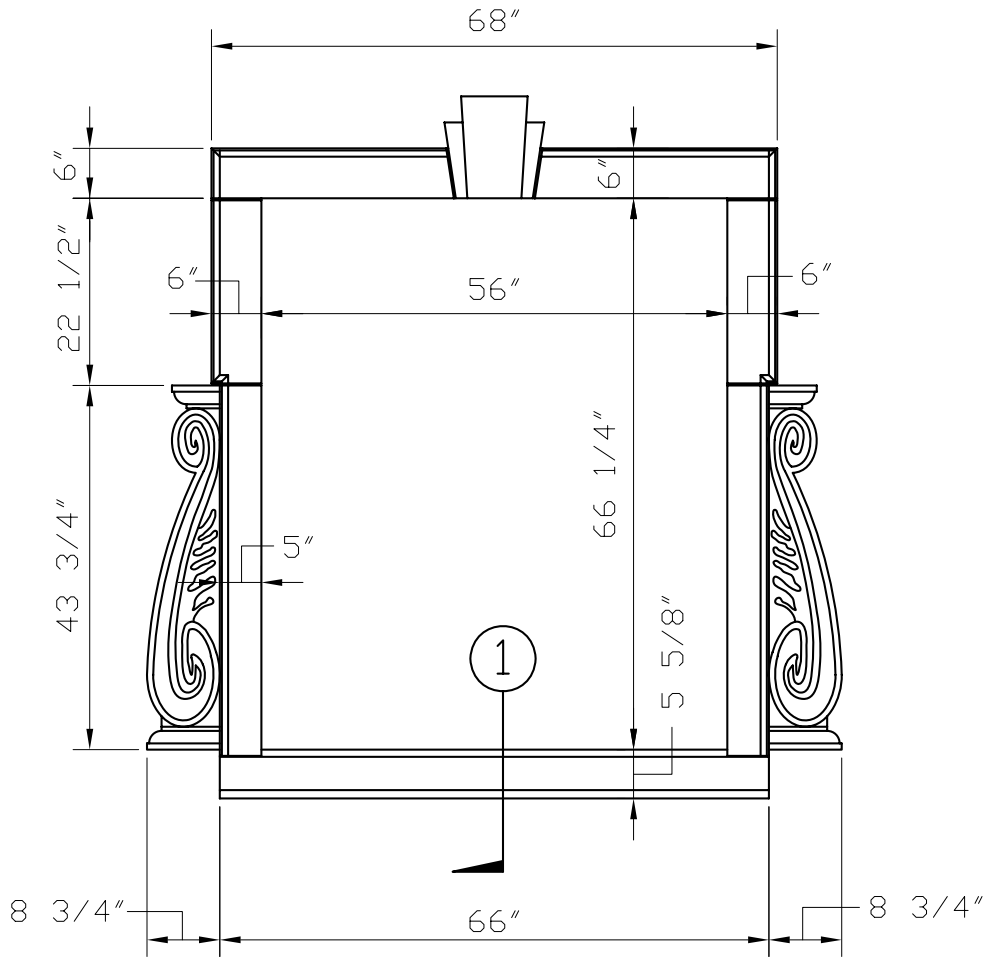
② PEDIMENT



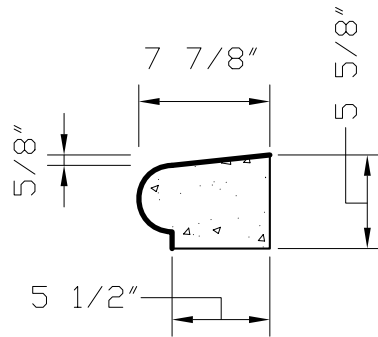
OLDE WORLD
CAST STONE

4280 WAYSIDE COURT LILBURN, GA. 30047. (770)921-9788. FAX 921-9910

WINDOW SURROUND



S-251

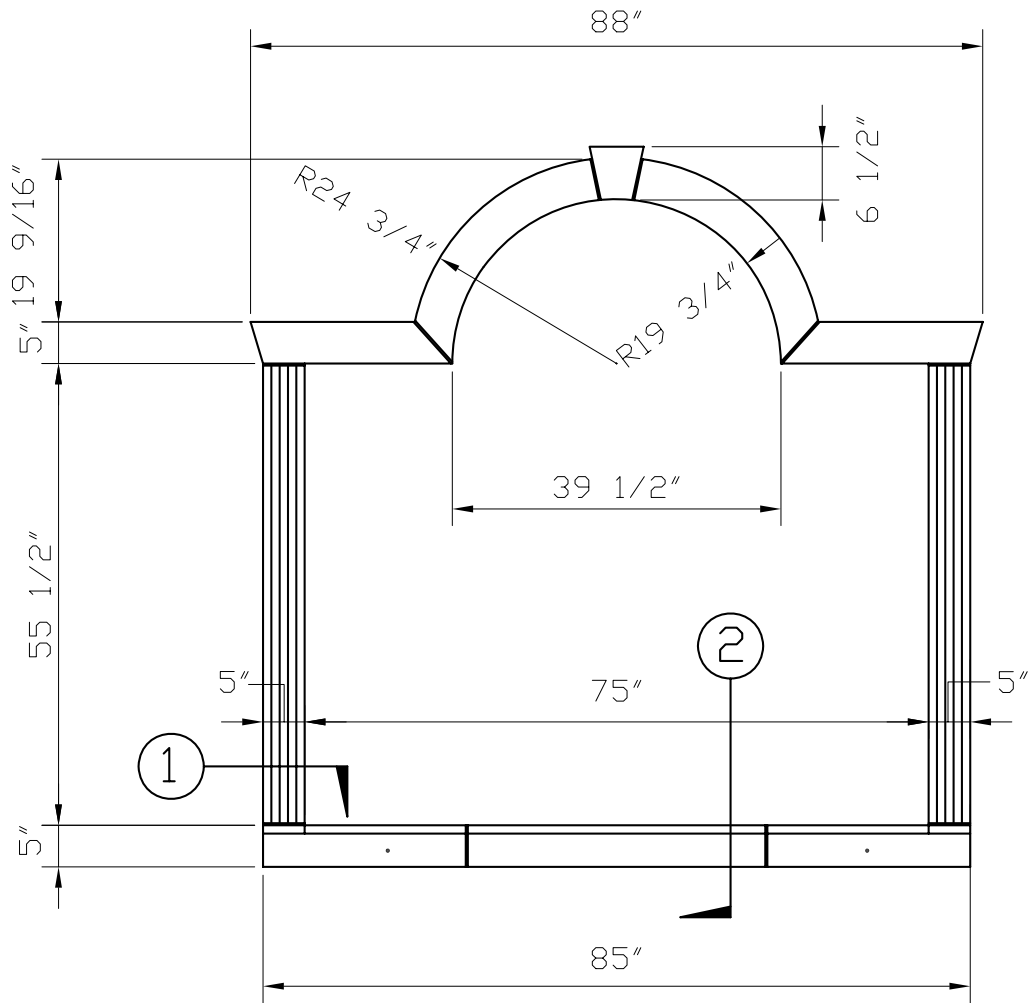


① SILL

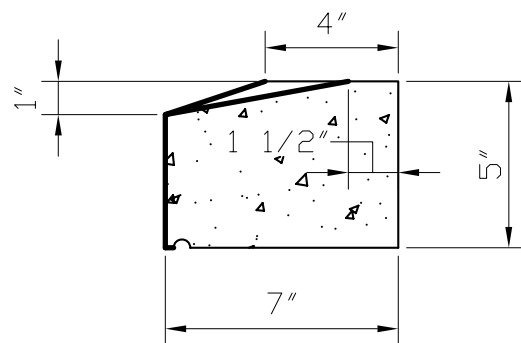
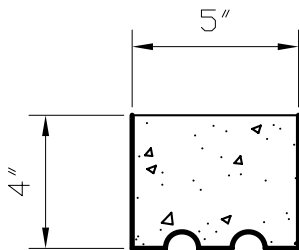


4280 WAYSIDE COURT LILBURN, GA. 30047. (770)921-9788. FAX 921-9910

WINDOW SURROUND



S-224



① JAMB

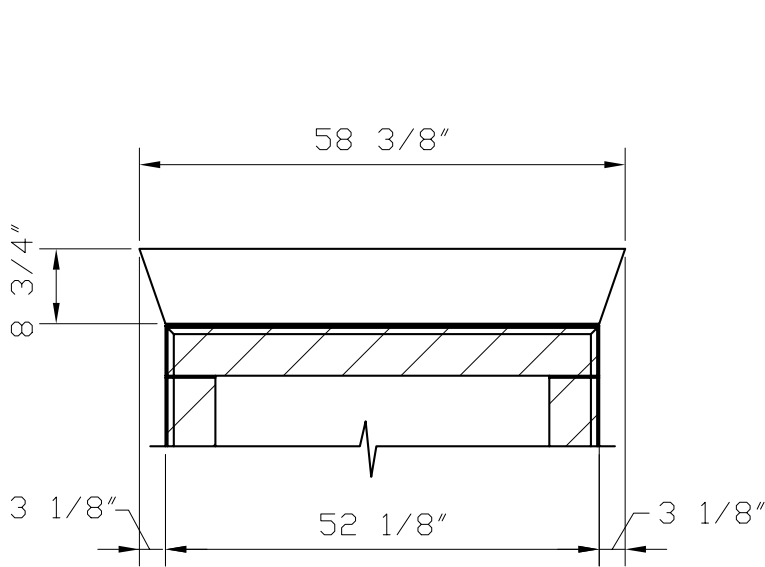
② SILL



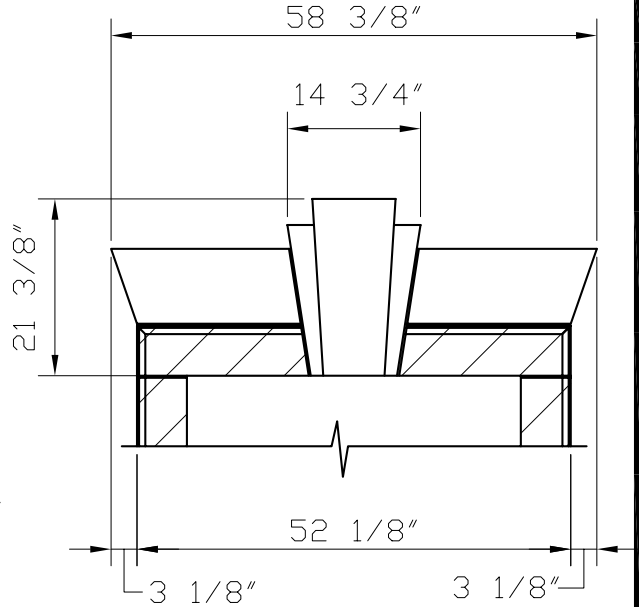
ADJUSTMENTS IN JAMB PIECES CAN BE
MADE TO FIT VARIOUS WINDOW HEIGHTS.

4280 WAYSIDE COURT LILBURN, GA. 30047. (770)921-9788. FAX 921-9910

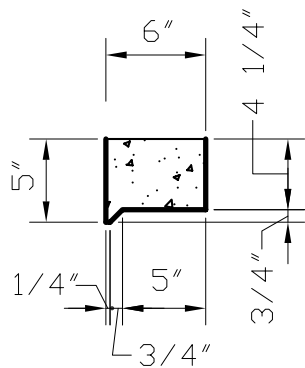
WINDOW PEDIMENTS AND SURROUND



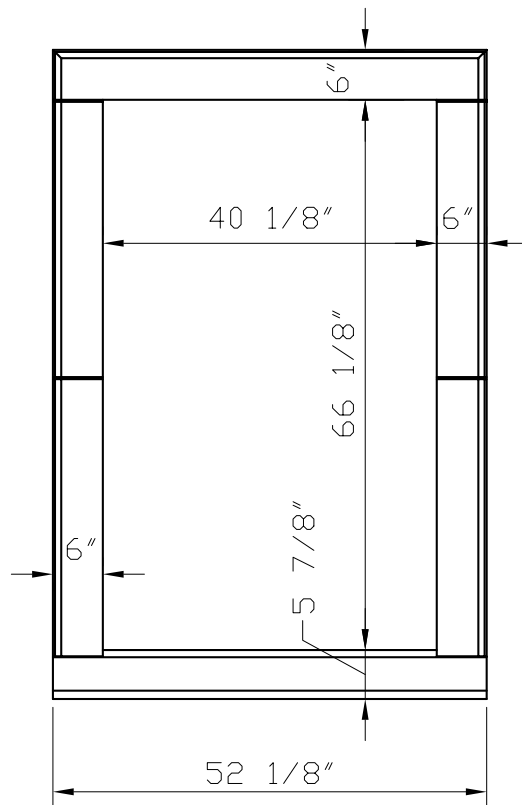
LN-139



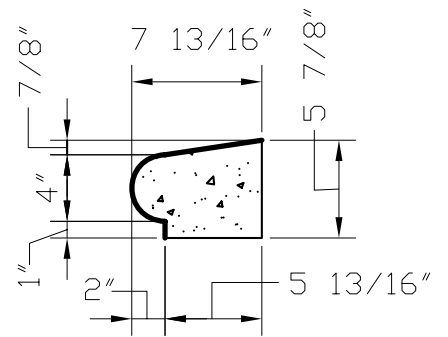
LN-139 K



JAMB & HEAD



S-251



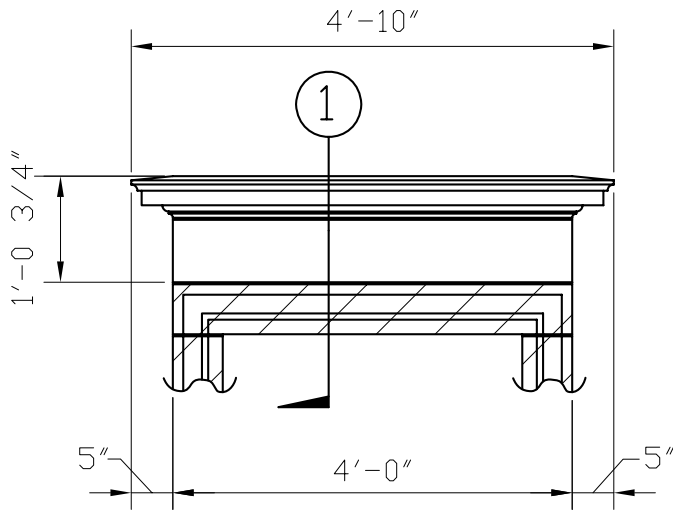
WINDOW SILL



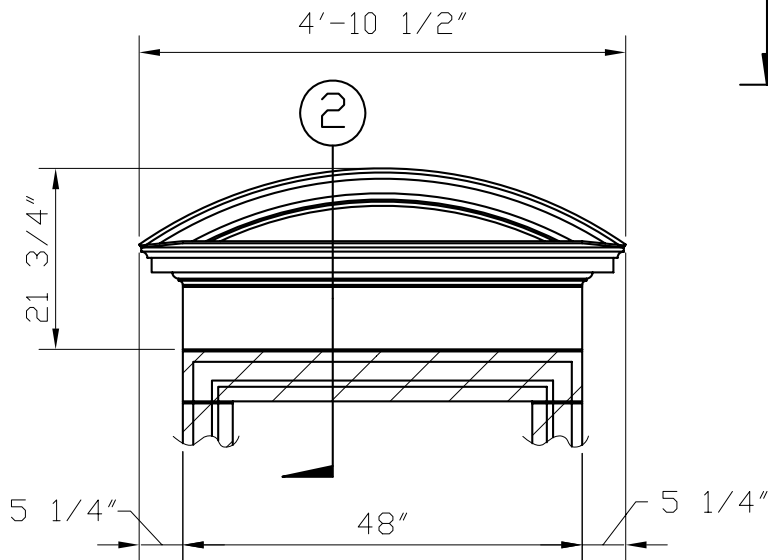
ADJUSTMENTS IN JAMB AND HEAD PIECES CAN BE MADE TO FIT VARIOUS WINDOW OPENINGS.

4280 WAYSIDE COURT LILBURN, GA. 30047. (770)921-9788. FAX 921-9910

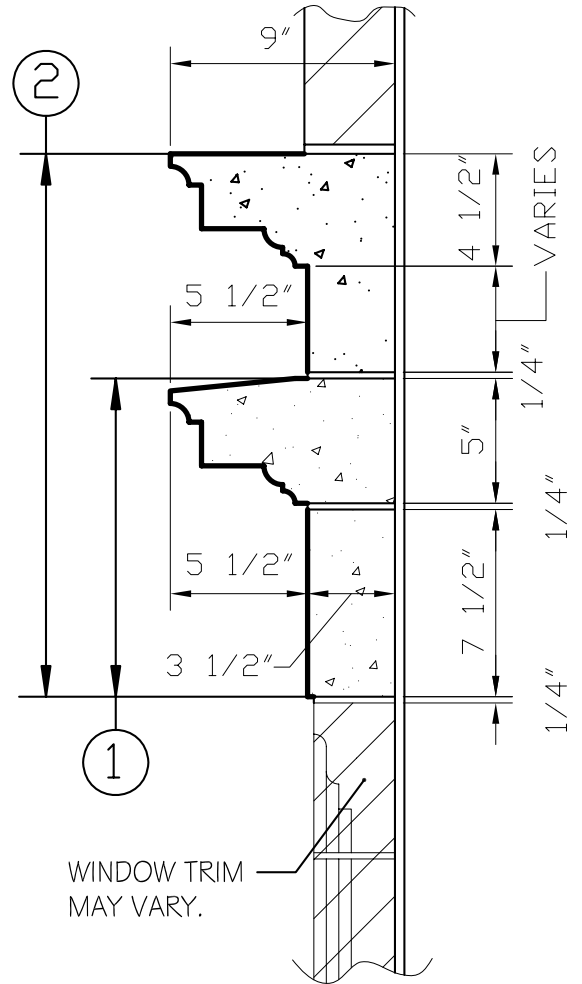
WINDOW PEDIMENTS



ELEVATION
PED-504



ELEVATION
PED-504 R



WINDOW TRIM
MAY VARY.

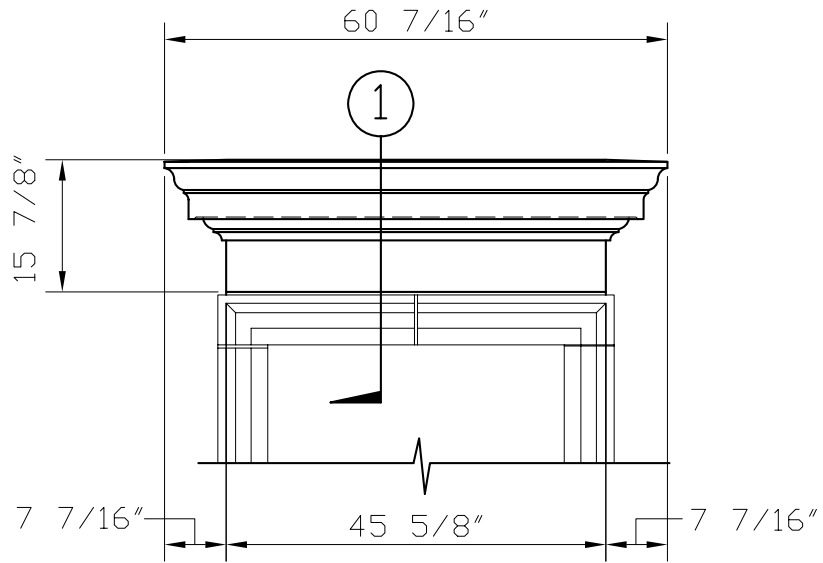
SECTION



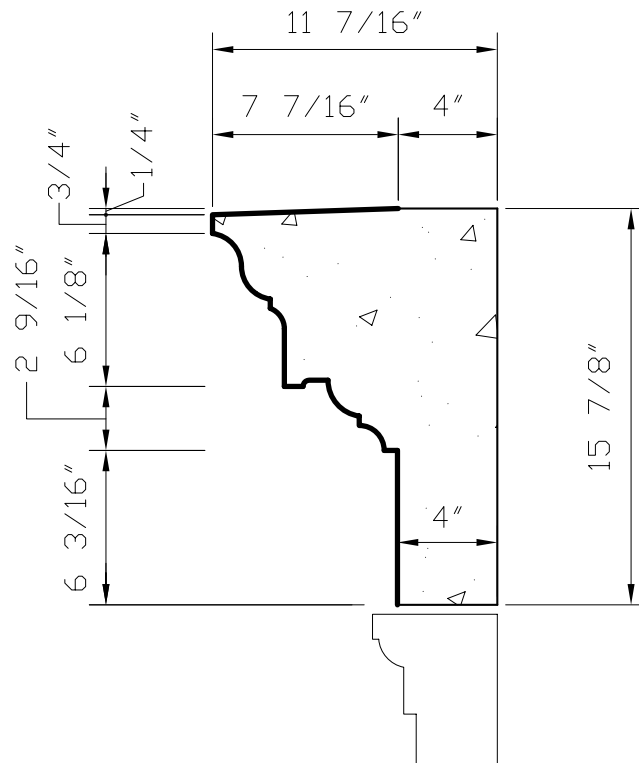
OLDE WORLD
CAST STONE

4280 WAYSIDE COURT LILBURN, GA. 30047. (770)921-9788. FAX 921-9910

WINDOW PEDIMENT



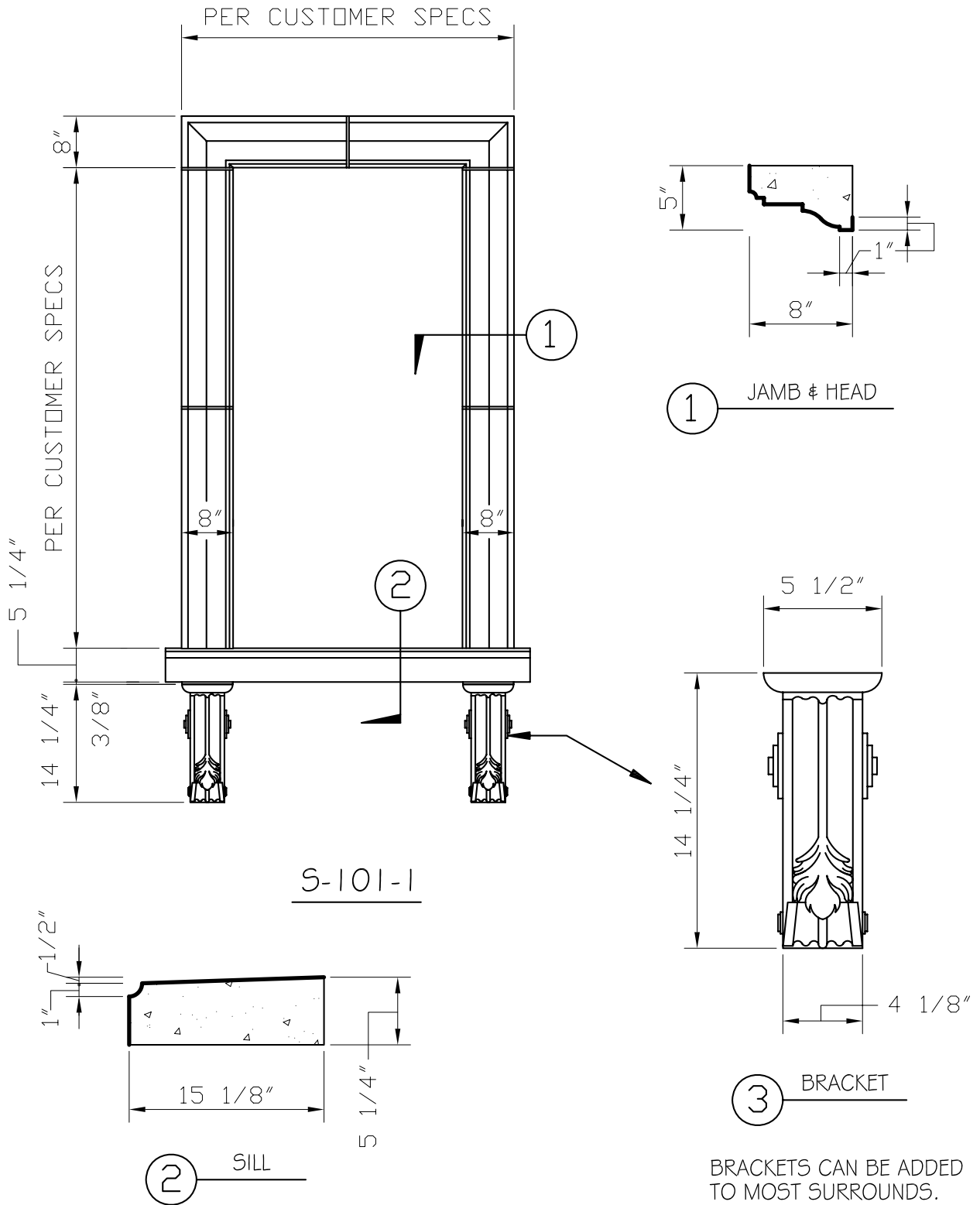
S-346



1 SECTION



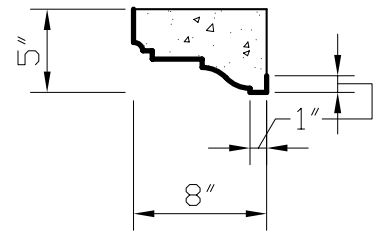
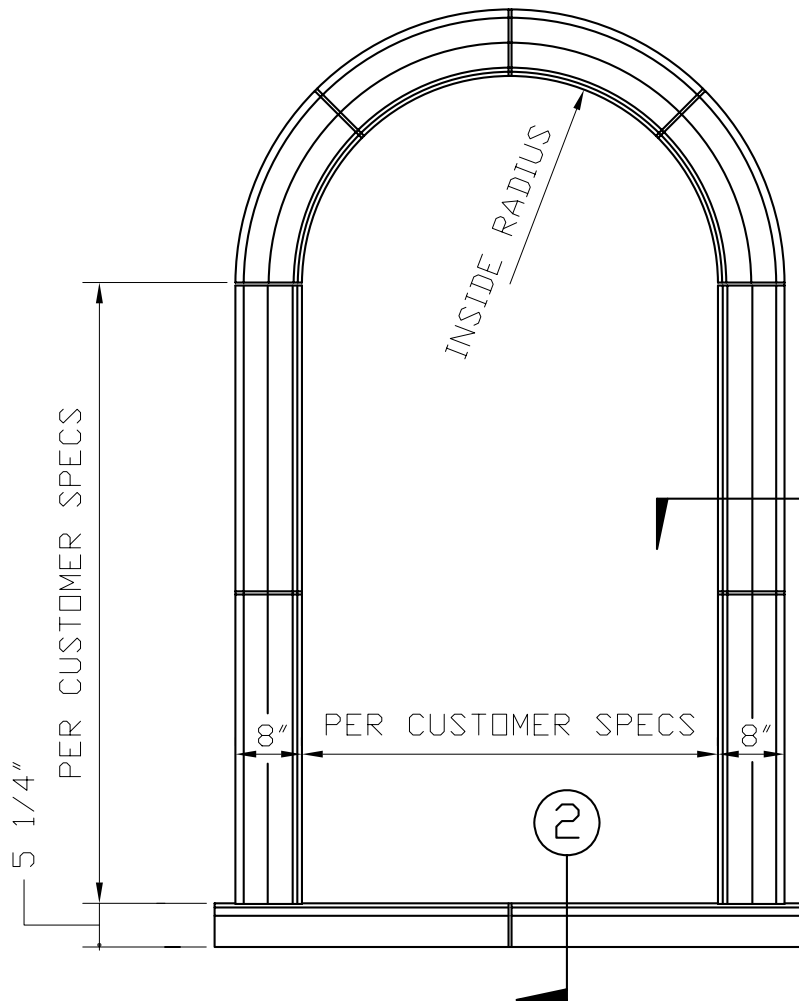
WINDOW SURROUND



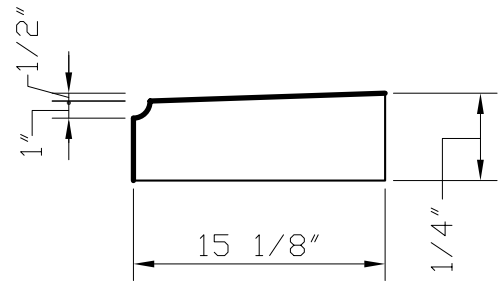
ADJUSTMENTS IN JAMB AND HEAD PIECES CAN BE MADE TO FIT VARIOUS WINDOW OPENINGS.

4280 WAYSIDE COURT LILBURN, GA. 30047. (770)921-9788. FAX 921-9910

WINDOW SURROUND



① JAMB & HEAD



② SILL

S-101-2

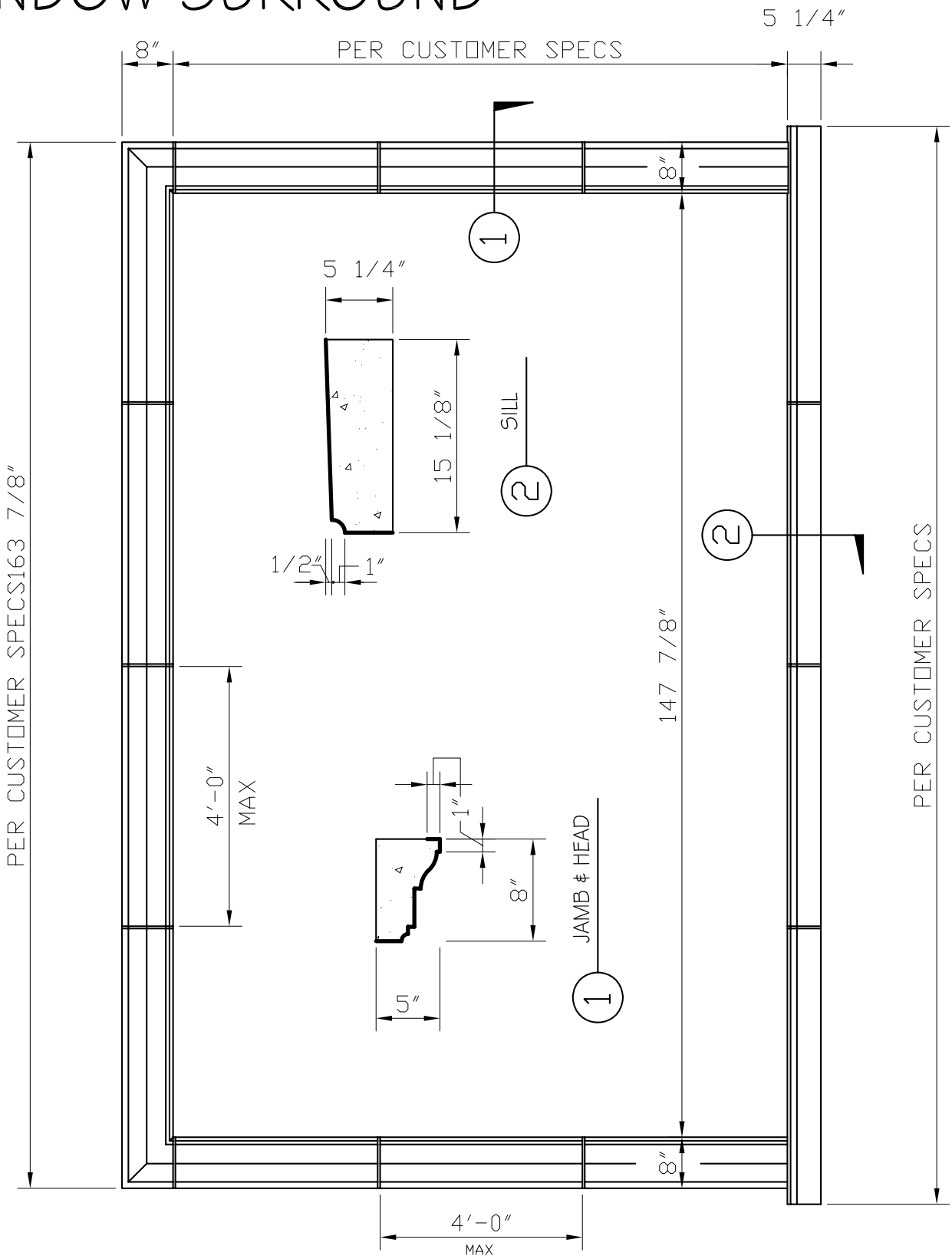
<u>RADIUS HEAD MOLDS</u>	<u>INSIDE RADIUS</u>
S-101-836-25 OR	2'-1"
S-101-0836-34 1/4-OR	2'-2 1/4"
S-101-0836-44-OR	3'-0"
S-101-0842-46.5-OR	3'-2 1/2"
S-101-0836-68 3/8-OR	5'-0 3/8"
S-101-0842-81-OR	6'-1"
S-101-0836-119 3/4-OR	9'-3 3/4"



ADJUSTMENTS IN JAMB AND HEAD PIECES CAN BE MADE TO FIT VARIOUS WINDOW OPENINGS.

4280 WAYSIDE COURT LILBURN, GA. 30047. (770)921-9788. FAX 921-9910

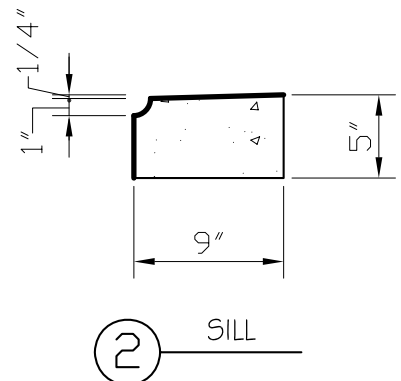
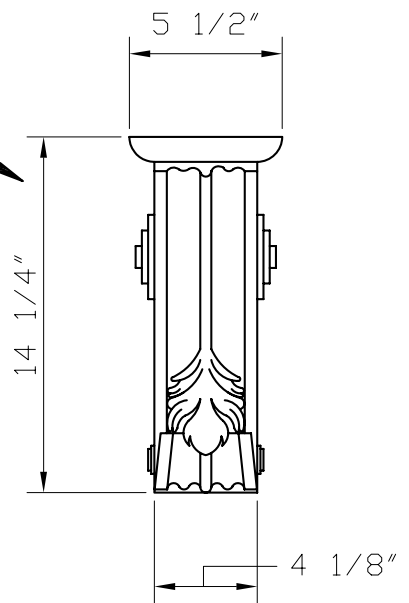
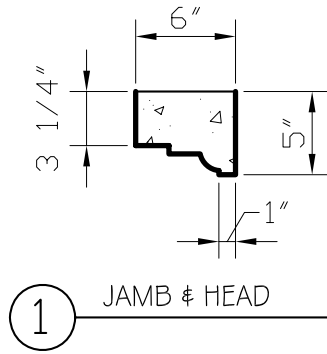
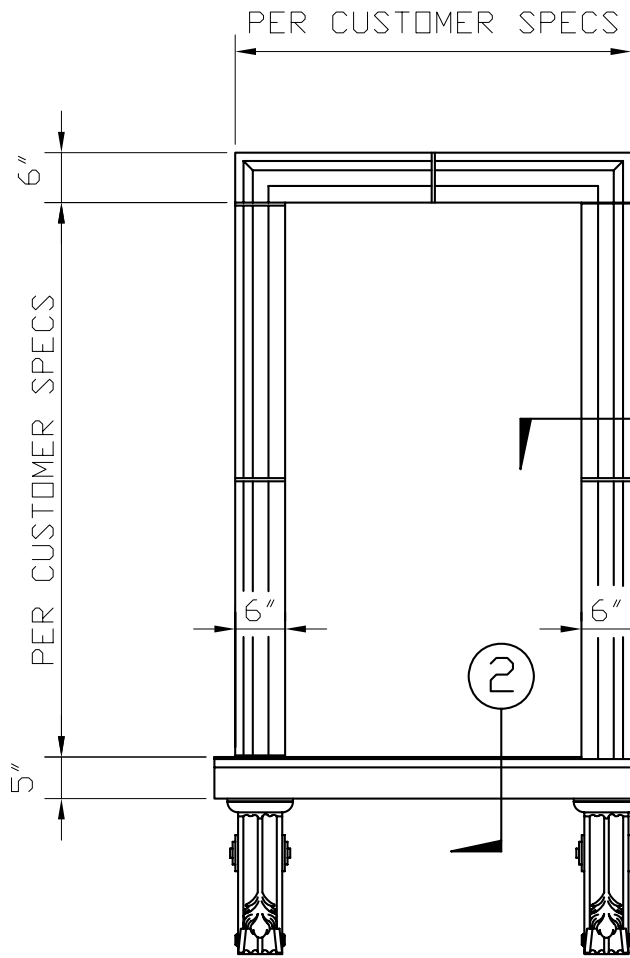
WINDOW SURROUND



ADJUSTMENTS IN JAMB AND HEAD PIECES CAN BE MADE TO FIT VARIOUS WINDOW OPENINGS.

4280 WAYSIDE COURT LILBURN, GA. 30047. (770)921-9788. FAX 921-9910

WINDOW SURROUND



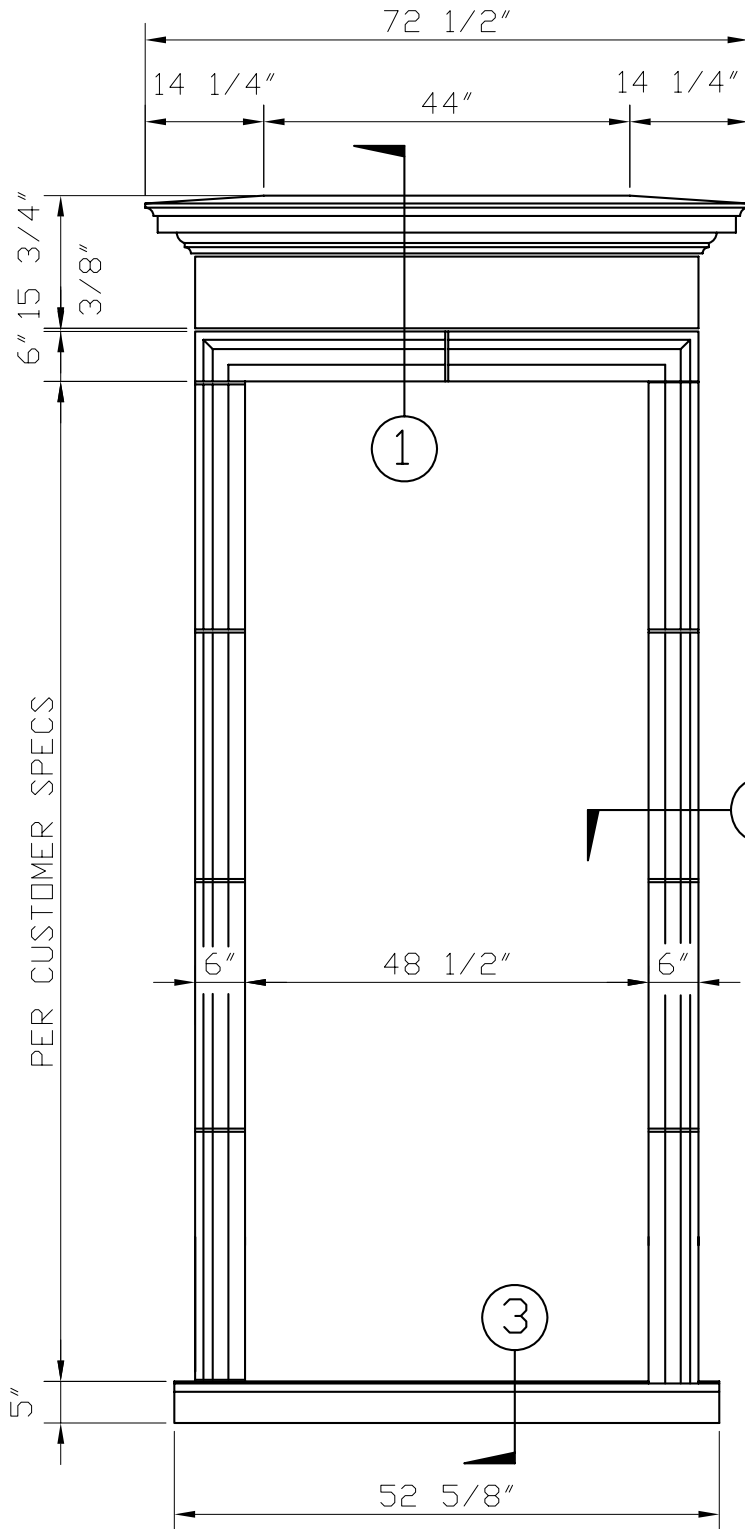
BRACKETS CAN BE ADDED TO MOST SURROUNDS.



ADJUSTMENTS IN JAMB AND HEAD PIECES CAN BE MADE TO FIT VARIOUS WINDOW OPENINGS.

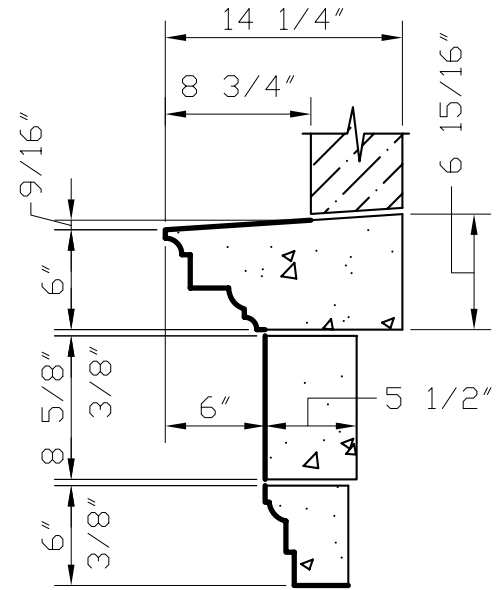
4280 WAYSIDE COURT LILBURN, GA. 30047. (770)921-9788. FAX 921-9910

WINDOW SURROUND

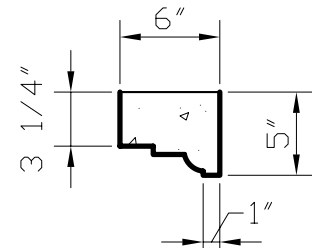


S-102-P

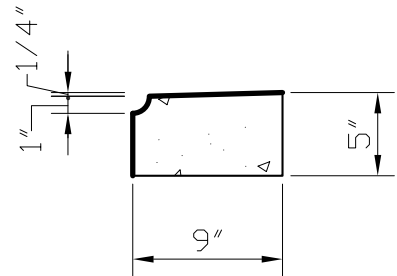
CAN ALSO BE USED AS A DOOR SURROUND



1 HEAD



2 JAMB



3 SILL

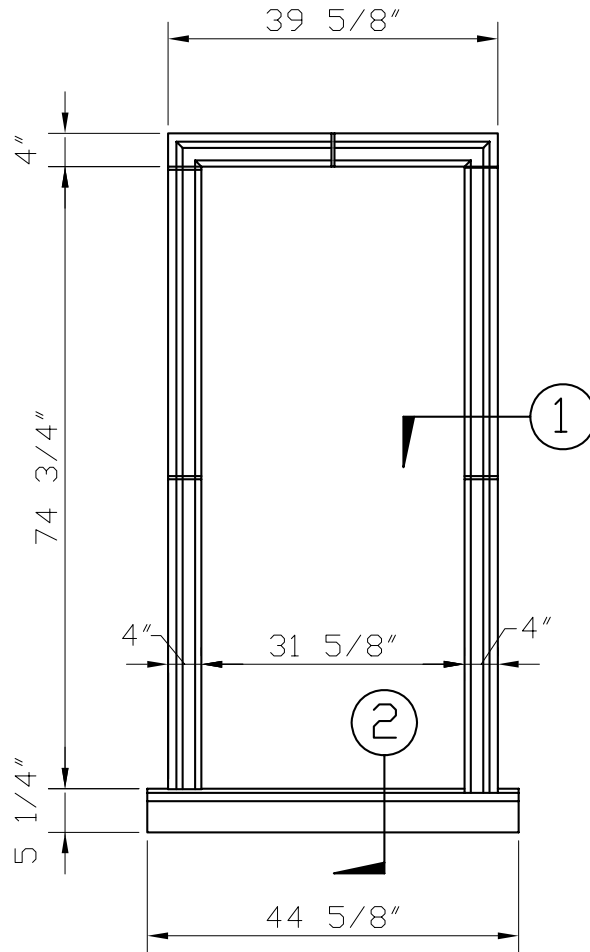
ADJUSTMENTS IN JAMB AND HEAD PIECES CAN BE MADE TO FIT VARIOUS WINDOW OPENINGS.



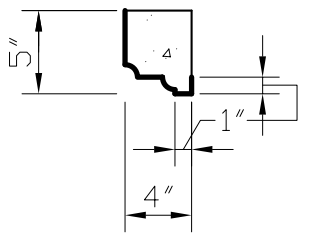
OLDE WORLD
CAST STONE

4280 WAYSIDE COURT LILBURN, GA. 30047. (770)921-9788. FAX 921-9910

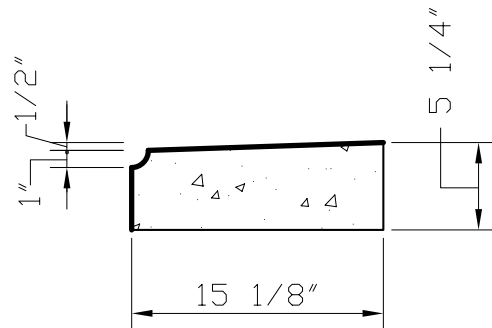
WINDOW SURROUND



S-340 A



① JAMB & HEAD



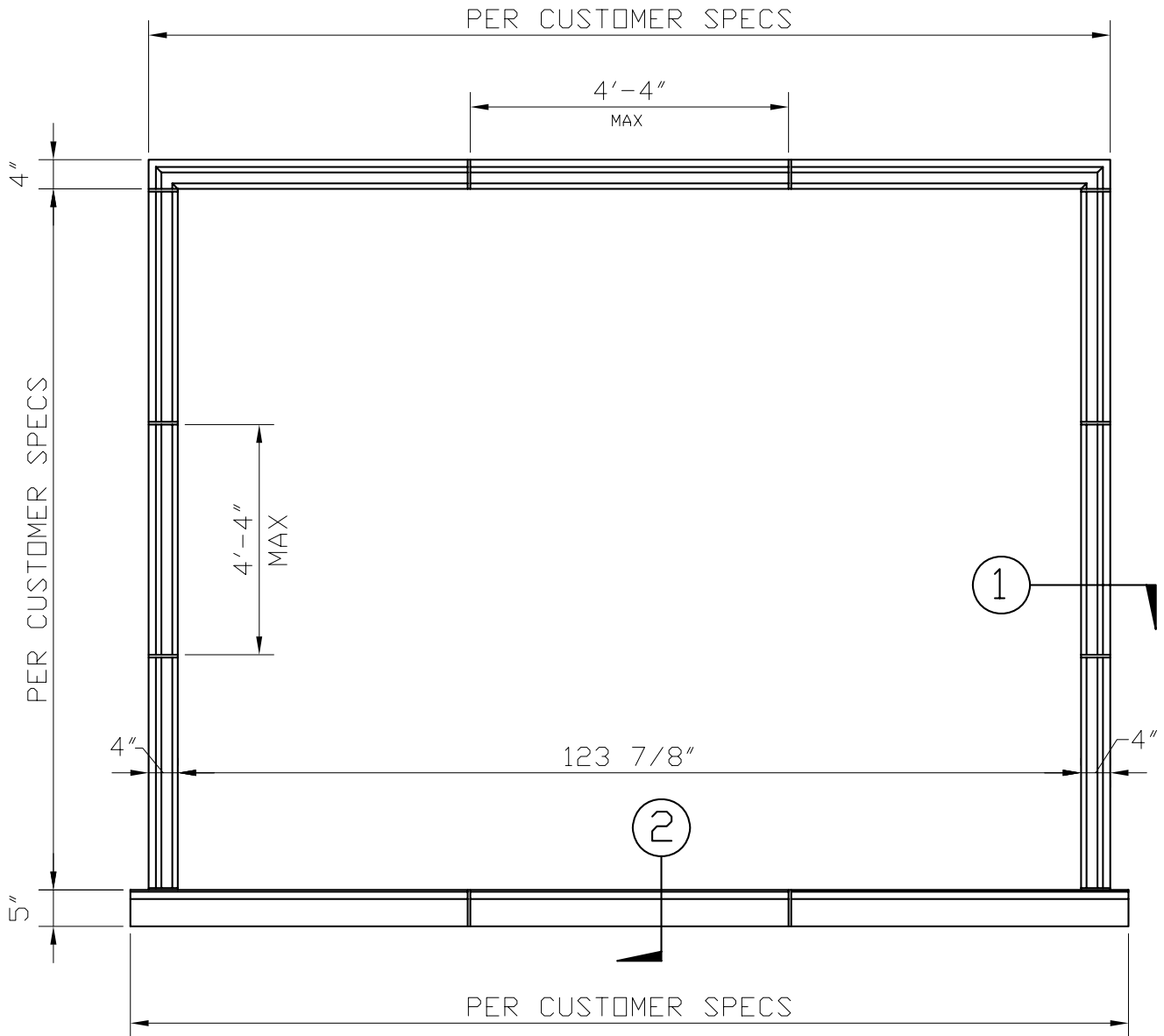
② SILL

ADJUSTMENTS IN JAMB AND HEAD PIECES CAN BE MADE TO FIT VARIOUS WINDOW OPENINGS.

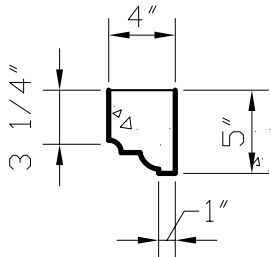


4280 WAYSIDE COURT LILBURN, GA. 30047. (770)921-9788. FAX 921-9910

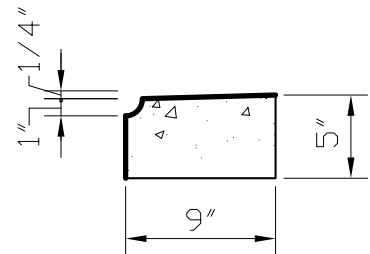
WINDOW SURROUND



S-340 B



1 JAMB & HEAD



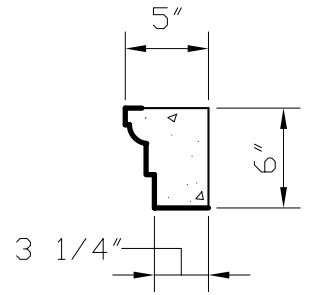
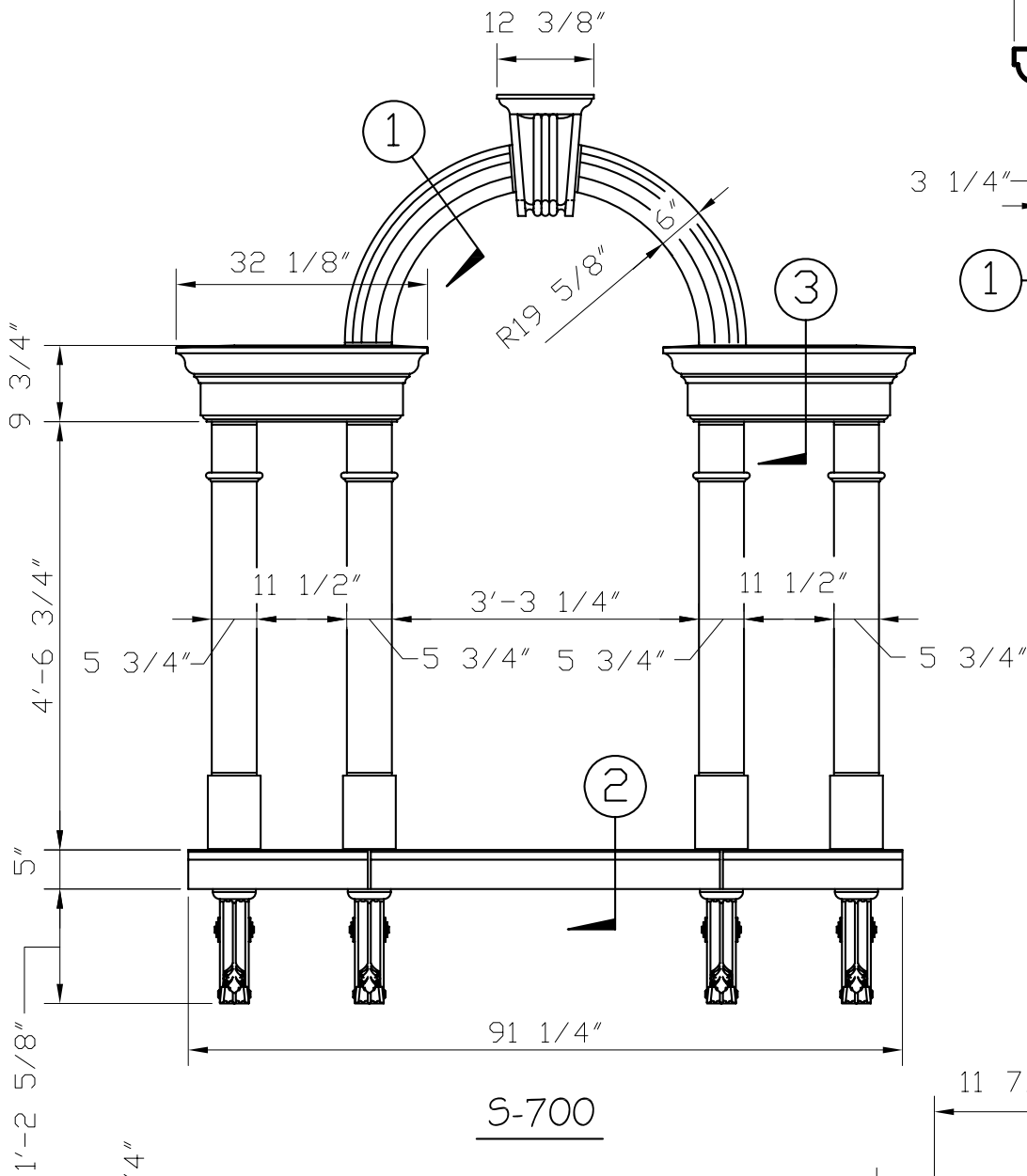
2 SILL



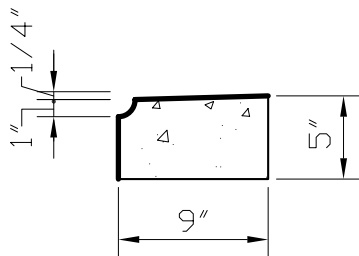
ADJUSTMENTS IN JAMB AND HEAD PIECES CAN
BE MADE TO FIT VARIOUS WINDOW OPENINGS.

4280 WAYSIDE COURT LILBURN, GA. 30047. (770)921-9788. FAX 921-9910

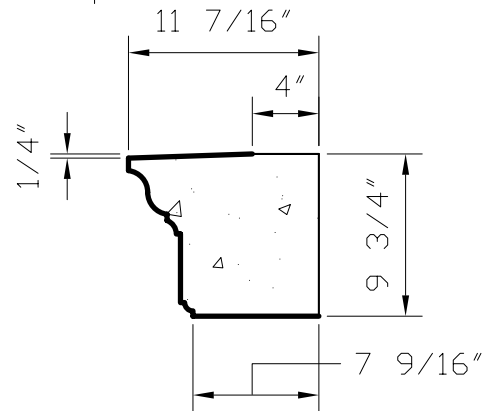
WINDOW SURROUND



① SURROUND



② SILL



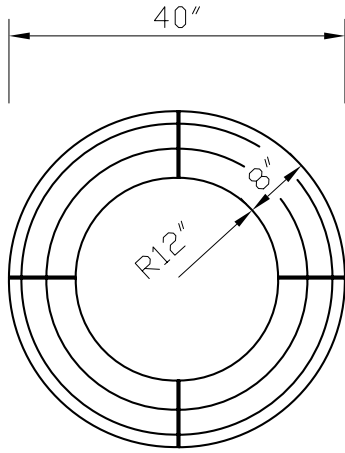
③ CORNICE

S-700

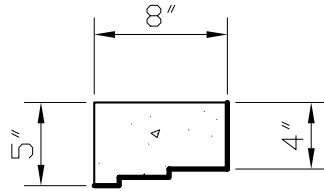


WINDOW SURROUND

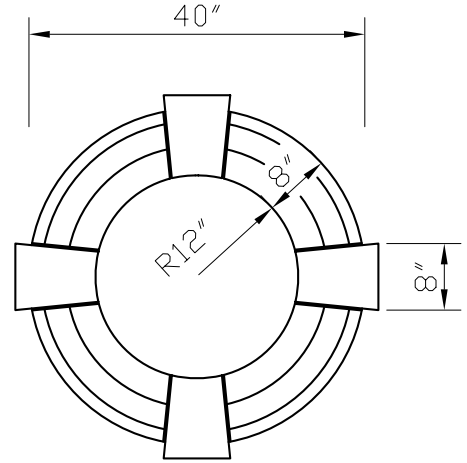
ROUND WINDOW SURROUND



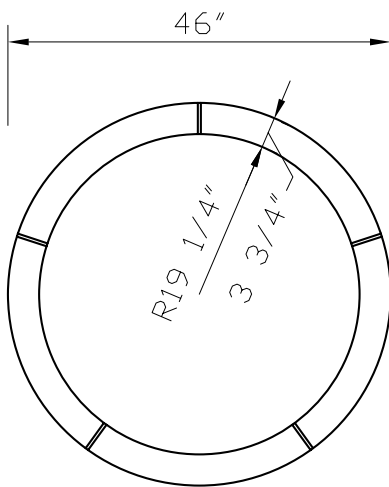
S-317



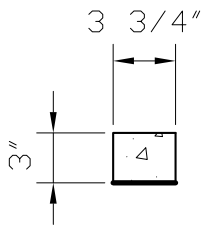
PROFILE



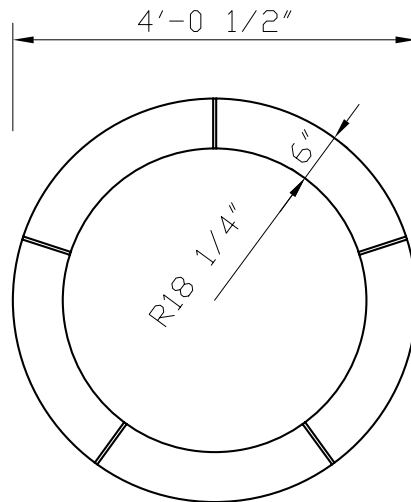
S-317-K



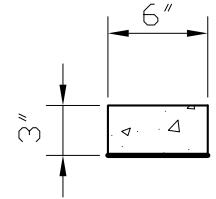
BE-202



PROFILE



BE-104

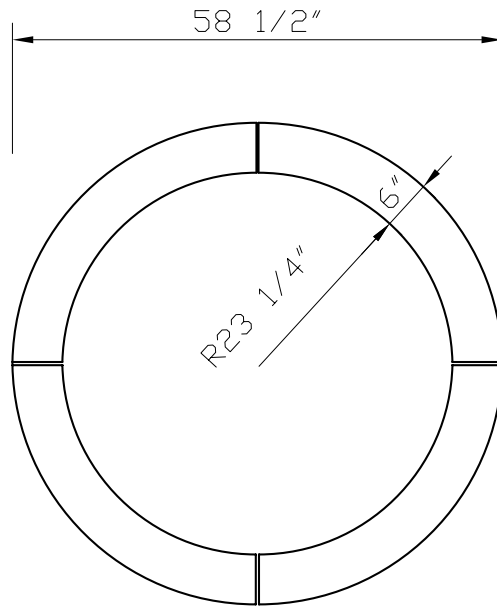


PROFILE

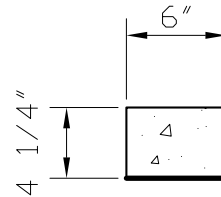


WINDOW SURROUND

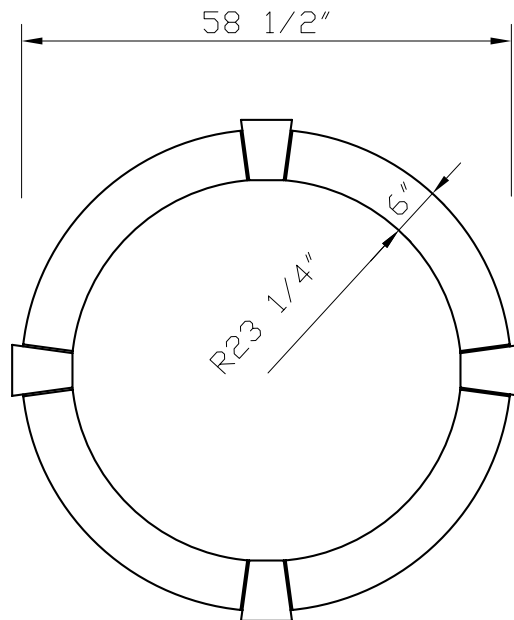
ROUND WINDOW SURROUND



BE-201



PROFILE

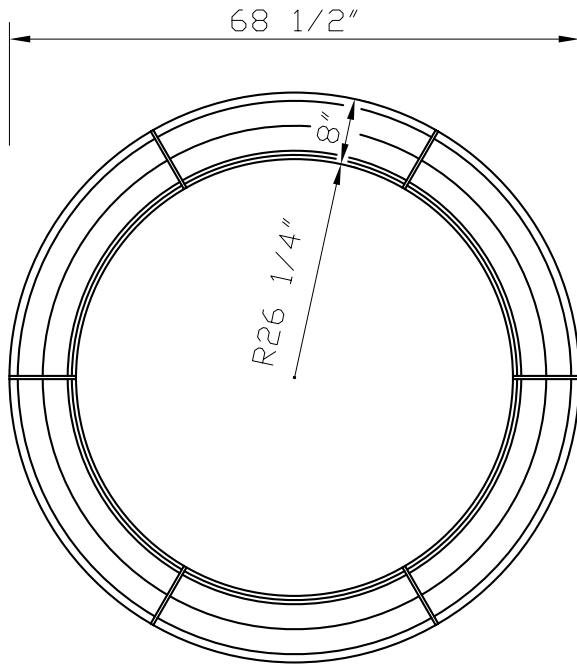


BE-201-K

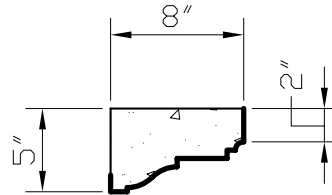


WINDOW SURROUND

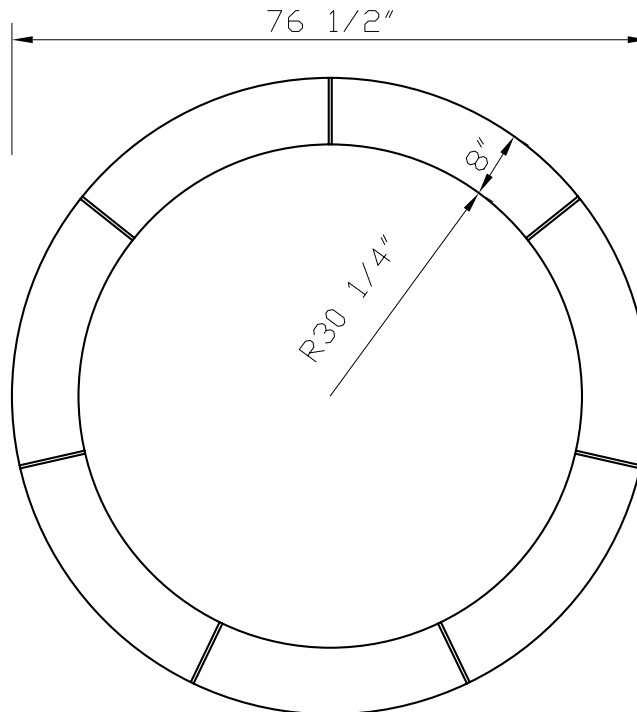
ROUND WINDOW SURROUND



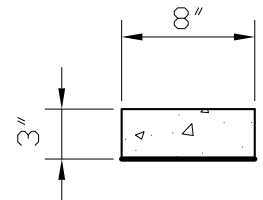
BE-101



PROFILE



BE-109

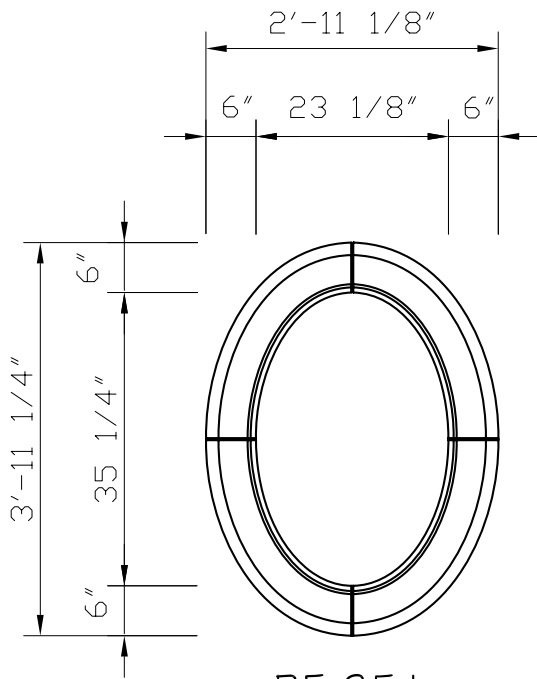


PROFILE

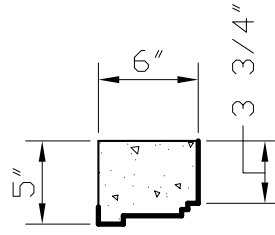


WINDOW SURROUND

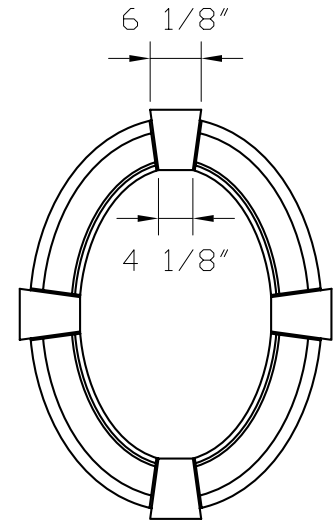
ELLIPTICAL WINDOW SURROUND



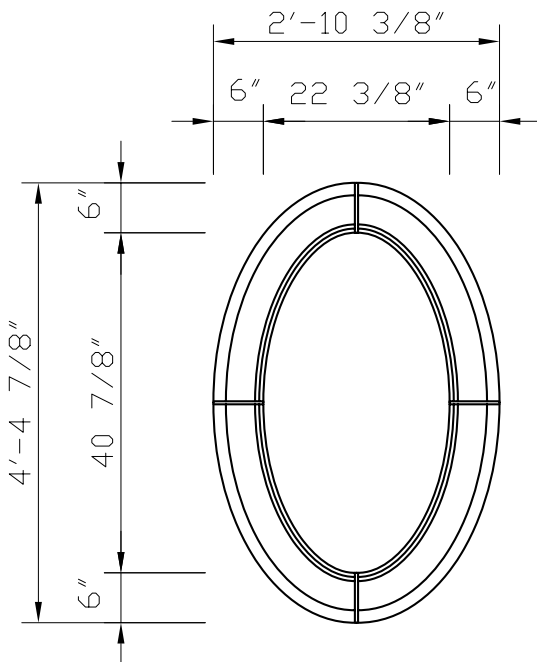
BE-351



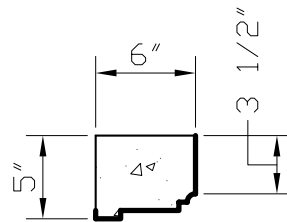
PROFILE



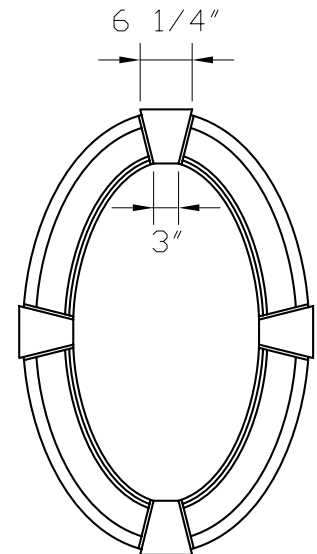
BE-351-K



BE-102



PROFILE

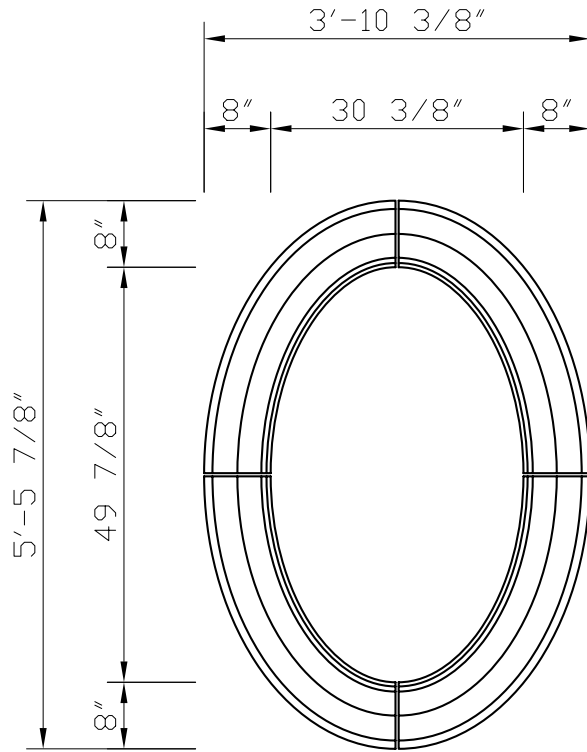


BE-102-K

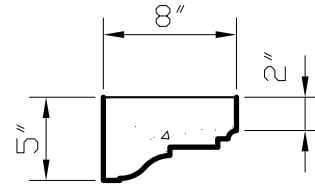


WINDOW SURROUND

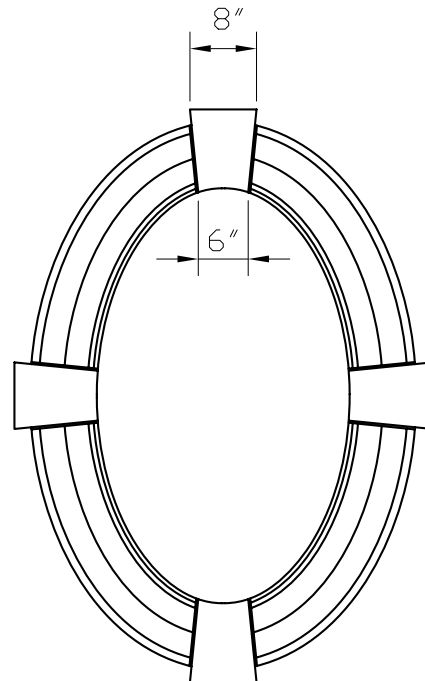
ELLIPTICAL WINDOW SURROUND



BE-110



PROFILE

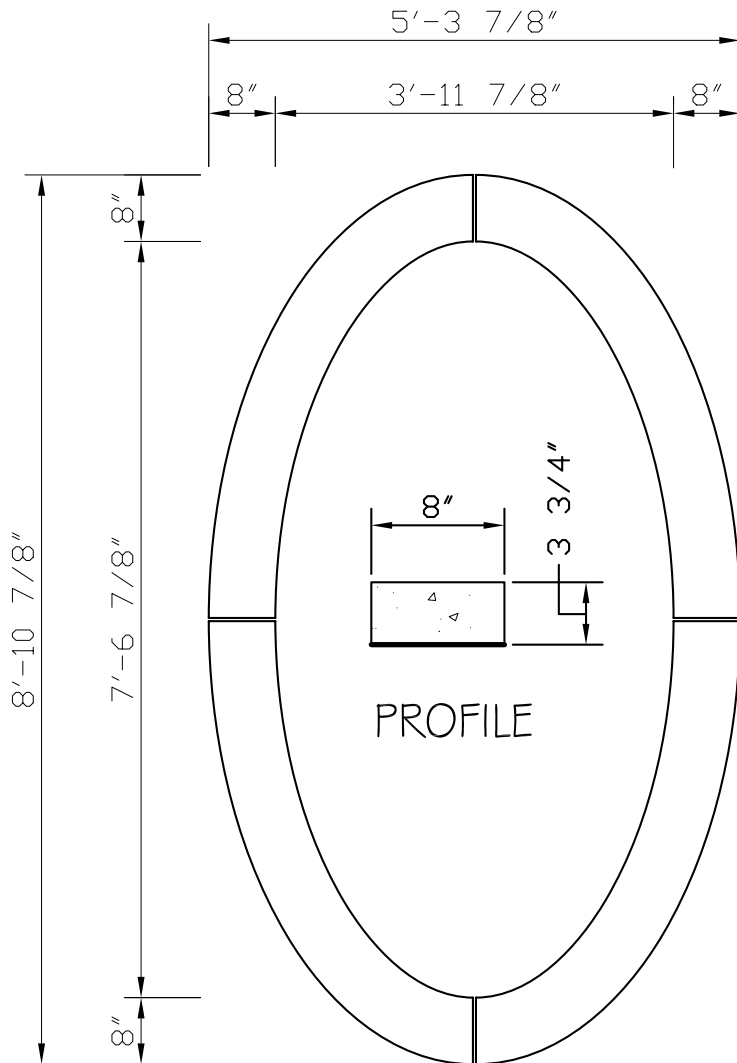


BE-110-K



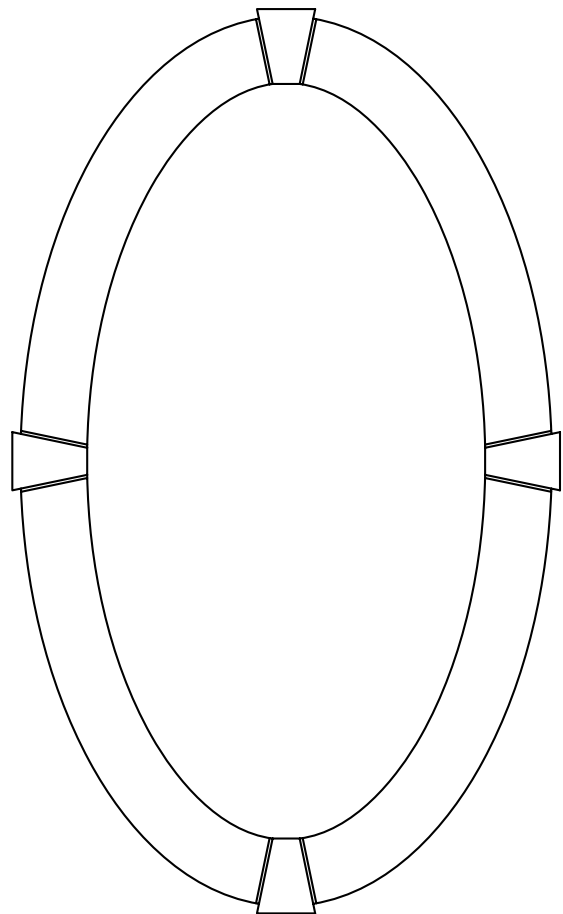
WINDOW SURROUND

ELLIPTICAL WINDOW SURROUND



PROFILE

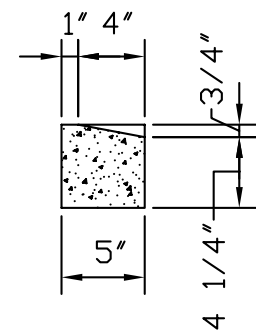
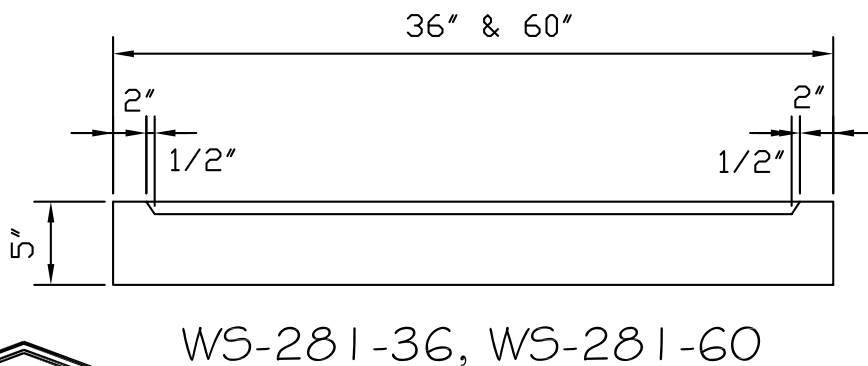
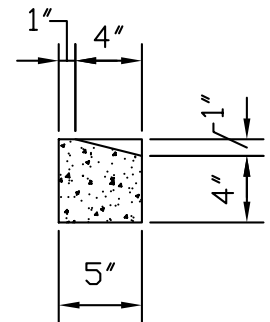
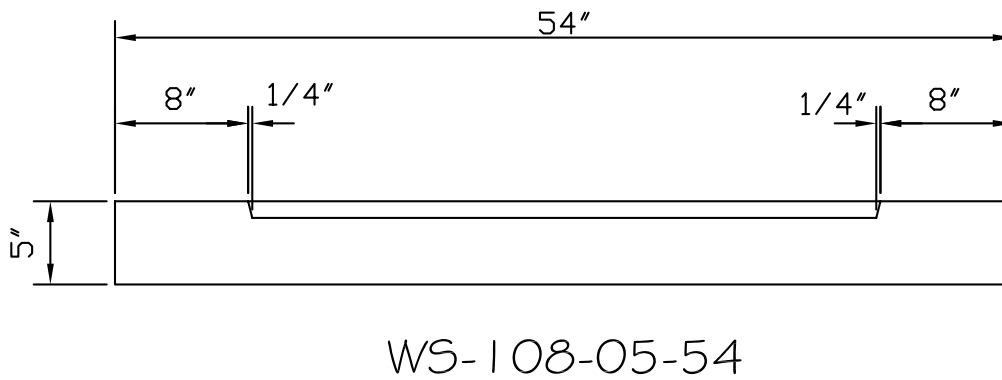
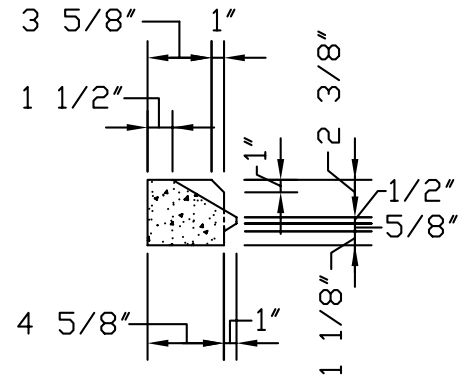
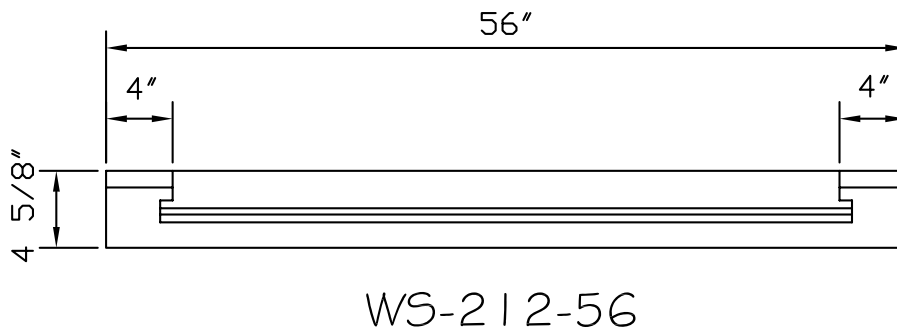
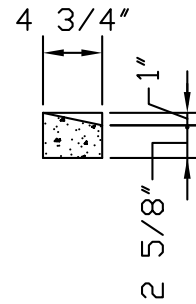
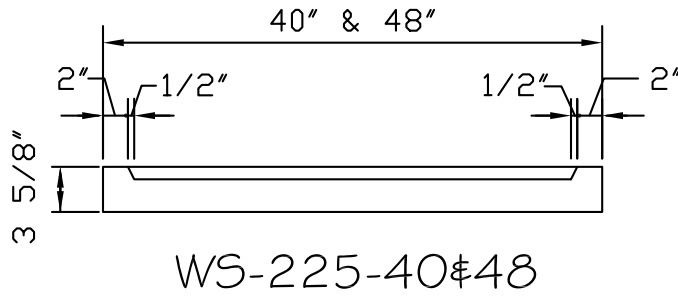
AE-101



AE-101-K

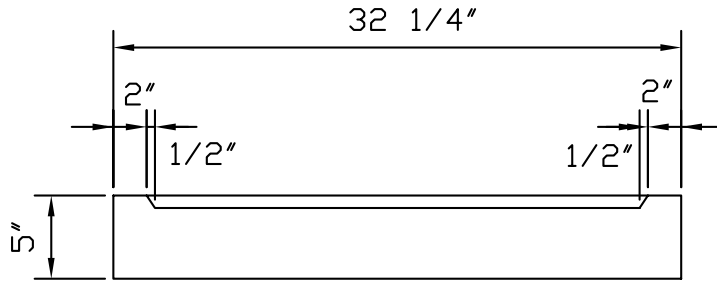


LUGGED WINDOW SILLS

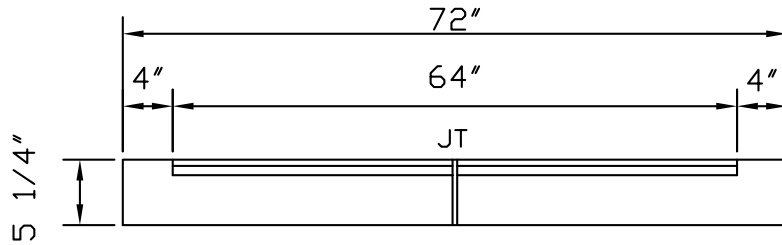
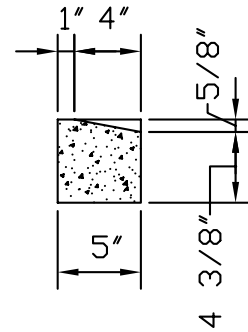


4280 WAYSIDE COURT LILBURN, GA. 30047. (770)921-9788. FAX 921-9910

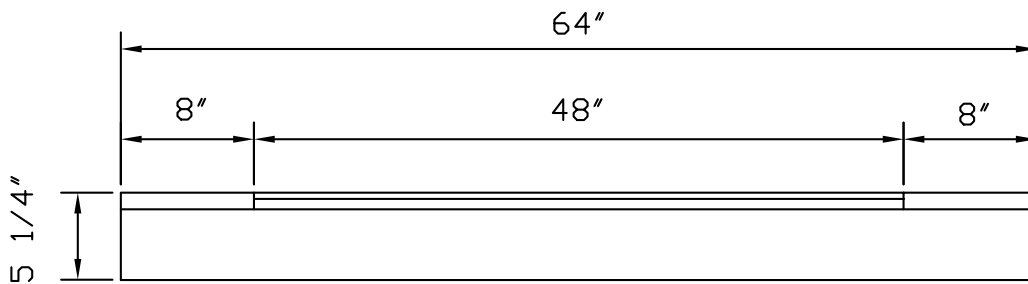
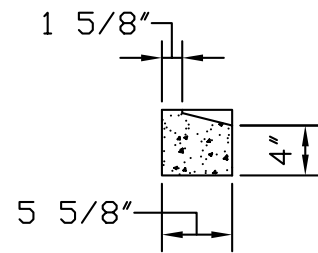
LUGGED WINDOW SILLS



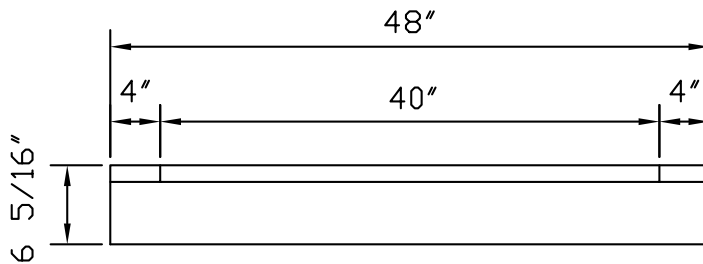
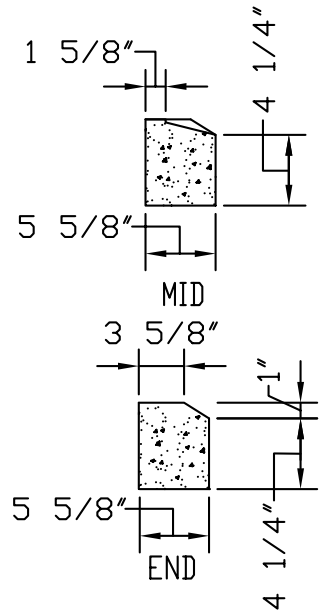
WS-280



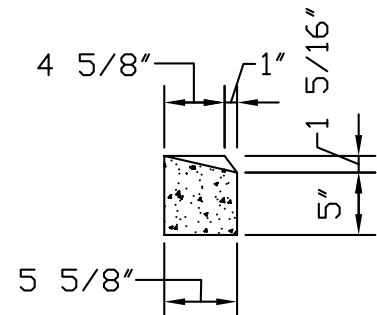
WS-102



WS-203



WS-255



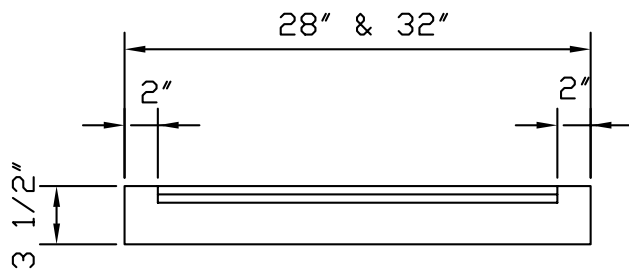
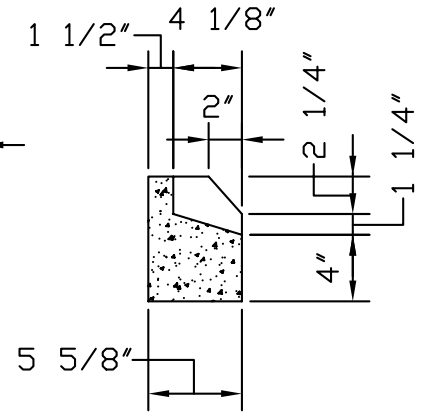
OLDE WORLD
CAST STONE

4280 WAYSIDE COURT LILBURN, GA. 30047. (770)921-9788. FAX 921-9910

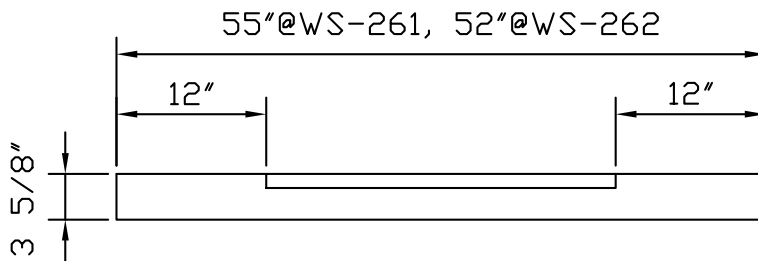
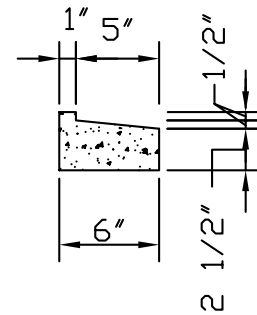
LUGGED WINDOW SILLS



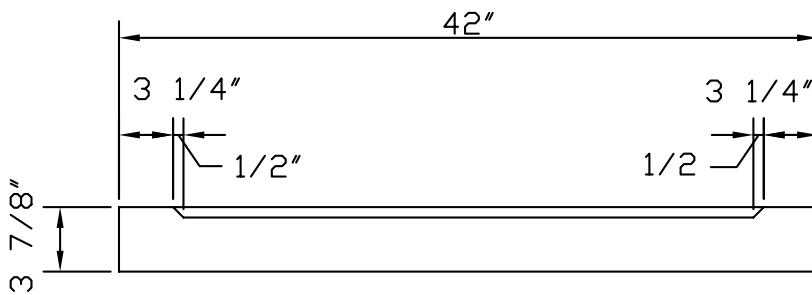
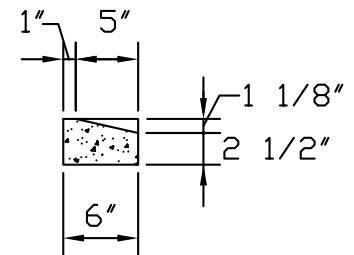
WS-138-5.57.5-48



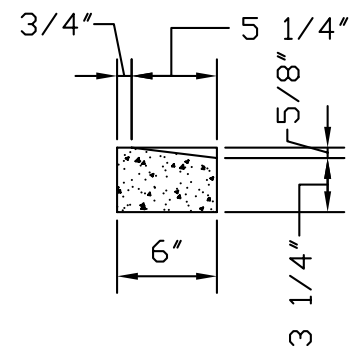
WS-267
(28" AND 32")



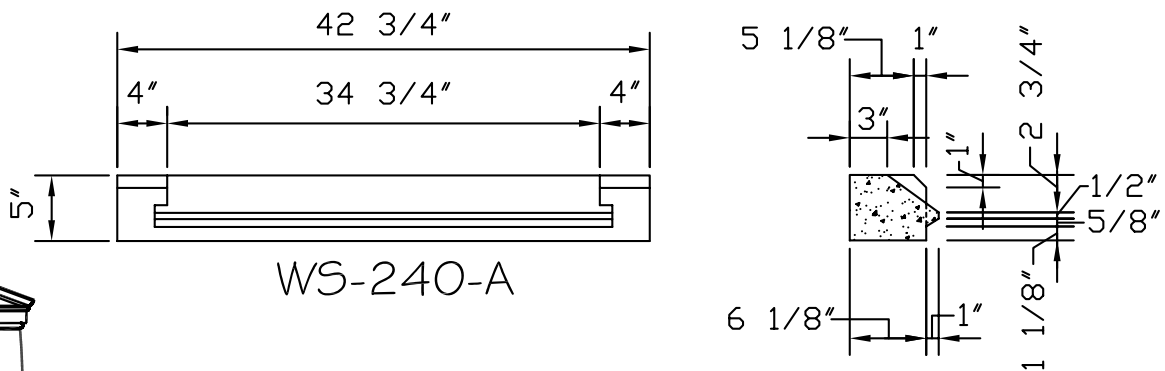
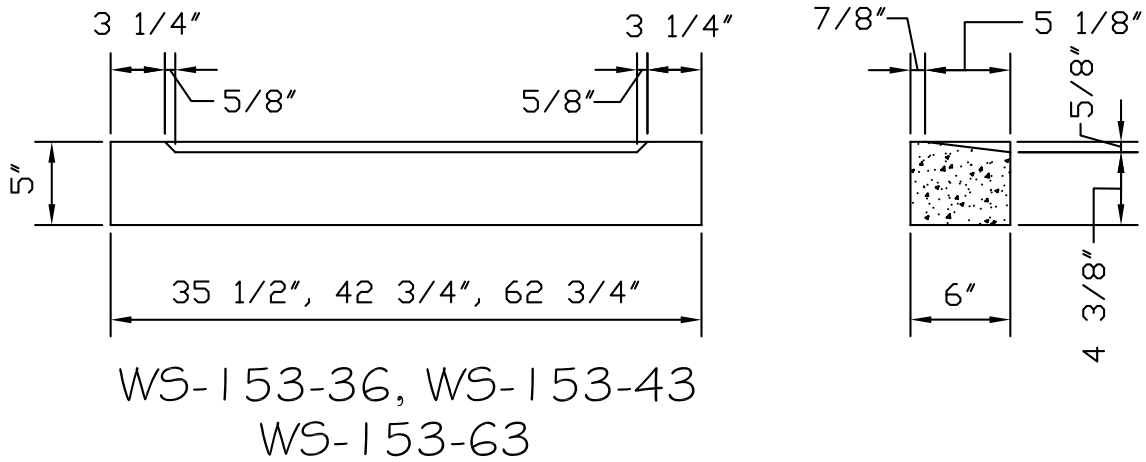
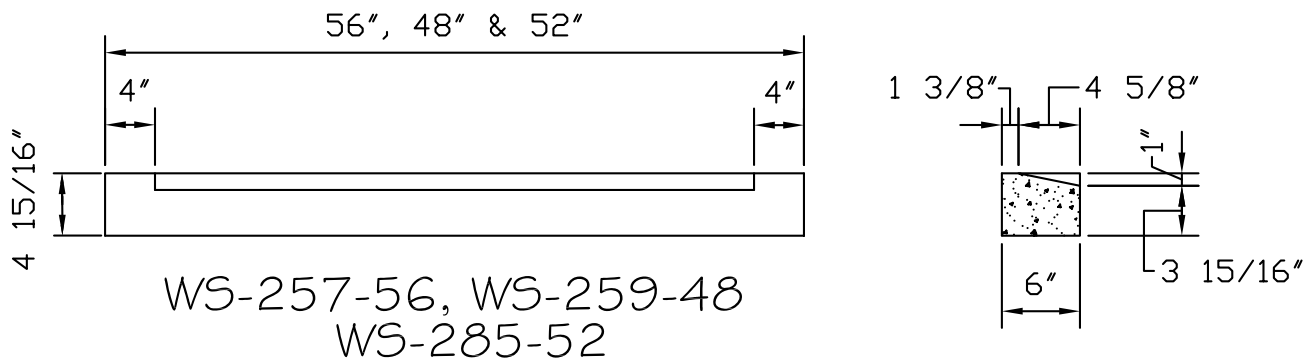
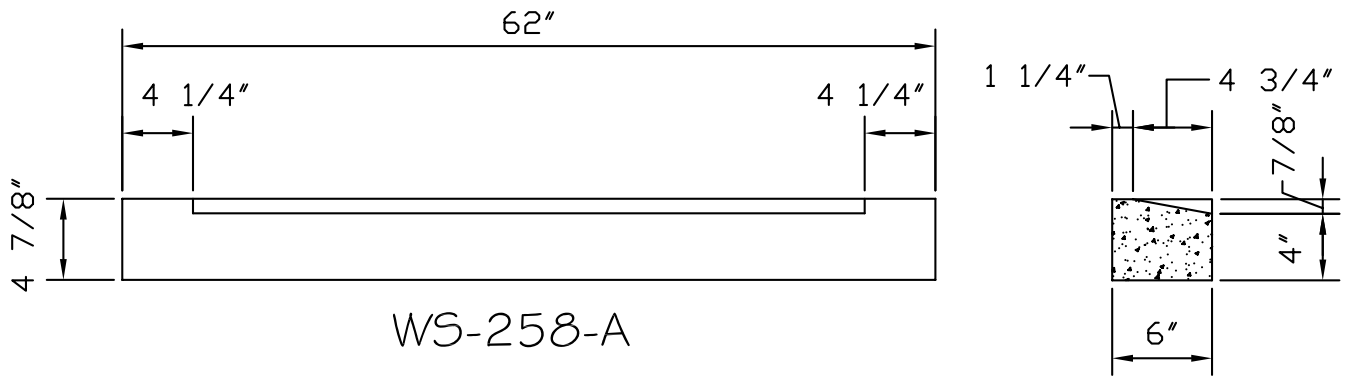
WS-261, WS-262



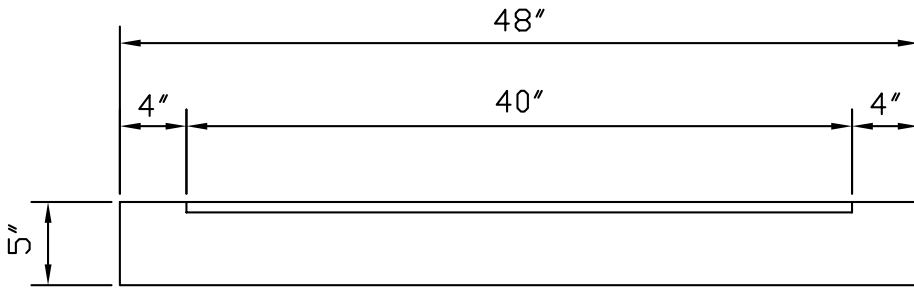
WS-153-42



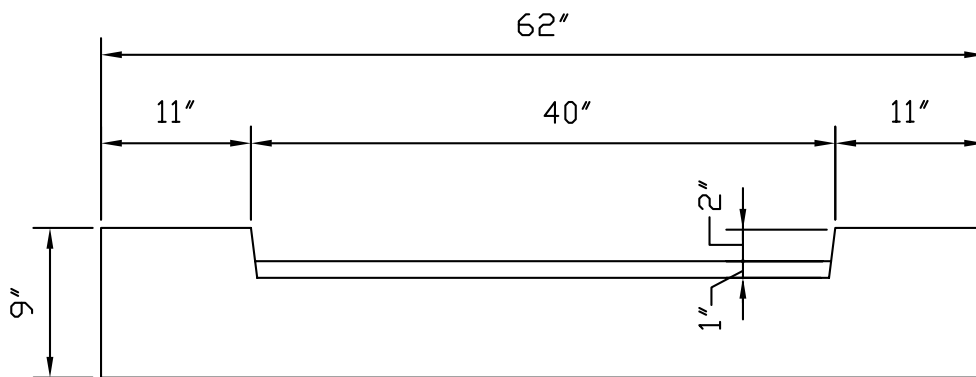
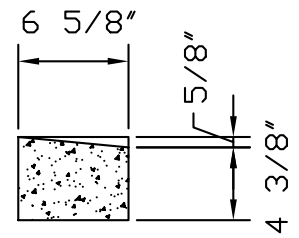
LUGGED WINDOW SILLS



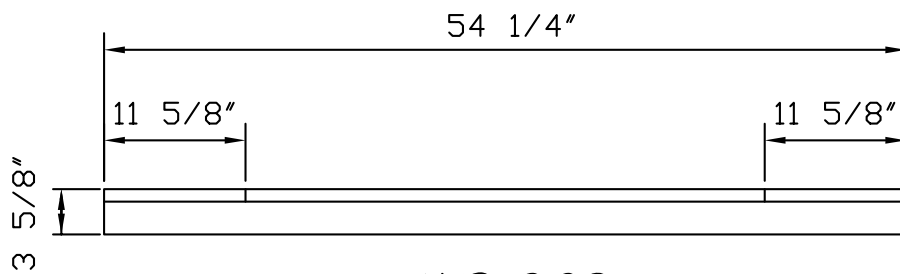
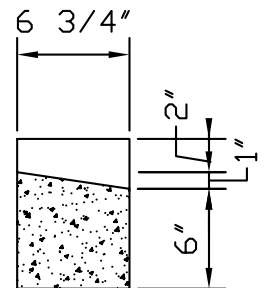
LUGGED WINDOW SILLS



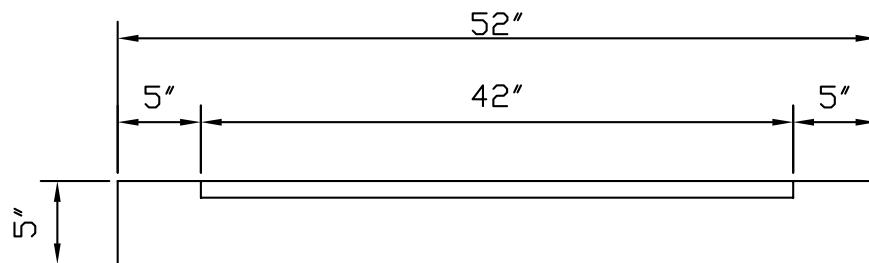
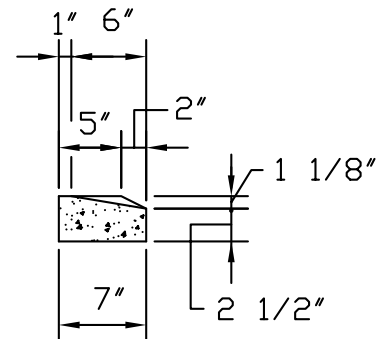
WS-173



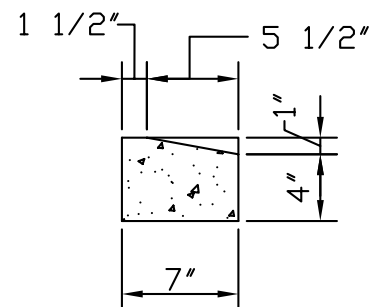
WS-02-294



WS-263



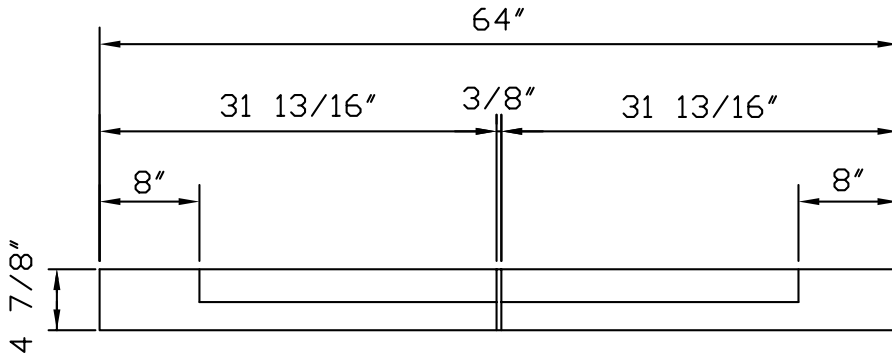
WS-188



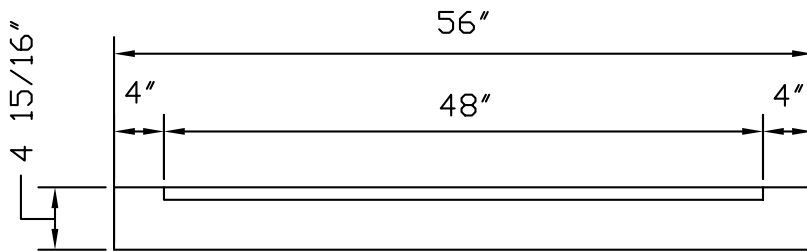
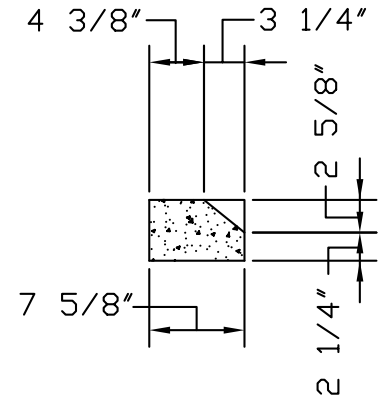
OLDE WORLD
CAST STONE

4280 WAYSIDE COURT LILBURN, GA. 30047. (770)921-9788. FAX 921-9910

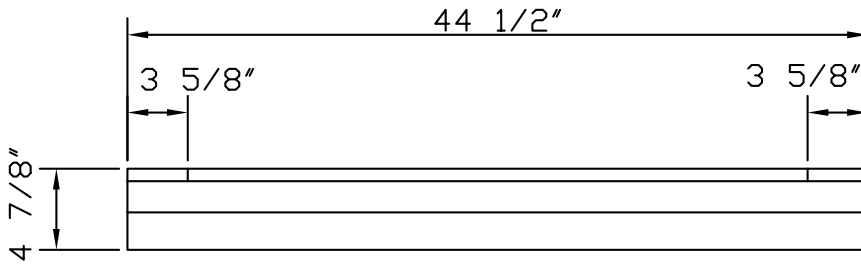
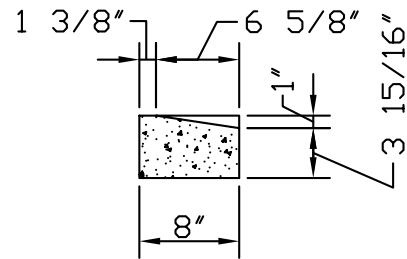
LUGGED WINDOW SILLS



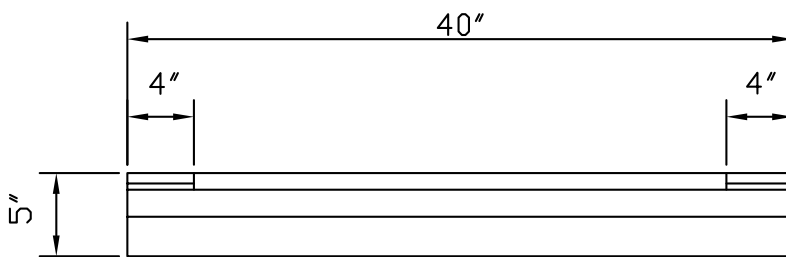
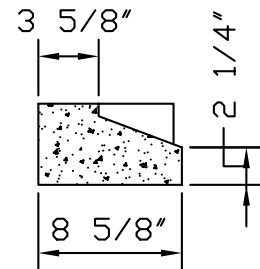
WS-640



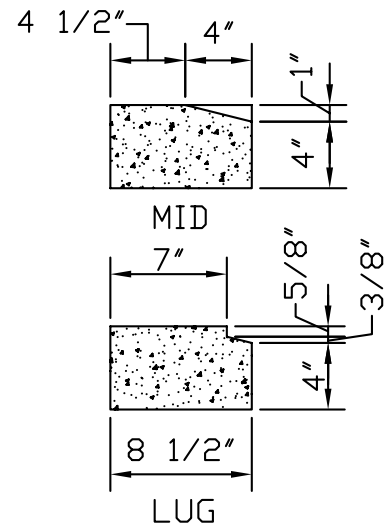
WS-260



WT-269



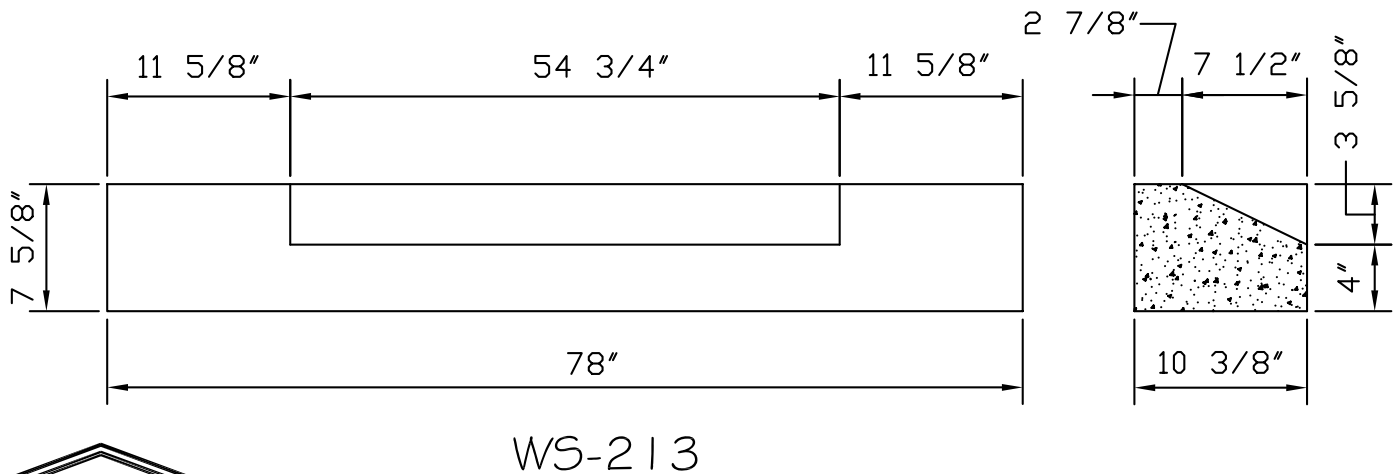
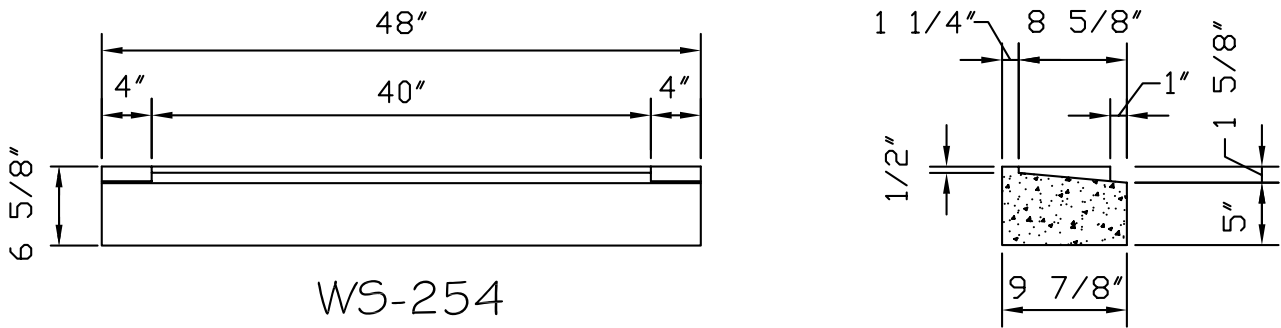
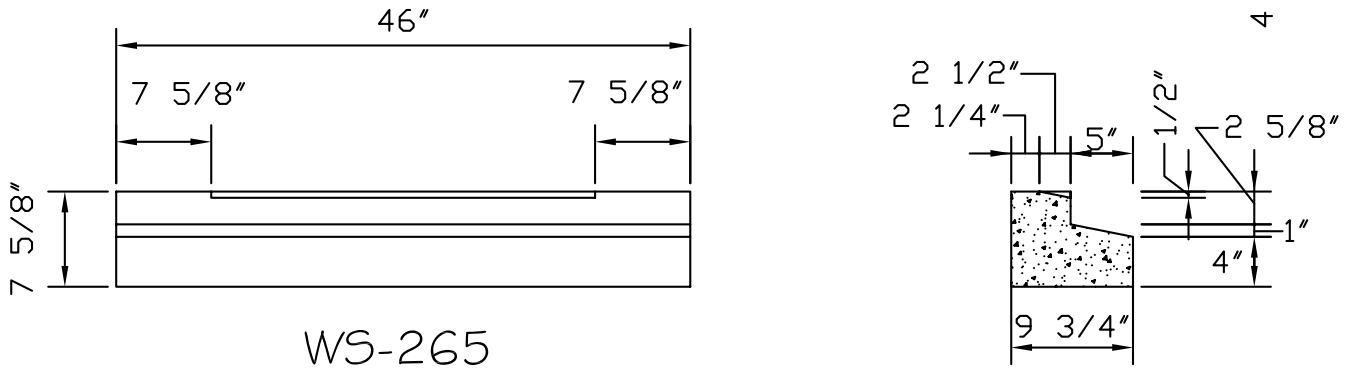
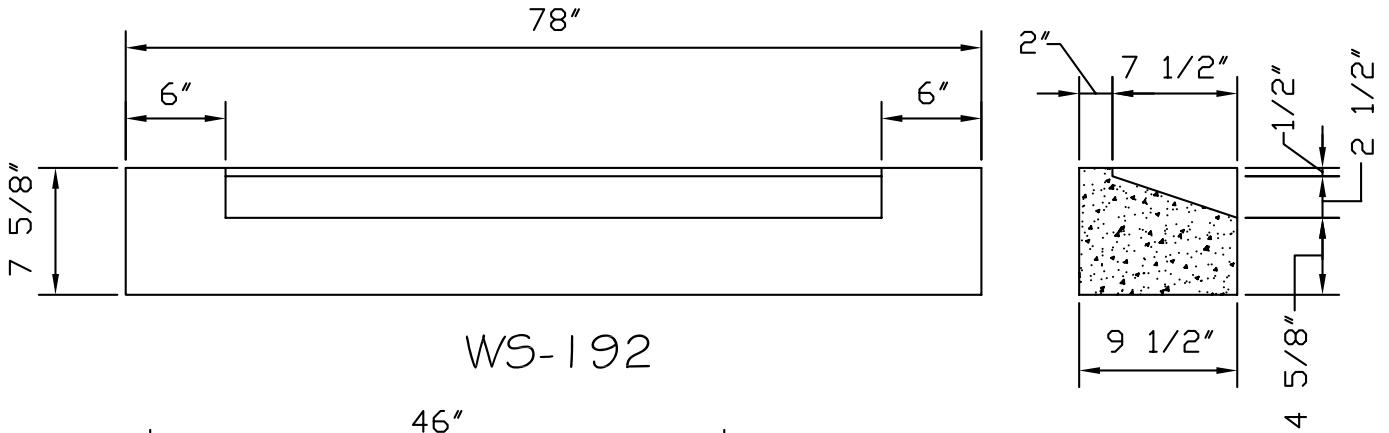
WS-726



OLDE WORLD
CAST STONE

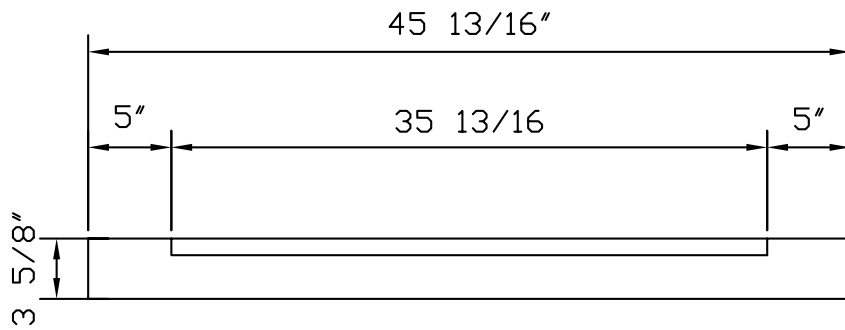
4280 WAYSIDE COURT LILBURN, GA. 30047. (770)921-9788. FAX 921-9910

LUGGED WINDOW SILLS

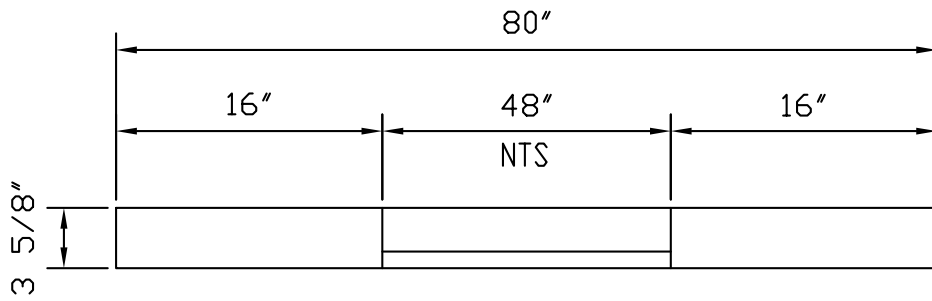
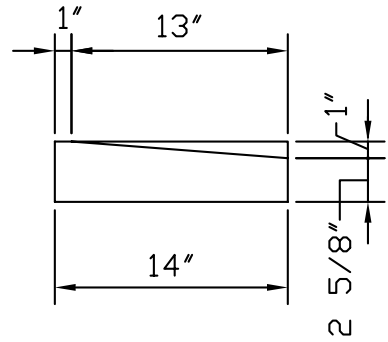


4280 WAYSIDE COURT LILBURN, GA. 30047. (770)921-9788. FAX 921-9910

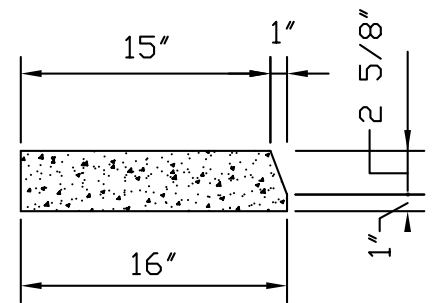
LUGGED WINDOW SILLS



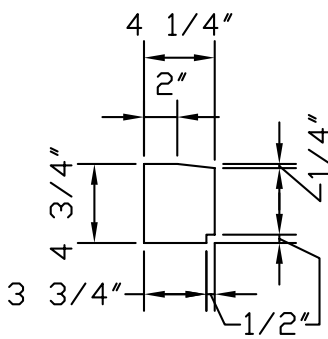
WS-266



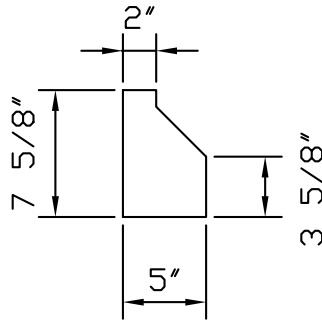
WS-193



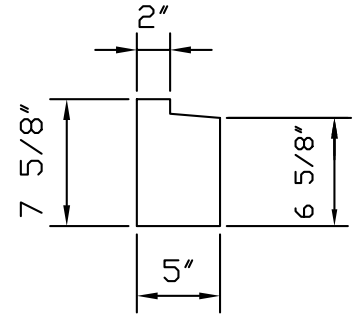
MISC WINDOW SILLS



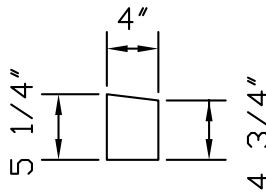
WS-147-4.25x4.75-64
64"



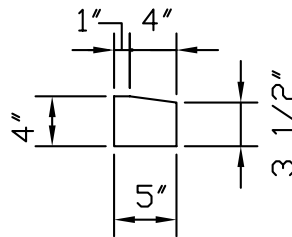
WS-631
39 1/4"



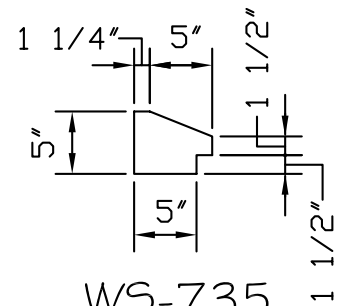
WS-196
47 7/8"



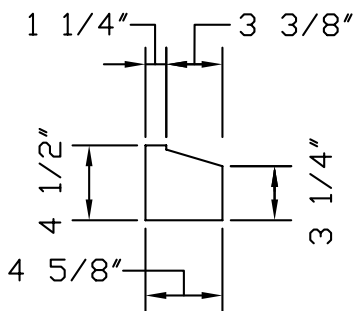
WS-101
48"



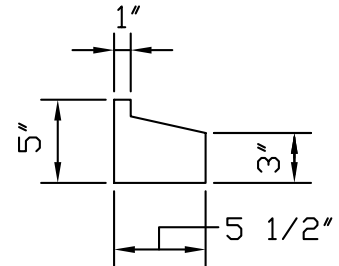
WS-737
47"



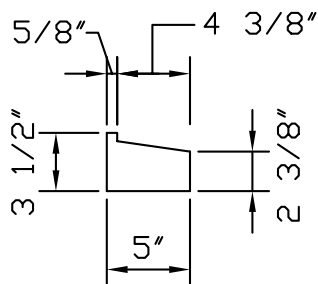
WS-735
48"



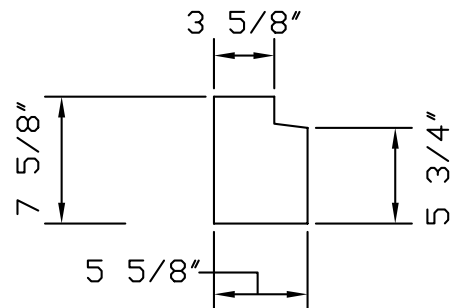
WS-152-4.625x4.5-35.75
35 3/4"



WS-167
56"



WS-110-3.5x5
52"



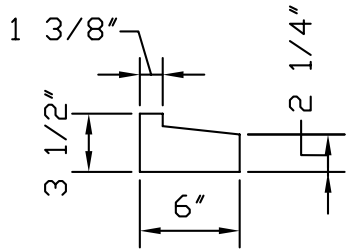
WS-716
30"



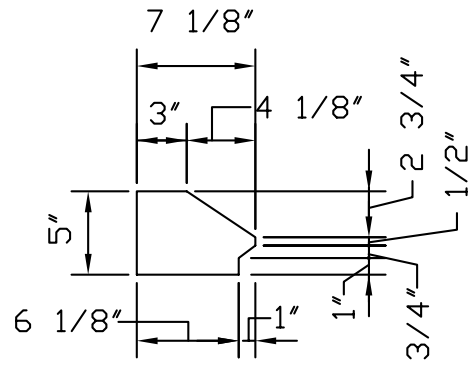
OLDE WORLD
CAST STONE

4280 WAYSIDE COURT LILBURN, GA. 30047. (770)921-9788. FAX 921-9910

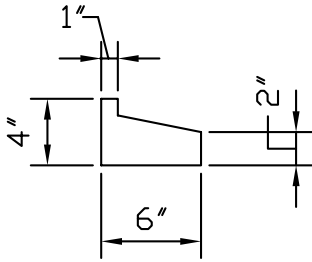
MISC WINDOW SILLS



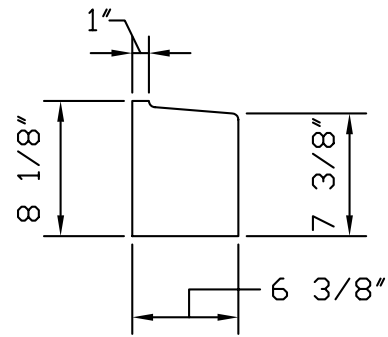
WS-136-3.506-42
42"



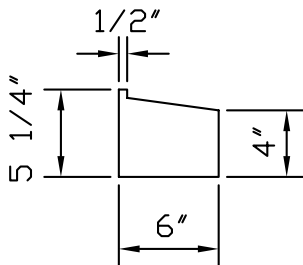
WS-240
48 3/4"



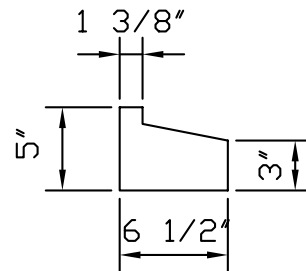
WS-02-290
31 1/4"



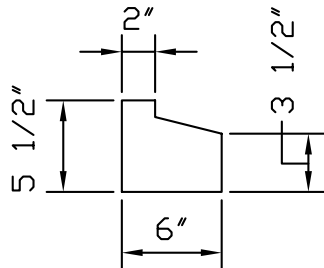
WS-187
48"



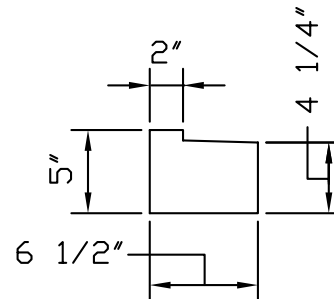
WS-284
55"



WS-314-IC
(48" IS RTN)



WT-301-B
55 3/4"



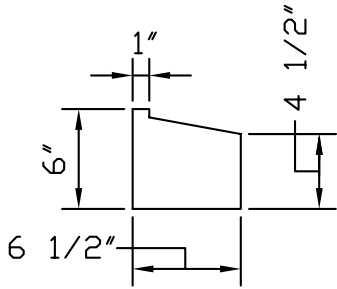
WS-142-6
42"



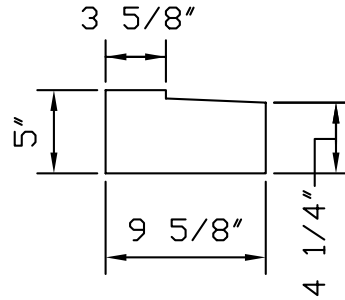
OLDE WORLD
CAST STONE

4280 WAYSIDE COURT LILBURN, GA. 30047. (770)921-9788. FAX 921-9910

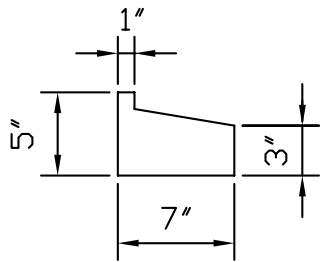
MISC WINDOW SILLS



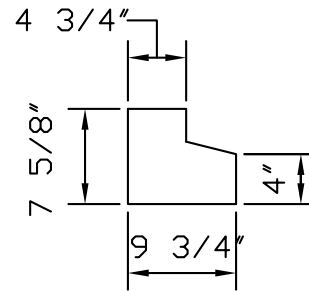
WS-211
66"



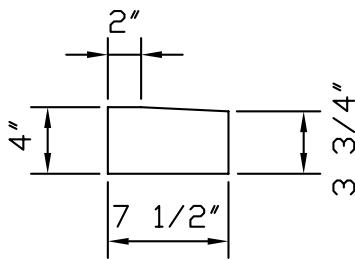
WS-142-10
48"



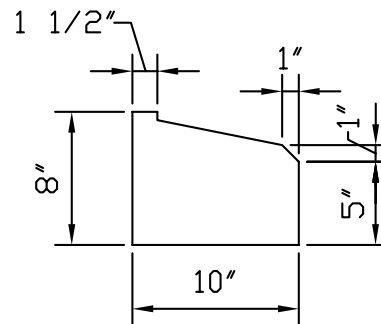
WS-166
42"



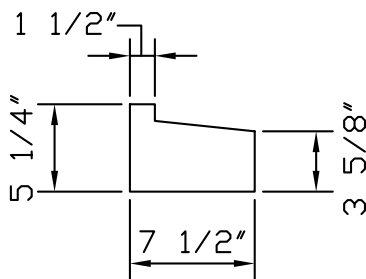
WS-264B
40 1/4"



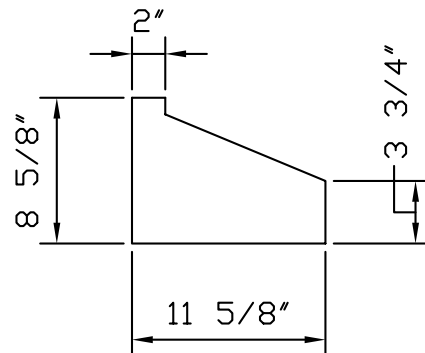
WS-730
42"



WS-206
48"



WS-247
48"



C-515

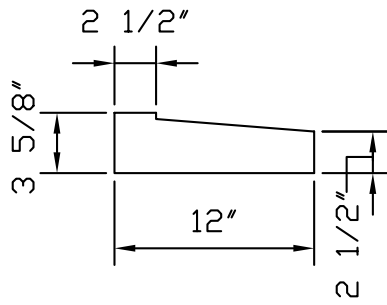
(1 @ 36" 1 @ 47 5/8" 1 @ 48")



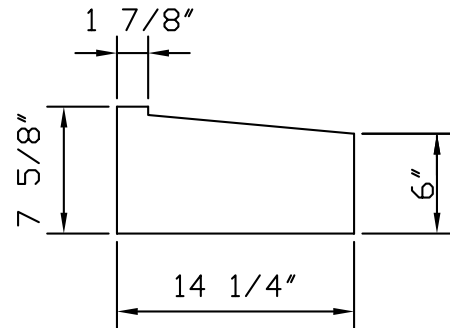
OLDE WORLD
CAST STONE

4280 WAYSIDE COURT LILBURN, GA. 30047. (770)921-9788. FAX 921-9910

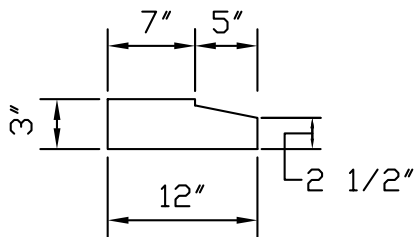
MISC WINDOW SILLS



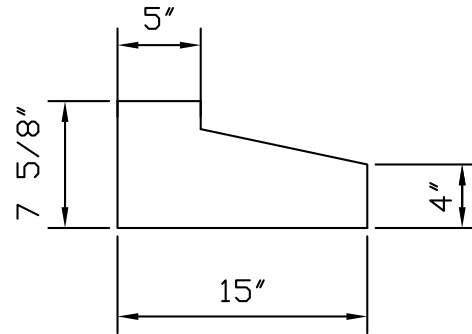
WS-315
57 5/8"



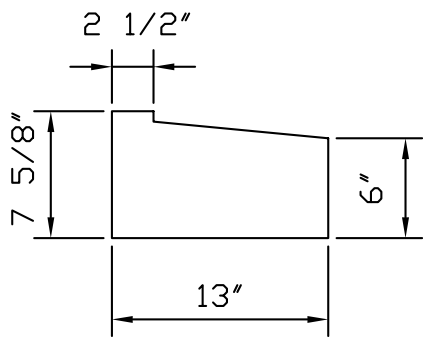
WS-165
(DS CRNR)
48"



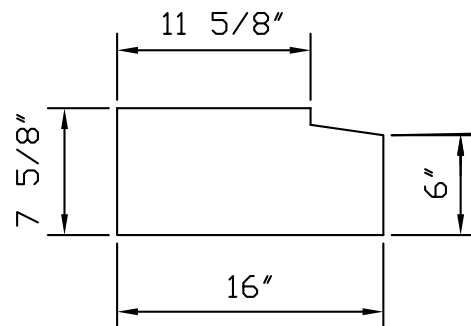
WS-131-0412
23 1/2"



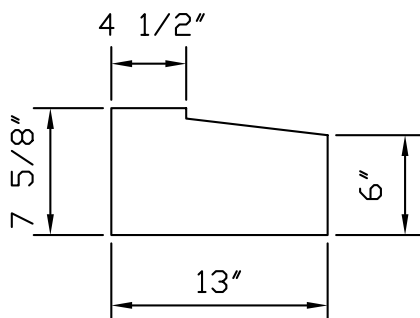
WS-712
42"



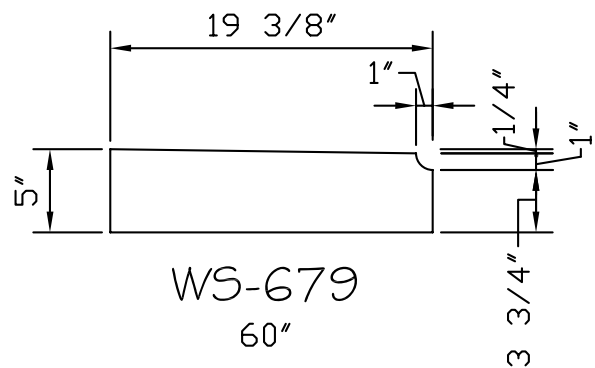
WS-319
(DS RTN)
70"



WS-286
48"



BN-684
44 1/2"

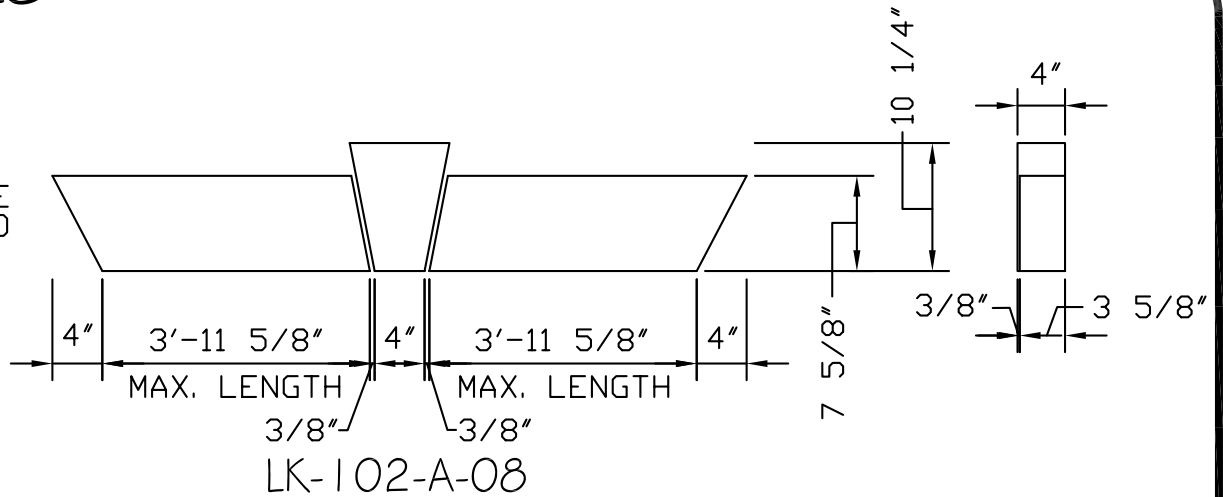


WS-679
60"

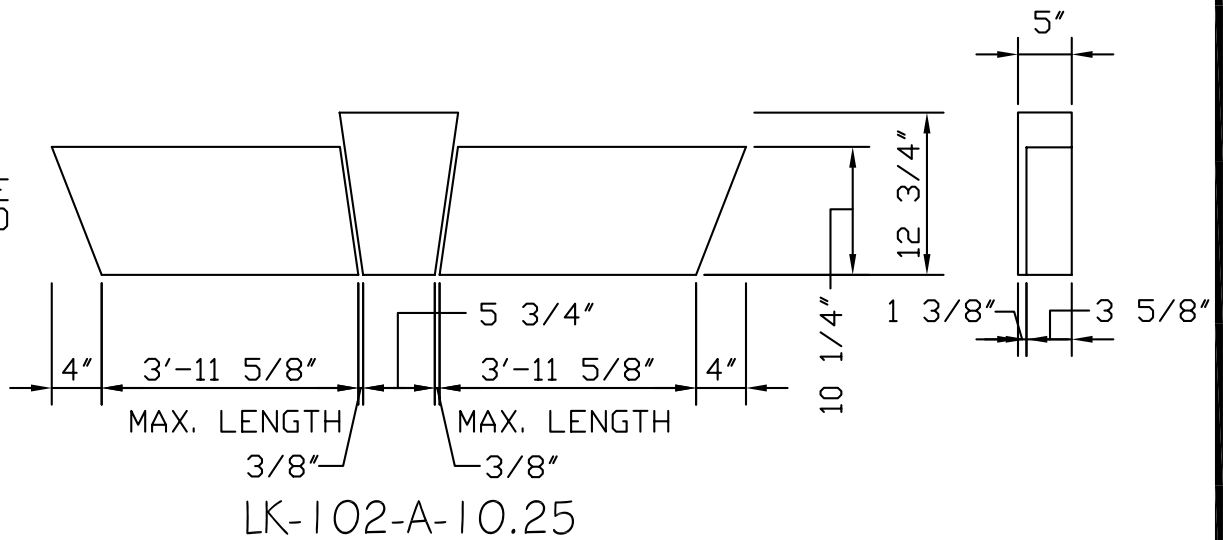


LINTELS

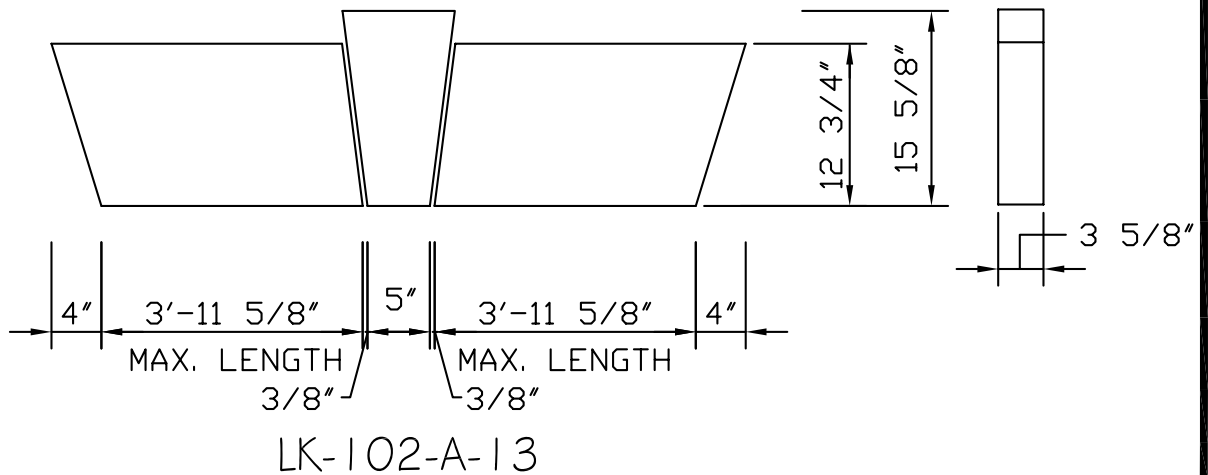
3 COURSE
STANDARD
BRICK



4 COURSE
STANDARD
BRICK

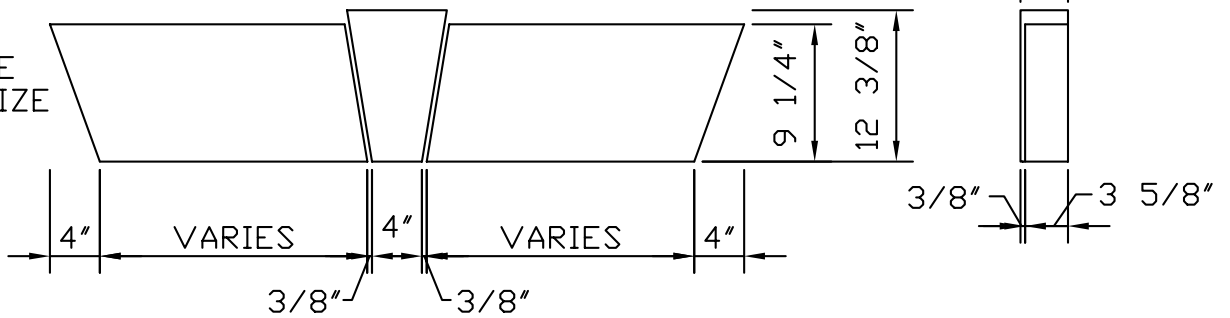


5 COURSE
STANDARD
BRICK



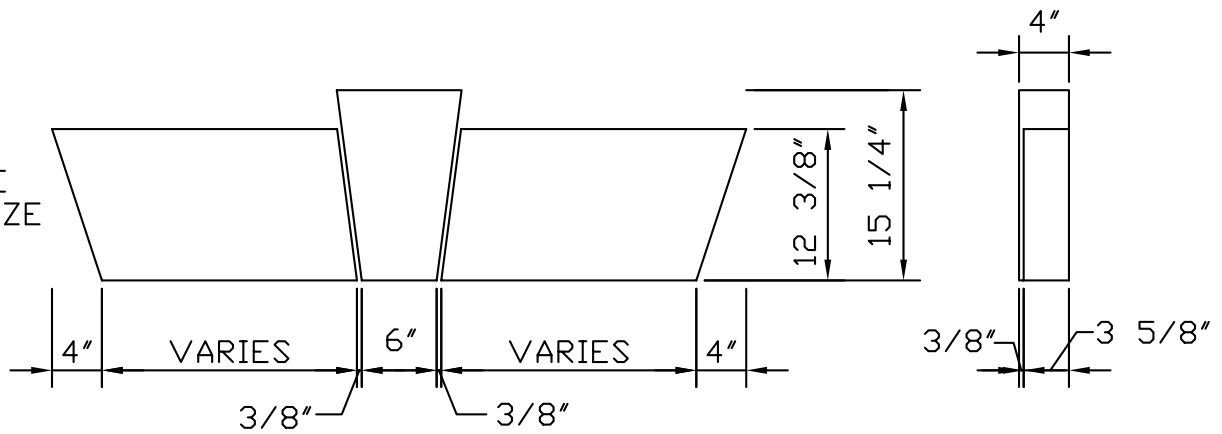
LINTELS

3 COURSE
QUEEN SIZE
BRICK

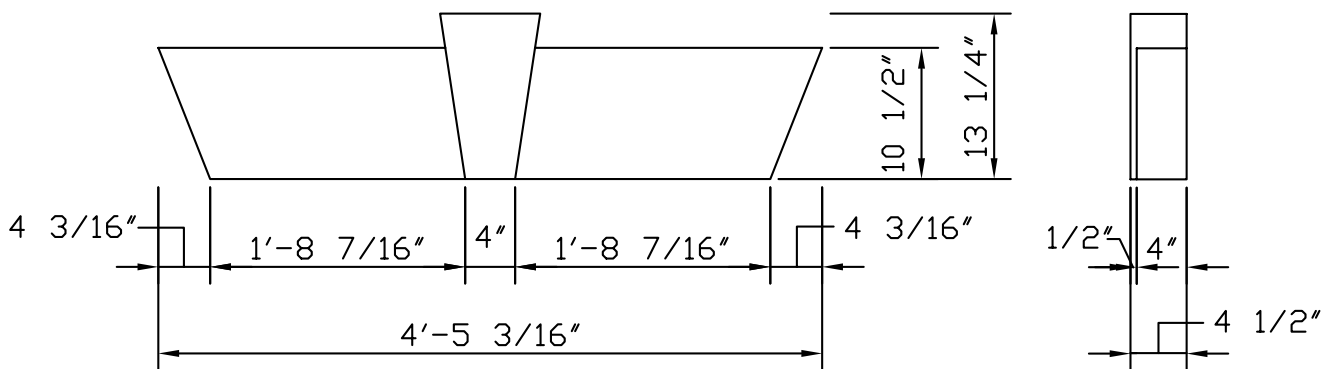


LK-102-A-09

4 COURSE
QUEEN SIZE
BRICK



LK-102-A-12.08



L-121

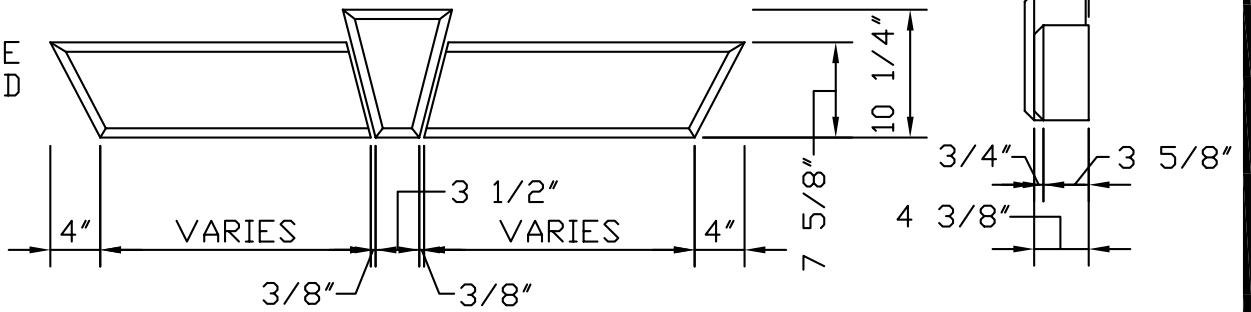


OLDE WORLD
CAST STONE

4280 WAYSIDE COURT LILBURN, GA. 30047. (770)921-9788. FAX 921-9910

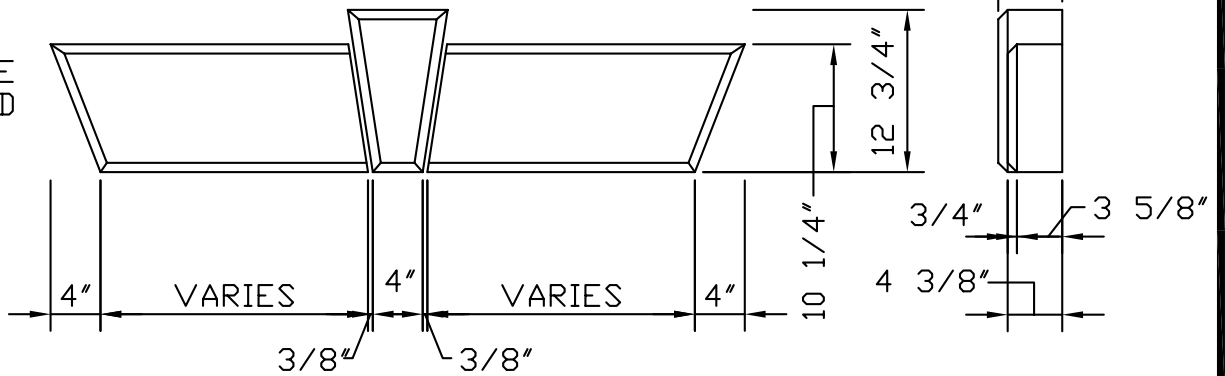
LINTELS

3 COURSE
STANDARD
BRICK



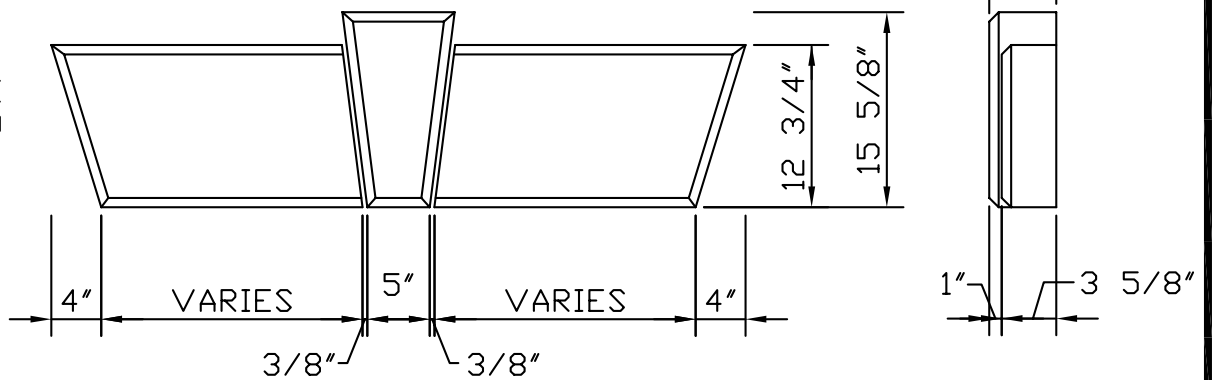
LK-103-C-7.625

4 COURSE
STANDARD
BRICK



LK-103-C-10.25

5 COURSE
STANDARD
BRICK



LK-103-C-13

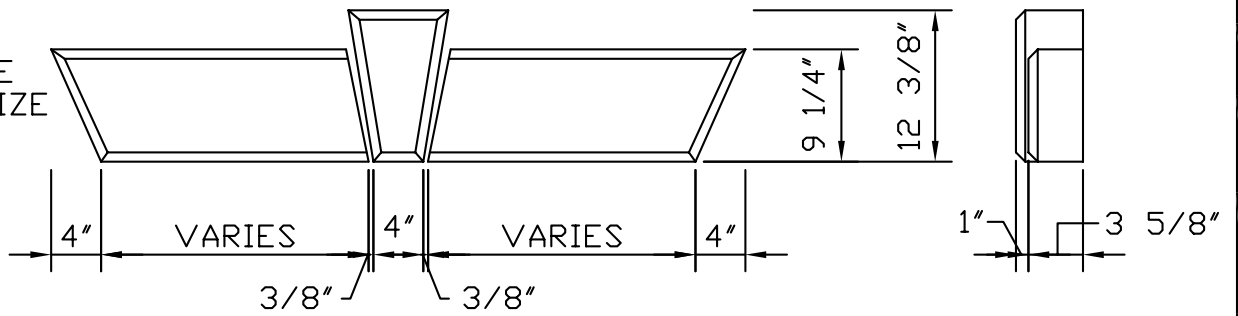


OLDE WORLD
CAST STONE

4280 WAYSIDE COURT LILBURN, GA. 30047. (770)921-9788. FAX 921-9910

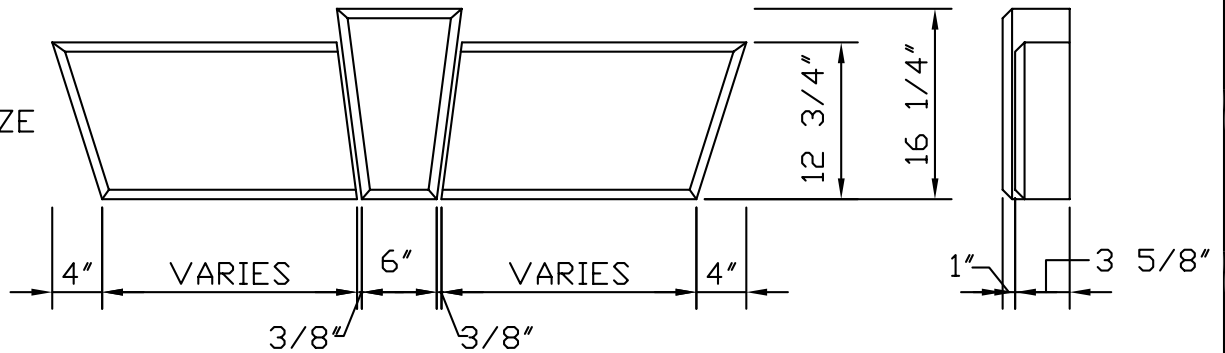
LINTELS

3 COURSE
QUEEN SIZE
BRICK

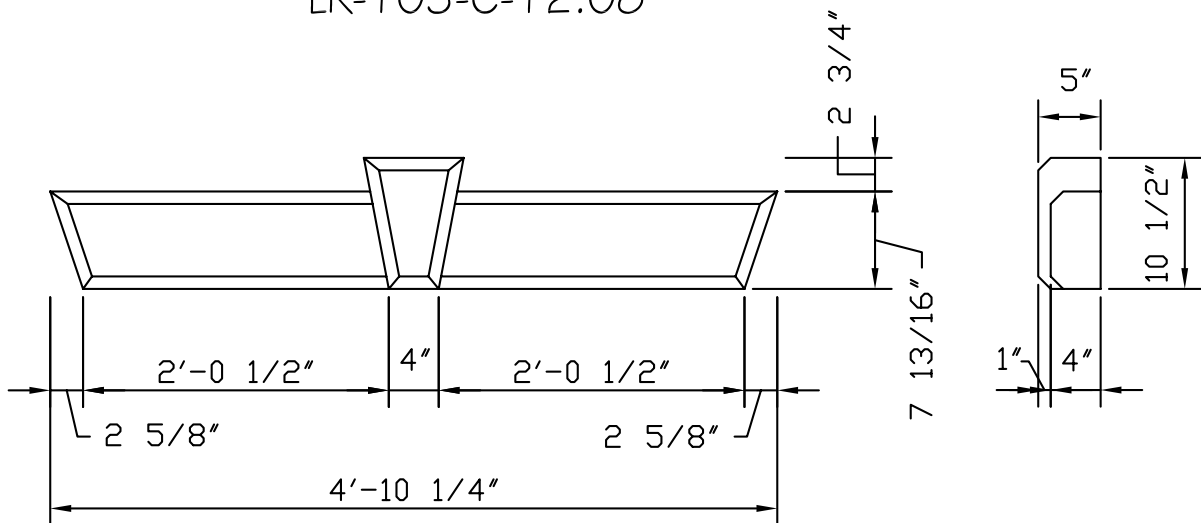


LK-103-C-09

4 COURSE
QUEEN SIZE
BRICK



LK-103-C-12.08



LK-101-1035

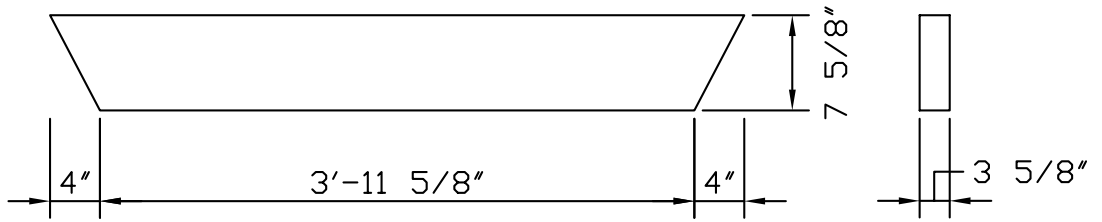


OLDE WORLD
CAST STONE

4280 WAYSIDE COURT LILBURN, GA. 30047. (770)921-9788. FAX 921-9910

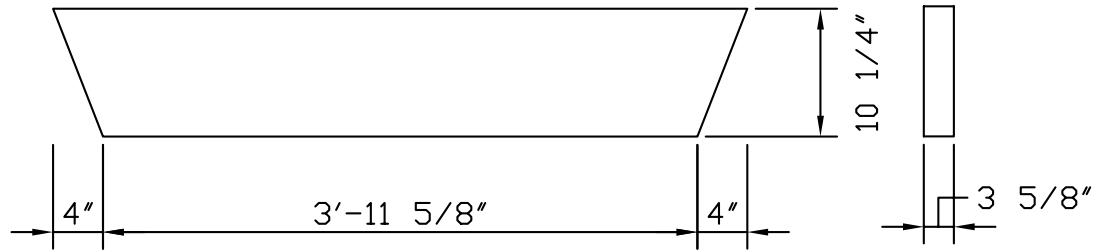
LINTELS

3 COURSE
STANDARD
BRICK



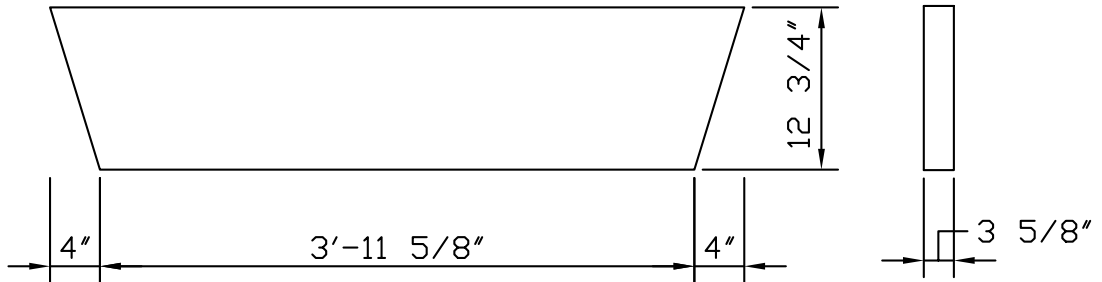
L-102-A-7.625

4 COURSE
STANDARD
BRICK



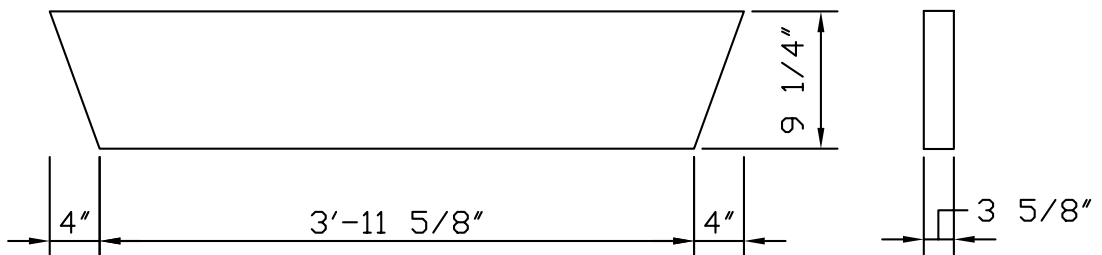
L-102-A-10.25

5 COURSE
STANDARD
BRICK



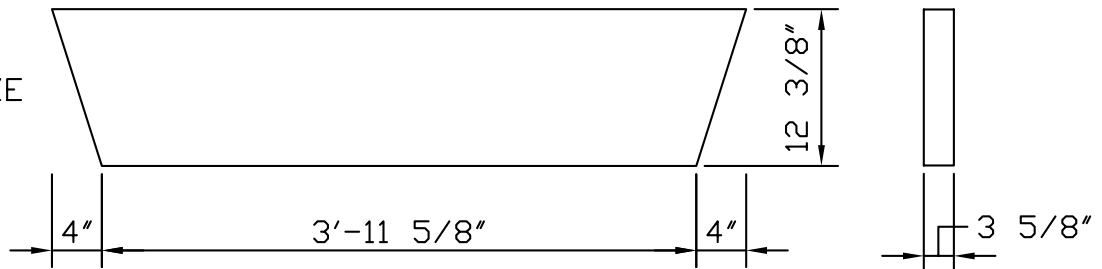
L-102-A-13

3 COURSE
QUEEN SIZE
BRICK



L-102-A-09

4 COURSE
QUEEN SIZE
BRICK

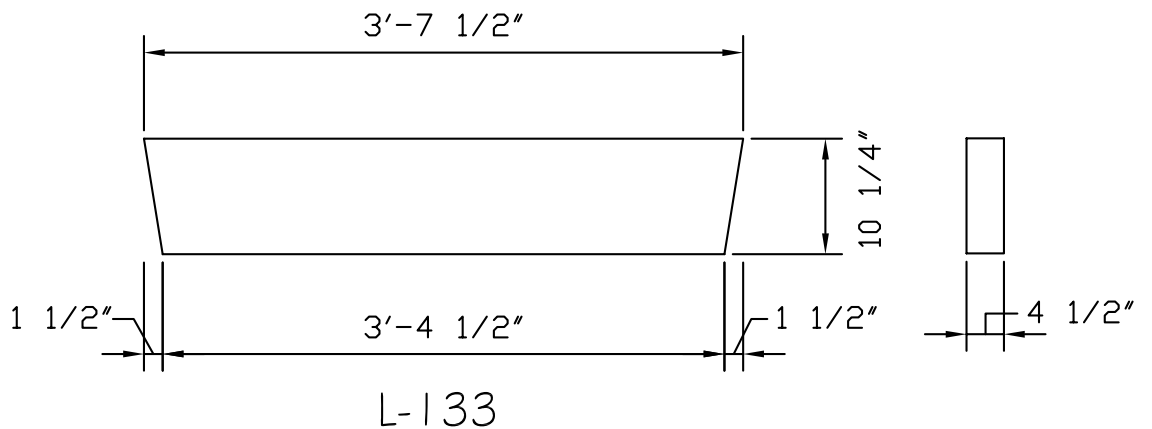
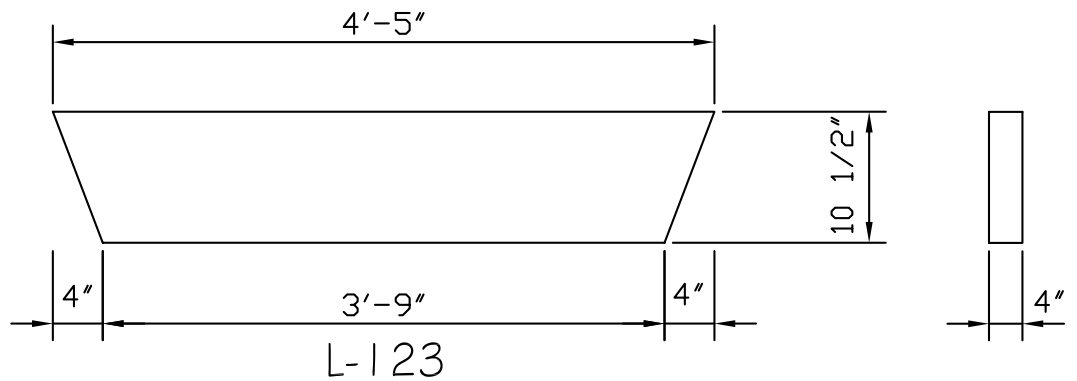
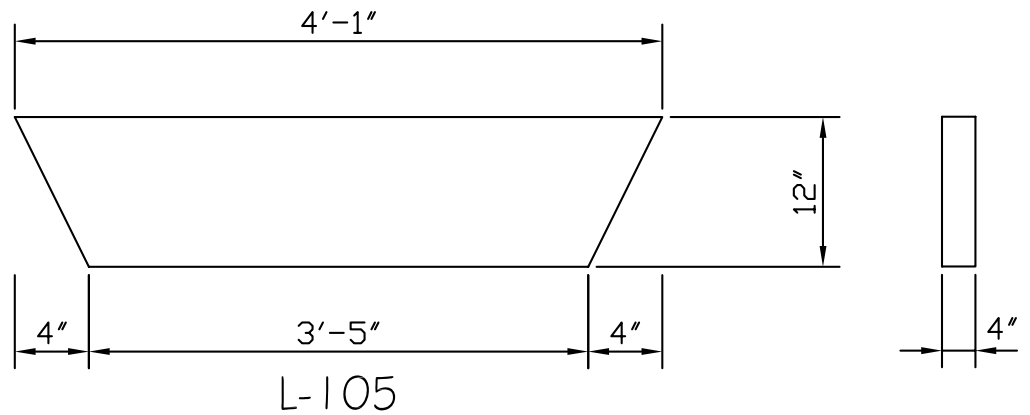
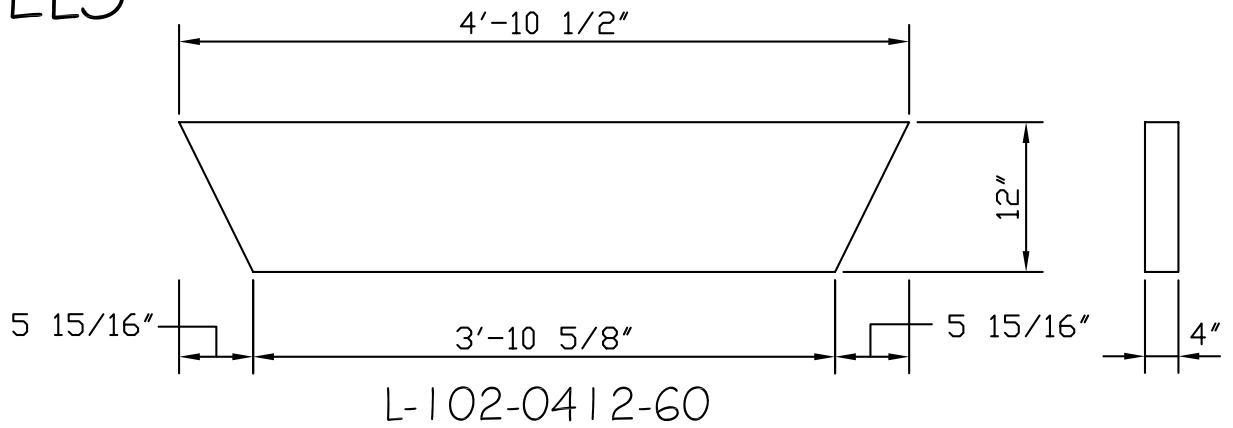


L-102-A-12.08

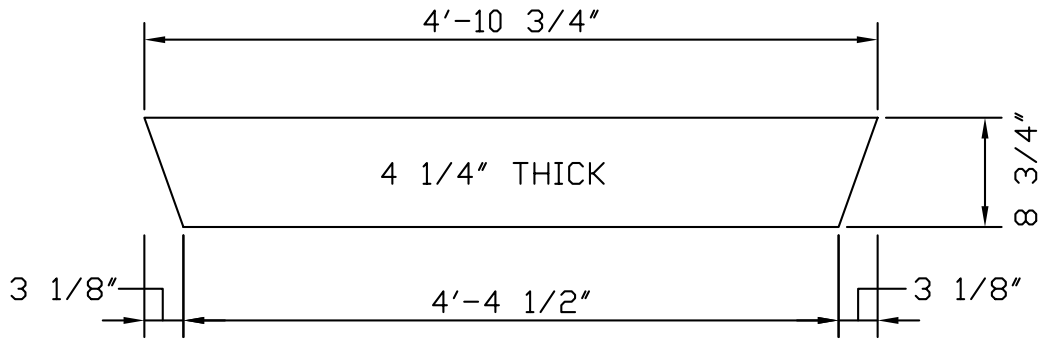


OLDE WORLD
CAST STONE

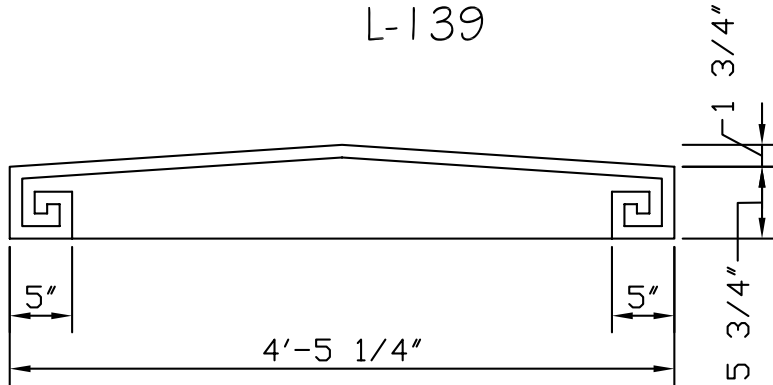
LINTELS



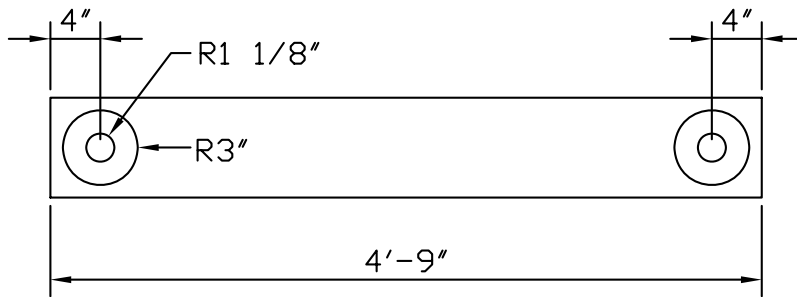
LINTELS



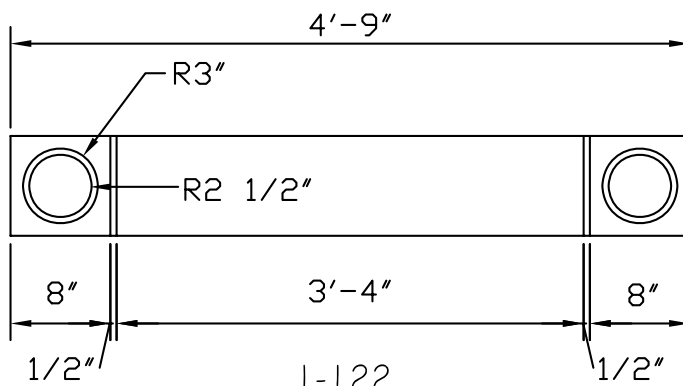
L-139



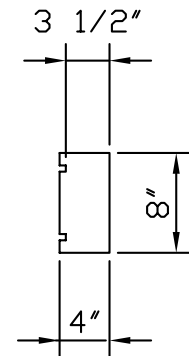
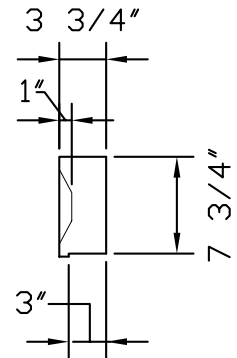
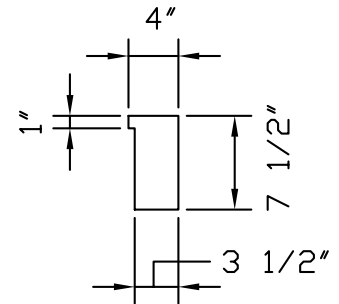
LN-101



L-104-0857

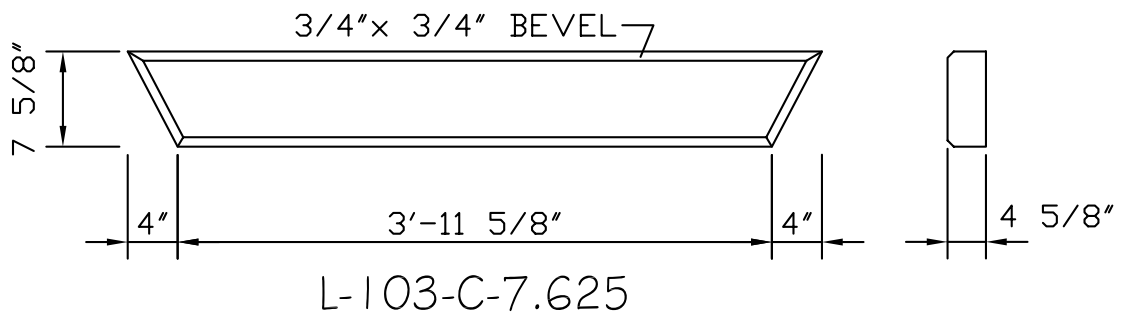


L-122

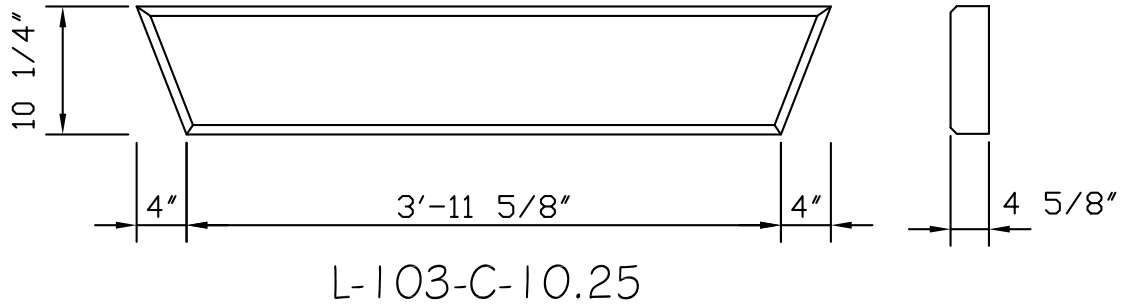


LINTELS

3 COURSE
STANDARD
BRICK



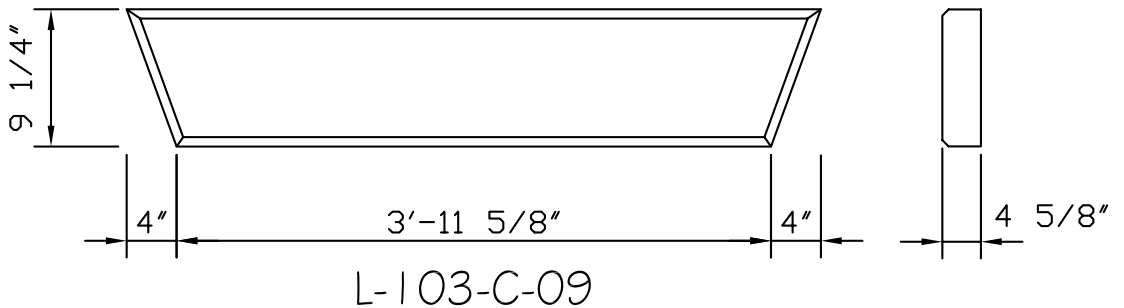
4 COURSE
STANDARD
BRICK



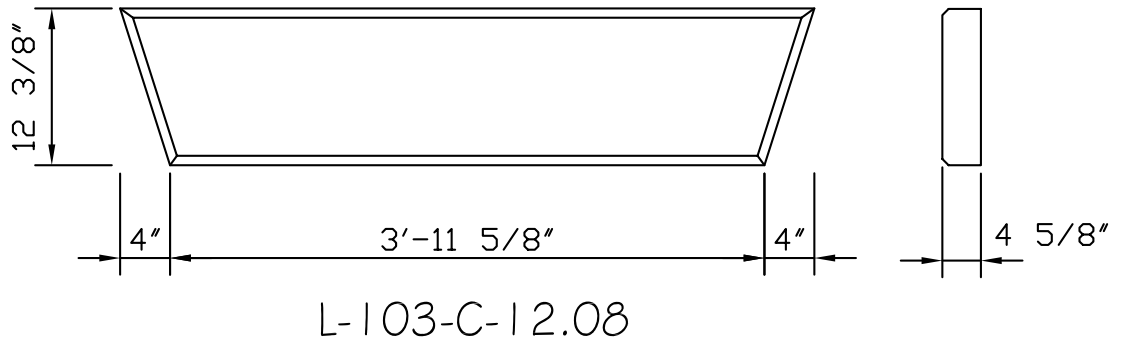
5 COURSE
STANDARD
BRICK



3 COURSE
QUEEN SIZE
BRICK

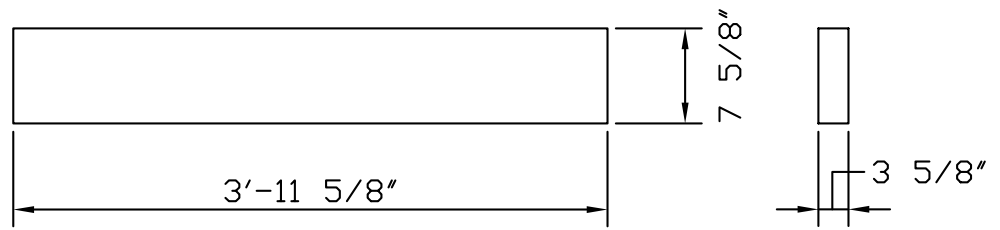


4 COURSE
QUEEN SIZE
BRICK



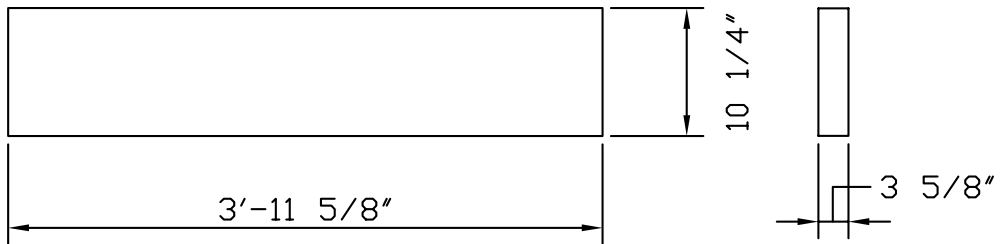
LINTELS

3 COURSE
STANDARD
BRICK



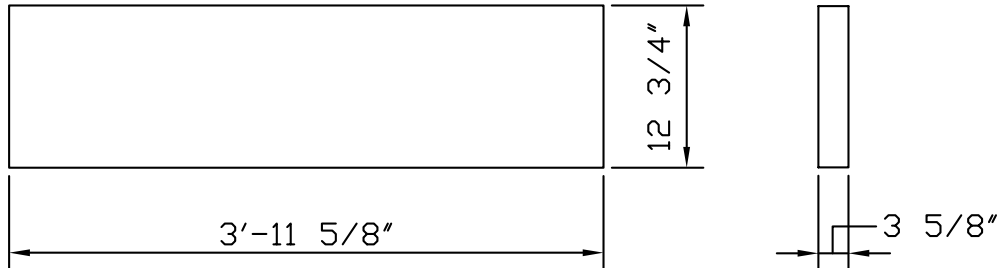
L-101-S-7.625

4 COURSE
STANDARD
BRICK



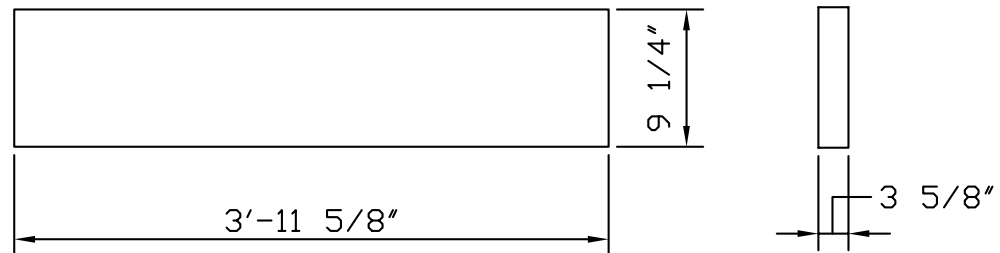
L-101-S-10.25

5 COURSE
STANDARD
BRICK



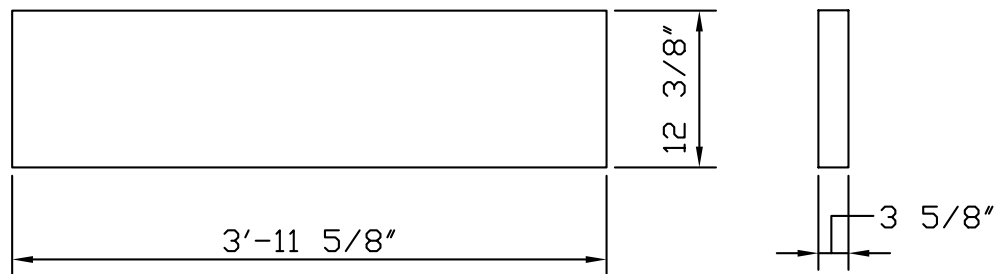
L-101-S-13

3 COURSE
QUEEN SIZE
BRICK



L-101-S-09

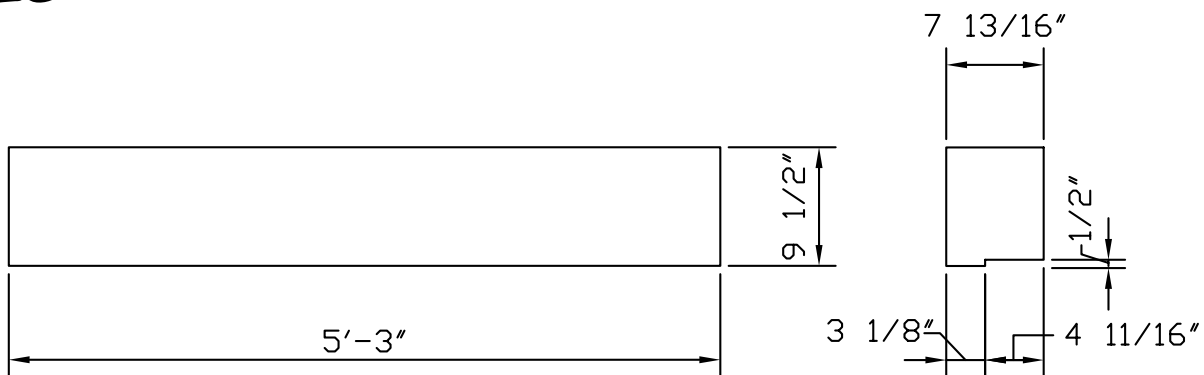
4 COURSE
QUEEN SIZE
BRICK



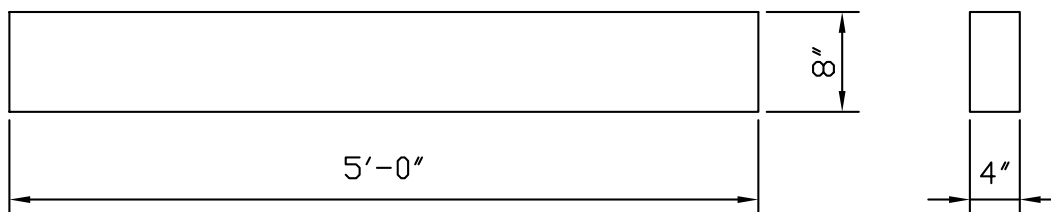
L-101-S-12.08



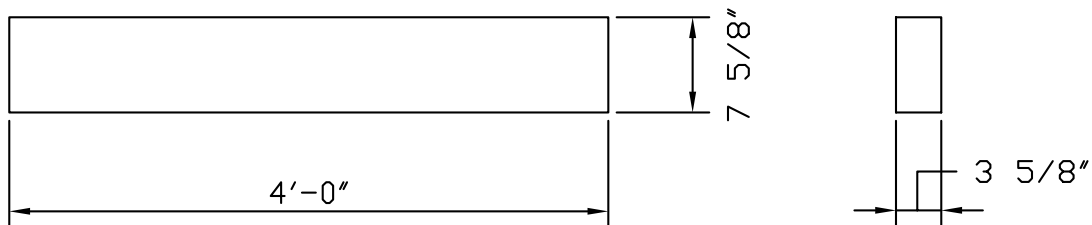
LINTELS



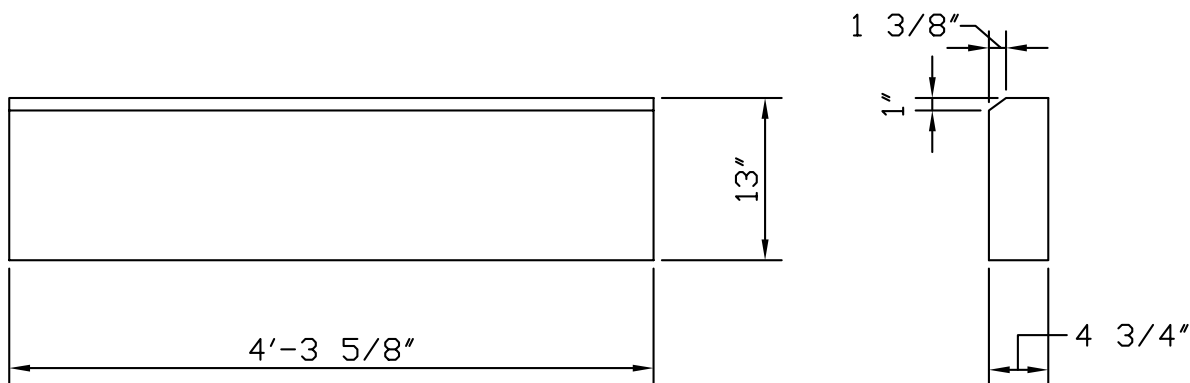
L-130



LT-4-8-60



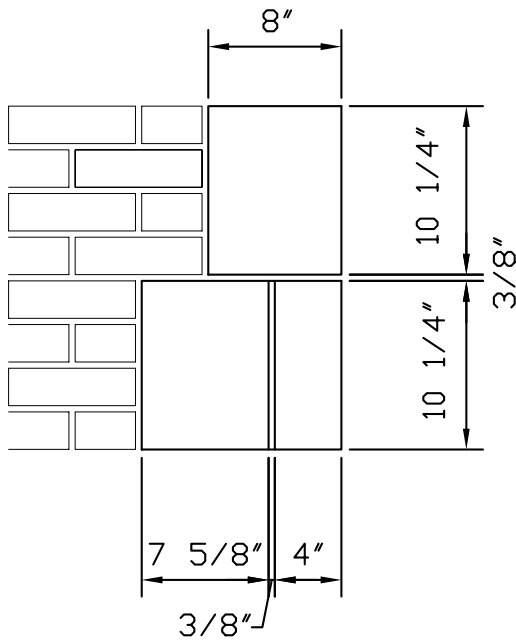
L-101-0848



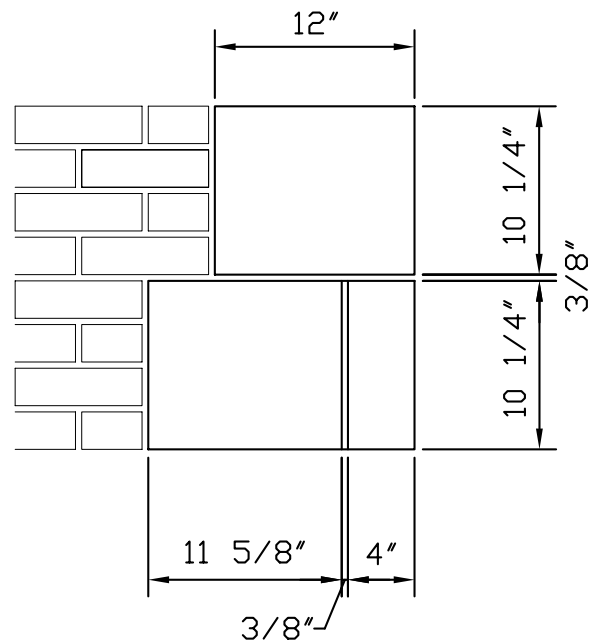
L-632



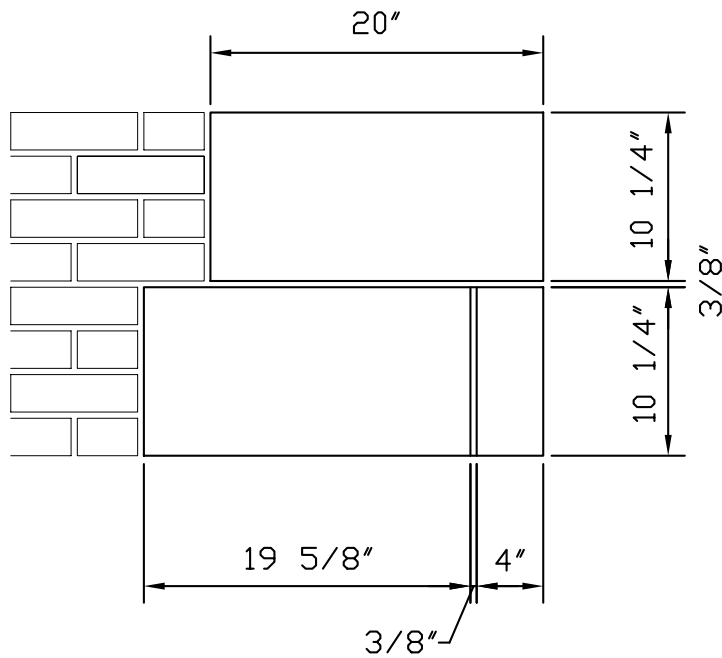
QUOINS



QS-101-8



QS-101-12



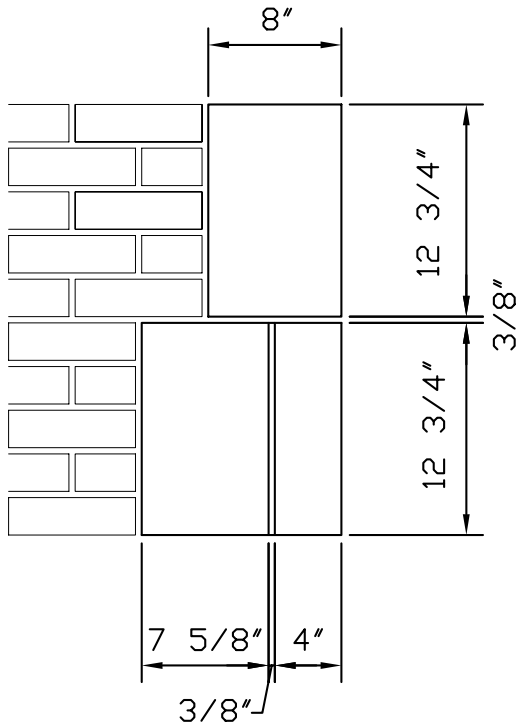
QS-101-20

STANDARD PROFILE

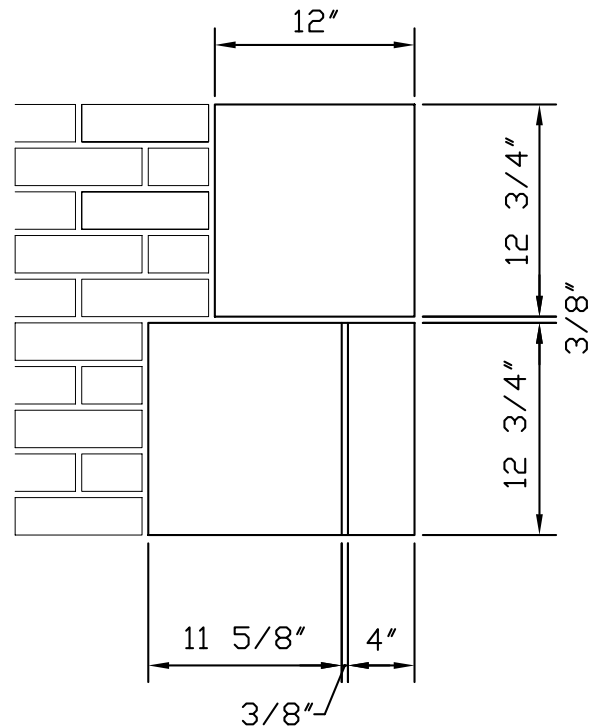


4280 WAYSIDE COURT LILBURN, GA. 30047. (770)921-9788. FAX 921-9910

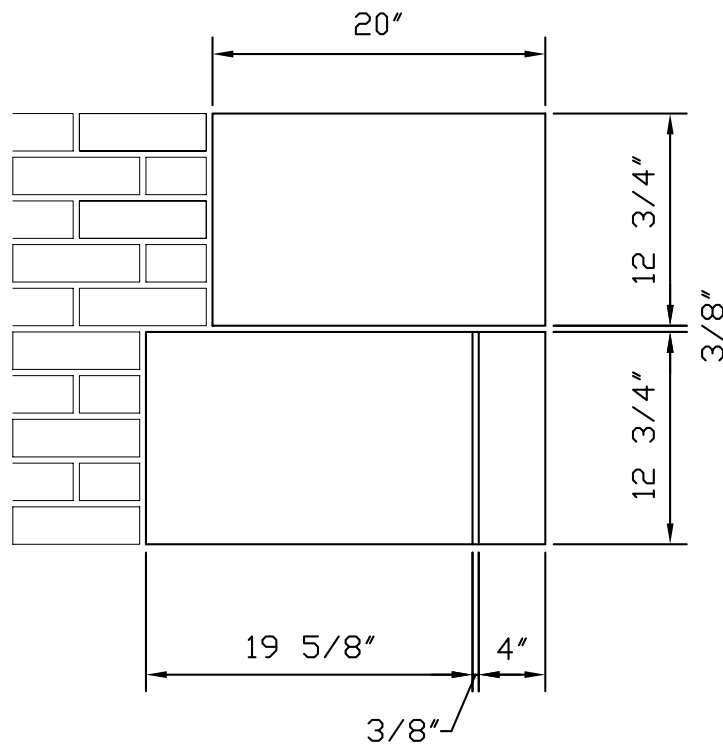
QUOINS



QS-102-8



QS-102-12



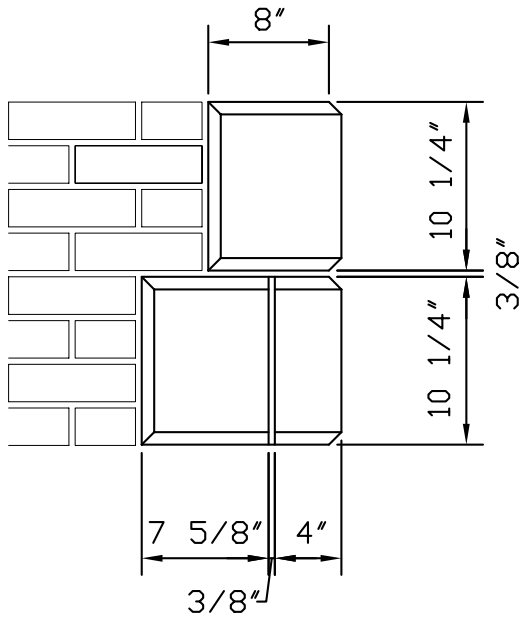
QS-102-20

STANDARD PROFILE

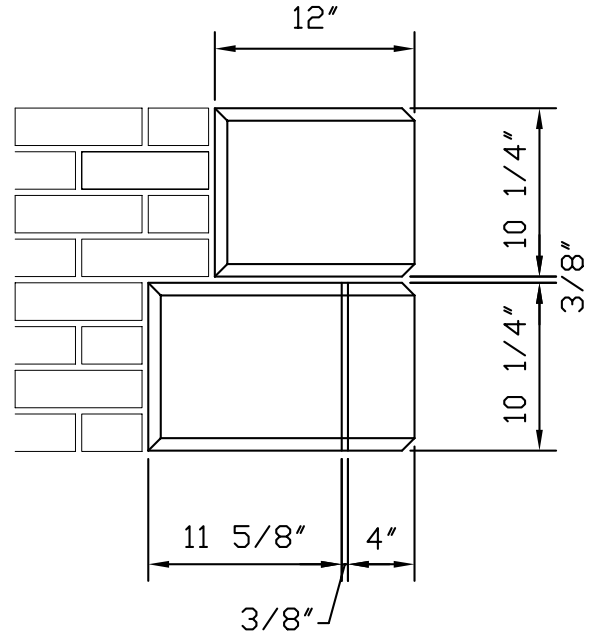


4280 WAYSIDE COURT LILBURN, GA. 30047. (770)921-9788. FAX 921-9910

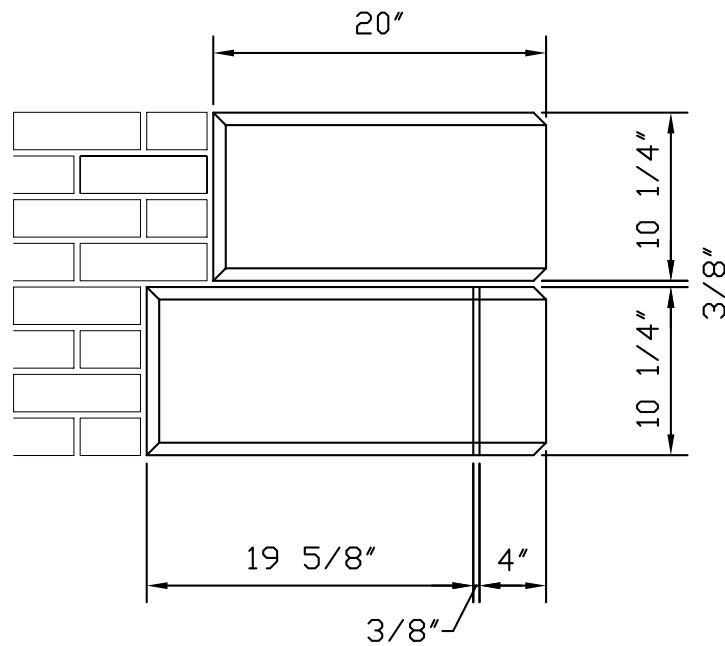
QUOINS



QC-101-8



QC-101-12



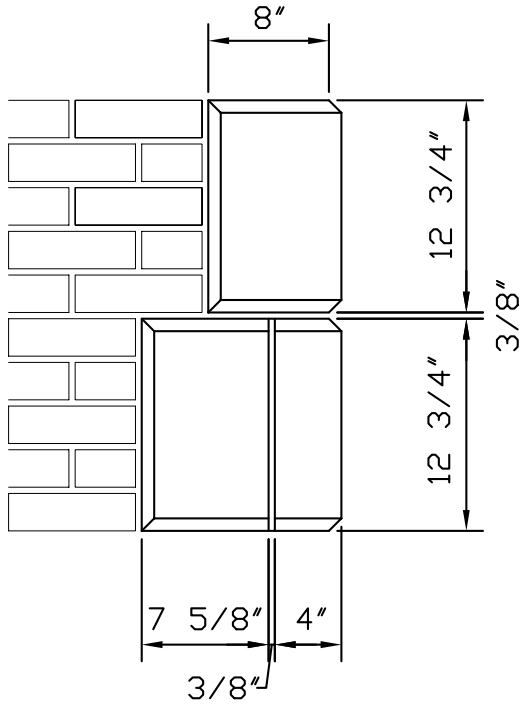
QC-101-20

CHAMFERED PROFILE

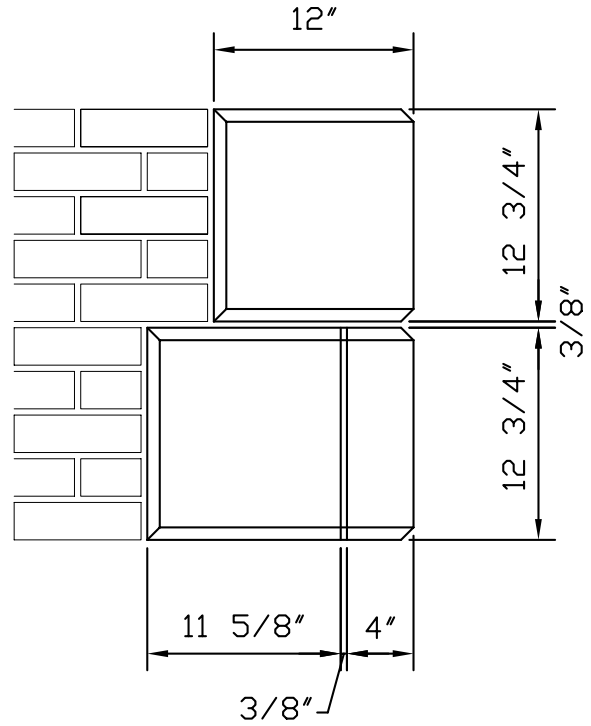
ALL CHAMFERS 3/4" x 3/4"



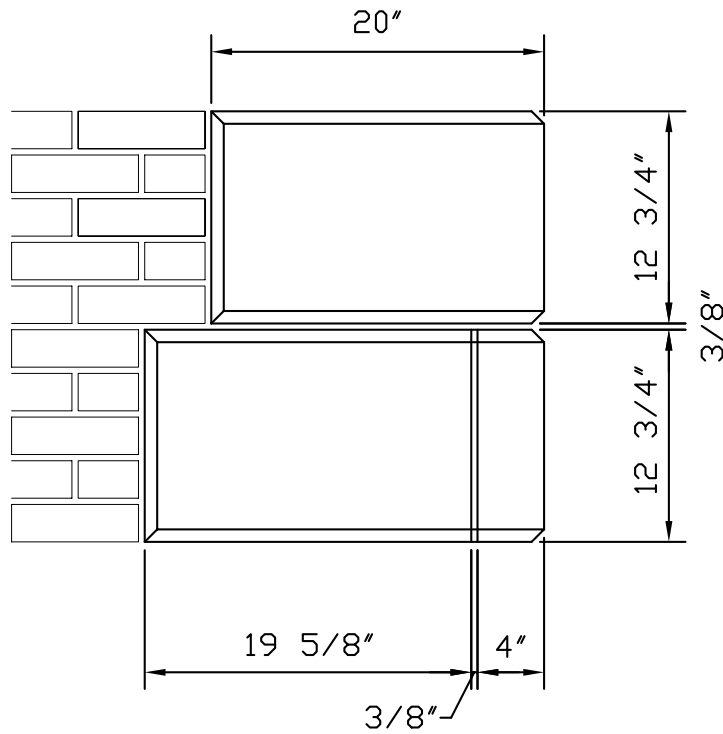
QUOINS



QC-102-8



QC-102-12



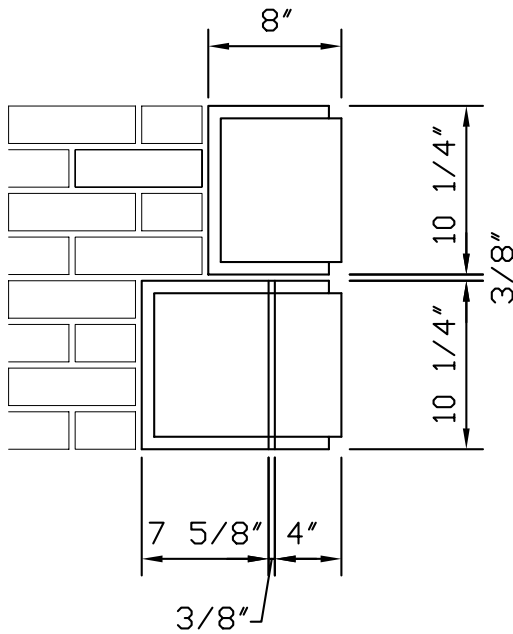
QC-102-20

CHAMFERED PROFILE

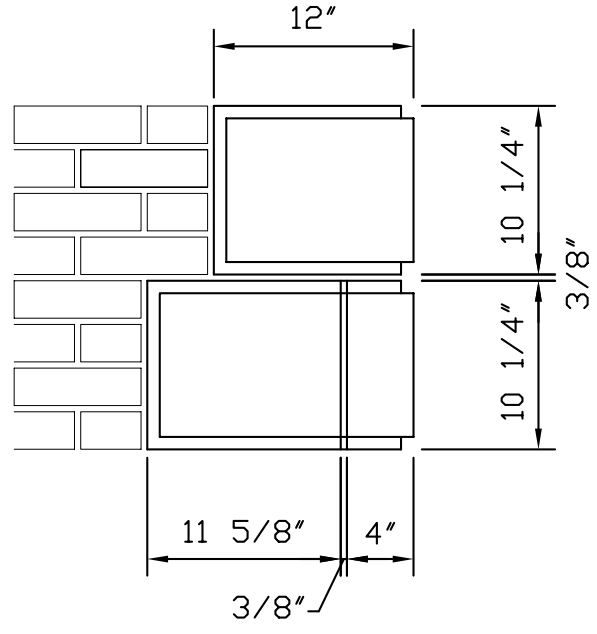
ALL CHAMFERS 3/4" x 3/4"



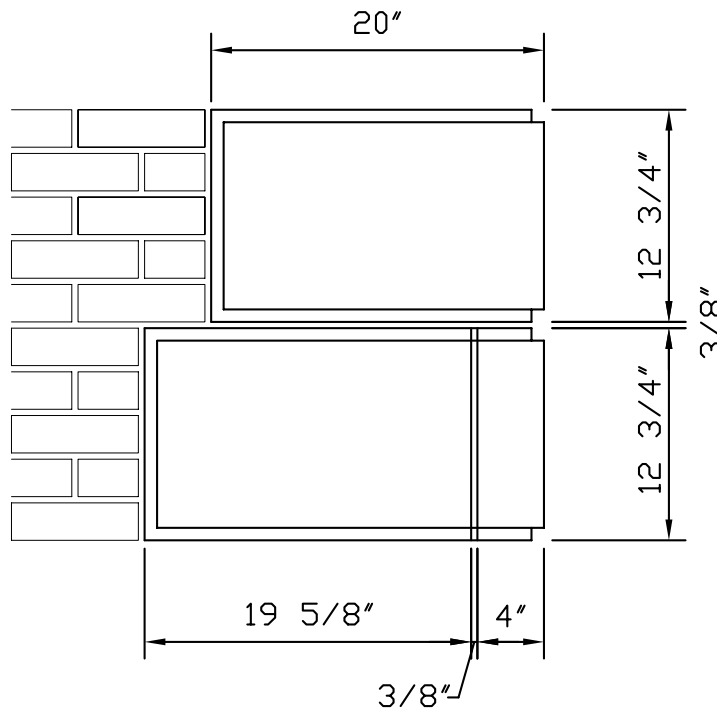
QUOINS



QR-101-8



QR-101-12



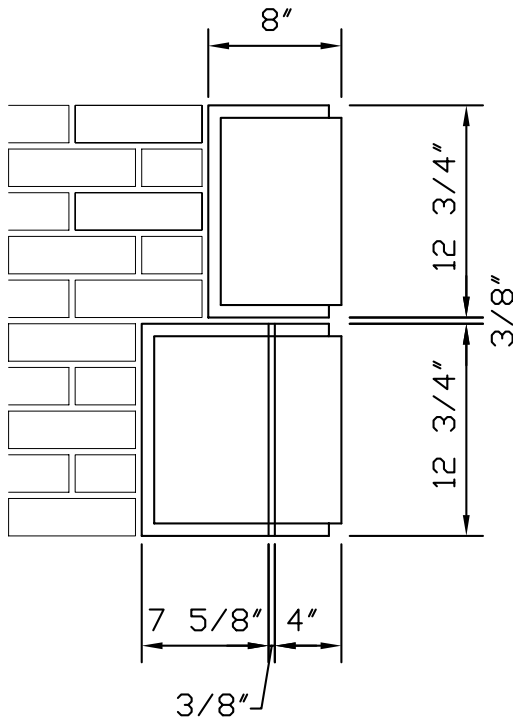
QR-101-20

RUSTICATED PROFILE

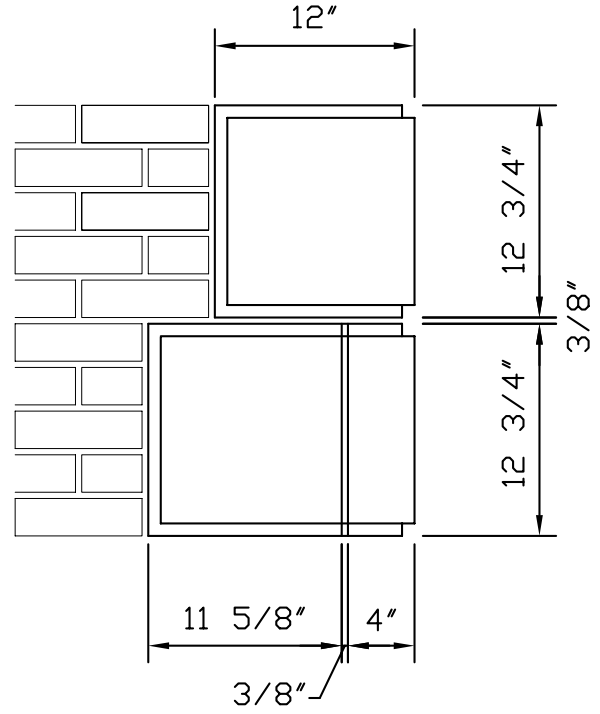
ALL RUSTICATION 3/4" x 3/4"



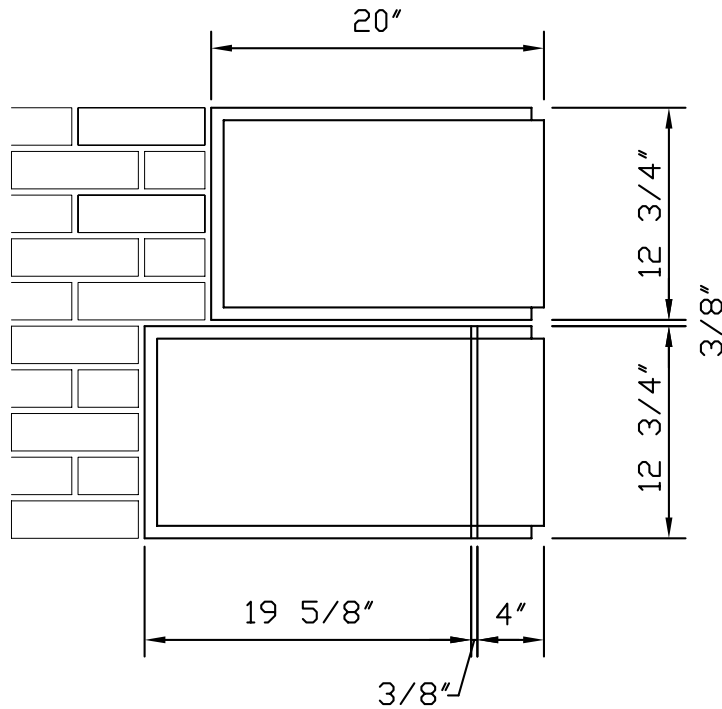
QUOINS



QR-102-8



QR-102-12



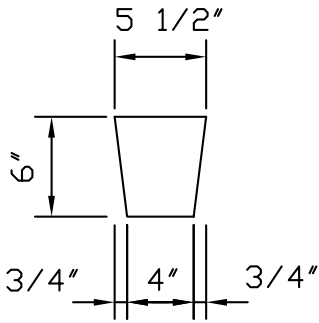
QR-102-20

RUSTICATED PROFILE

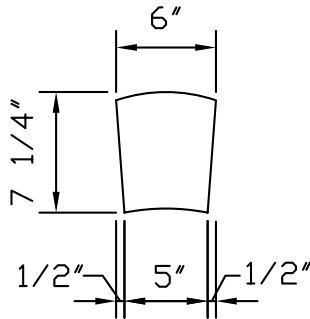
ALL RUSTICATION 3/4" x 3/4"



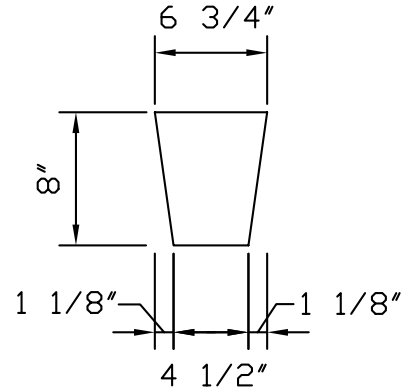
KEYS



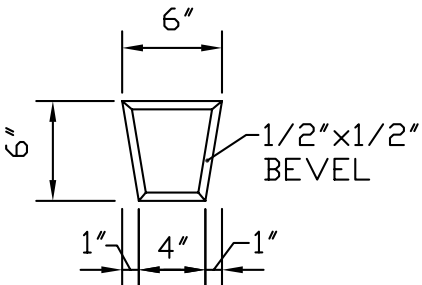
K-001-0606
4" THICK



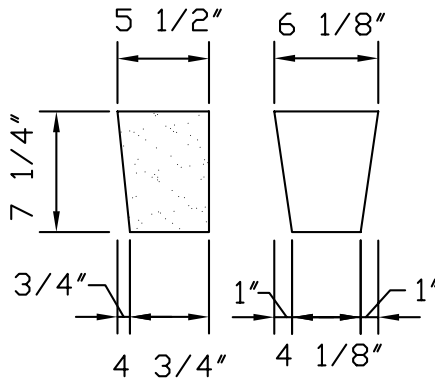
K-243
4" THICK



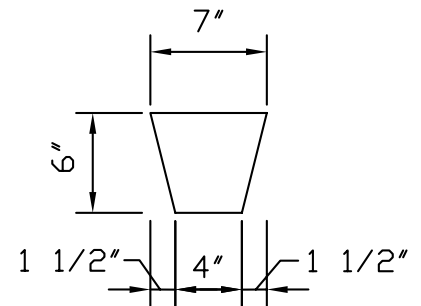
K-001-4.508
3 5/8" THICK



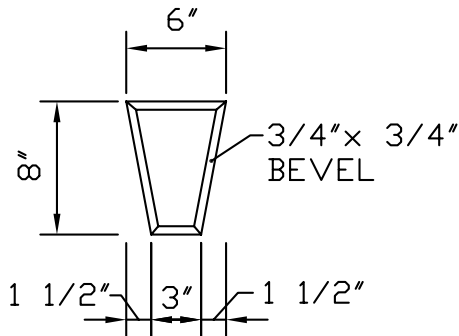
K-001-0606-C
4 1/4" THICK



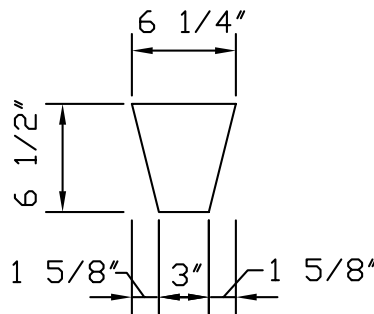
K-230



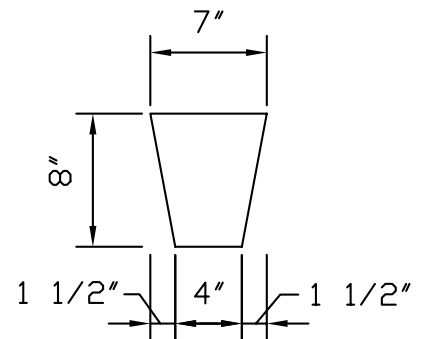
K-273
5 1/2" THICK



K-001-0806C
4 3/4" THICK



K-217
5" THICK



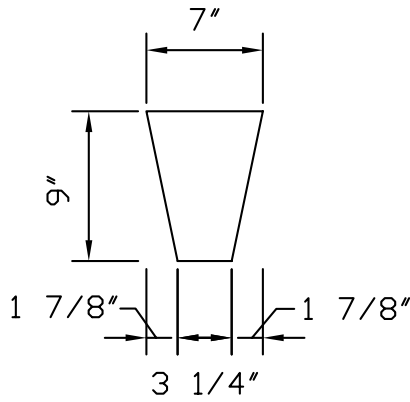
K-221-0407-8
4" THICK



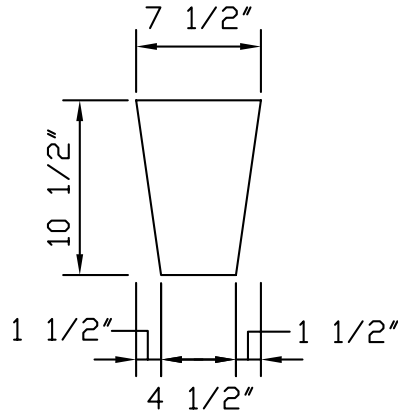
OLDE WORLD
CAST STONE

4280 WAYSIDE COURT LILBURN, GA. 30047. (770)921-9788. FAX 921-9910

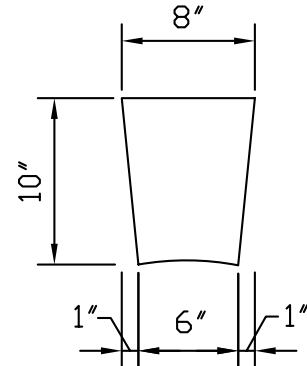
KEYS



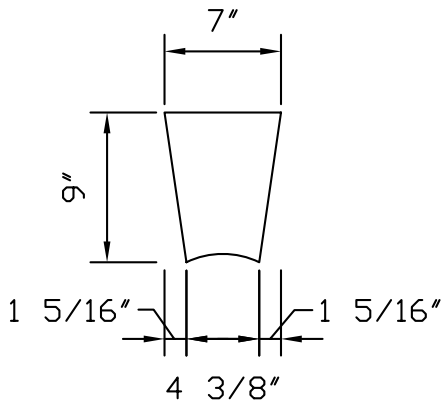
K-250
5" THICK



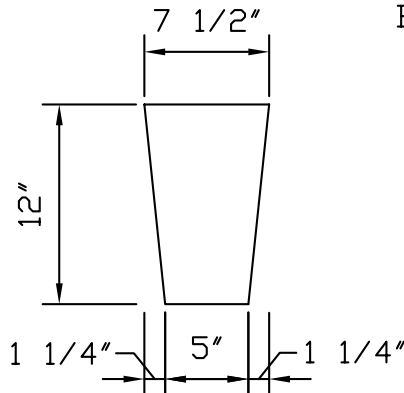
K-001-0710
5 1/4" THICK



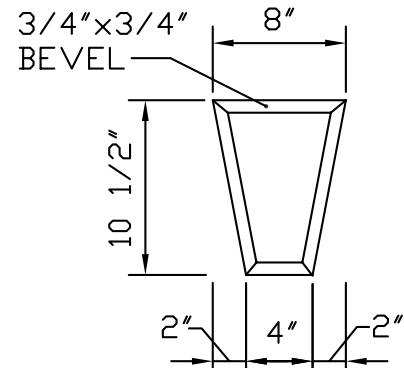
K-8-L
6" THICK



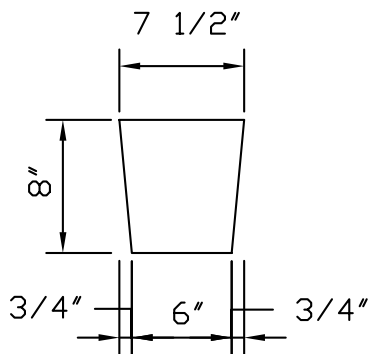
K-001-7x9
3" THICK



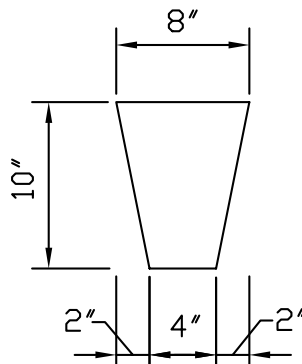
K-001-1207
6" THICK



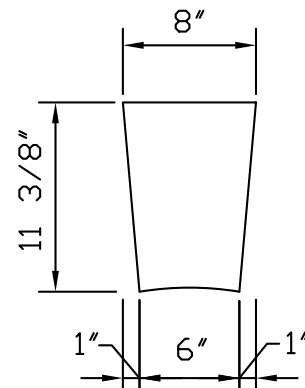
K-262
3 7/8" THICK
4 PC GANG MOLD



K-220
12 5/8" THICK



K-247
4" THICK



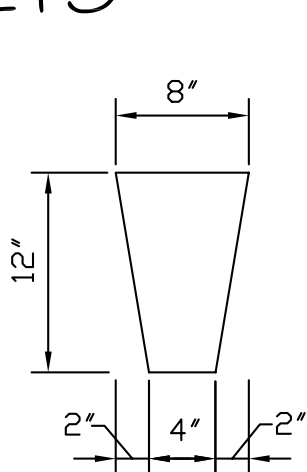
K-249
5" THICK



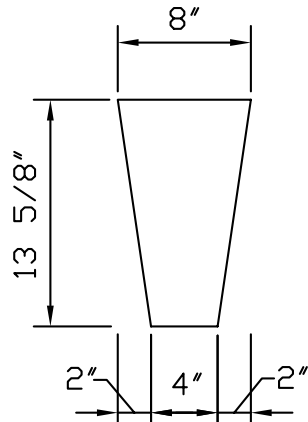
OLDE WORLD
CAST STONE

4280 WAYSIDE COURT LILBURN, GA. 30047. (770)921-9788. FAX 921-9910

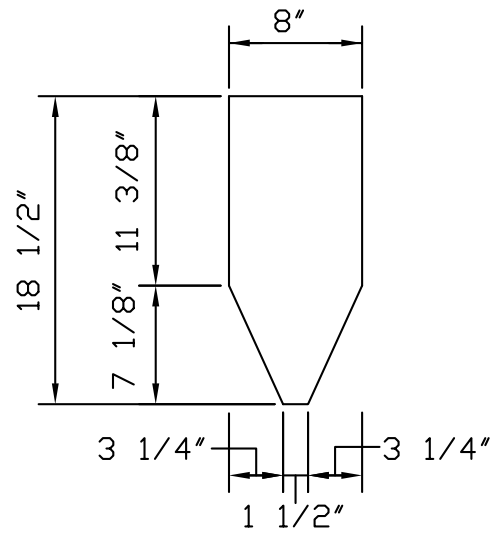
KEYS



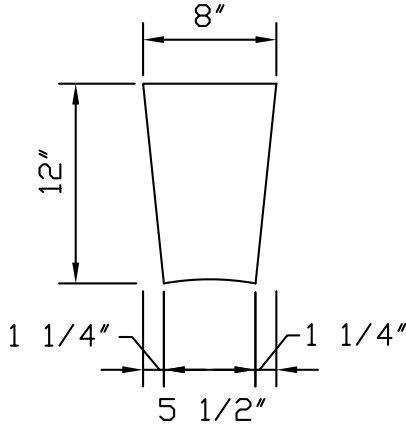
K-216
4" THICK



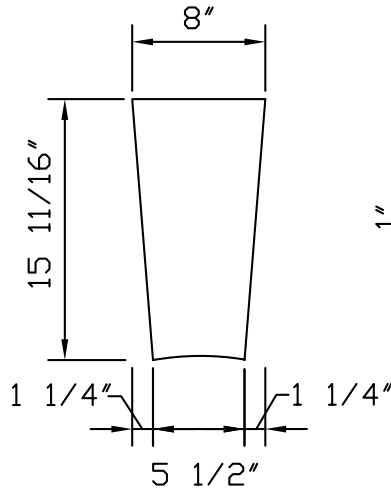
K-225
3 5/8" THICK



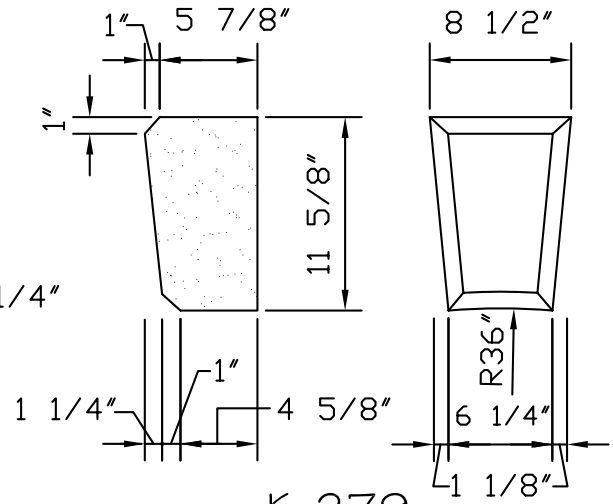
K-269
5 1/4" THICK



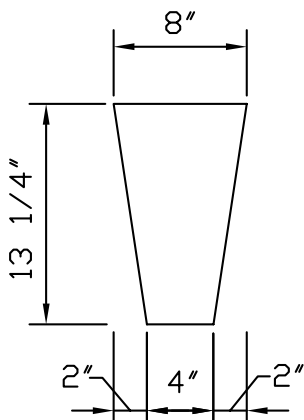
K-258
3 1/2" THICK



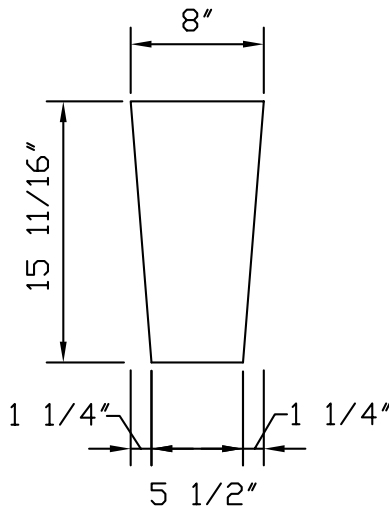
K-259(R)
3 1/2" THICK



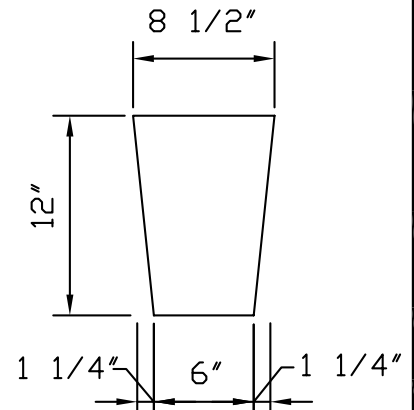
K-279
6 7/8" THICK



K-227
4" THICK



K-259(S)
3 1/2" THICK



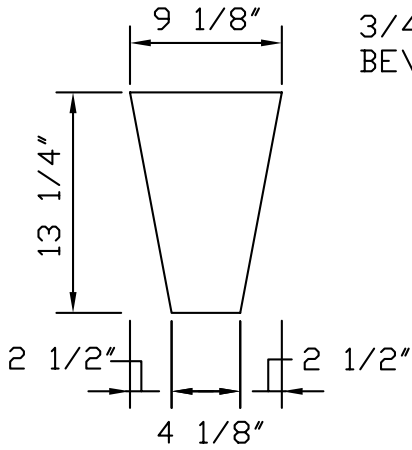
K-232
6" THICK



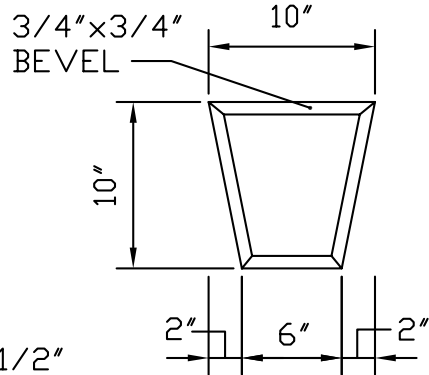
OLDE WORLD
CAST STONE

4280 WAYSIDE COURT LILBURN, GA. 30047. (770)921-9788. FAX 921-9910

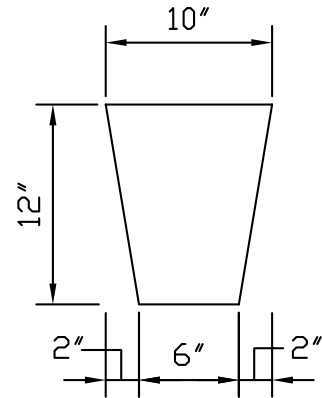
KEYS



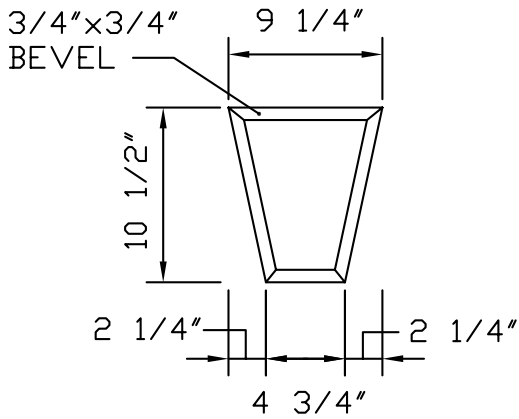
K-222-A
4" THICK



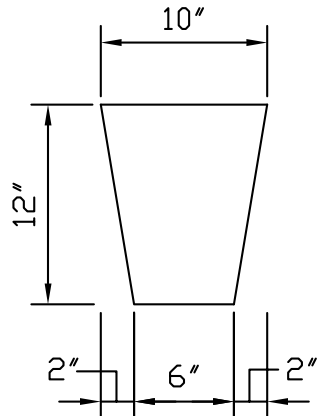
K-271
5 1/8" THICK



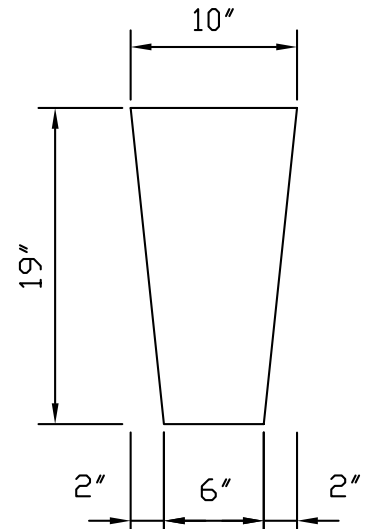
K-229
6 1/2" THICK



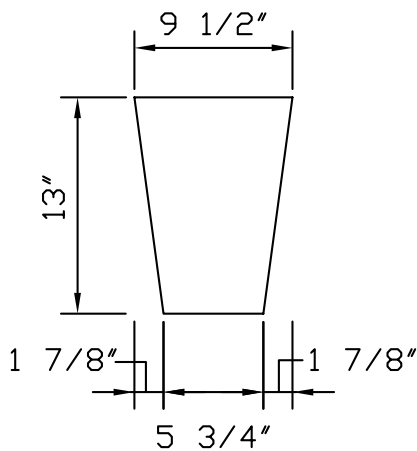
K-001-1009-C
4 1/2" THICK



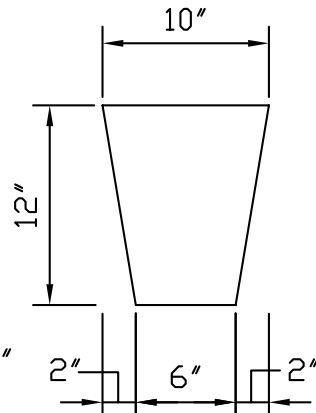
K-002-1012
4 3/4" THICK



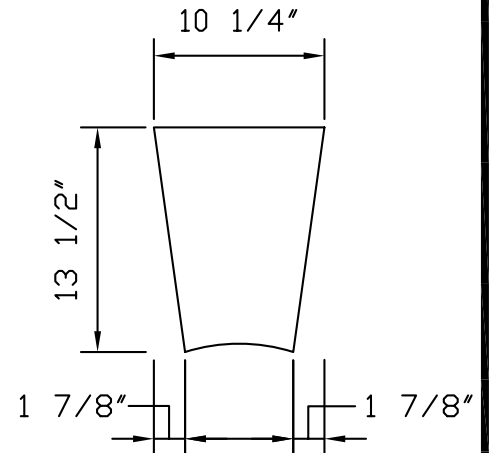
K-219
19" THICK



K-201-13-9-5
5" THICK



K-242
5 1/4" THICK



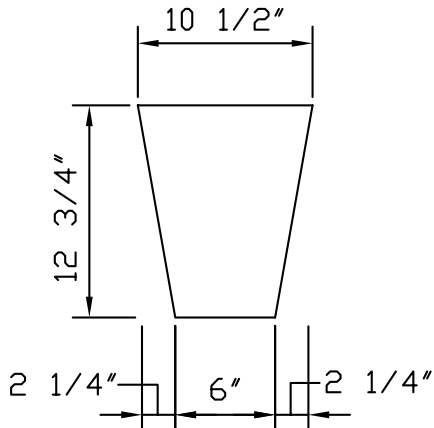
K-279
8" THICK



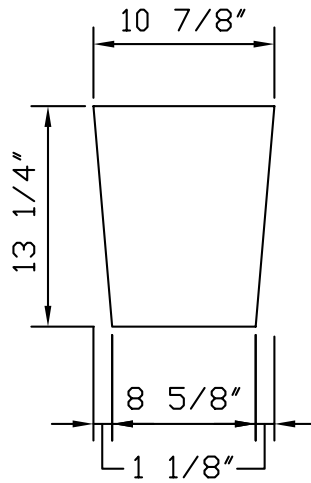
OLDE WORLD
CAST STONE

4280 WAYSIDE COURT LILBURN, GA. 30047. (770)921-9788. FAX 921-9910

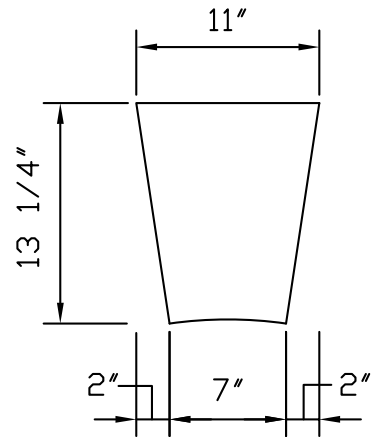
KEYS



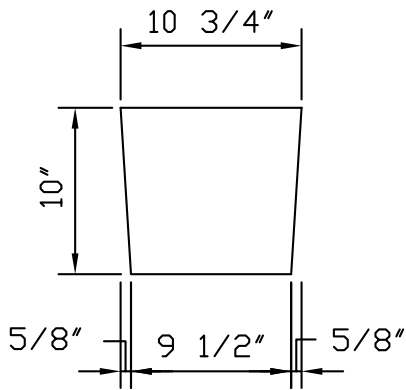
K-265
4" THICK



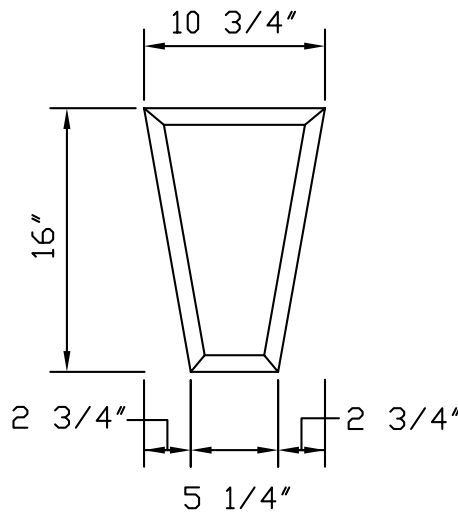
K-245
4 5/8" THICK



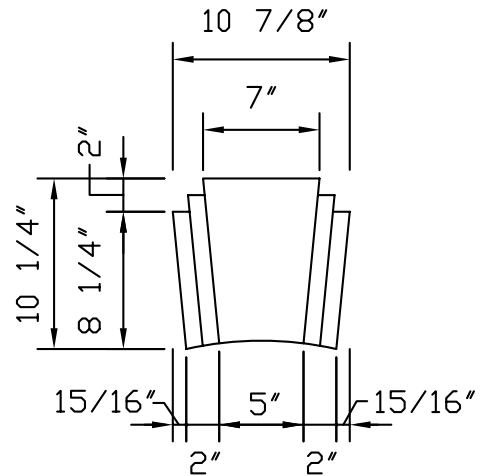
K-238
4 5/8" THICK



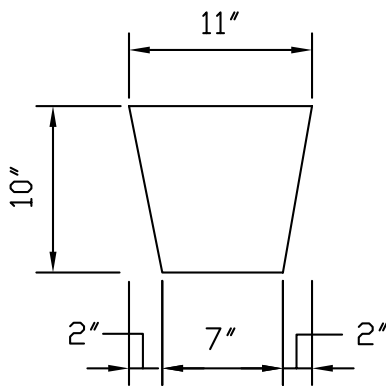
K-245
16" THICK



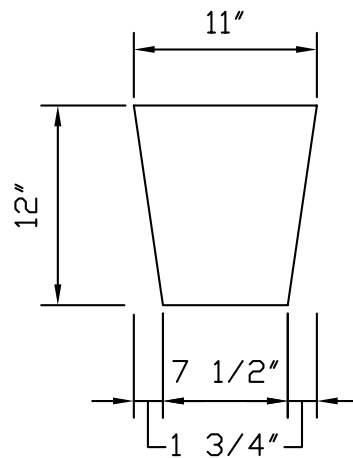
K-260
4 1/2" THICK



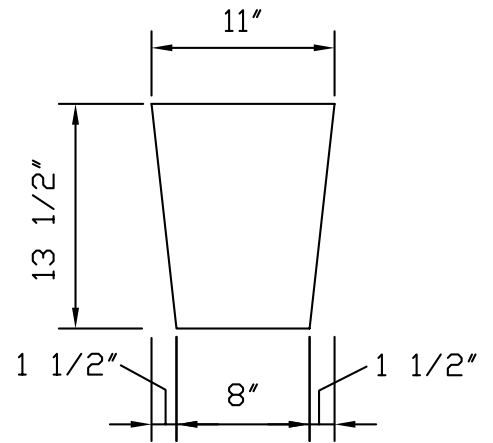
KBW-102-1110
5 1/2" THICK



K-246
4" THICK



K-001-1012
5 3/8" THICK



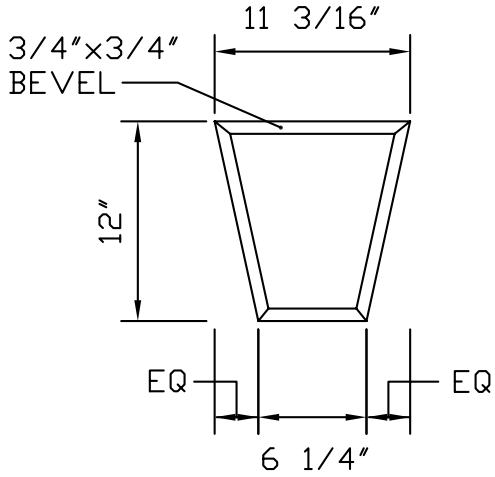
K-234
4" THICK



OLDE WORLD
CAST STONE

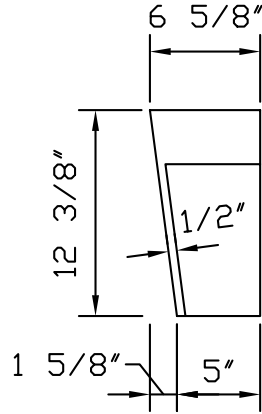
4280 WAYSIDE COURT LILBURN, GA. 30047. (770)921-9788. FAX 921-9910

KEYS

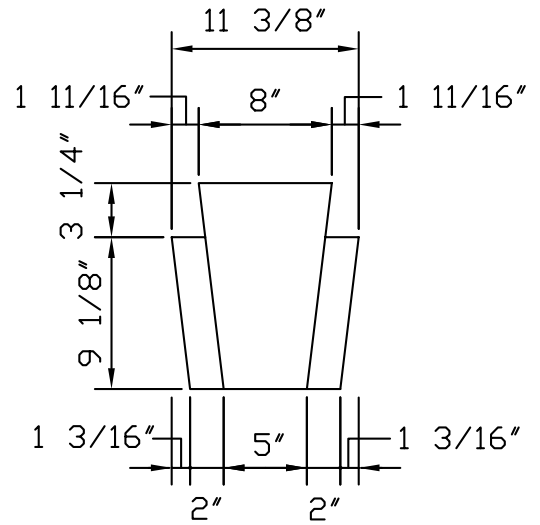


K-278

11" THICK

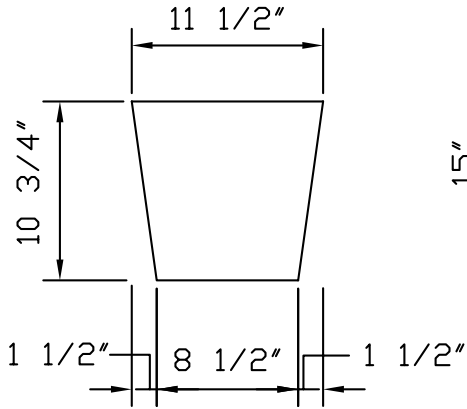


KBW-202



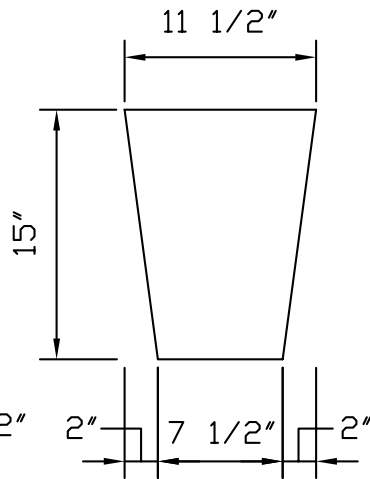
K-002-11.516

4" THICK



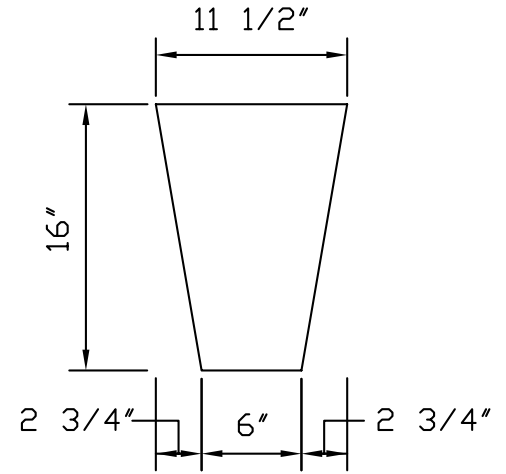
K-275

5 1/8" THICK



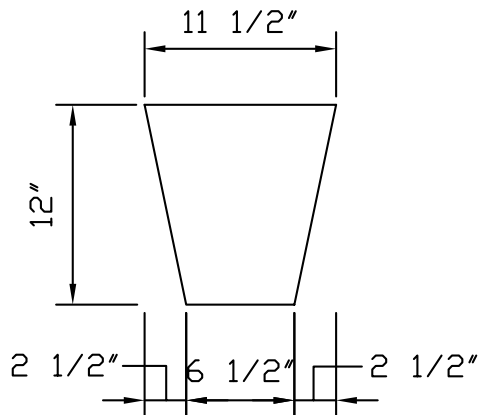
K-001-7.515

4" THICK



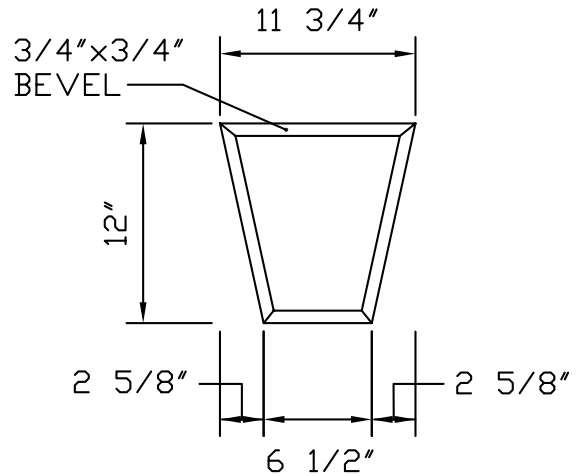
K-001-1211C

4 1/2" THICK



K-001-1211.75

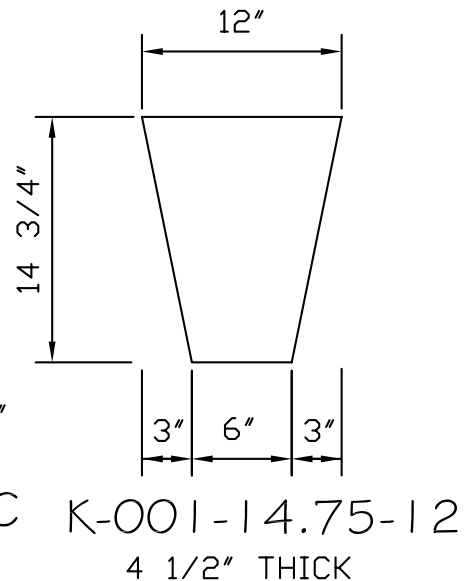
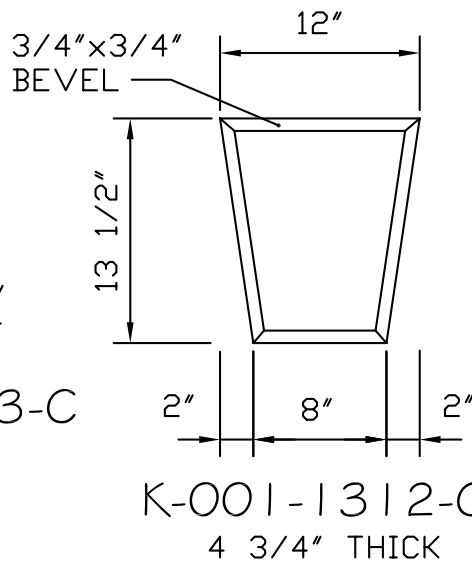
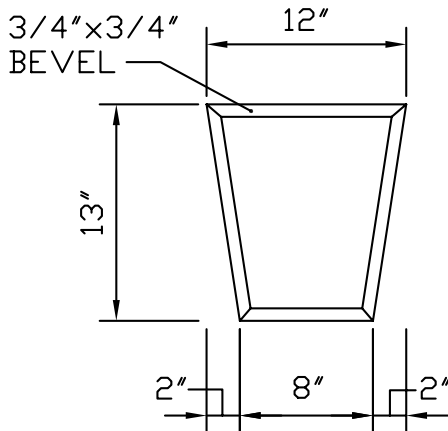
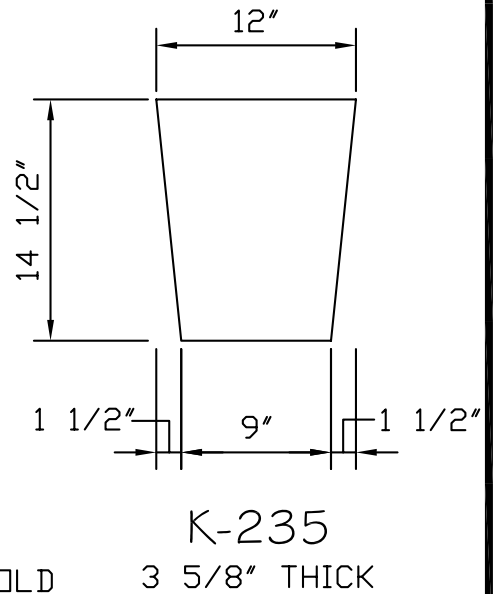
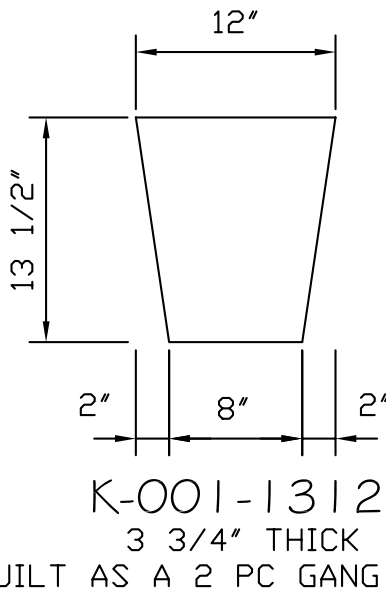
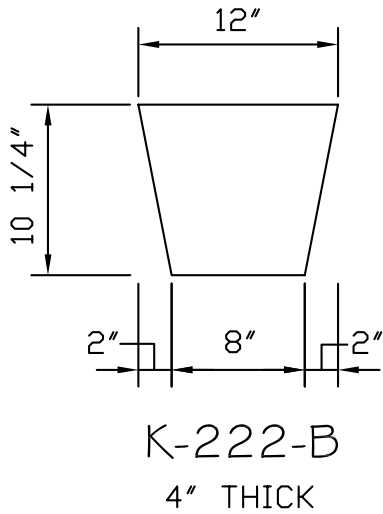
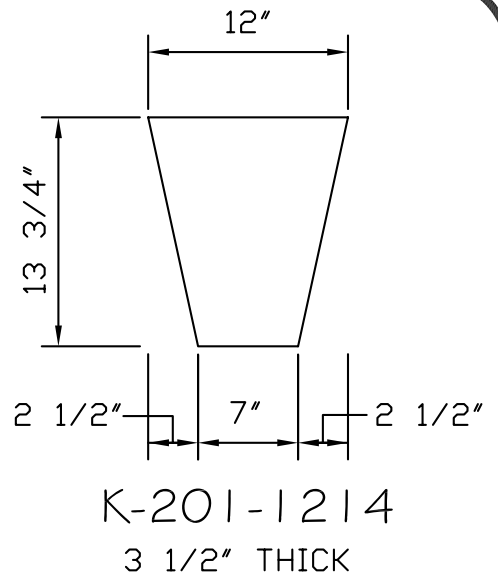
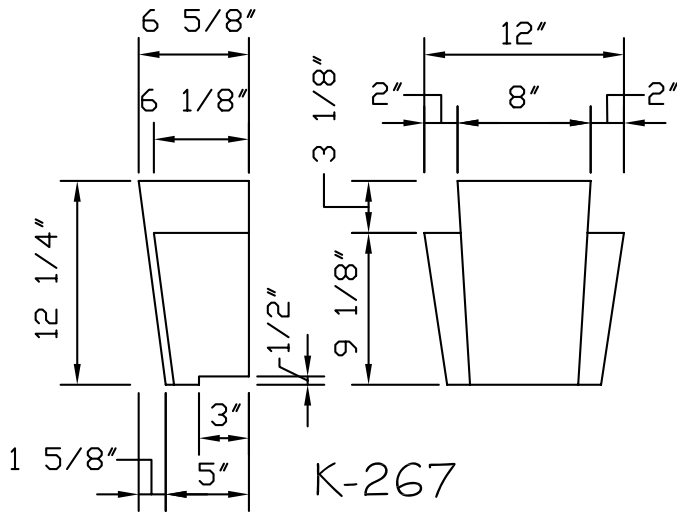
12" THICK



OLDE WORLD
CAST STONE

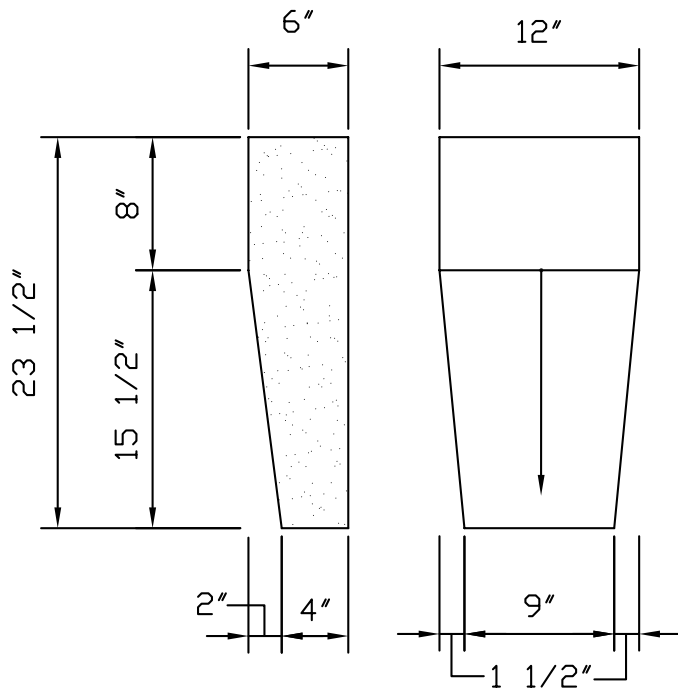
4280 WAYSIDE COURT LILBURN, GA. 30047. (770)921-9788. FAX 921-9910

KEYS

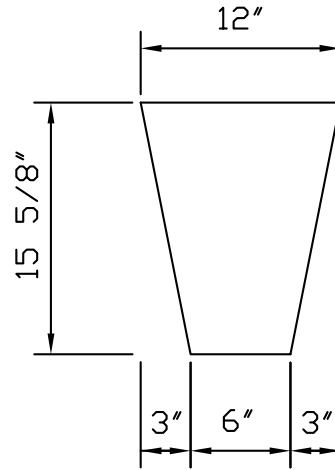


4280 WAYSIDE COURT LILBURN, GA. 30047. (770)921-9788. FAX 921-9910

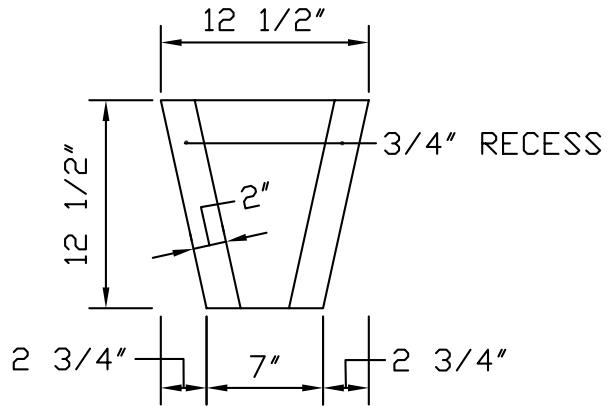
KEYS



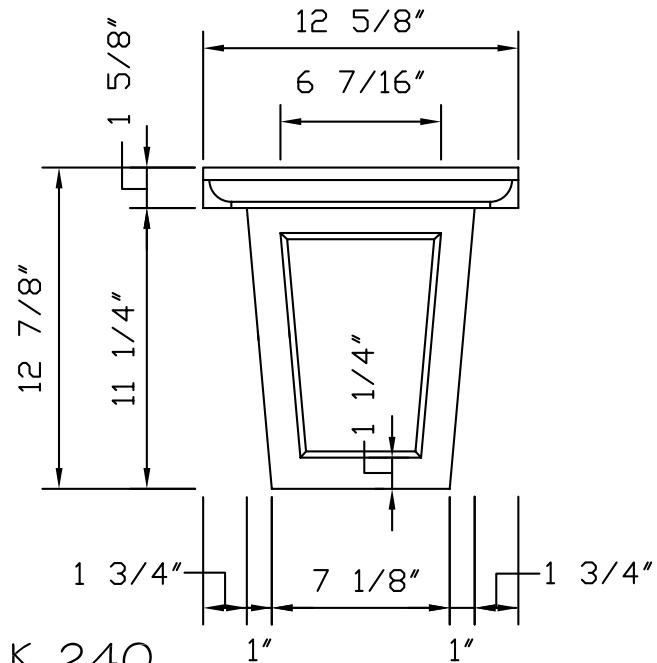
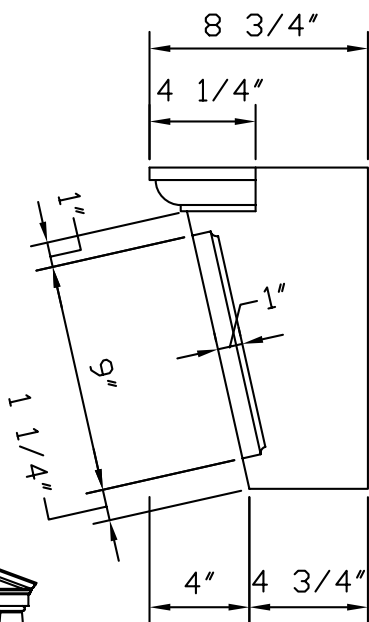
K-02-257



K-261
4 1/8" THICK



KBW-102-12.5-12
5 1/2" THICK



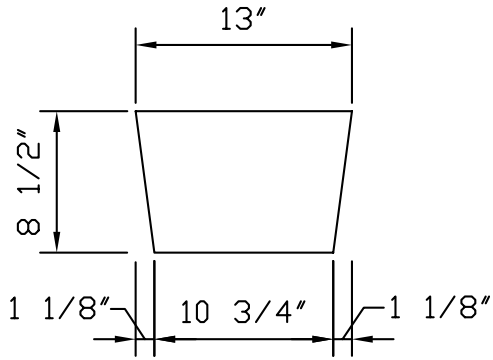
K-240



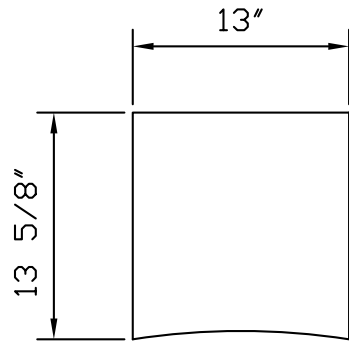
OLDE WORLD
CAST STONE

4280 WAYSIDE COURT LILBURN, GA. 30047. (770)921-9788. FAX 921-9910

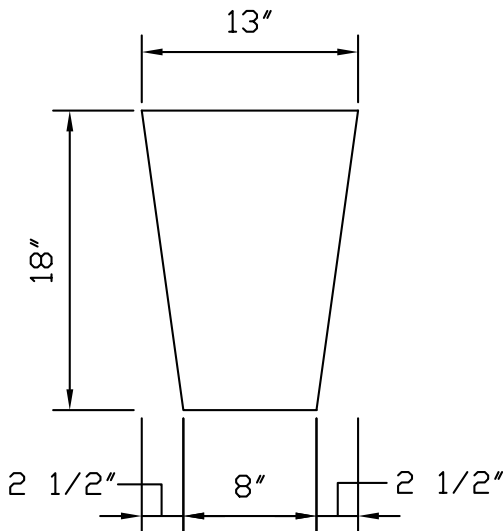
KEYS



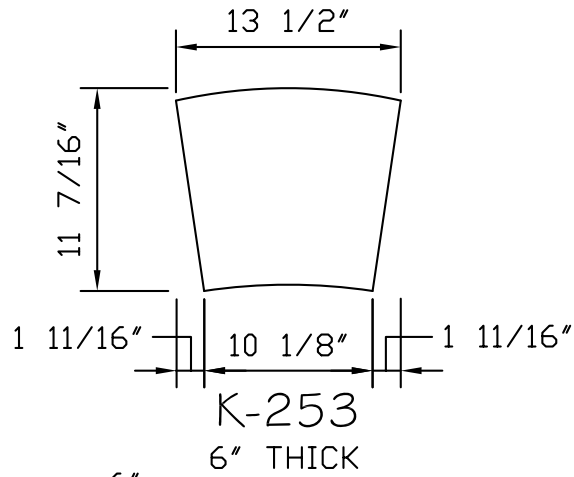
K-001-1214-12.5
12" THICK



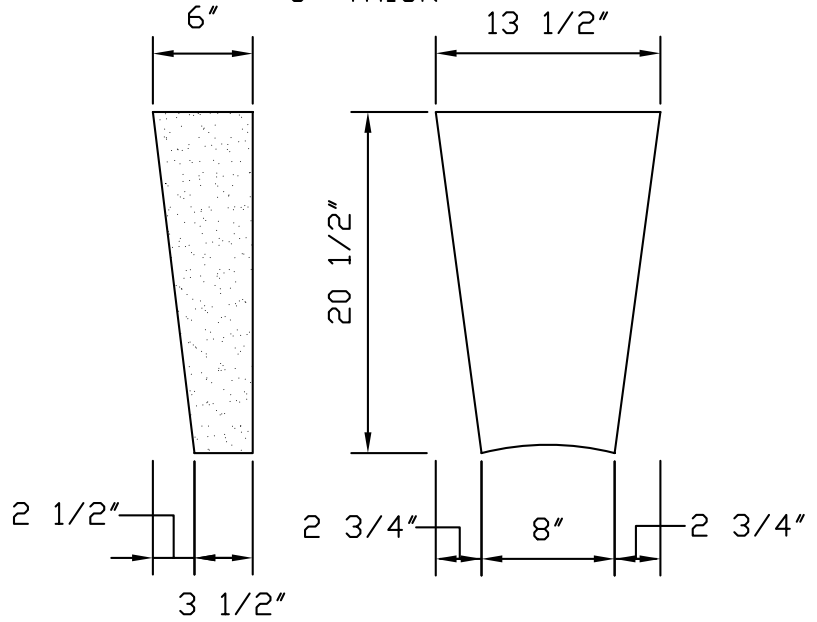
K-237
4 5/8" THICK



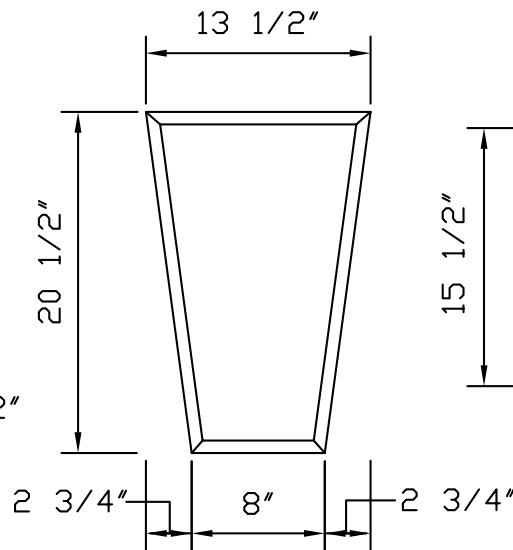
K-001-1813
4" THICK



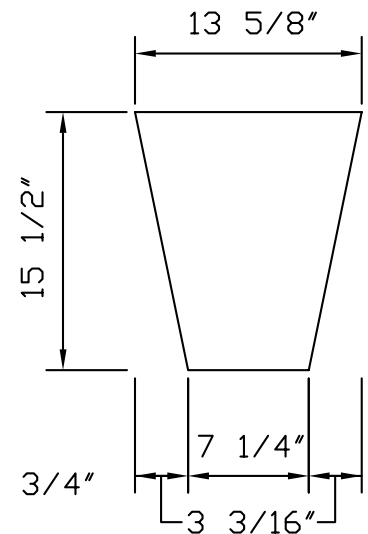
K-253
6" THICK



K-003-2013



K-228-B
4 3/8" THICK



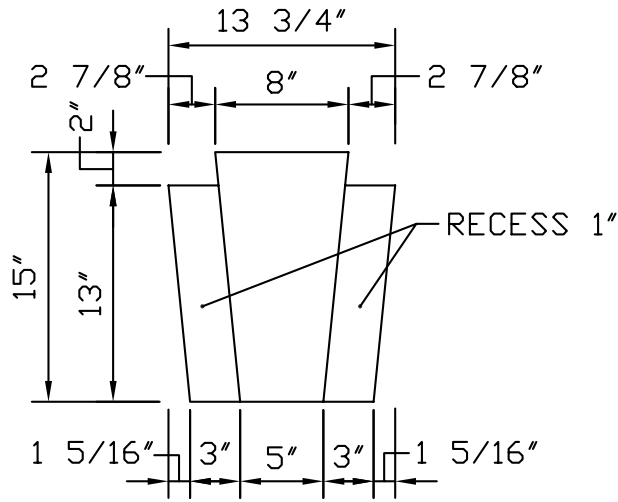
K-228-A
4 1/4" THICK



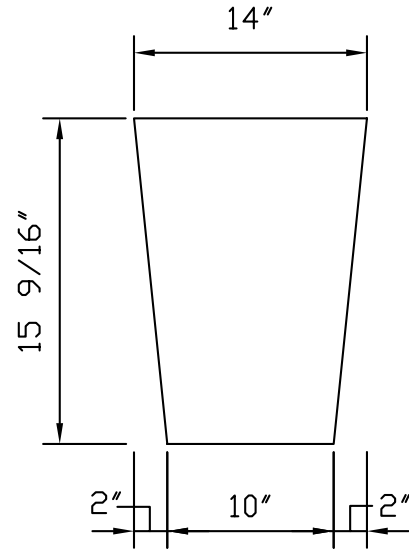
OLDE WORLD
CAST STONE

4280 WAYSIDE COURT LILBURN, GA. 30047. (770)921-9788. FAX 921-9910

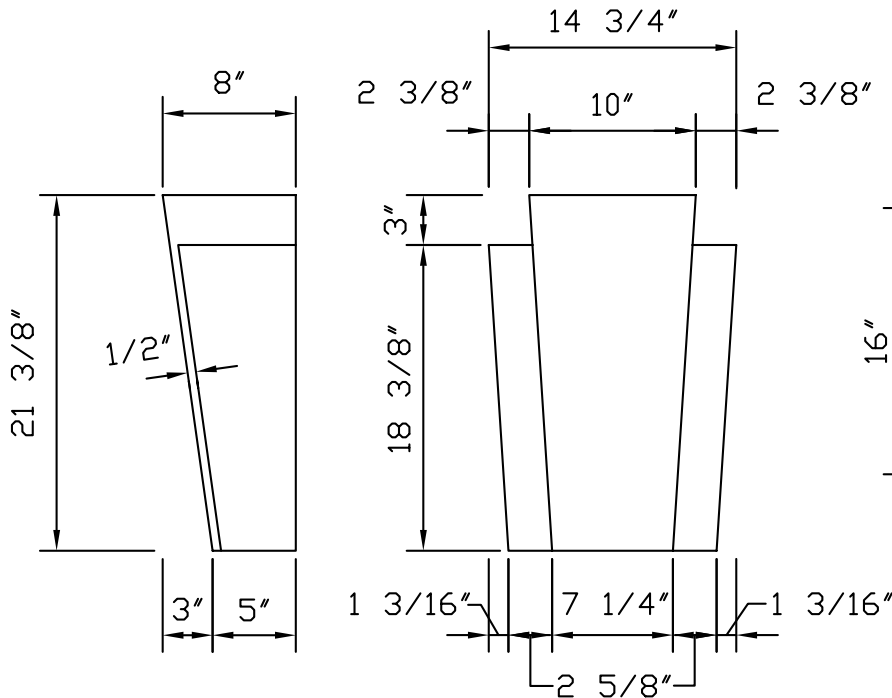
KEYS



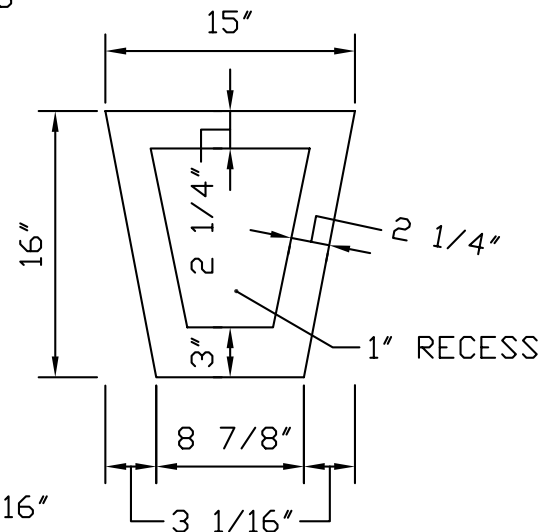
KBW-200
5" THICK



K-264
4 5/8" THICK



KBW-201



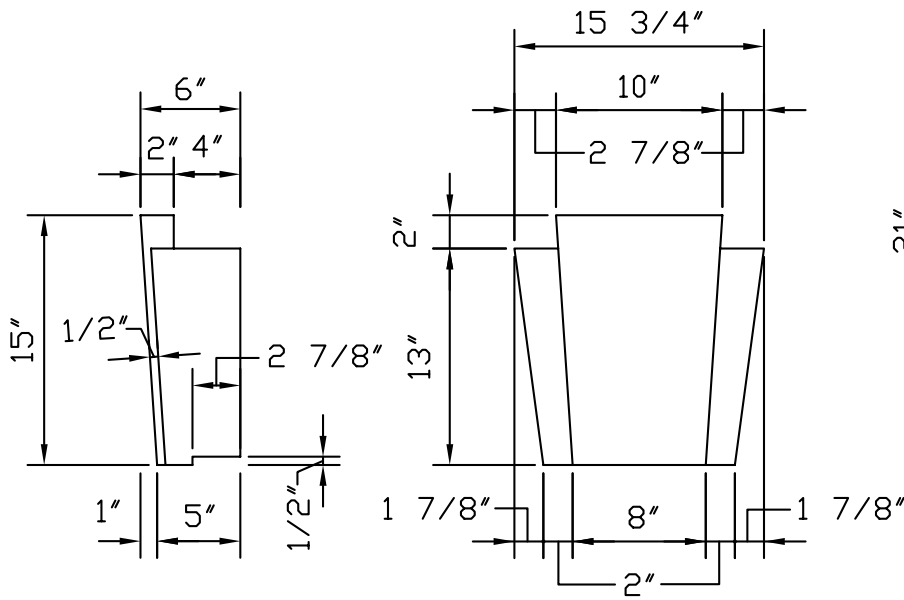
K-206
8" THICK



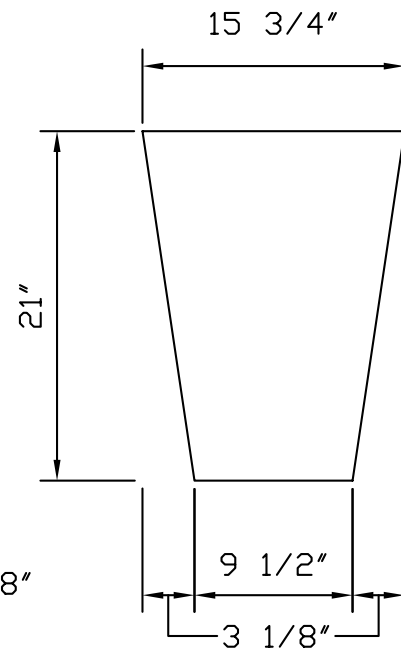
**OLDE WORLD
CAST STONE**

4280 WAYSIDE COURT LILBURN, GA. 30047. (770)921-9788. FAX 921-9910

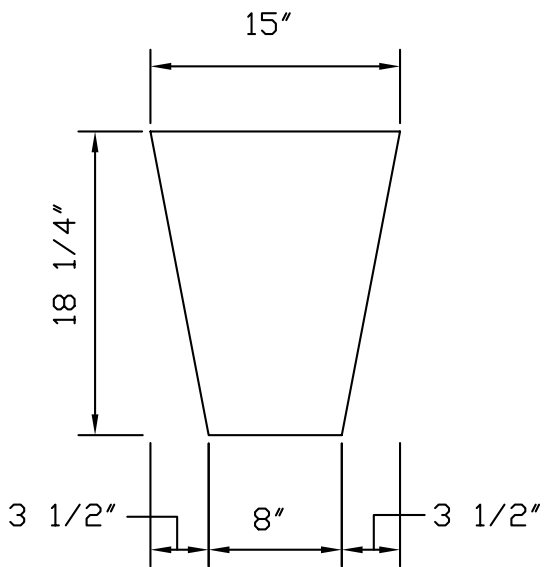
KEYS



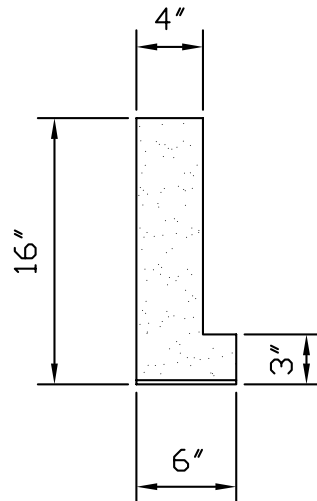
KBW-203



K-001-2115.5
6" THICK



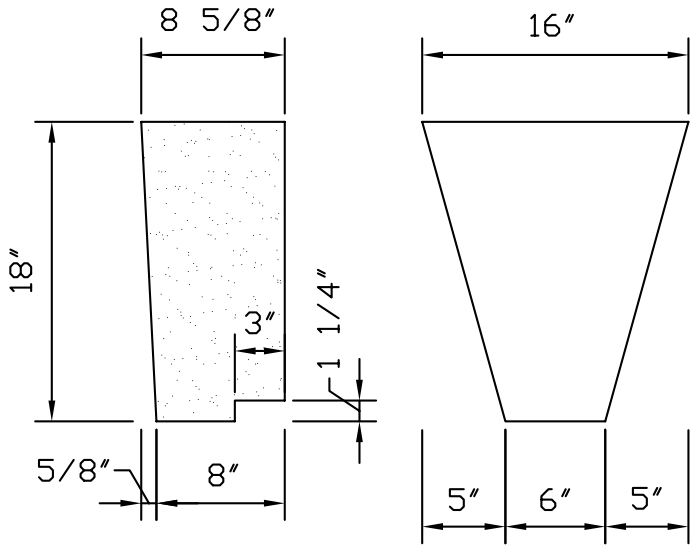
K-222-C
4" THICK



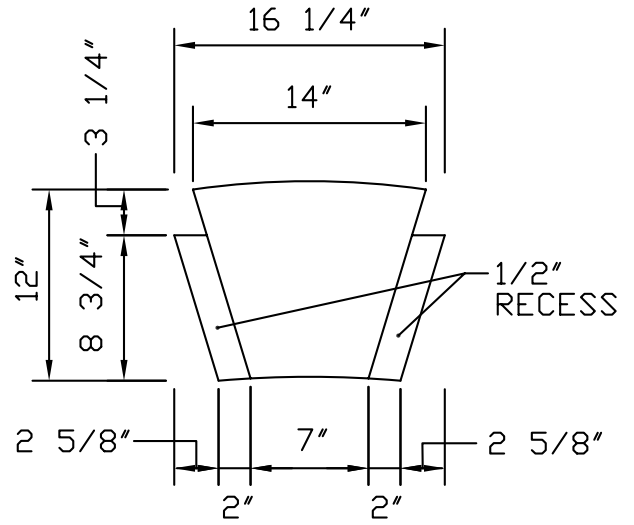
K-239
6" THICK



KEYS

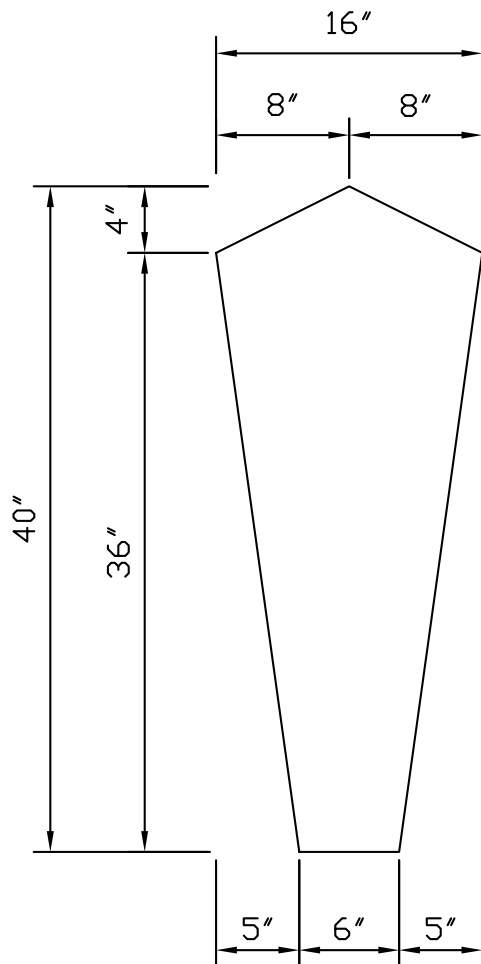


K-208



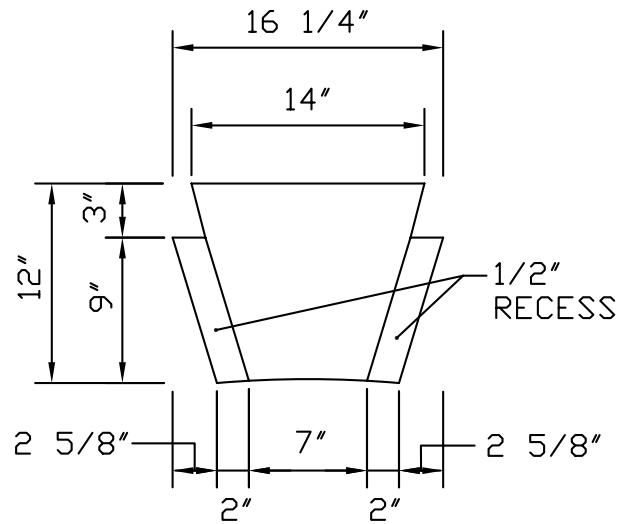
K-02-254

7" THICK



K-211

5 1/4" THICK



K-02-256

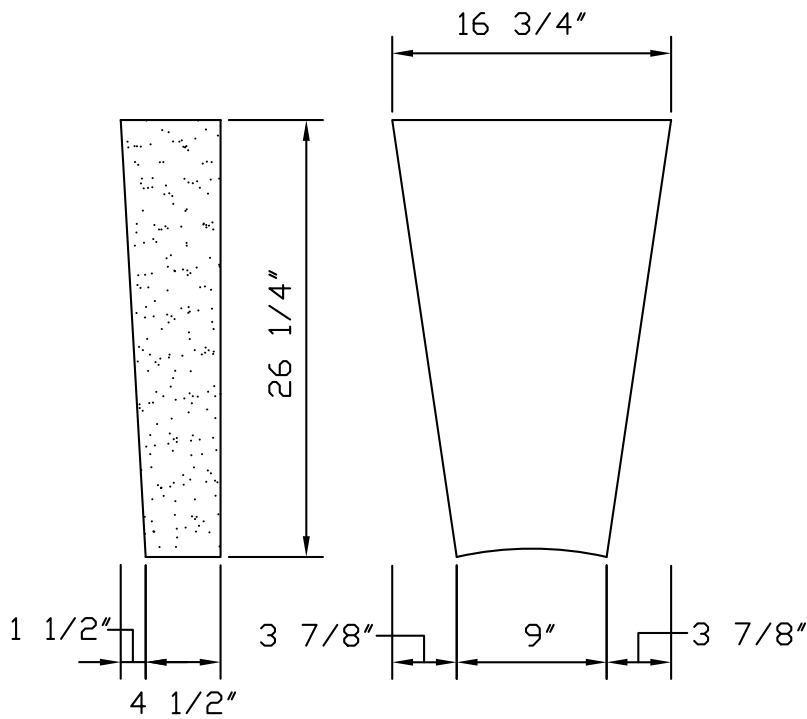
7" THICK



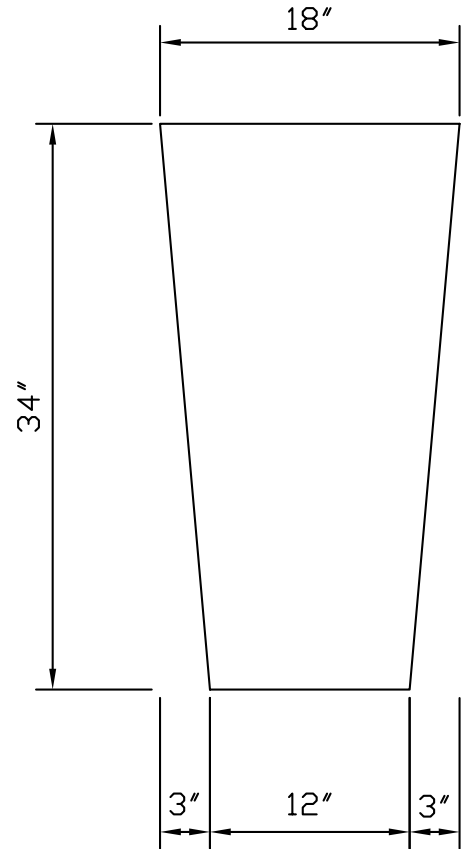
OLDE WORLD
CAST STONE

4280 WAYSIDE COURT LILBURN, GA. 30047. (770)921-9788. FAX 921-9910

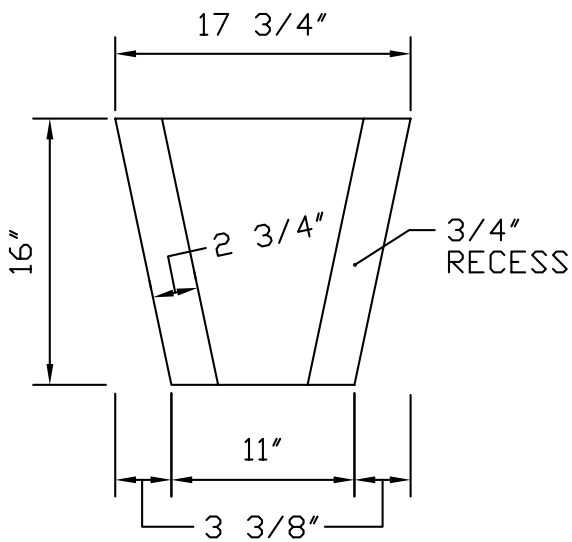
KEYS



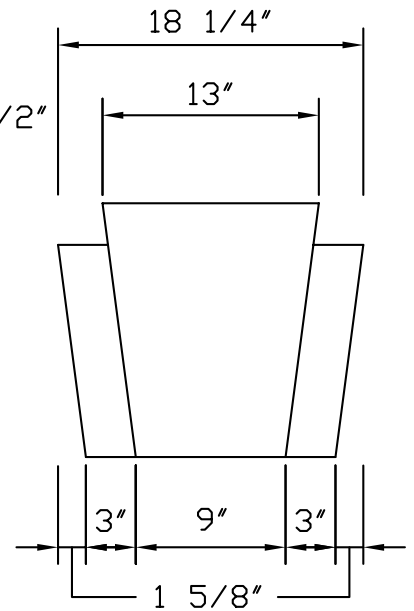
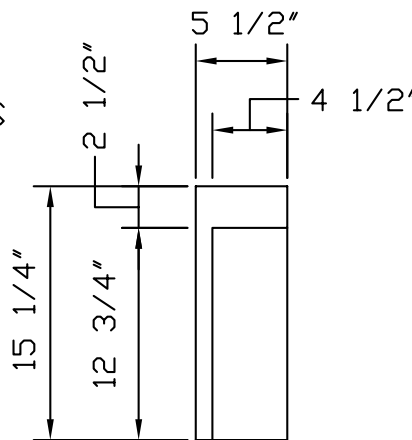
K-223-A



K-244
3 5/8" THICK



KBW-101-16.5-16
5 1/2" THICK



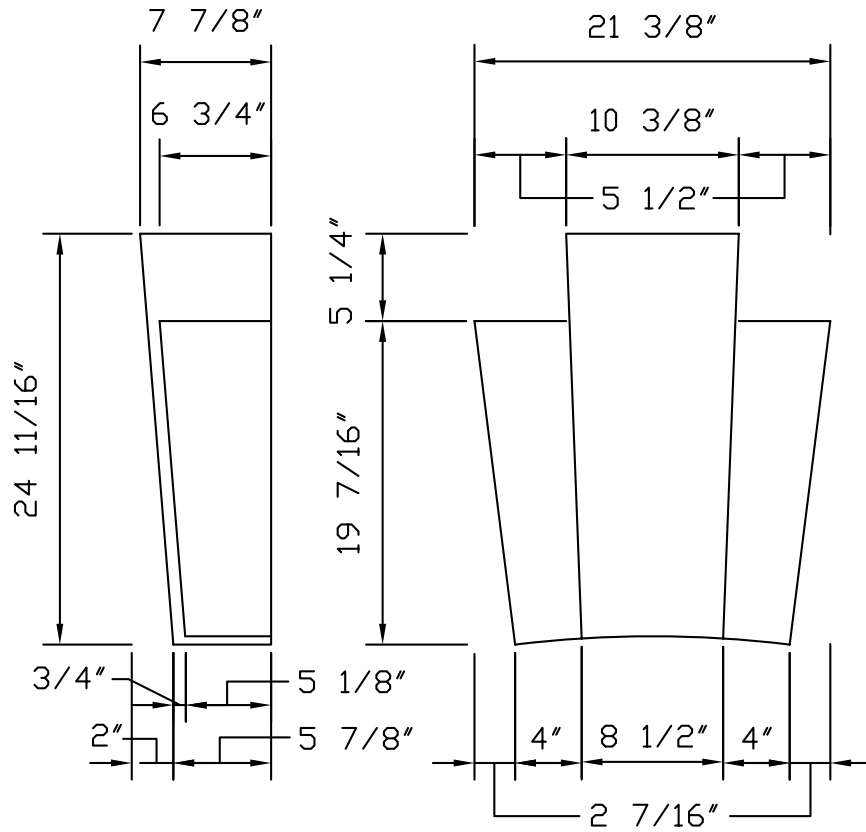
KBW-1



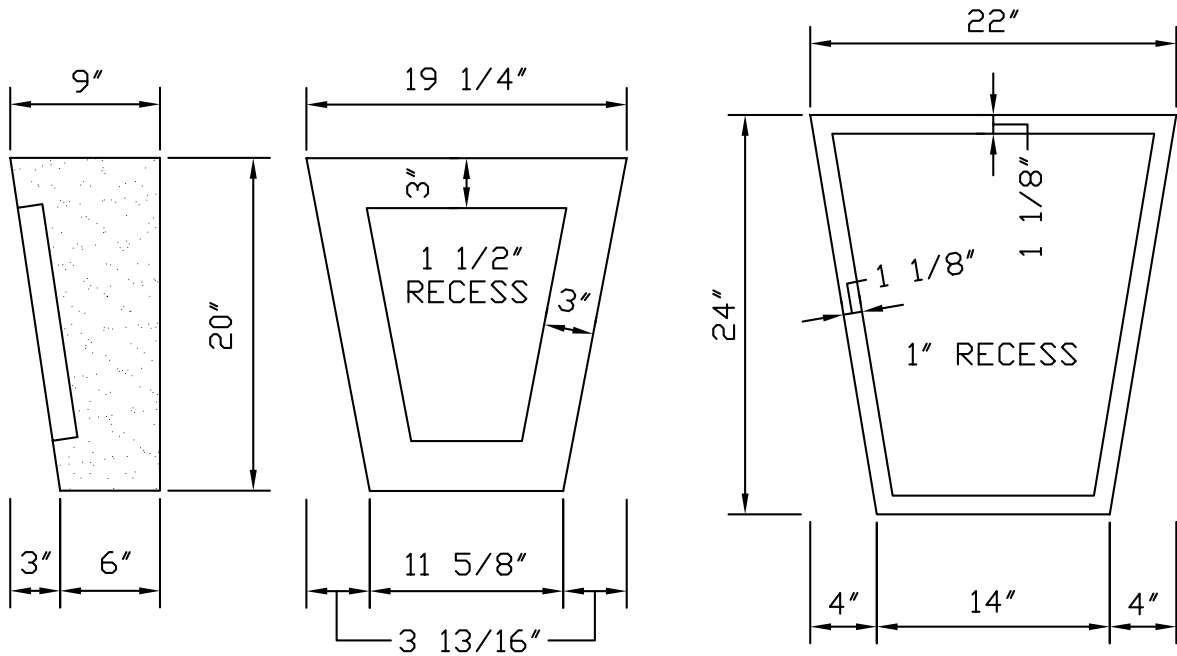
OLDE WORLD
CAST STONE

4280 WAYSIDE COURT LILBURN, GA. 30047. (770)921-9788. FAX 921-9910

KEYS



K-263



K-202-2020

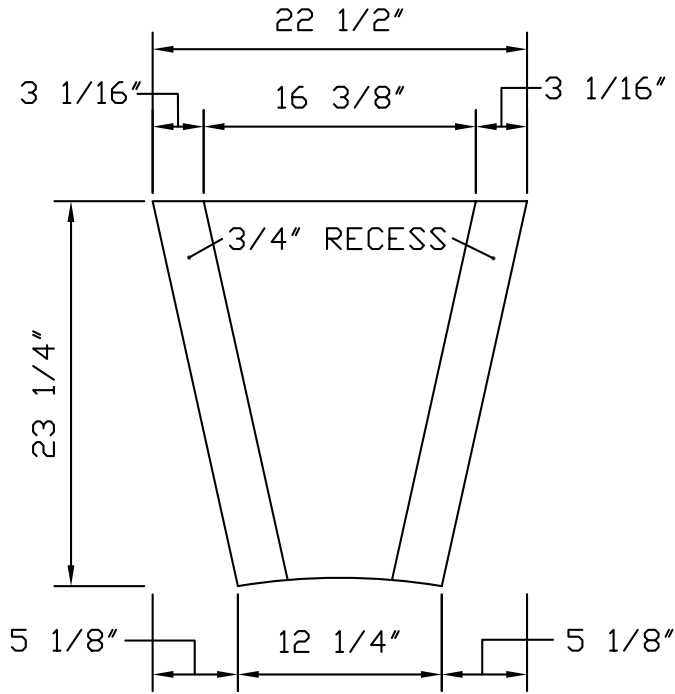
K-203-1422-24

5" THICK

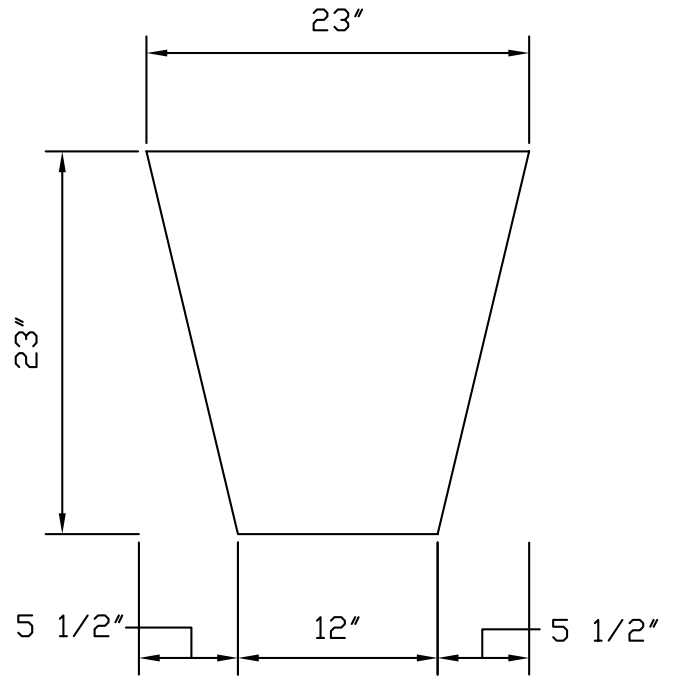


4280 WAYSIDE COURT LILBURN, GA. 30047. (770)921-9788. FAX 921-9910

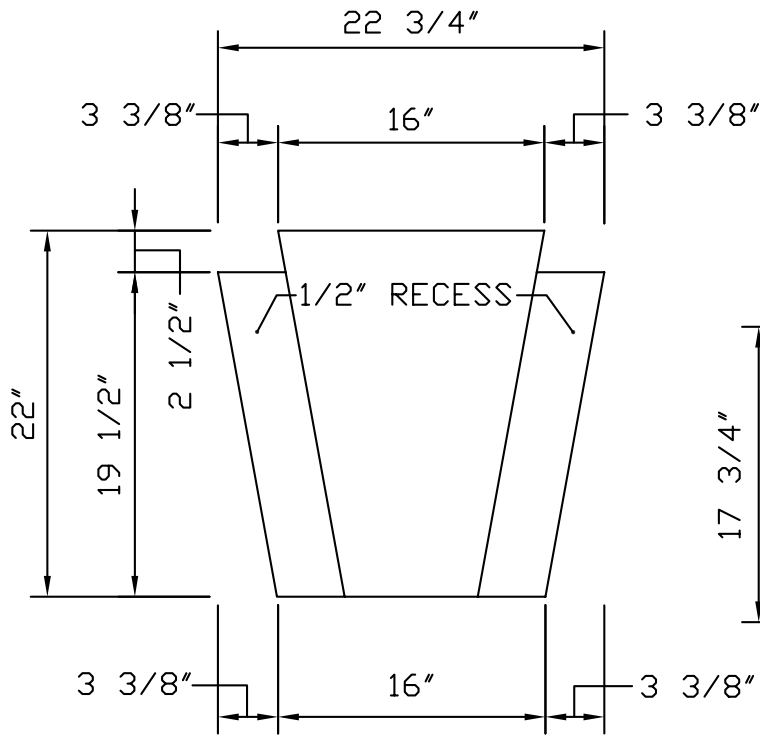
KEYS



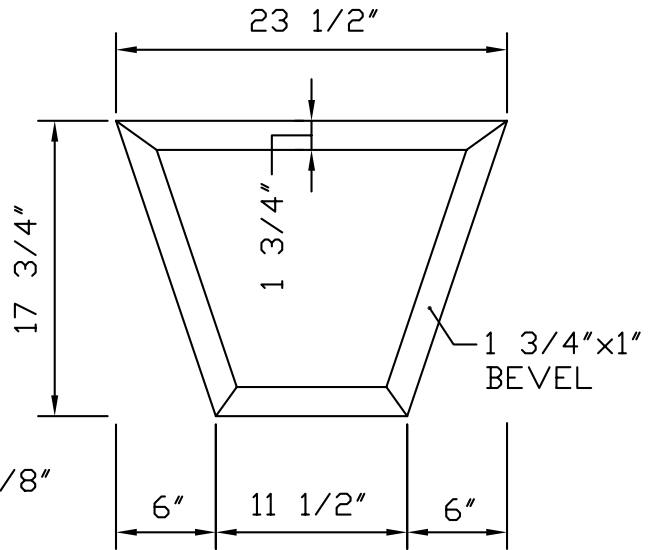
KBW-102
5" THICK



K-209
11" THICK



KBW-2224
4 1/2" THICK

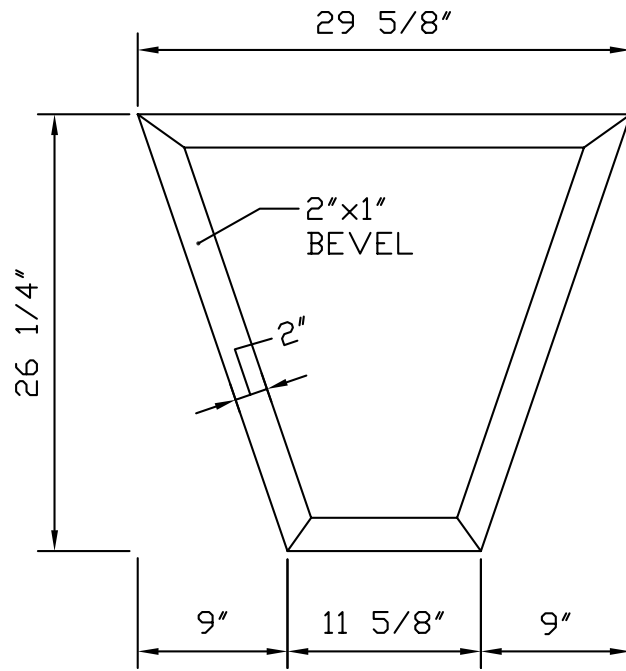


K-213
5" THICK

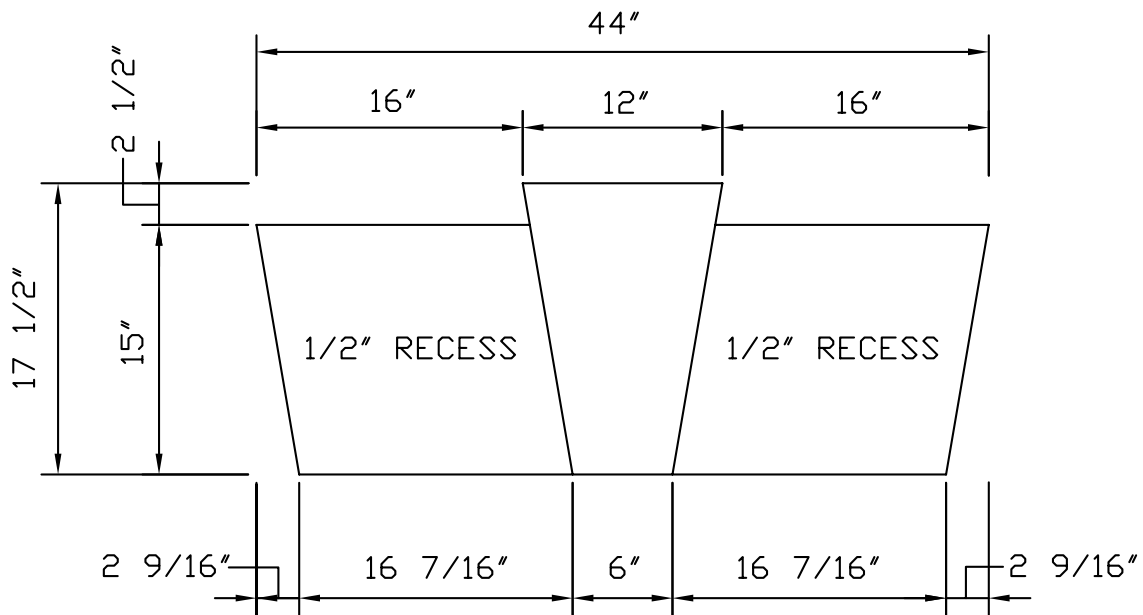


4280 WAYSIDE COURT LILBURN, GA. 30047. (770)921-9788. FAX 921-9910

KEYS



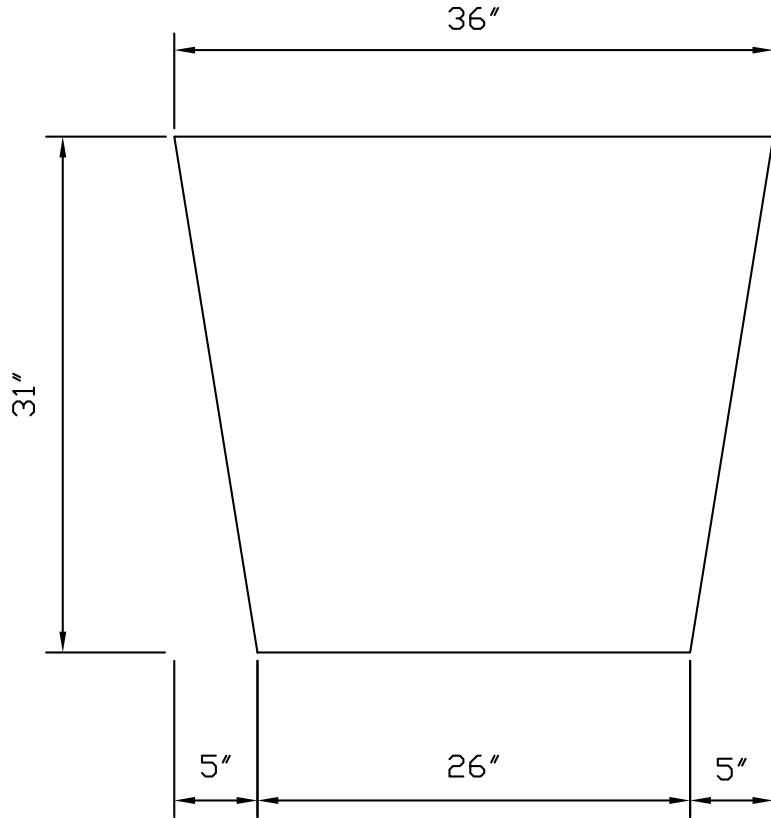
K-201, K-214
5" THICK



KBW-102-17.5|2-44
5" THICK



KEYS



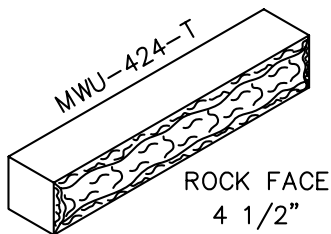
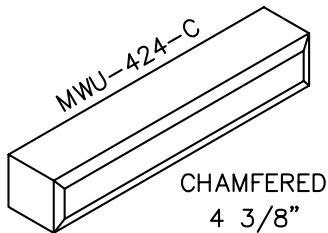
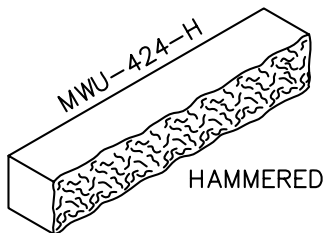
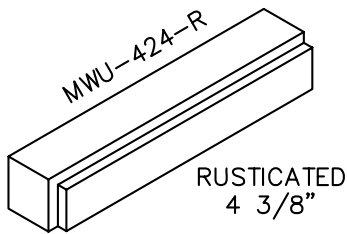
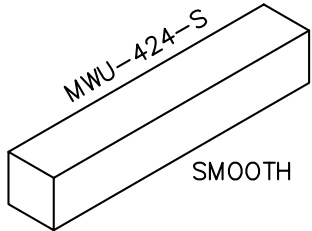
K-233
4" THICK



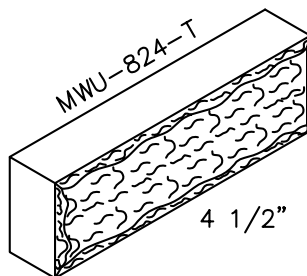
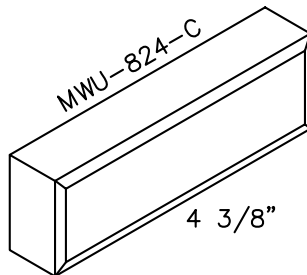
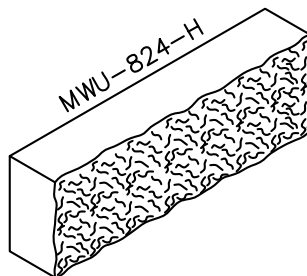
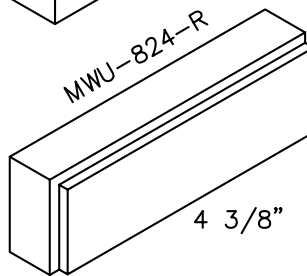
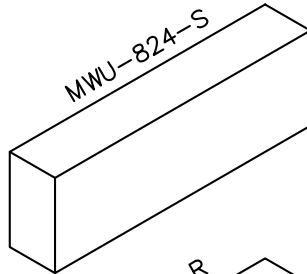
4280 WAYSIDE COURT LILBURN, GA. 30047. (770)921-9788. FAX 921-9910

Modular Wall Units

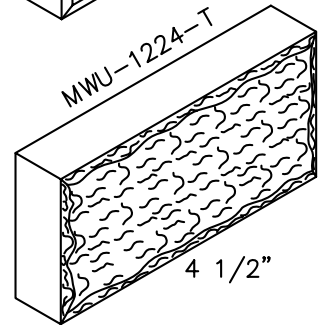
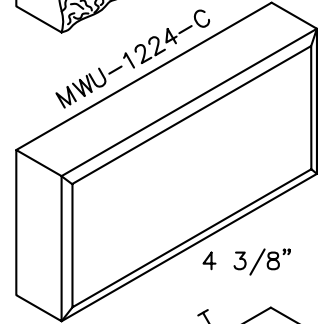
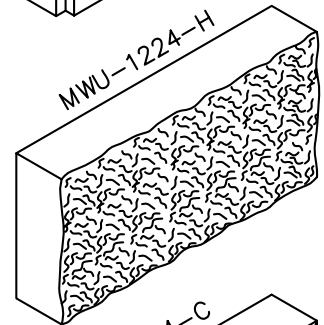
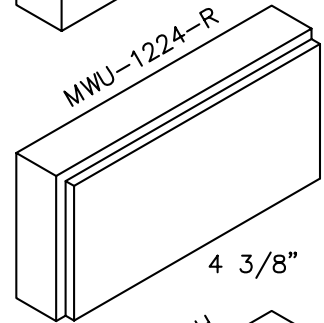
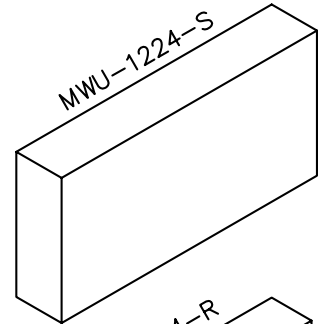
3 5/8" x 3 5/8" x 23 5/8"



3 5/8" x 7 5/8" x 23 5/8"

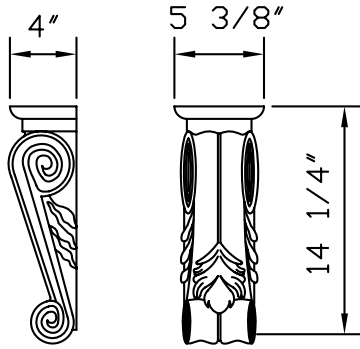


3 5/8" x 11 5/8" x 23 5/8"

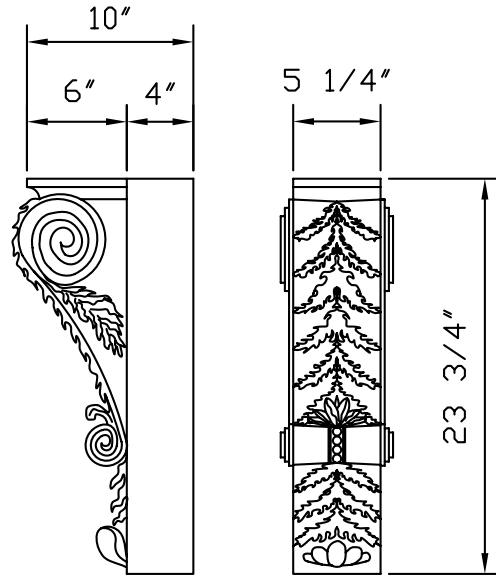


4280 WAYSIDE COURT LILBURN, GA. 30047. (770)921-9788. FAX 921-9910

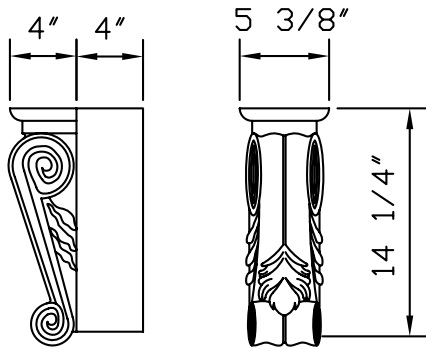
BRACKETS



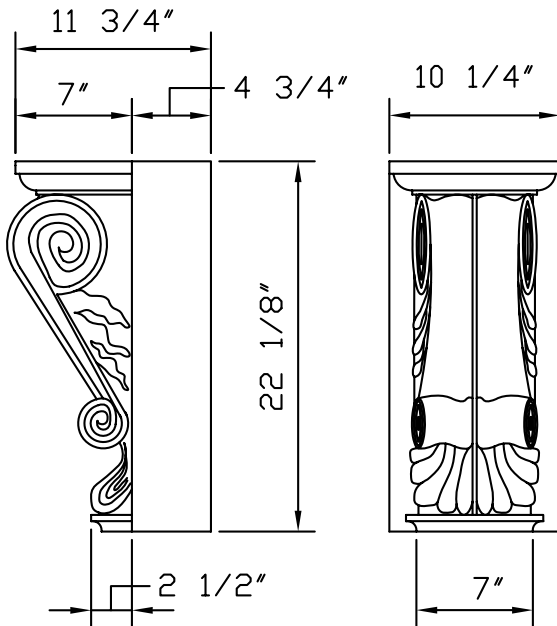
BK-302



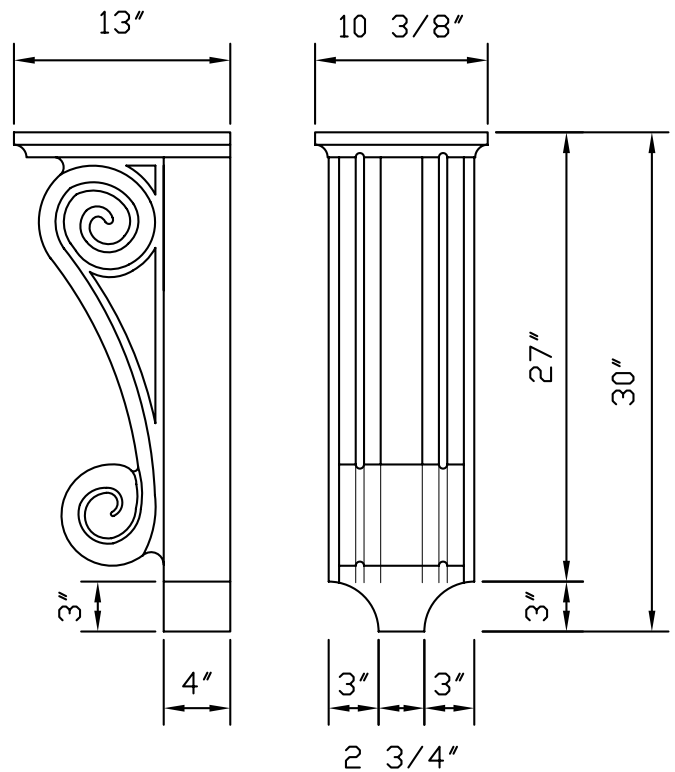
BK-2075



BK-404



BRK-411



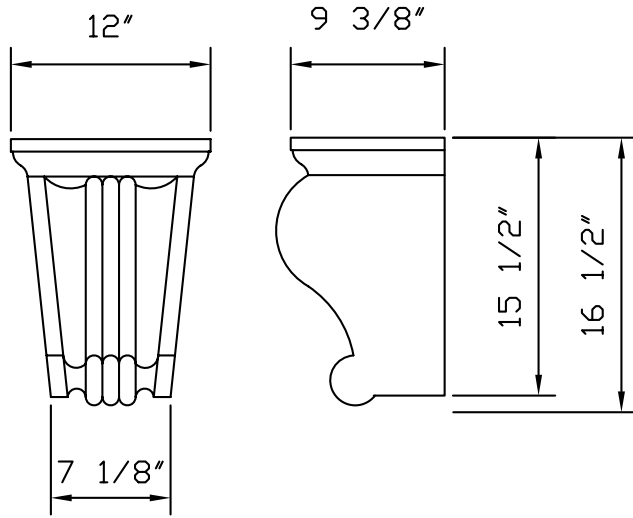
BRK-405



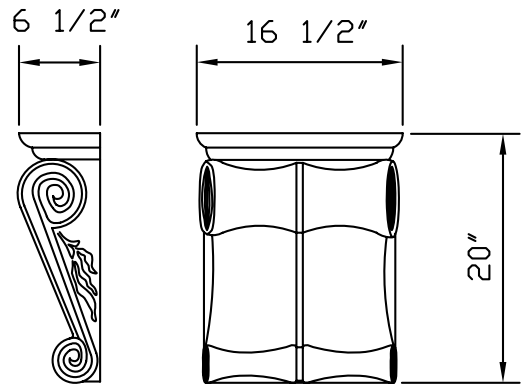
OLDE WORLD
CAST STONE

4280 WAYSIDE COURT LILBURN, GA. 30047. (770)921-9788. FAX 921-9910

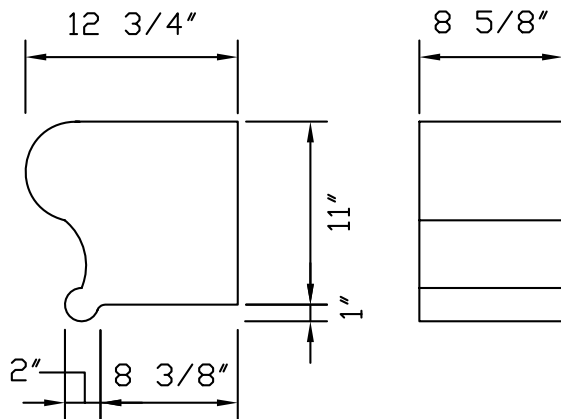
BRACKETS



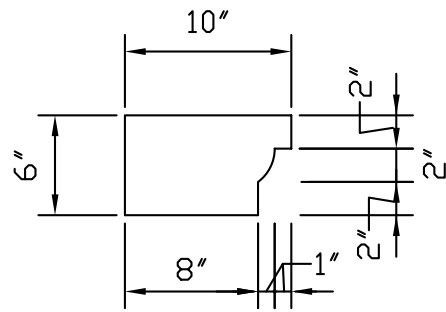
BRK-800



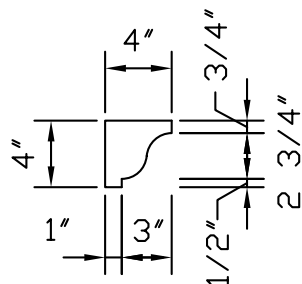
BRK-212



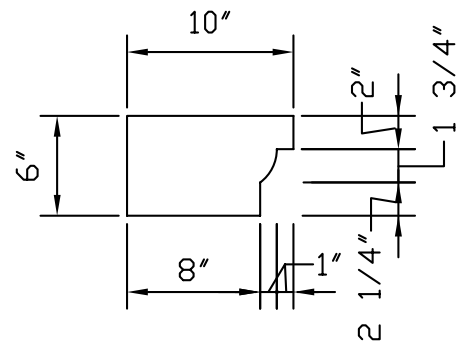
BRK-410



BK-101
4" THICK



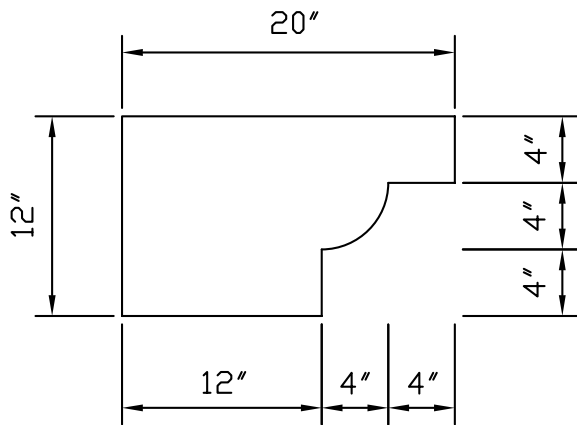
BK-02-301
6" THICK



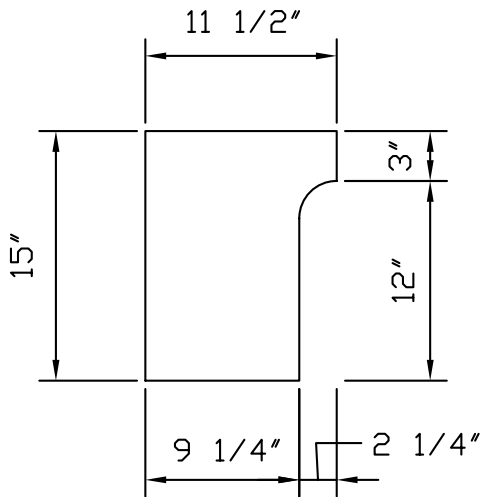
BK-601
4" THICK



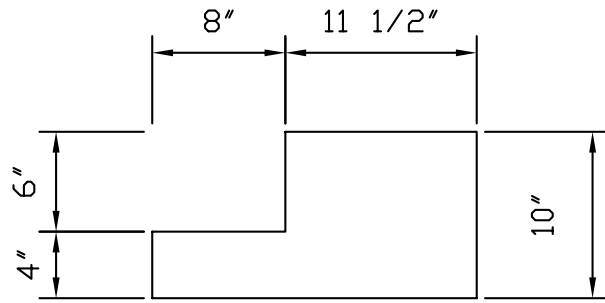
BRACKETS



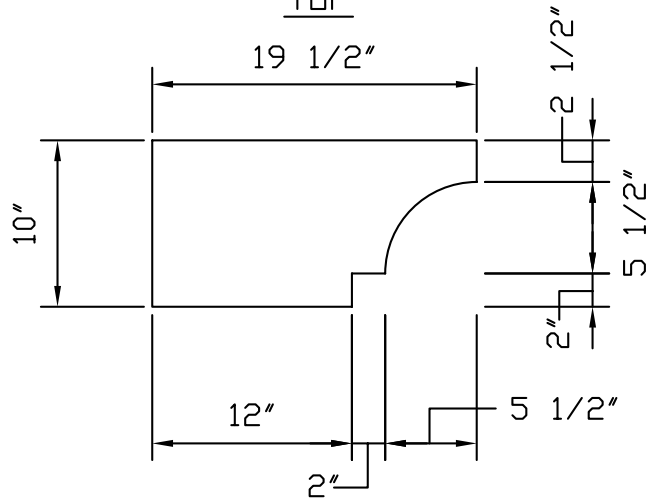
BRK-401-1212-20
12" THICK



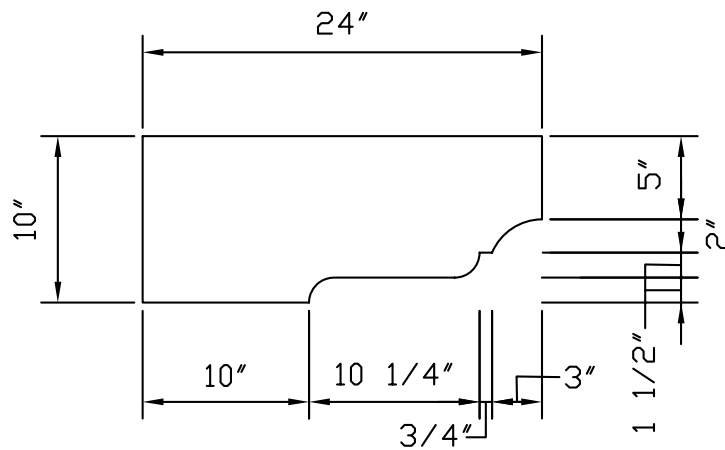
BRK-407
6" THICK



TOP



BK-02-300



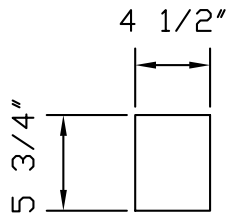
BOO1-5x24x10
5" THICK



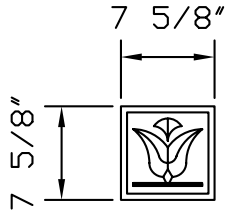
OLDE WORLD
CAST STONE

4280 WAYSIDE COURT LILBURN, GA. 30047. (770)921-9788. FAX 921-9910

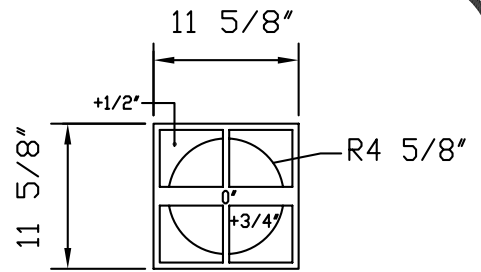
MEDALLIONS



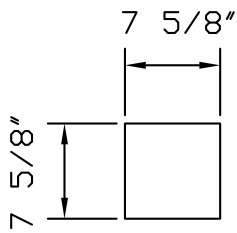
MD-509
4 1/2" THICK



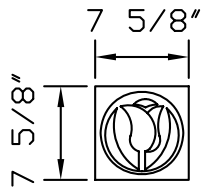
MD-574
1 3/4" THICK



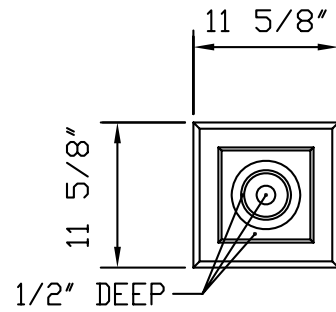
MD-518
4" THICK



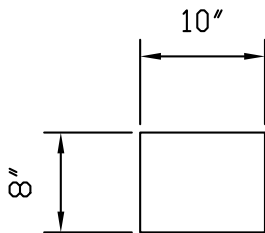
MD-513
4" THICK



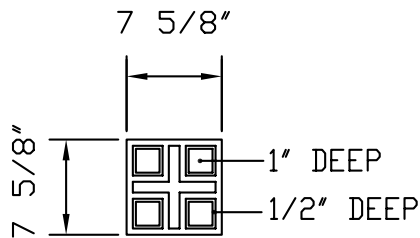
MD-574
3 1/2" THICK



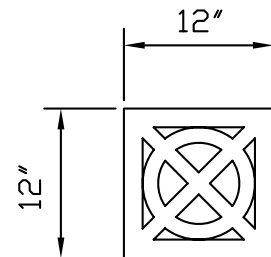
MD-559
4 3/8" THICK



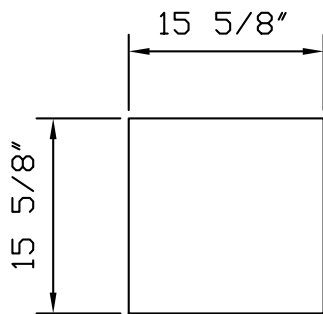
MD-508-0810
6" THICK



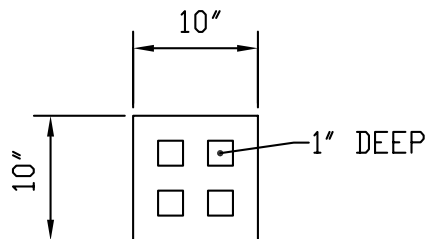
MD-531
3 5/8" THICK



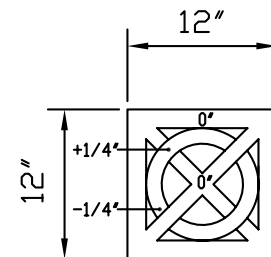
MD-538-2
2" THICK



MD-558
3 5/8" THICK



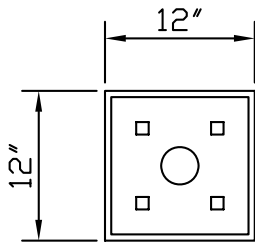
MD-530
4" THICK



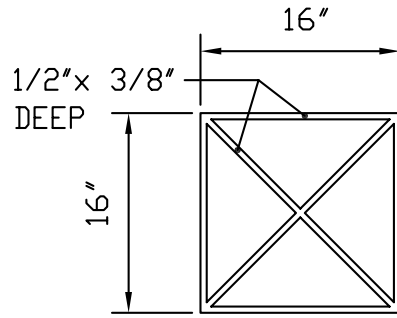
MD-538-1
2 1/4" THICK



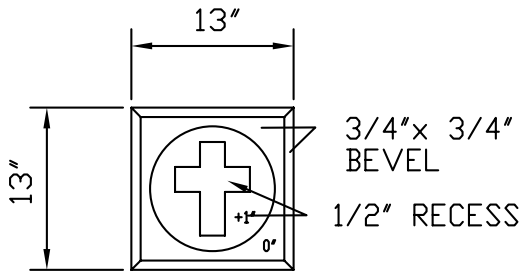
MEDALLIONS



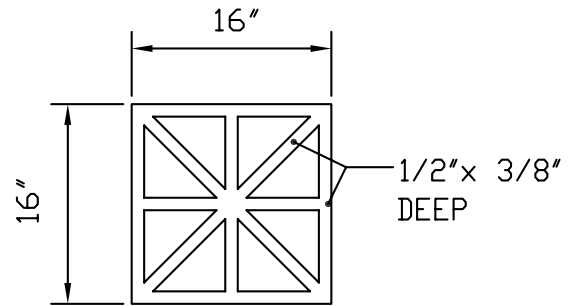
MD-564
3 5/8" THICK



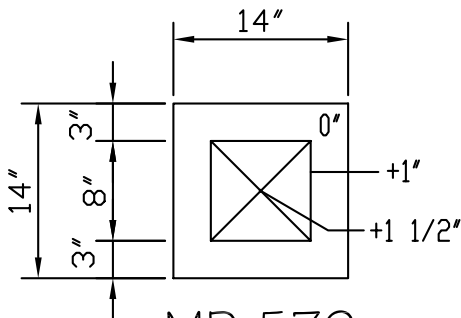
MD-545
4" THICK



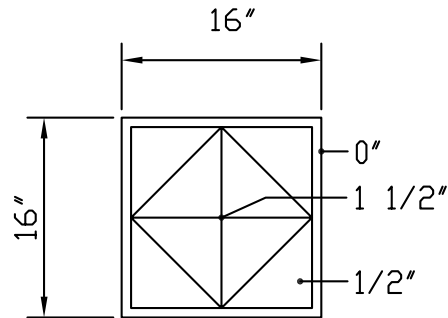
MD-511
4 1/2" THICK



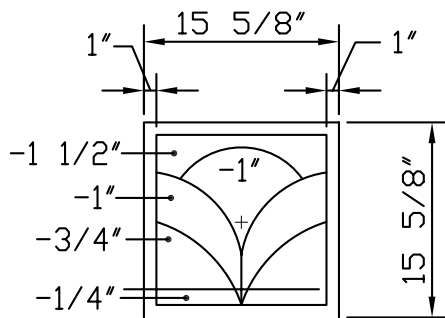
MD-568
4" THICK



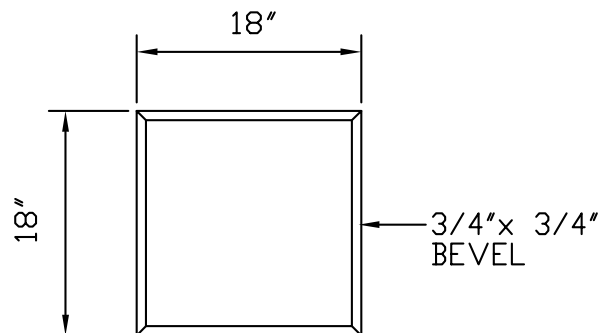
MD-570
4" THICK



MD-512
7 1/2" THICK



MD-534
4" THICK

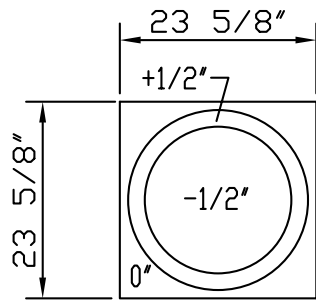


MD-507-1818
4" THICK

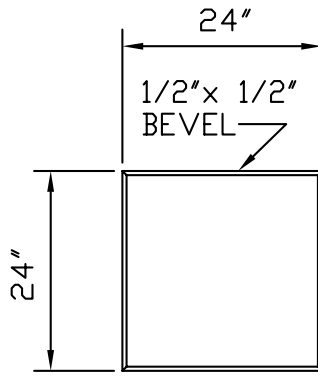


4280 WAYSIDE COURT LILBURN, GA. 30047. (770)921-9788. FAX 921-9910

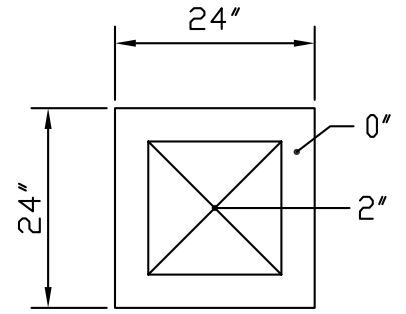
MEDALLIONS



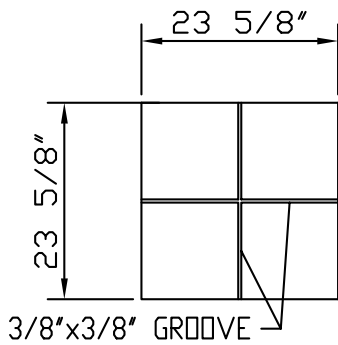
MD-516-1
5" THICK



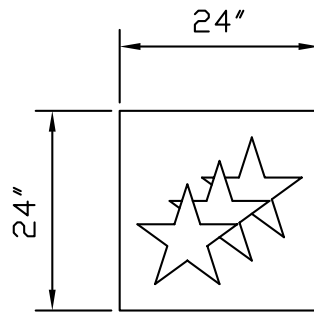
MD-503-04-2424
4" THICK



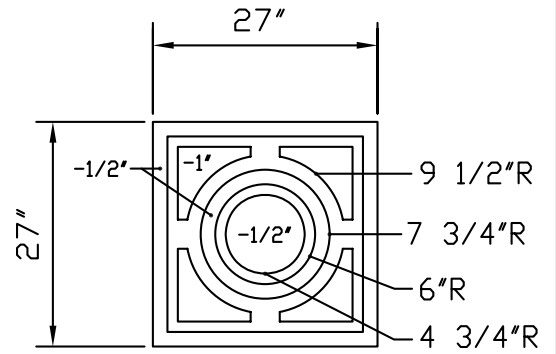
MD-529
5" THICK



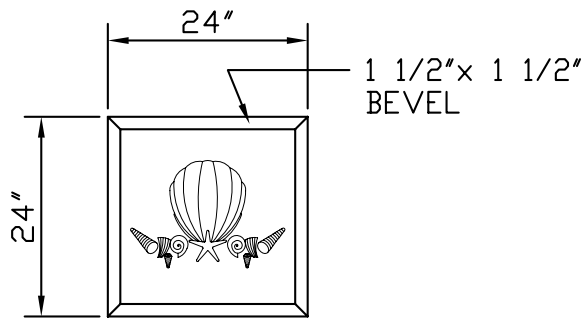
MD-571
4" THICK



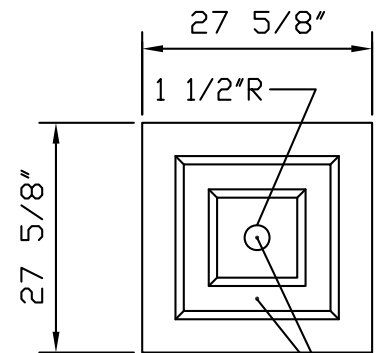
MD-562
4" THICK



MD-20258-A1
4" THICK



PN-125
3 1/2" THICK

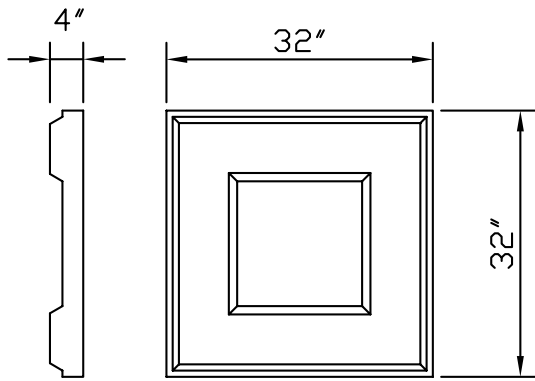


MD-560
3 5/8" THICK

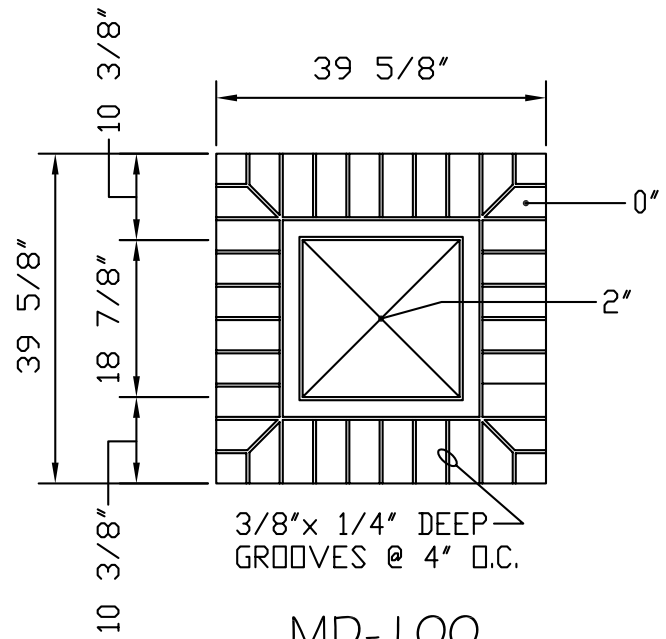


4280 WAYSIDE COURT LILBURN, GA. 30047. (770)921-9788. FAX 921-9910

MEDALLIONS

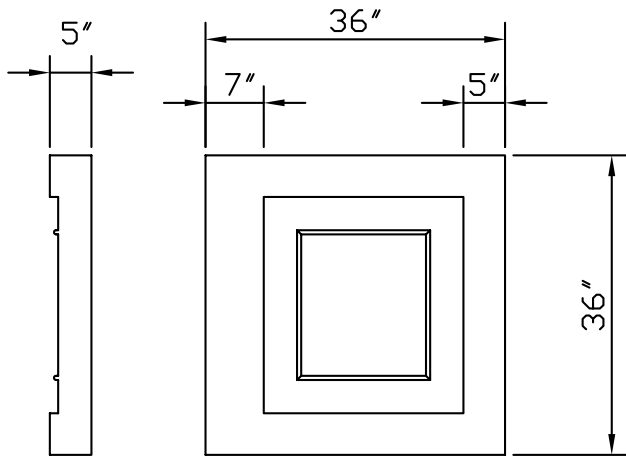


MD-557

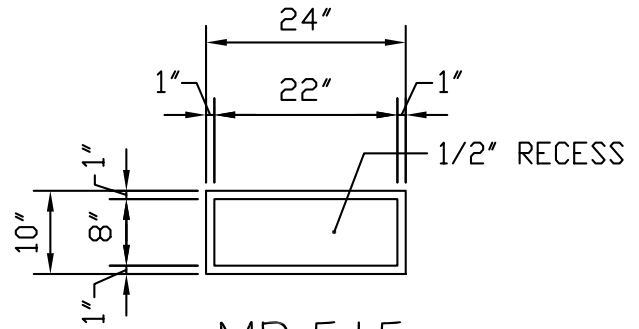


MD-100

5 5/8" THICK

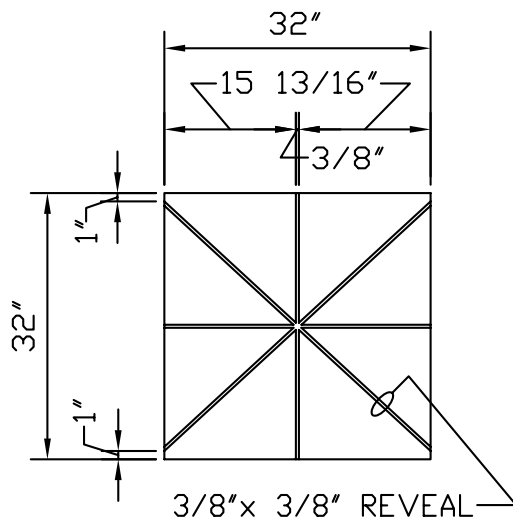


MD-556



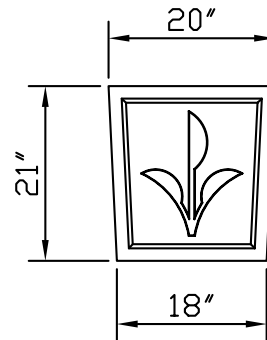
MD-515

4" THICK



MD-536

3 5/8" THICK



MD-525

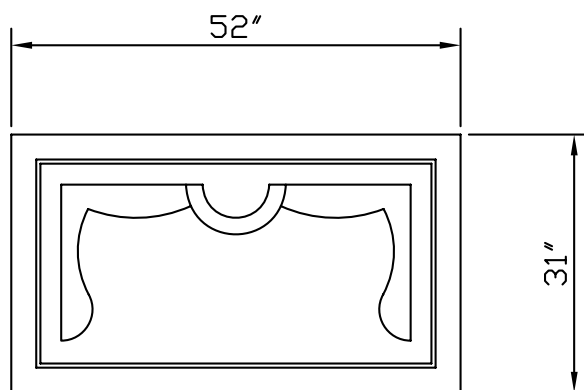
4" THICK



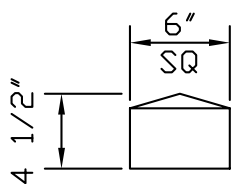
OLDE WORLD
CAST STONE

4280 WAYSIDE COURT LILBURN, GA. 30047. (770)921-9788. FAX 921-9910

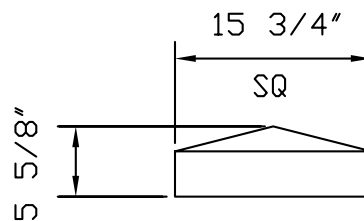
MEDALLIONS



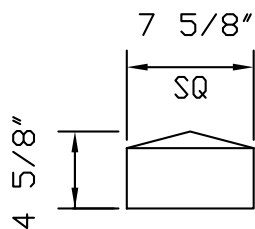
MD-555
3 5/8" THICK



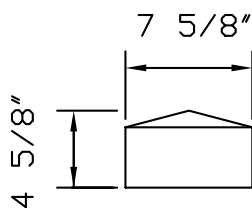
MD-501-0606



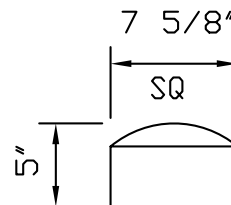
MD-520



MD-535
MD-551



MD-548
5" THICK

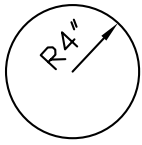


MD-528

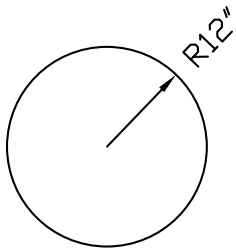


4280 WAYSIDE COURT LILBURN, GA. 30047. (770)921-9788. FAX 921-9910

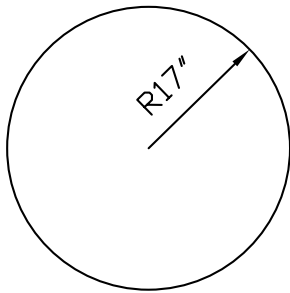
MEDALLIONS



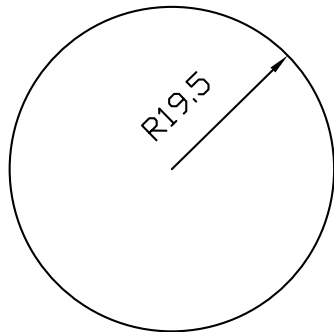
MD-554
3 5/8" THICK



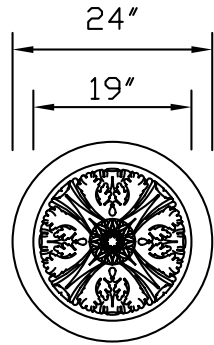
MD-516-2
4 1/4" THICK



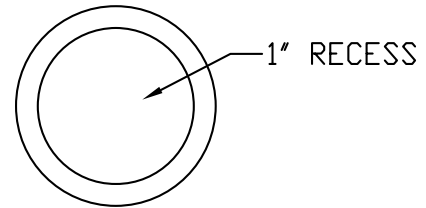
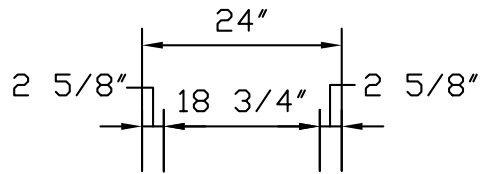
MD-527
6" THICK



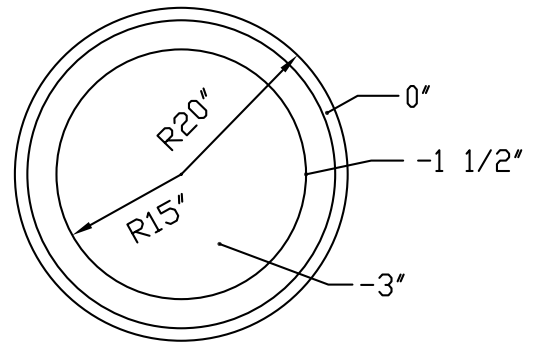
MD-542
4 1/4" THICK



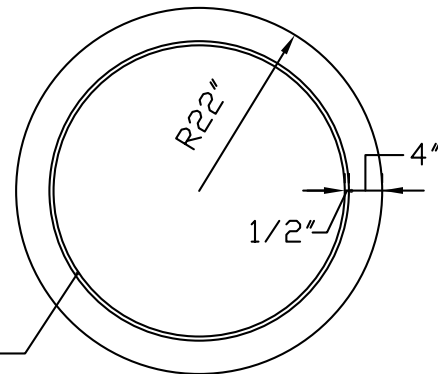
MD-24-3.5
3 1/2" THICK



MD-100-24x3.5
3 1/2" THICK



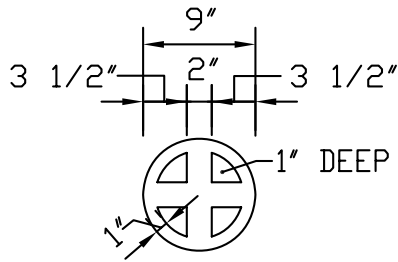
MD-517
6 5/8" THICK



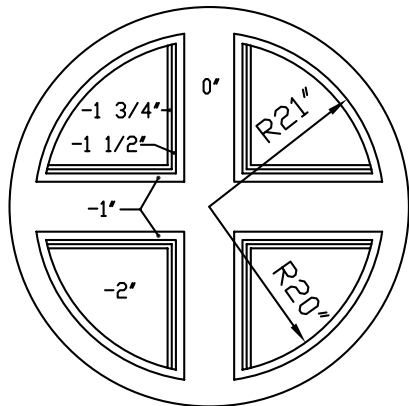
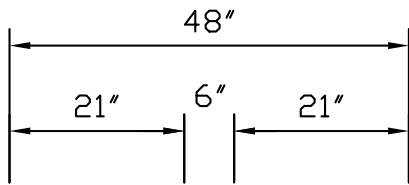
MD-506-04-44DIA
4" THICK



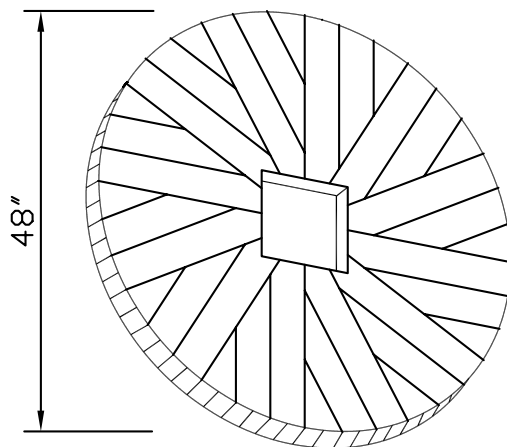
MEDALLIONS



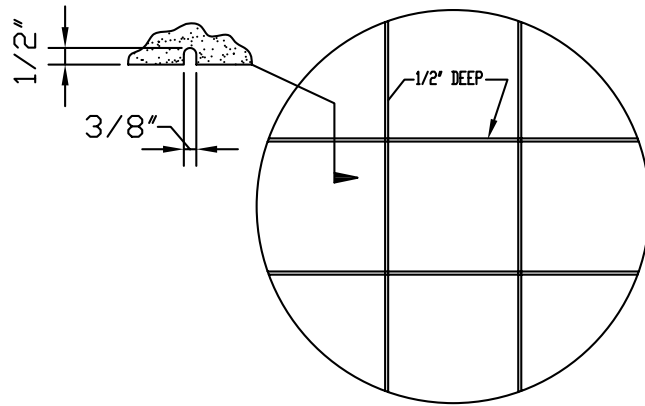
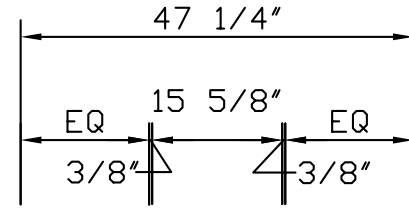
MD-537
3 5/8" THICK



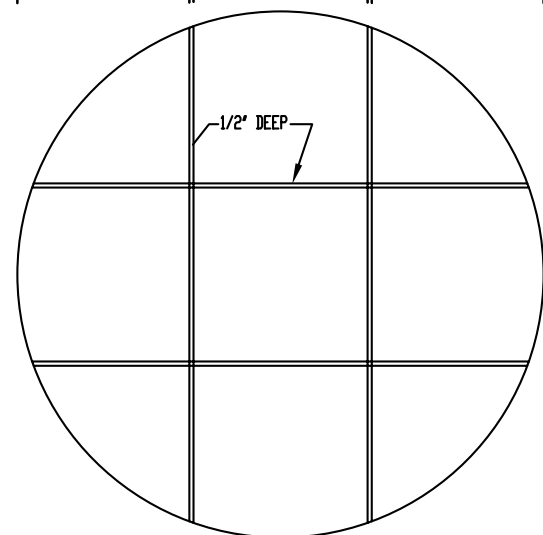
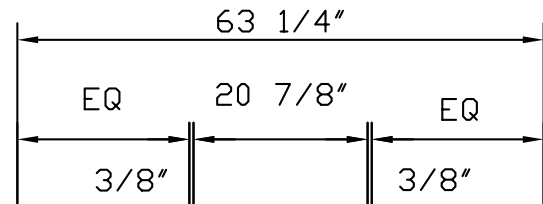
MD-532
4" THICK



MS-101-0348
3" THICK



MD-540-R24
3 3/4" THICK



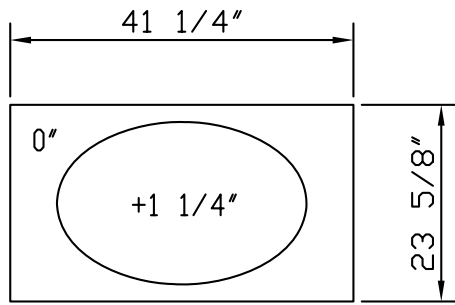
MD-540-R32
4 1/2" THICK



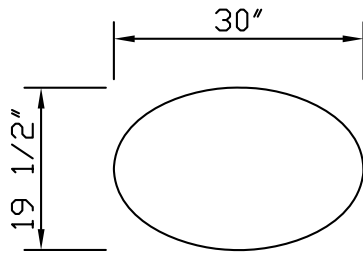
OLDE WORLD
CAST STONE

4280 WAYSIDE COURT LILBURN, GA. 30047. (770)921-9788. FAX 921-9910

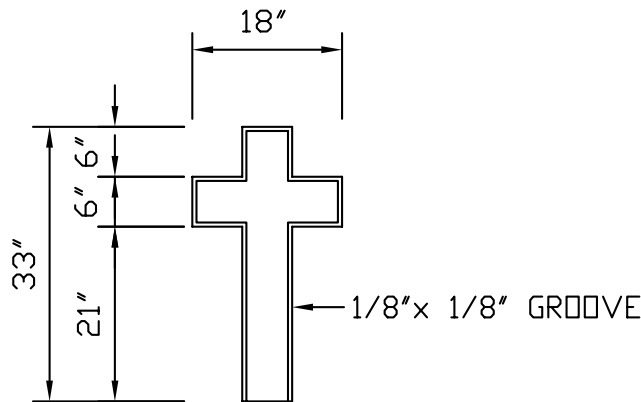
MEDALLIONS



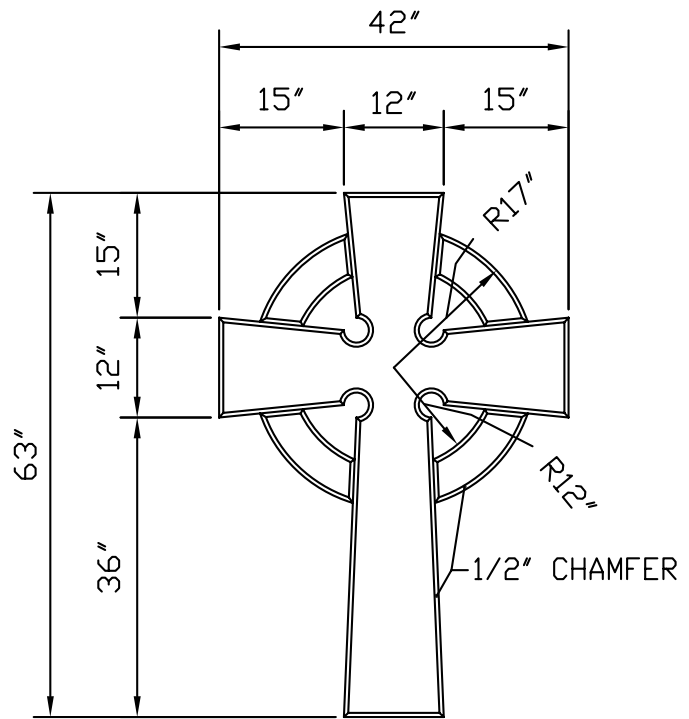
MD-550
5 1/4" THICK



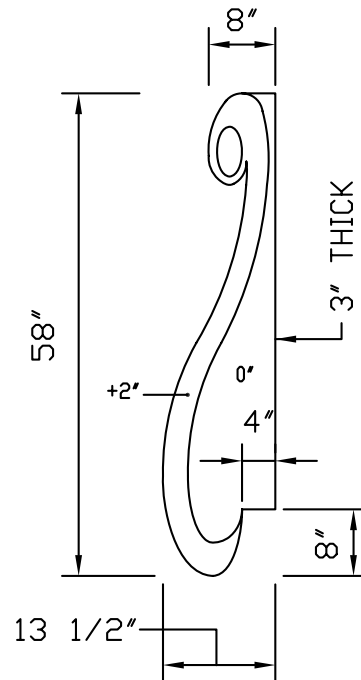
MD-549
4 5/8" THICK



MD-510
3" THICK



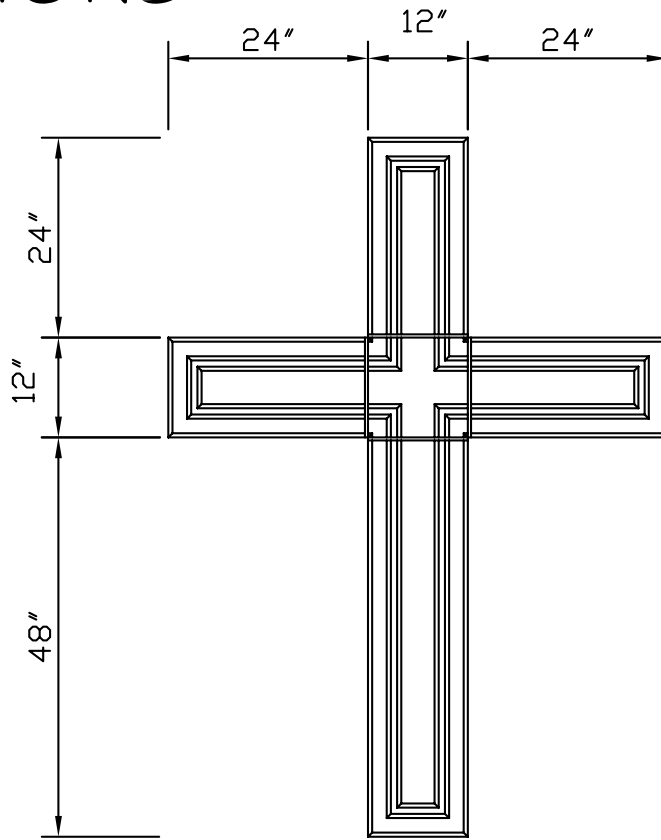
MD-526
4" THICK



MD-522-L
MD-522-R (OPP HD)



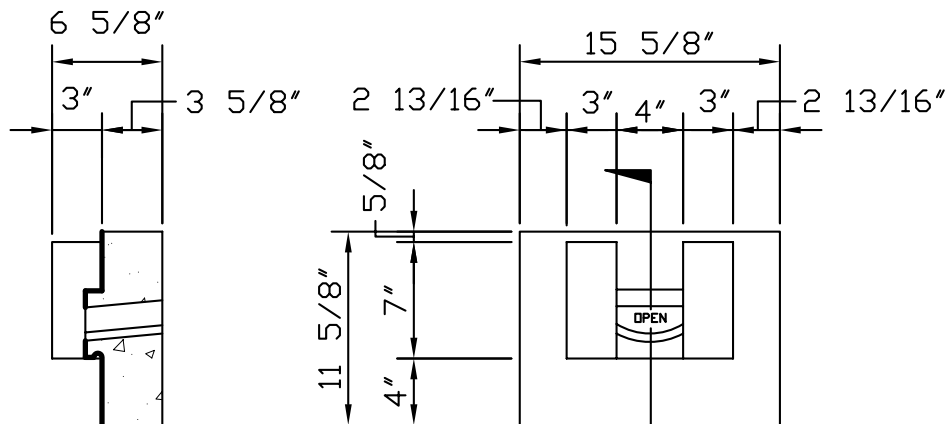
MEDALLIONS



CROSS

OVERALL SIZE OF CROSS MAY VARY BY
ADDING STRAIGHT PIECES OR BLOCKOUTS.

SCUPPER

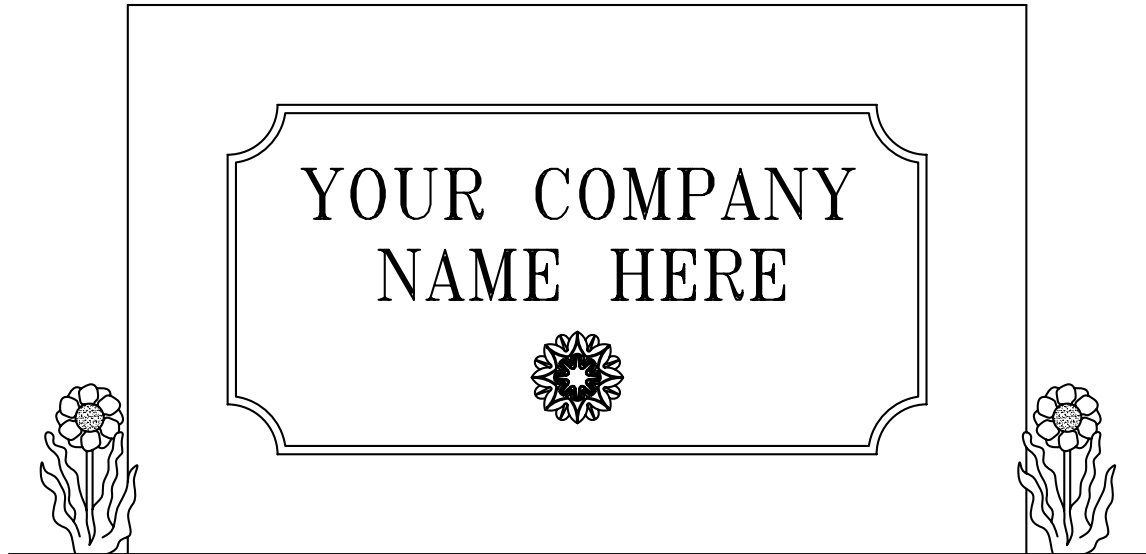


① SECTION

SC-1



SIGN PANELS & PLAQUES

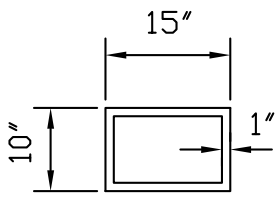


1. LETTERING FOR ALL SIGNS CAN BE SANDBLASTED OR "V" CUT THEN PAINTED OR LEFT UNFINISHED.
2. ADDRESSES, LOGO'S, IMAGES, NAMES OR MULTI COLOR BACK GROUNDS INVOLVE CUSTOM SERVICES AND REQUIRE DETAILED INFORMATION OF TEXT OR ARTWORK ON "CAD" FILES OR FULL SIZE GRAPHIC LAYOUTS OF LETTERING OR ARTWORK.
3. ALL PRICING IS BASED ON DIFFICULTY OF DESIGN, PAINTING IF REQUIRED AND ACTUAL SIZE TO BE MANUFACTURED.

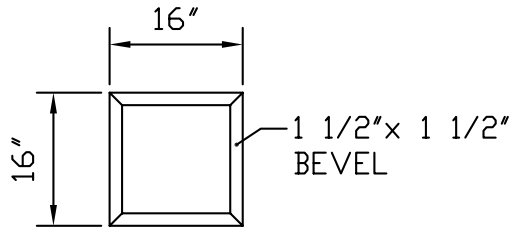


4280 WAYSIDE COURT LILBURN, GA. 30047. (770)921-9788. FAX 921-9910

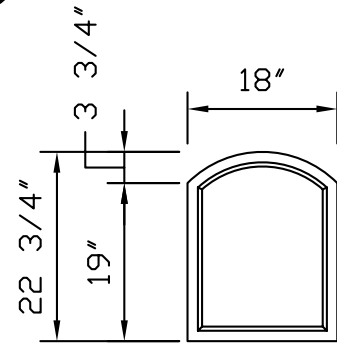
SIGN PANELS & PLAQUES



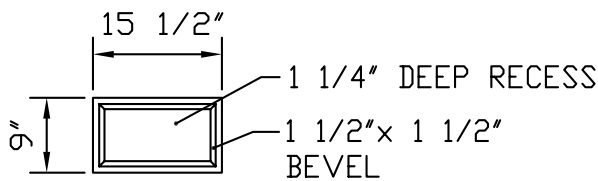
SN-154
3" THICK



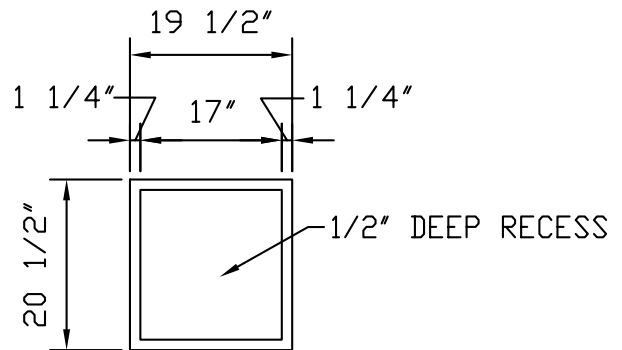
SN-120
5 1/2" THICK



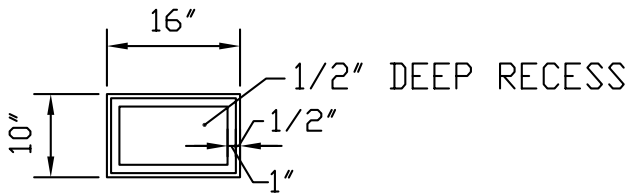
SN-111-1823
2 1/2" THICK



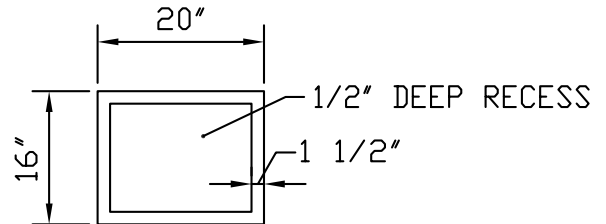
SN-131
3 5/8" THICK



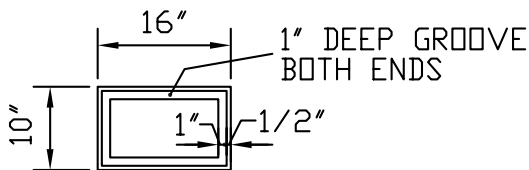
SN-150
3" THICK



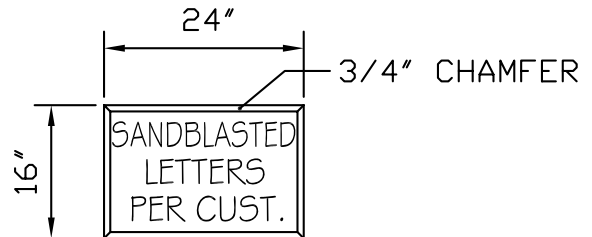
SN-124
7 7/8" THICK



SN-105-1620
2 1/2" THICK



SN-145
16" THICK



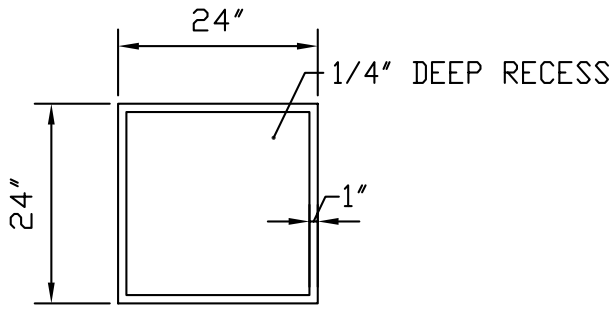
SN-132
4 3/4" THICK



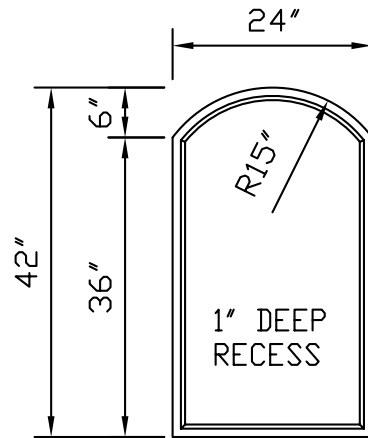
ALL LETTERING FOR ANY
SIGN AS PER CUSTOMER

4280 WAYSIDE COURT LILBURN, GA. 30047. (770)921-9788. FAX 921-9910

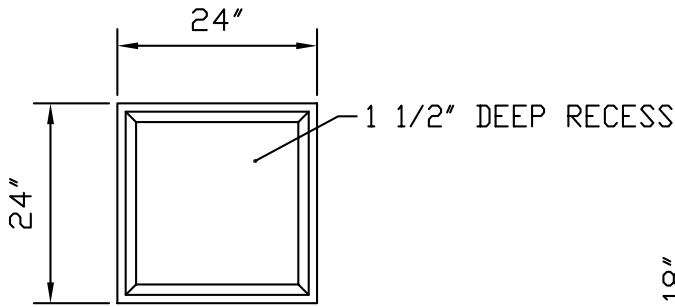
SIGN PANELS & PLAQUES



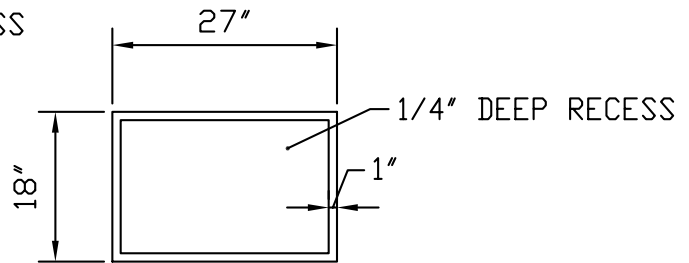
SN-126
3" THICK



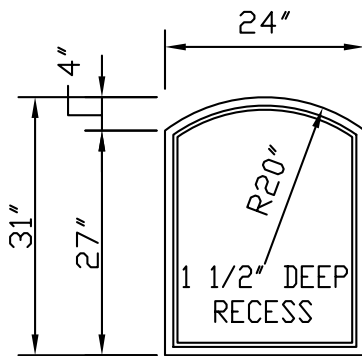
SN-144
3 3/4" THICK



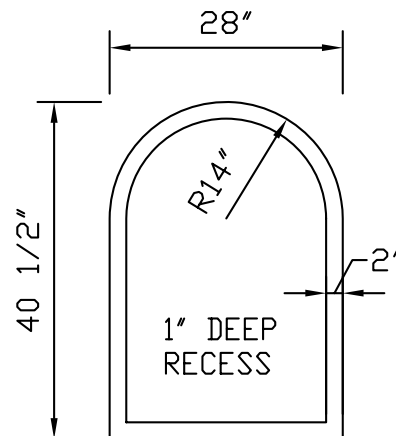
SN-142
3" THICK



SN-107
3 5/8" THICK



SN-157
4" THICK



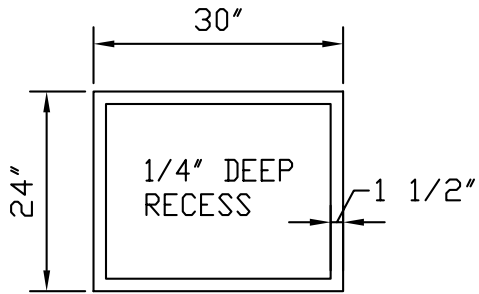
SN-143
4" THICK



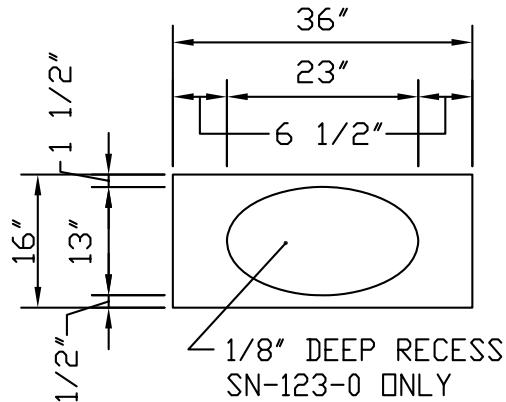
ALL LETTERING FOR ANY
SIGN AS PER CUSTOMER

4280 WAYSIDE COURT LILBURN, GA. 30047. (770)921-9788. FAX 921-9910

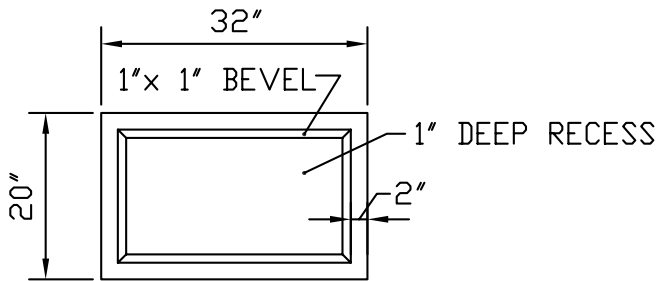
SIGN PANELS & PLAQUES



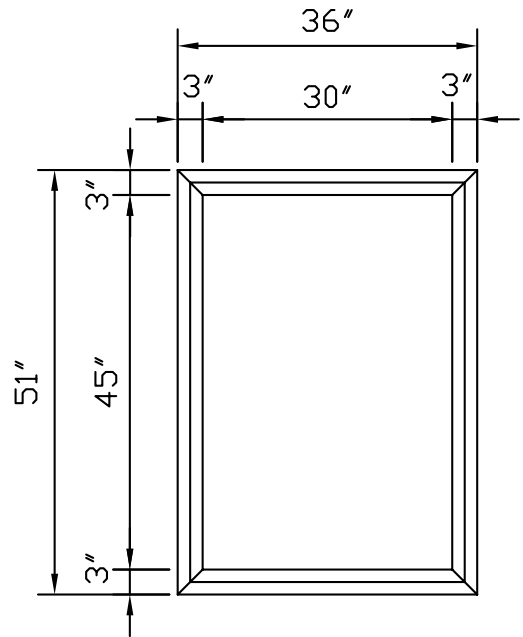
SN-121
6" THICK



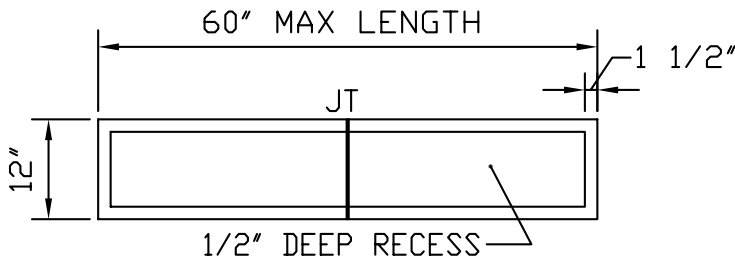
1/8" DEEP RECESS
SN-123-0 ONLY
SN-123, SN-123-0
2 1/2" THICK



SN-160
4 5/8" THICK



SN-130
5" THICK



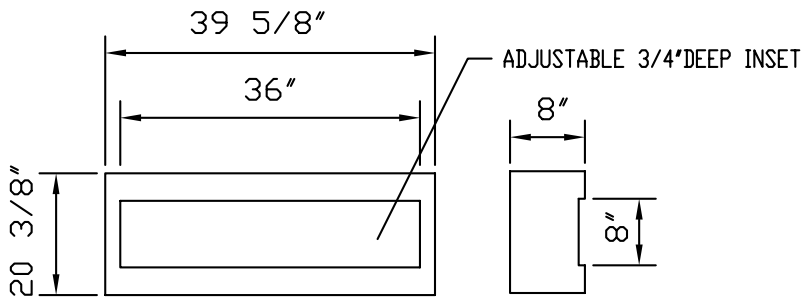
SN-125
3" THICK



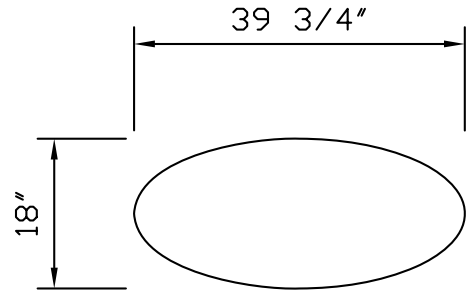
ALL LETTERING FOR ANY
SIGN AS PER CUSTOMER

4280 WAYSIDE COURT LILBURN, GA. 30047. (770)921-9788. FAX 921-9910

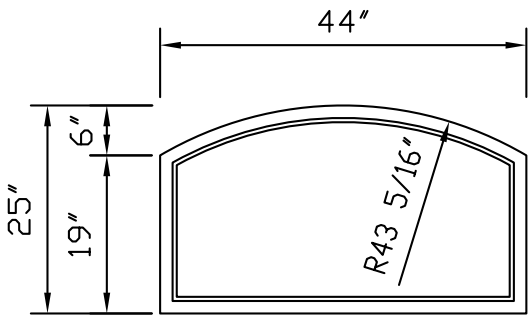
SIGN PANELS & PLAQUES



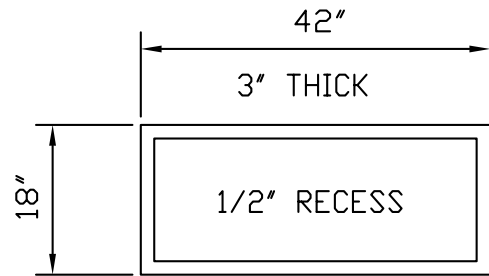
S-164



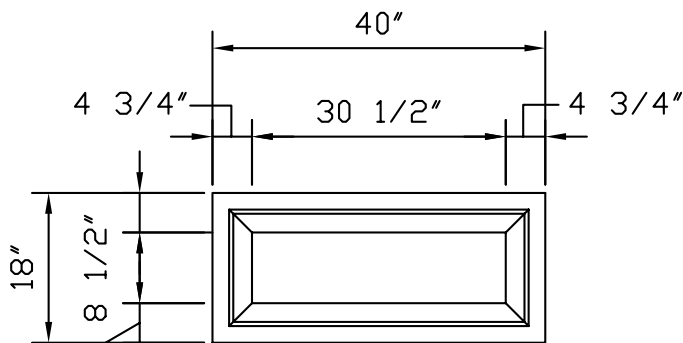
SN-136
3" THICK



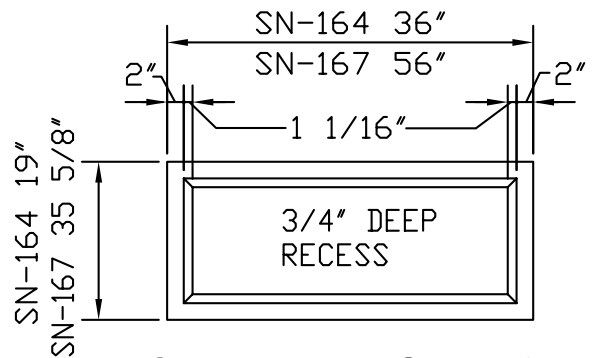
SN-161
3 1/2" THICK



SN-103
3 1/2" THICK



SN-112
3 1/2" THICK



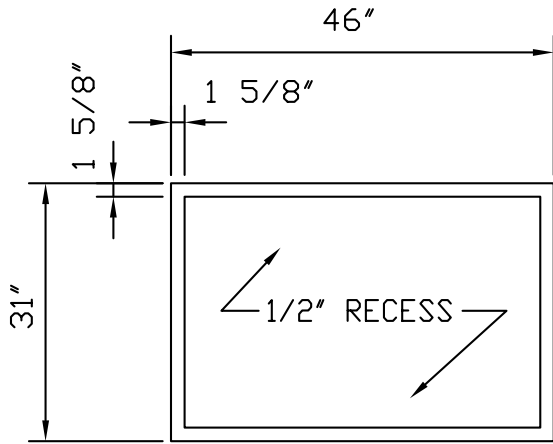
SN-164 36" SN-167 56"
4" THICK 4 5/8" THICK



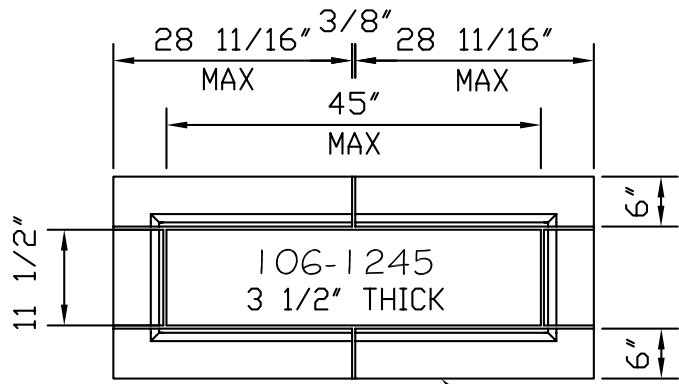
ALL LETTERING FOR ANY
SIGN AS PER CUSTOMER

4280 WAYSIDE COURT LILBURN, GA. 30047. (770)921-9788. FAX 921-9910

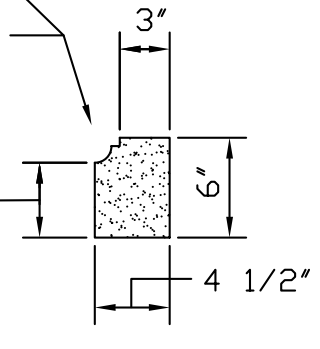
SIGN PANELS & PLAQUES



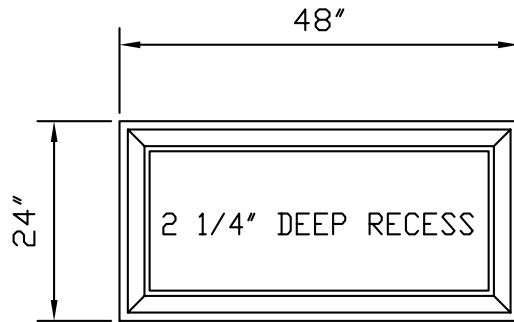
SN-101
3 1/2" THICK



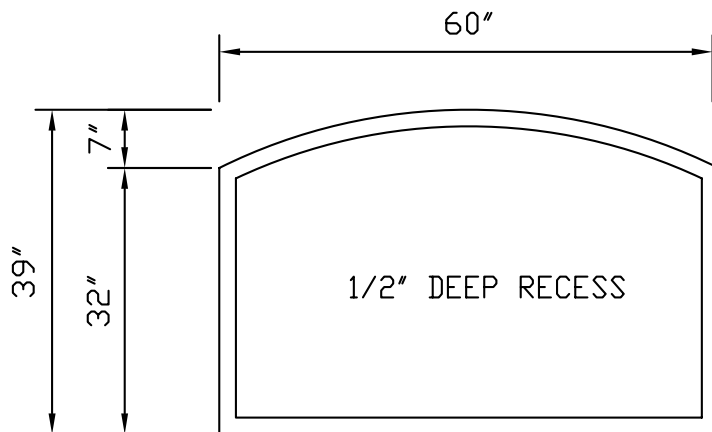
106-3672
4 1/2" THICK



SN-502-3.524x 48
5" THICK



SN-503-4.25-24x 48
5 1/2" THICK



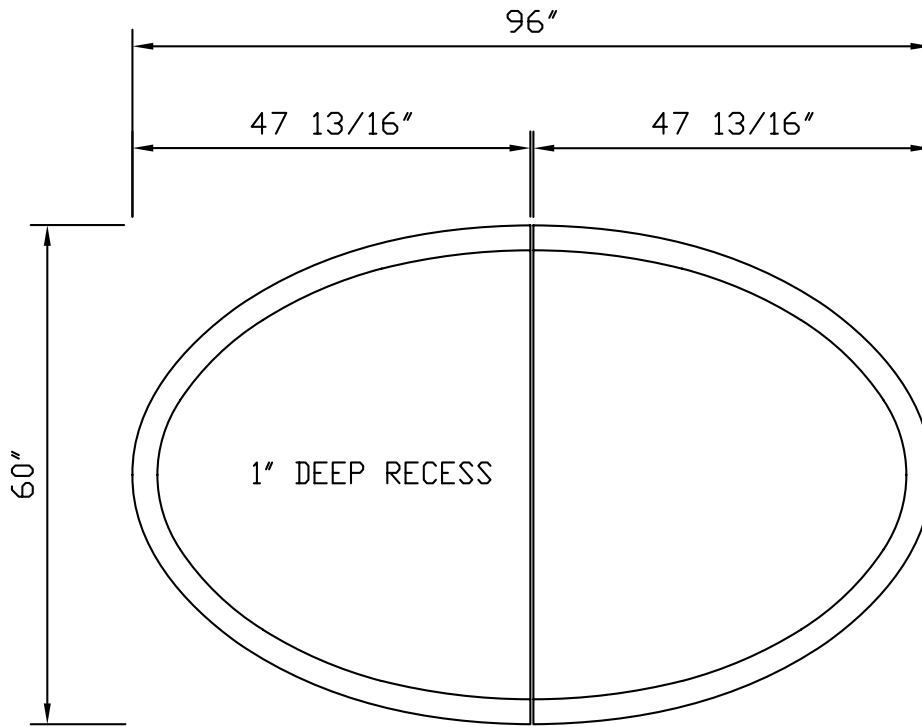
SN-102
3 1/2" THICK

ALL LETTERING FOR ANY
SIGN AS PER CUSTOMER

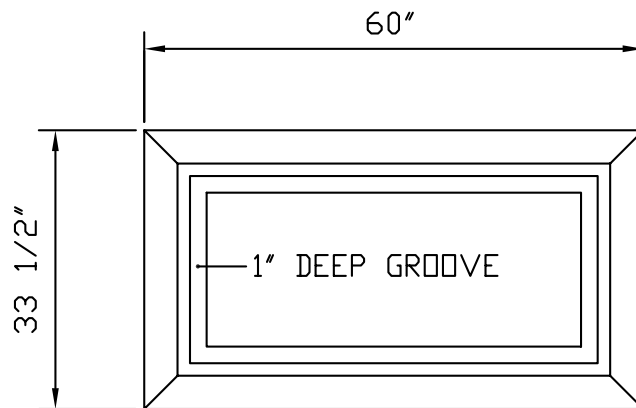


4280 WAYSIDE COURT LILBURN, GA. 30047. (770)921-9788. FAX 921-9910

SIGN PANELS & PLAQUES



SN-155
6" THICK

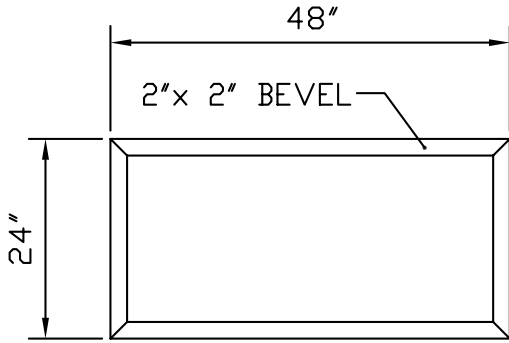


SN-02-149

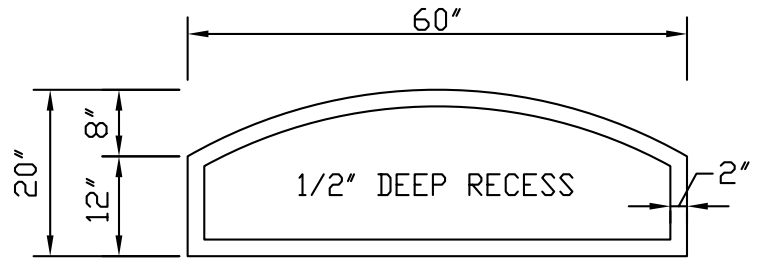


4280 WAYSIDE COURT LILBURN, GA. 30047. (770)921-9788. FAX 921-9910

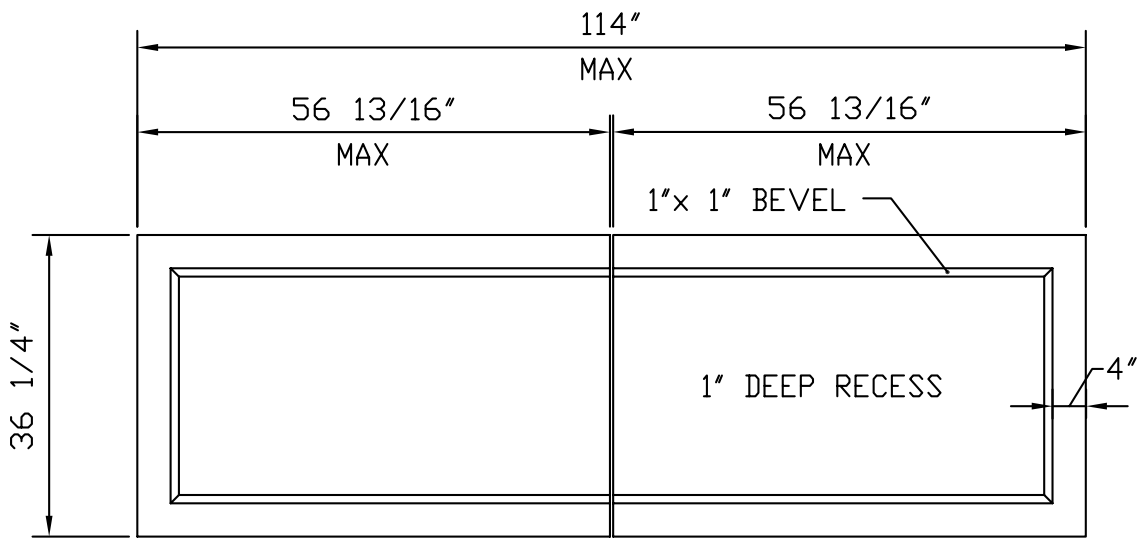
SIGN PANELS & PLAQUES



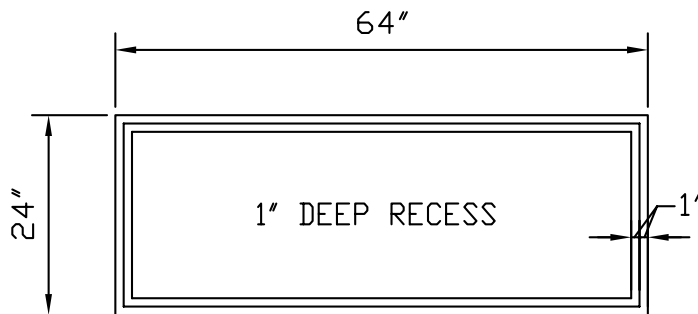
SN-140
4" THICK



SN-128
6" THICK



SN-159
4 7/8" THICK



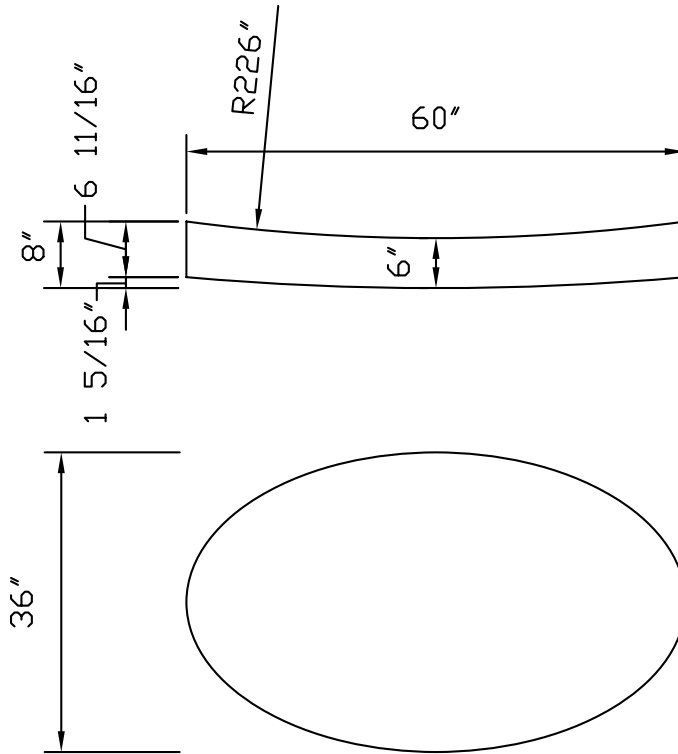
SN-127
6" THICK



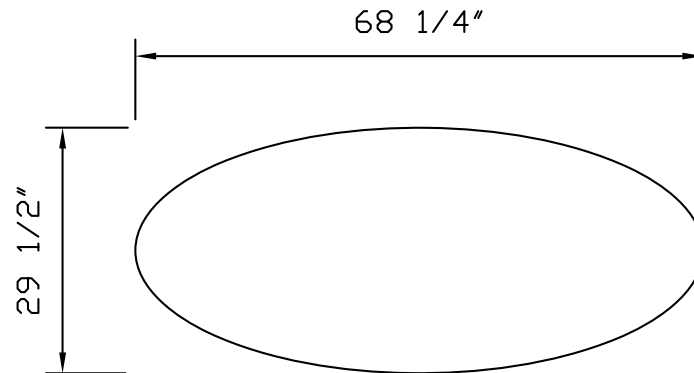
ALL LETTERING FOR ANY
SIGN AS PER CUSTOMER

4280 WAYSIDE COURT LILBURN, GA. 30047. (770)921-9788. FAX 921-9910

SIGN PANELS & PLAQUES



SN-163



SN-110-6829

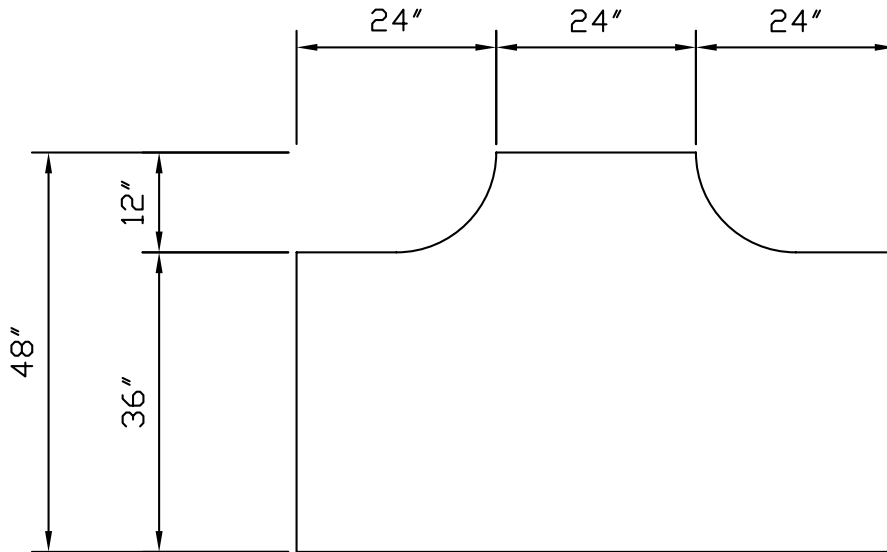
4 1/2" THICK



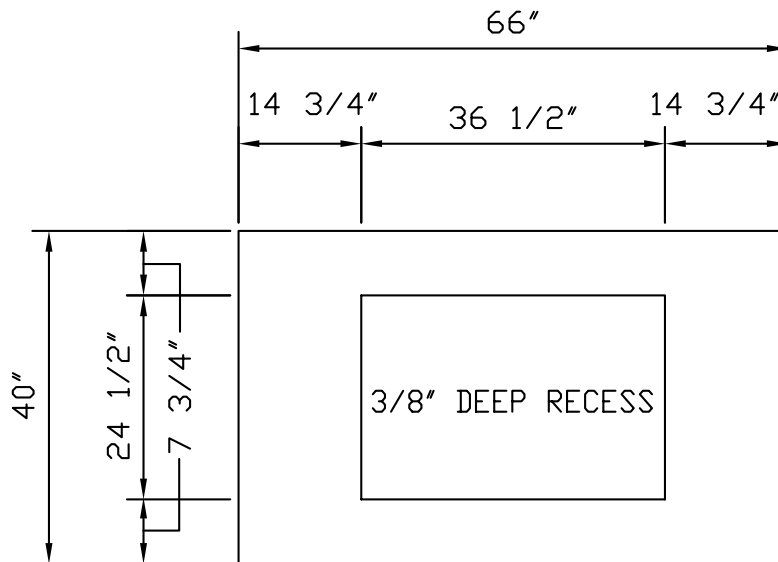
ALL LETTERING FOR ANY
SIGN AS PER CUSTOMER

4280 WAYSIDE COURT LILBURN, GA. 30047. (770)921-9788. FAX 921-9910

SIGN PANELS & PLAQUES



SN-147
4 3/4" THICK



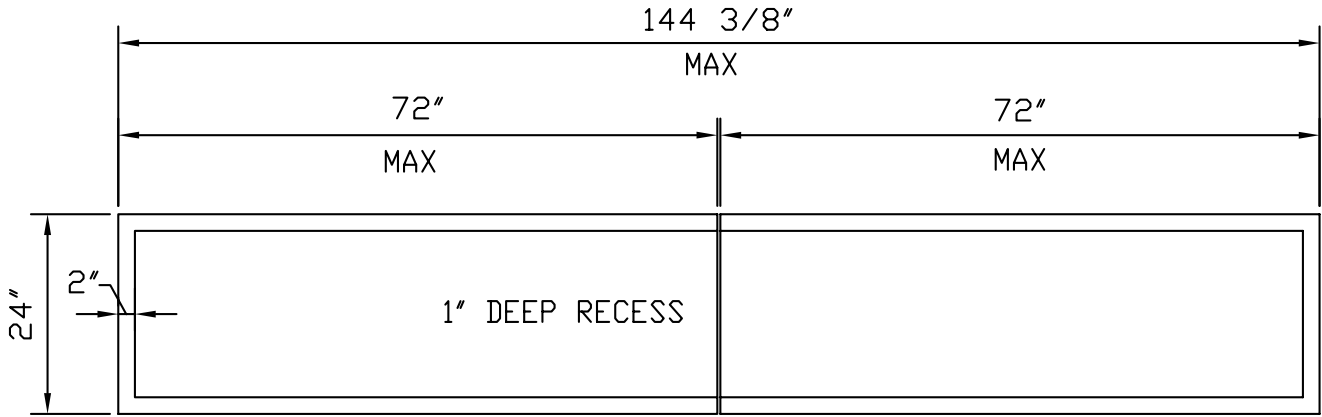
SN-115
9" THICK



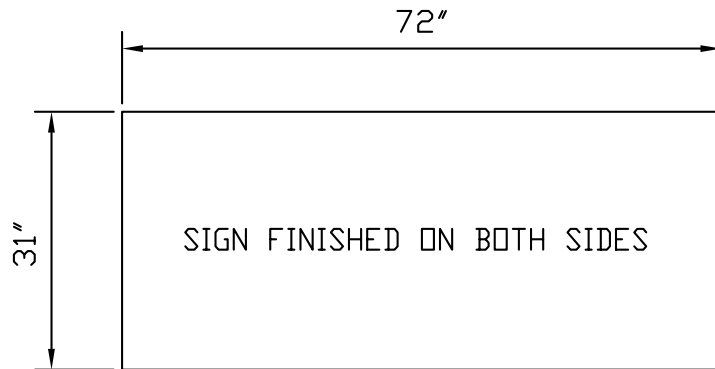
ALL LETTERING FOR ANY
SIGN AS PER CUSTOMER

4280 WAYSIDE COURT LILBURN, GA. 30047. (770)921-9788. FAX 921-9910

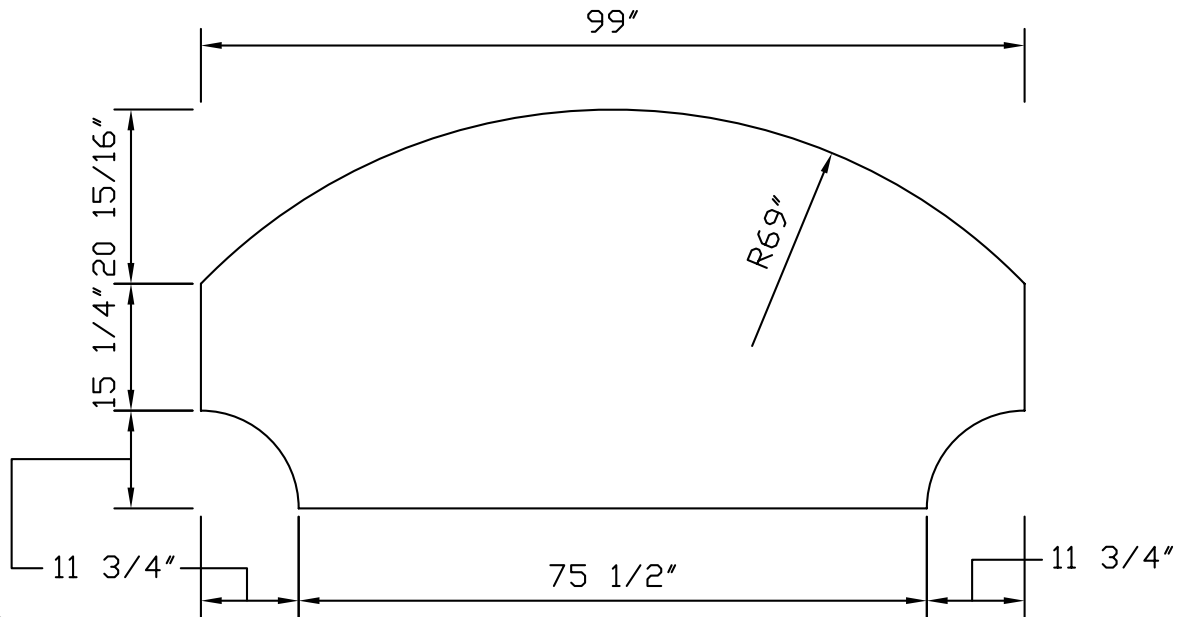
SIGN PANELS & PLAQUES



SN-138
5" THICK



SN-141
8" THICK

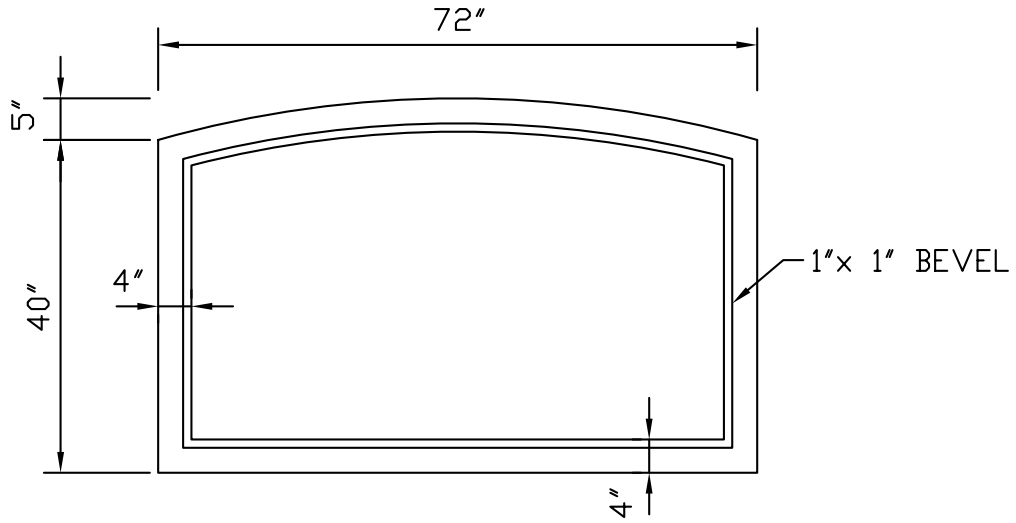


SN-162
6 3/4" THICK

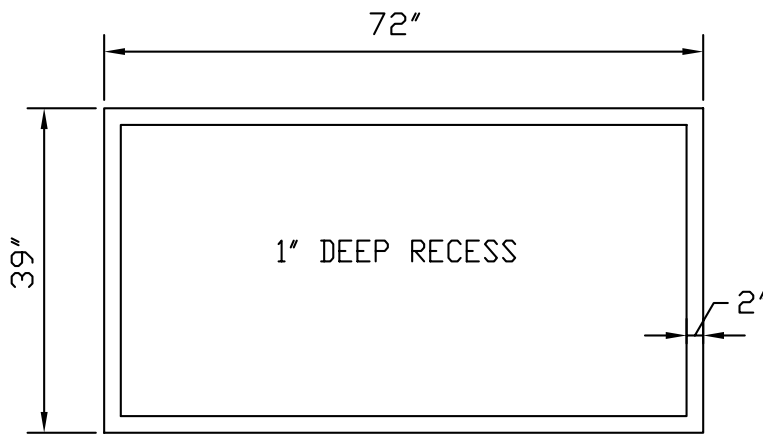


4280 WAYSIDE COURT LILBURN, GA. 30047. (770)921-9788. FAX 921-9910

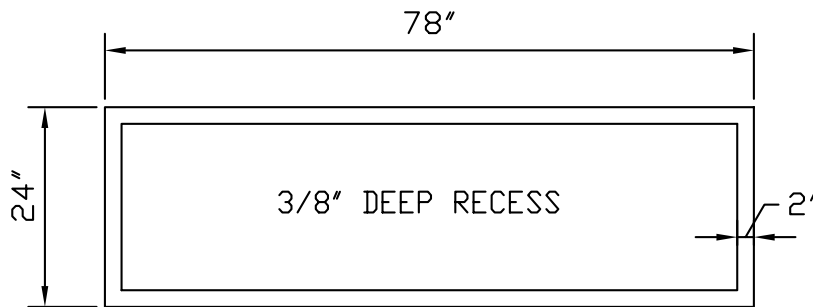
SIGN PANELS & PLAQUES



SN-104
5" THICK



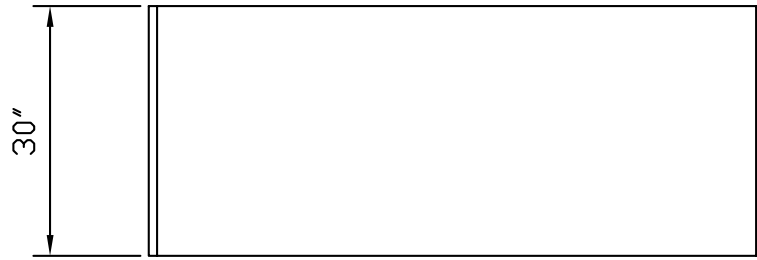
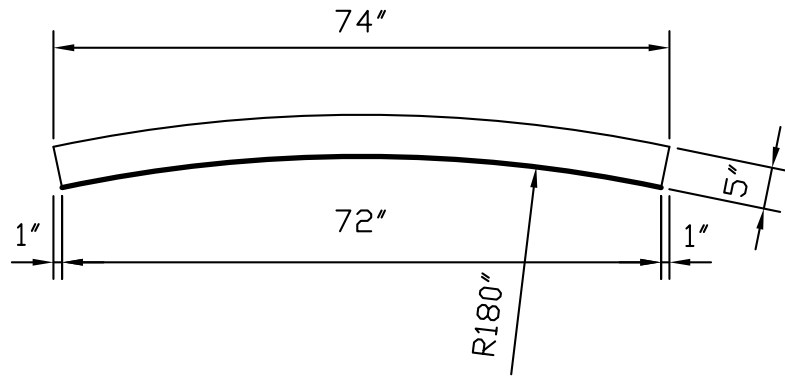
SN-118
6" THICK



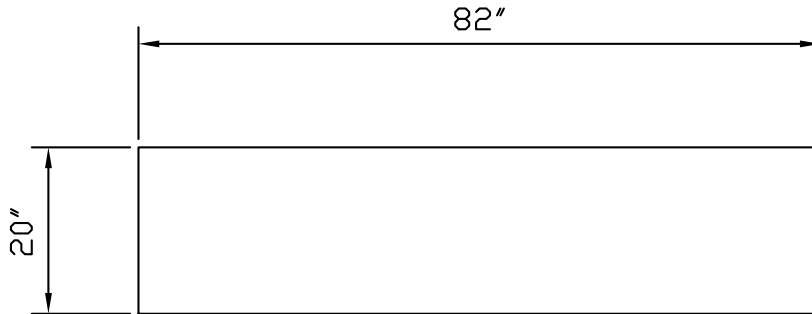
SN-117-0424-78
5 1/2" THICK



SIGN PANELS & PLAQUES

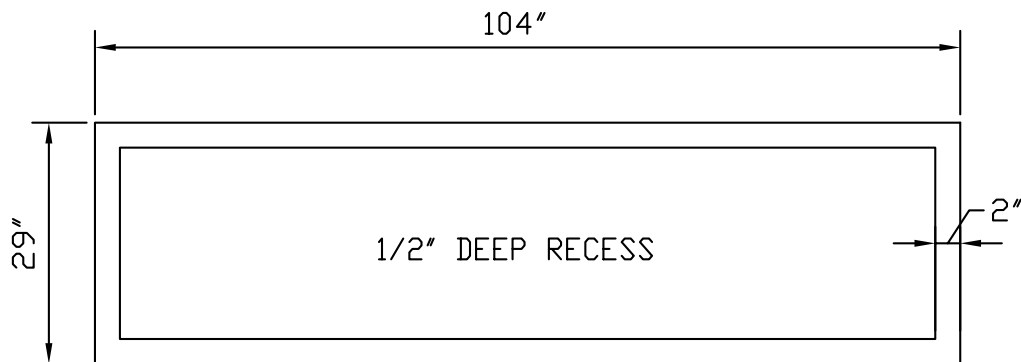


SN-165



SN-133

5 1/2" THICK



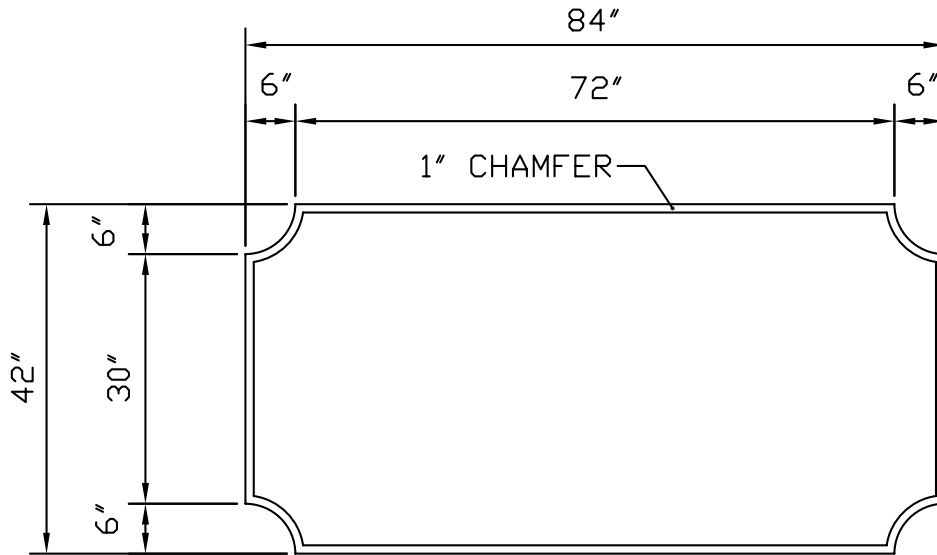
SN-109

7 5/8" THICK

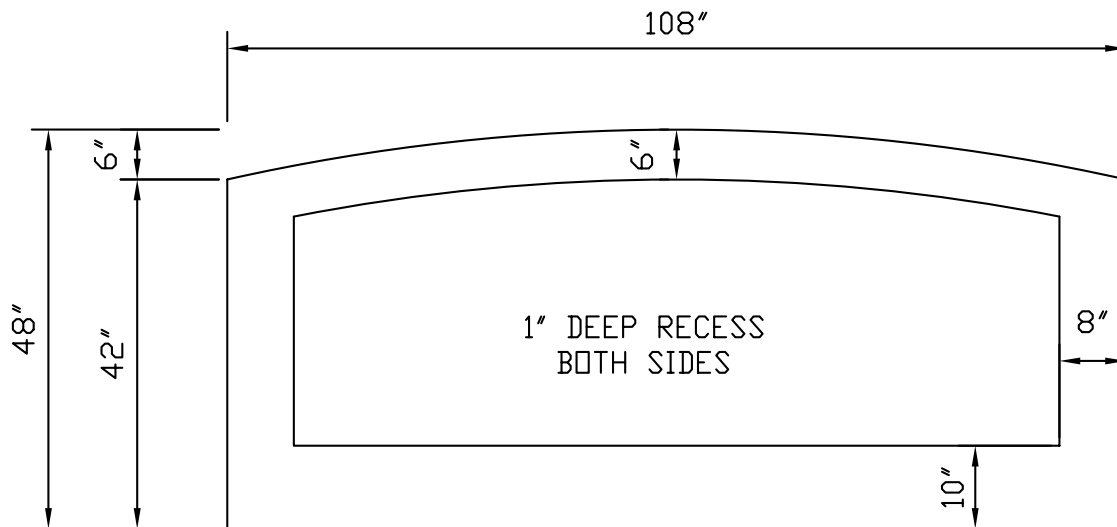


4280 WAYSIDE COURT LILBURN, GA. 30047. (770)921-9788. FAX 921-9910

SIGN PANELS & PLAQUES



SN-129
6" THICK

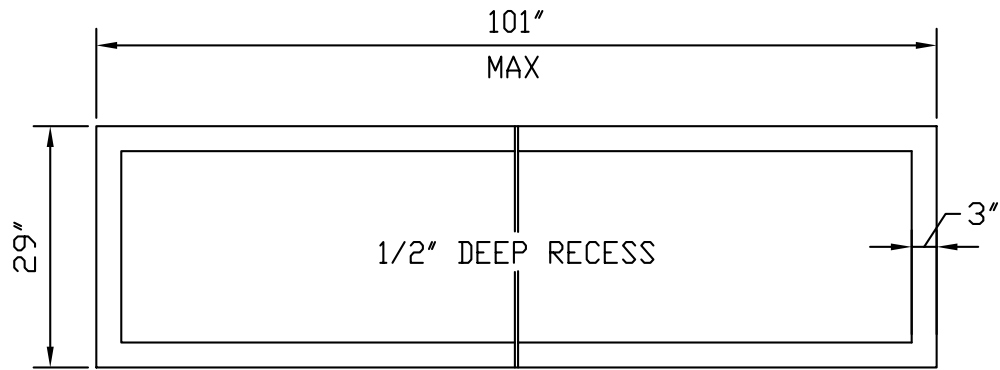


SN-122
8" THICK

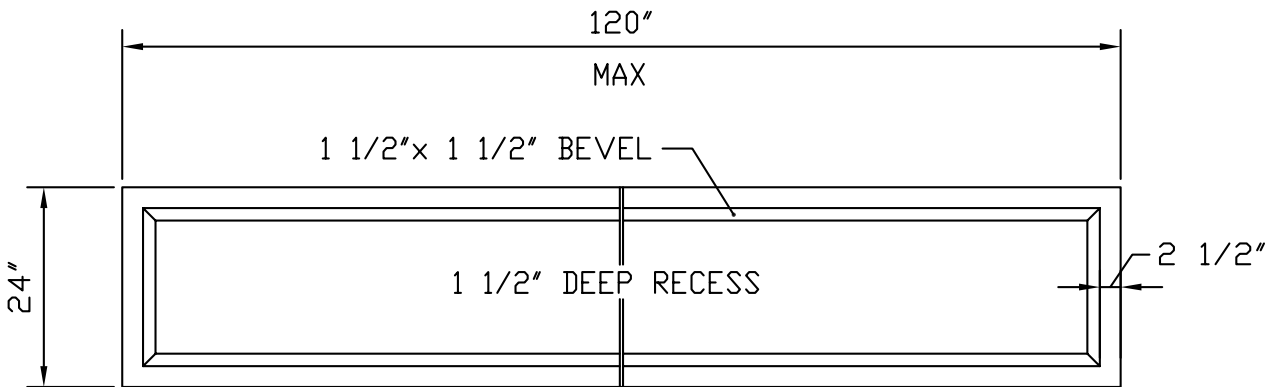


4280 WAYSIDE COURT LILBURN, GA. 30047. (770)921-9788. FAX 921-9910

SIGN PANELS & PLAQUES



SN-109-104-29
4 1/8" THICK

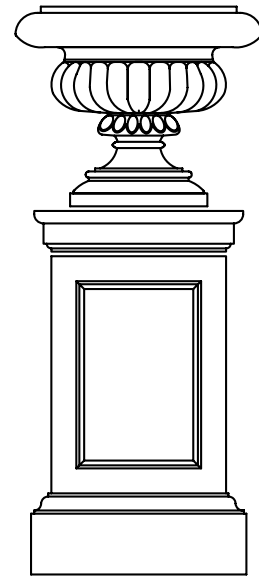
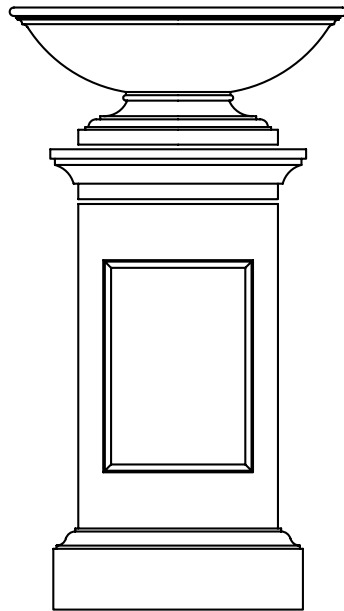


SN-139
5 1/2" THICK



4280 WAYSIDE COURT LILBURN, GA. 30047. (770)921-9788. FAX 921-9910

PLANTER

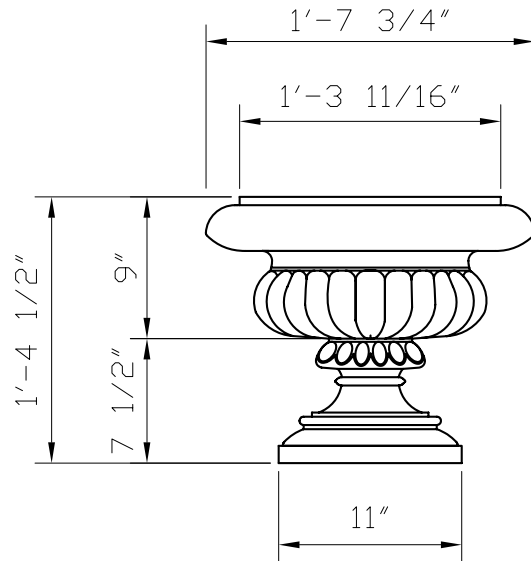


PIERS, PIER CAPS, FINIALS AND PLANTER BOWELS CAN BE PUT TOGETHER TO FORM MANY DIFFERENT COMBINATIONS.

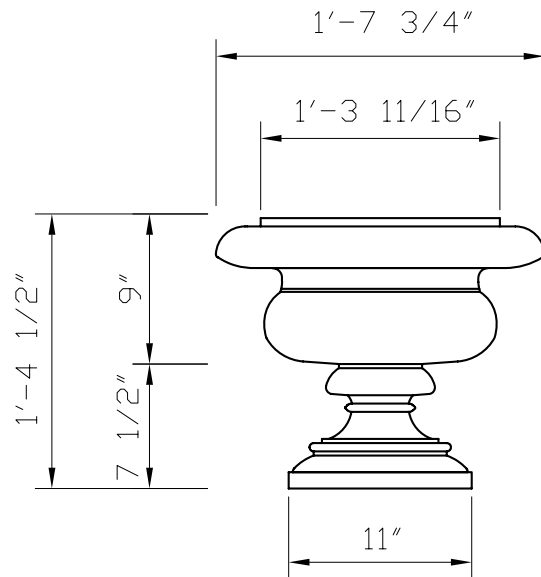


4280 WAYSIDE COURT LILBURN, GA. 30047. (770)921-9788. FAX 921-9910

PLANTER



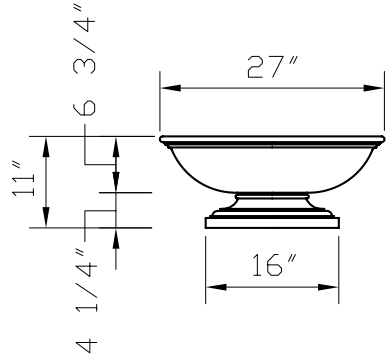
PL-104-116



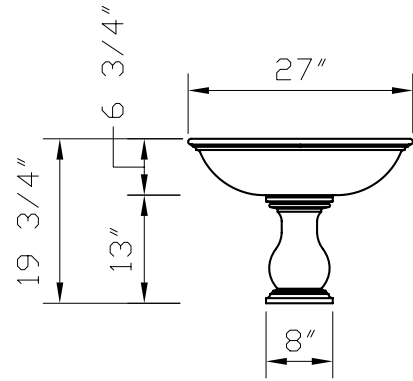
PL-104-A-116



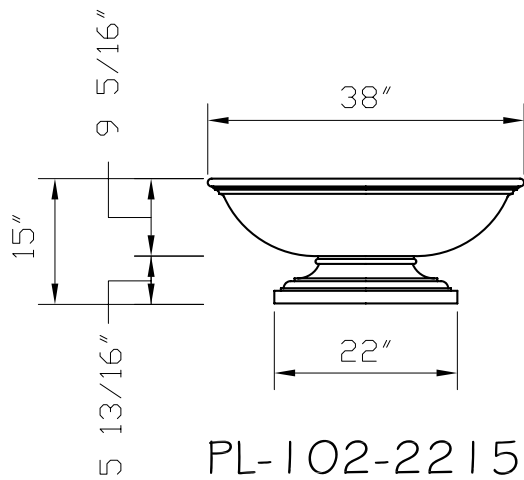
PLANTER



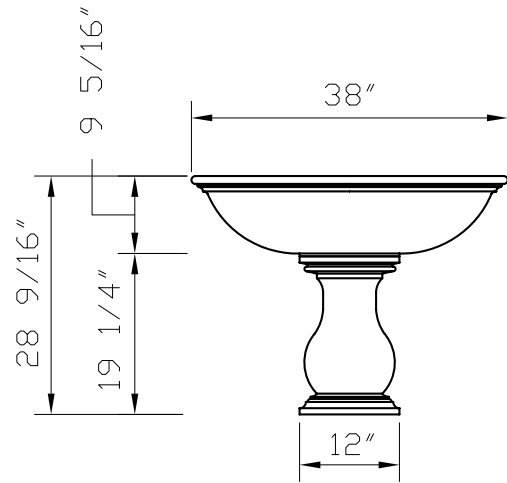
PL-102-1611



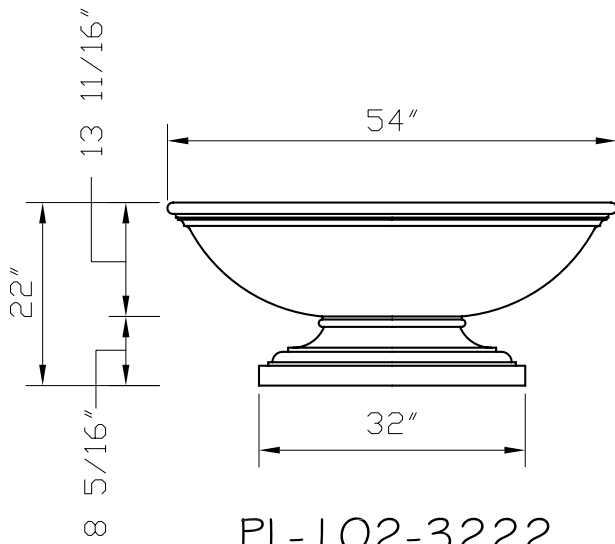
PL-102-0820



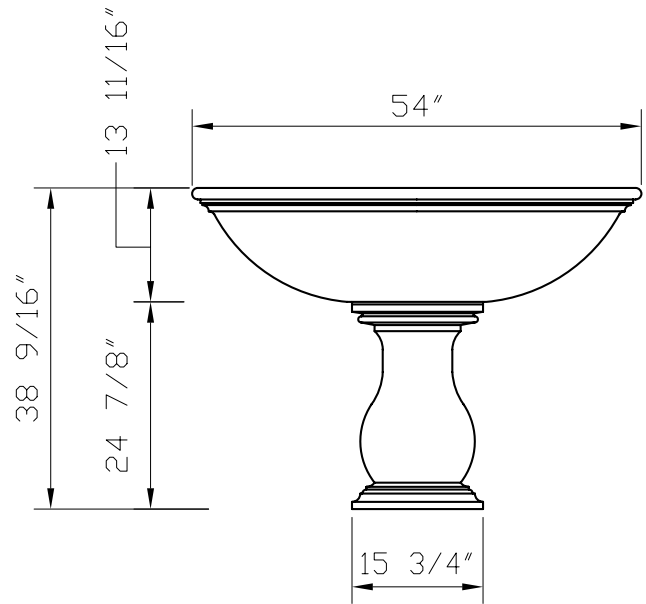
PL-102-2215



PL-102-1228



PL-102-3222



PL-102-1638

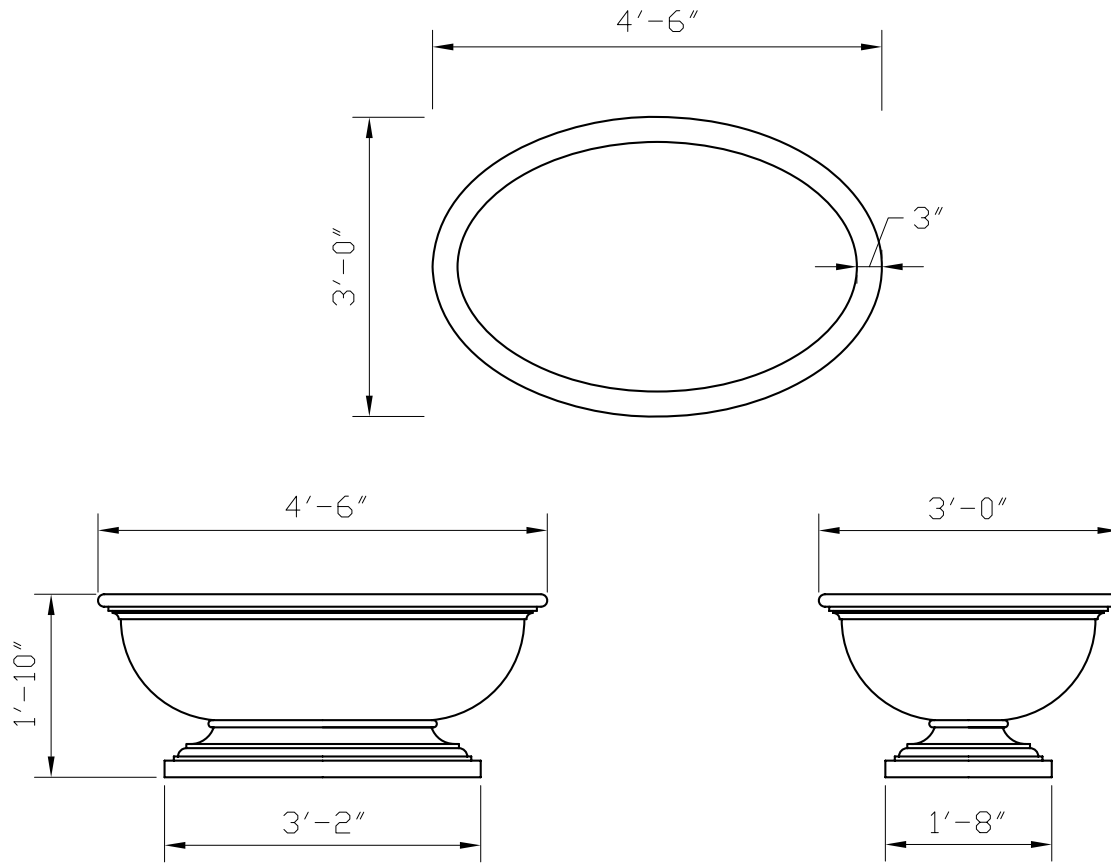


OLDE WORLD
CAST STONE

ALL PLANTERS ON THIS PAGE ARE ROUND

4280 WAYSIDE COURT LILBURN, GA. 30047. (770)921-9788. FAX 921-9910

PLANTER

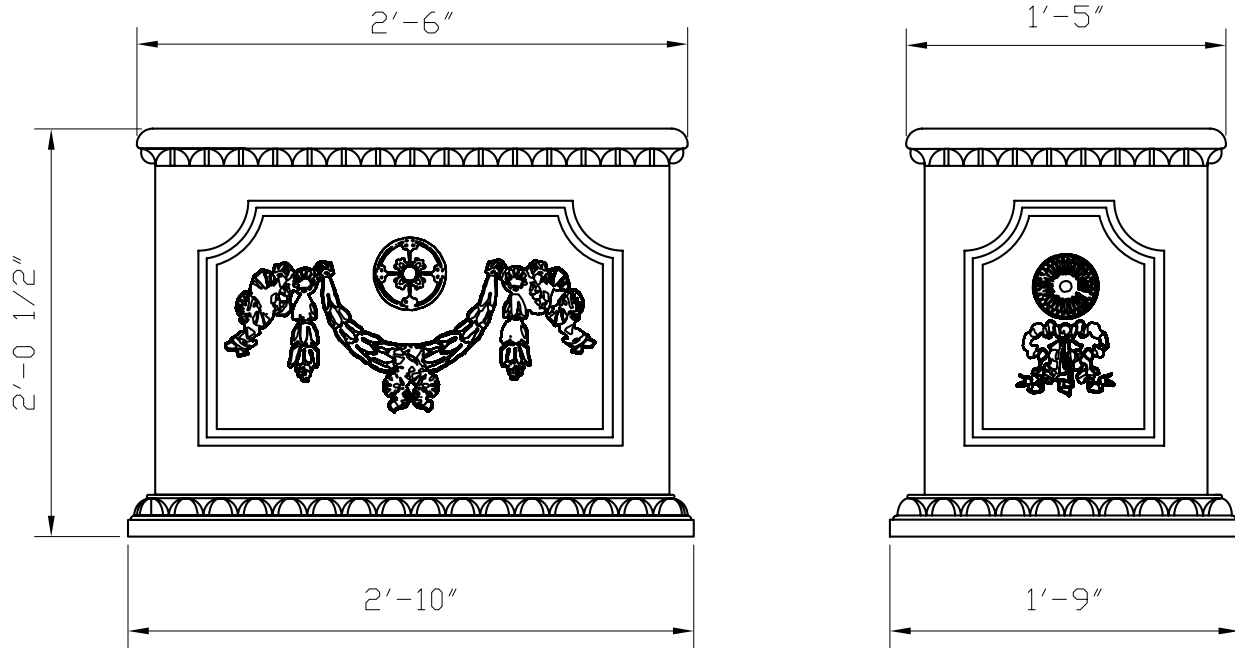


PL-102-3654

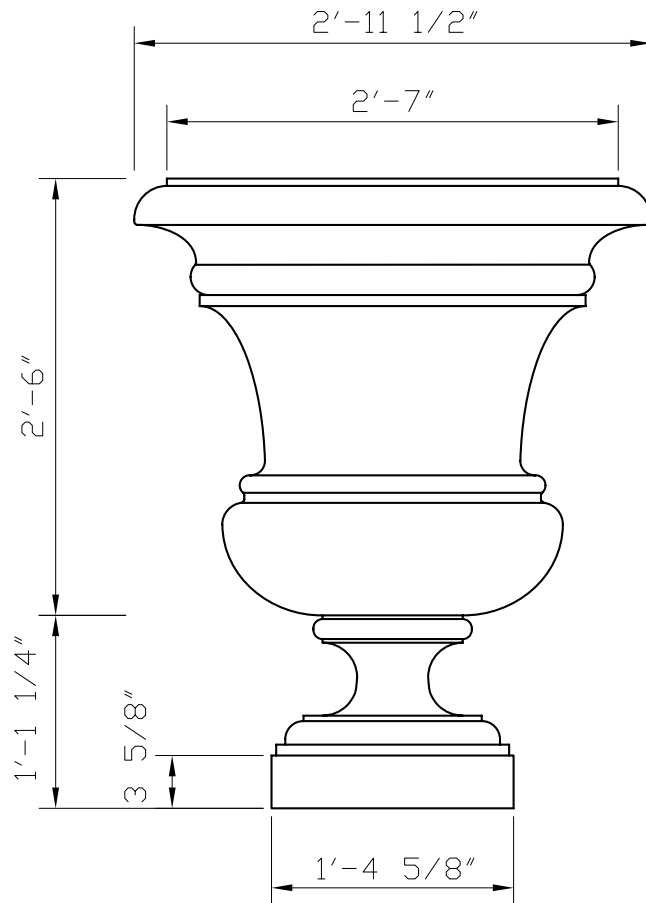


4280 WAYSIDE COURT LILBURN, GA. 30047. (770)921-9788. FAX 921-9910

PLANTER



PL-101-S-3017



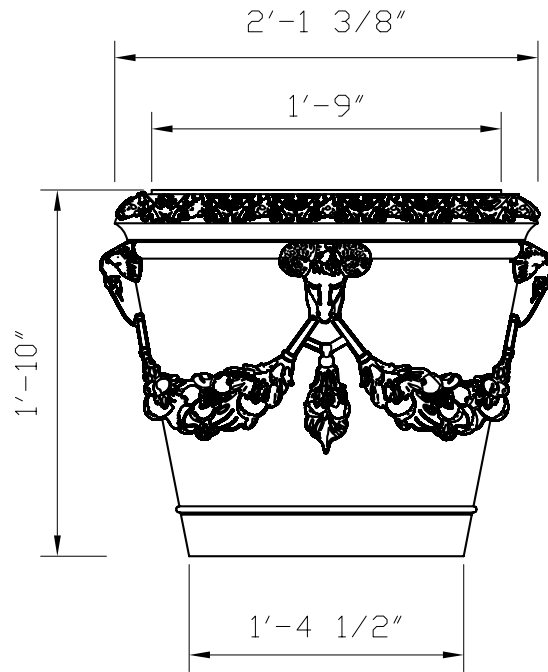
PL-105-3540



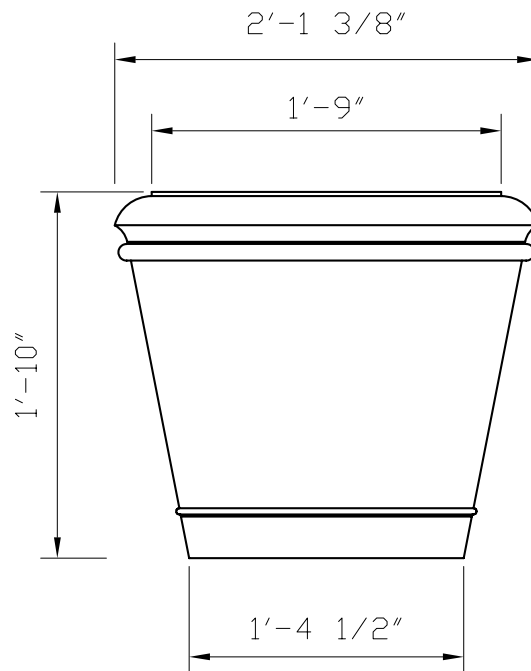
OLDE WORLD
CAST STONE

4280 WAYSIDE COURT LILBURN, GA. 30047. (770)921-9788. FAX 921-9910

PLANTER



PL-103-1622

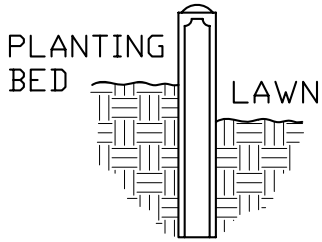
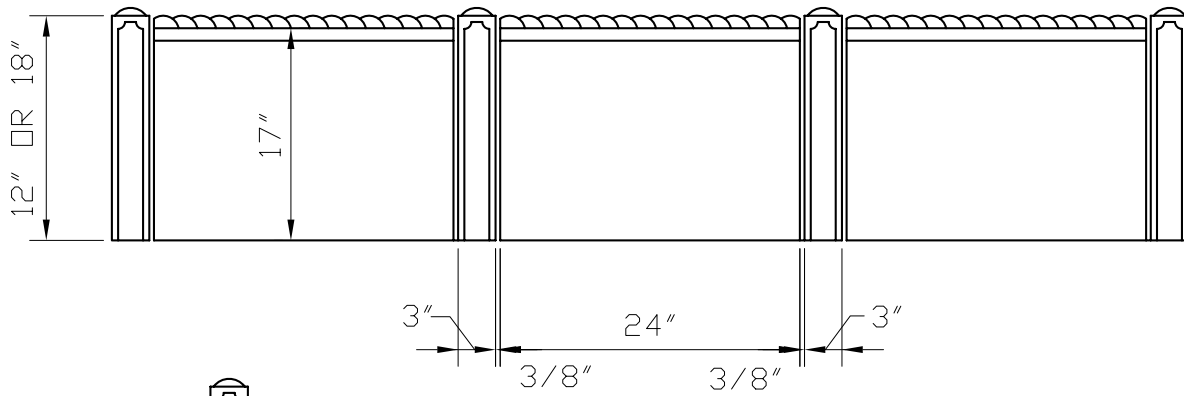


PL-103-A-1622



4280 WAYSIDE COURT LILBURN, GA. 30047. (770)921-9788. FAX 921-9910

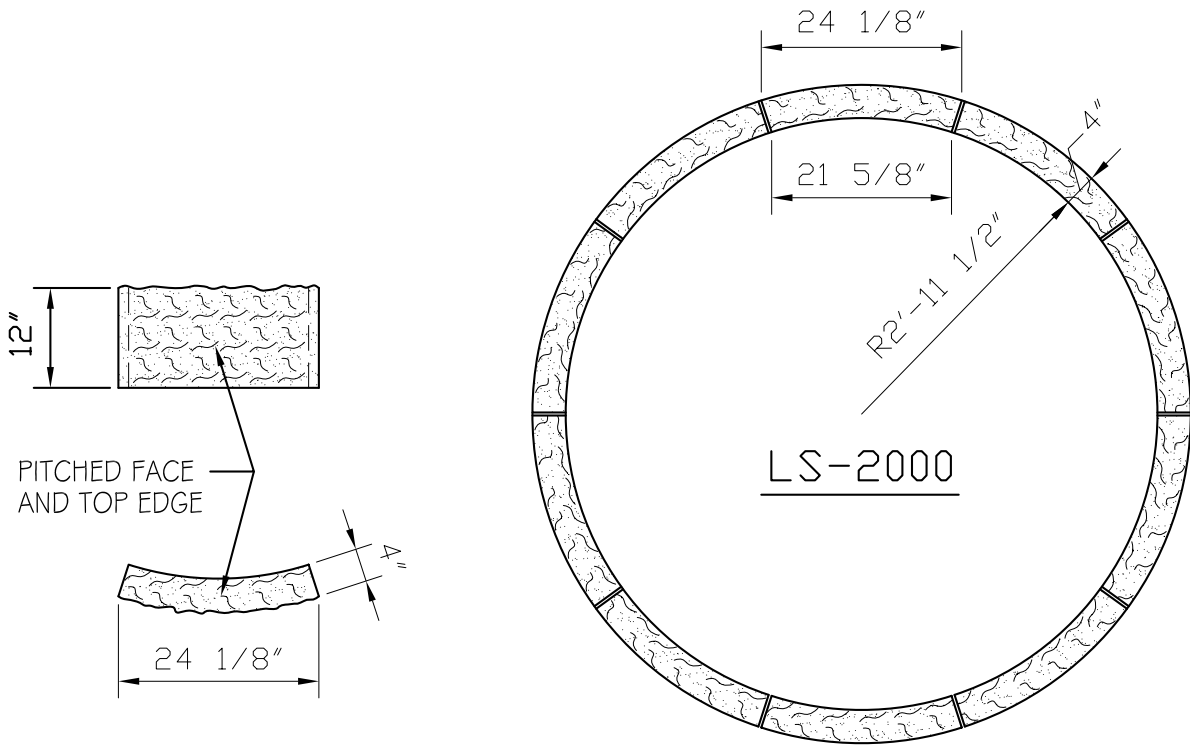
PLANTER SCREENS



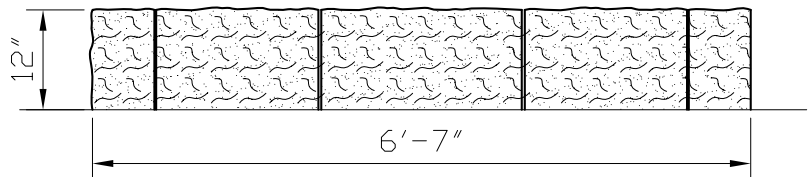
BURY OR MORTAR
IN GROUND.

LS-101

- LS-101-1824
- LS-101-18 IR
- LS-101-18 OR
- LS-101-36 IR
- LS-101-36 OR
- LS-101-72 IR
- LS-101-72 OR



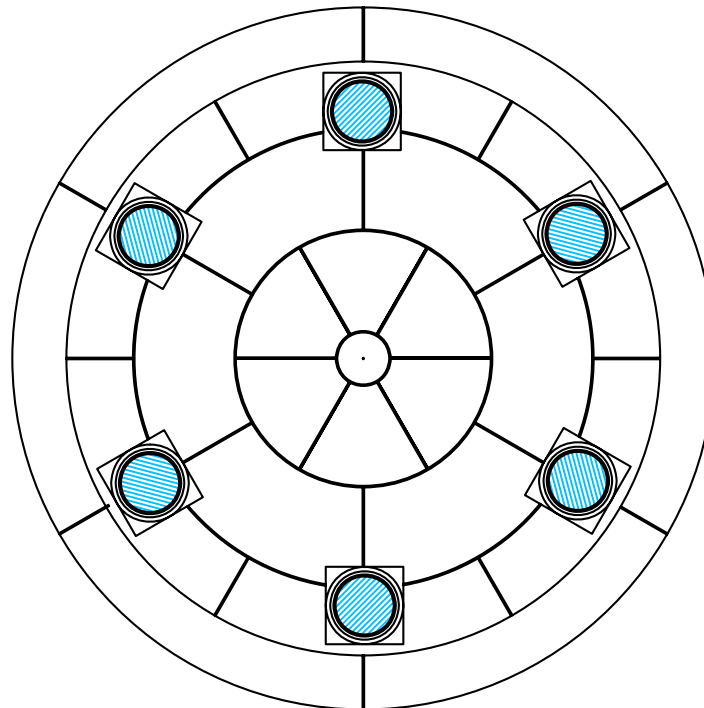
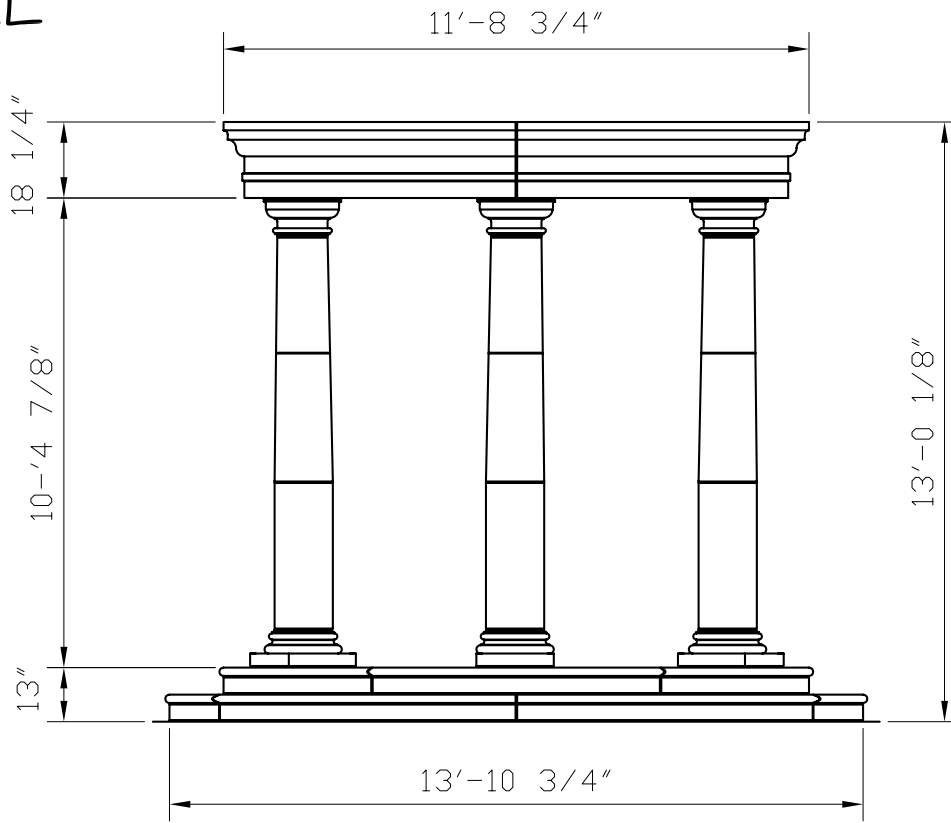
LS-2000



OLDE WORLD
CAST STONE

4280 WAYSIDE COURT LILBURN, GA. 30047. (770)921-9788. FAX 921-9910

TEMPLE



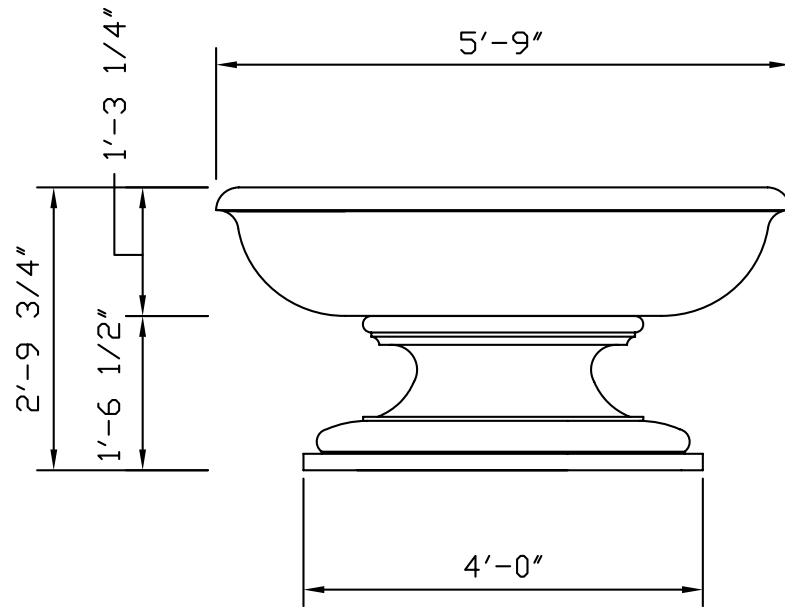
FLOOR PLAN VIEW



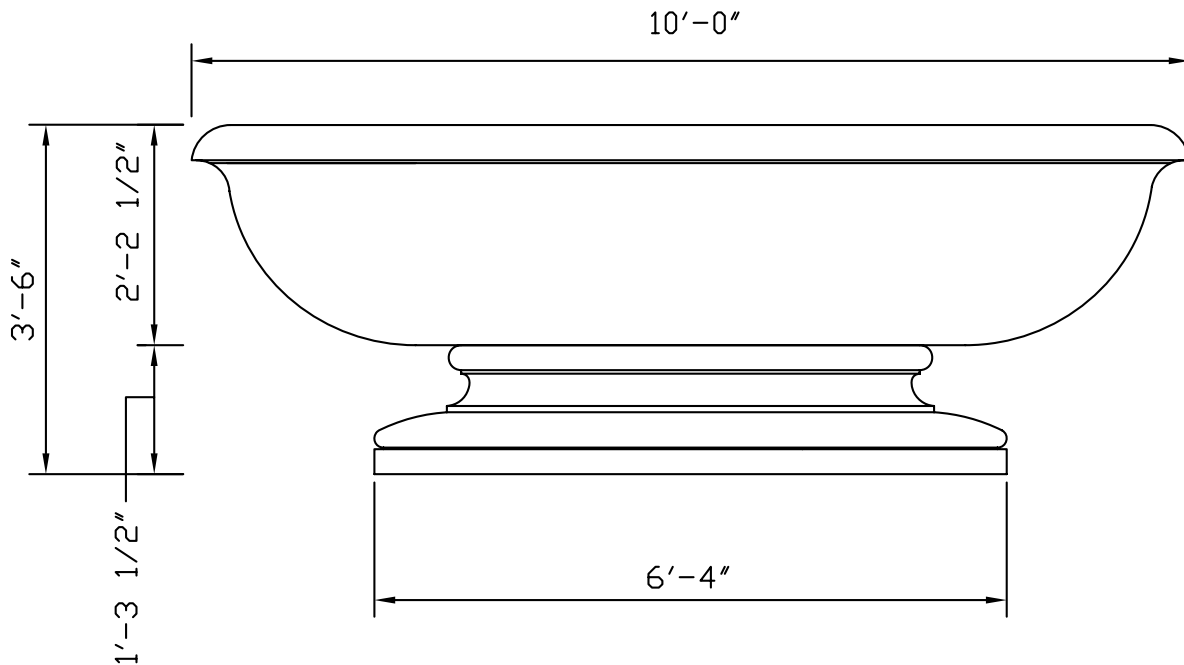
OTHER TEMPLES CAN BE ASSEMBLED BY USING DIFFERENT COLUMNS AS SHOWN IN SECTION 17.

4280 WAYSIDE COURT LILBURN, GA. 30047. (770)921-9788. FAX 921-9910

FOUNTAINS



PL-106-4833

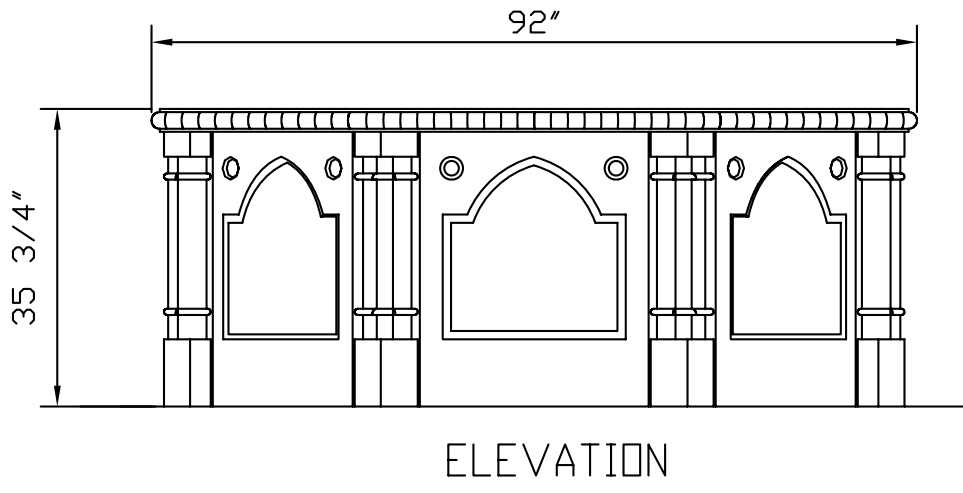
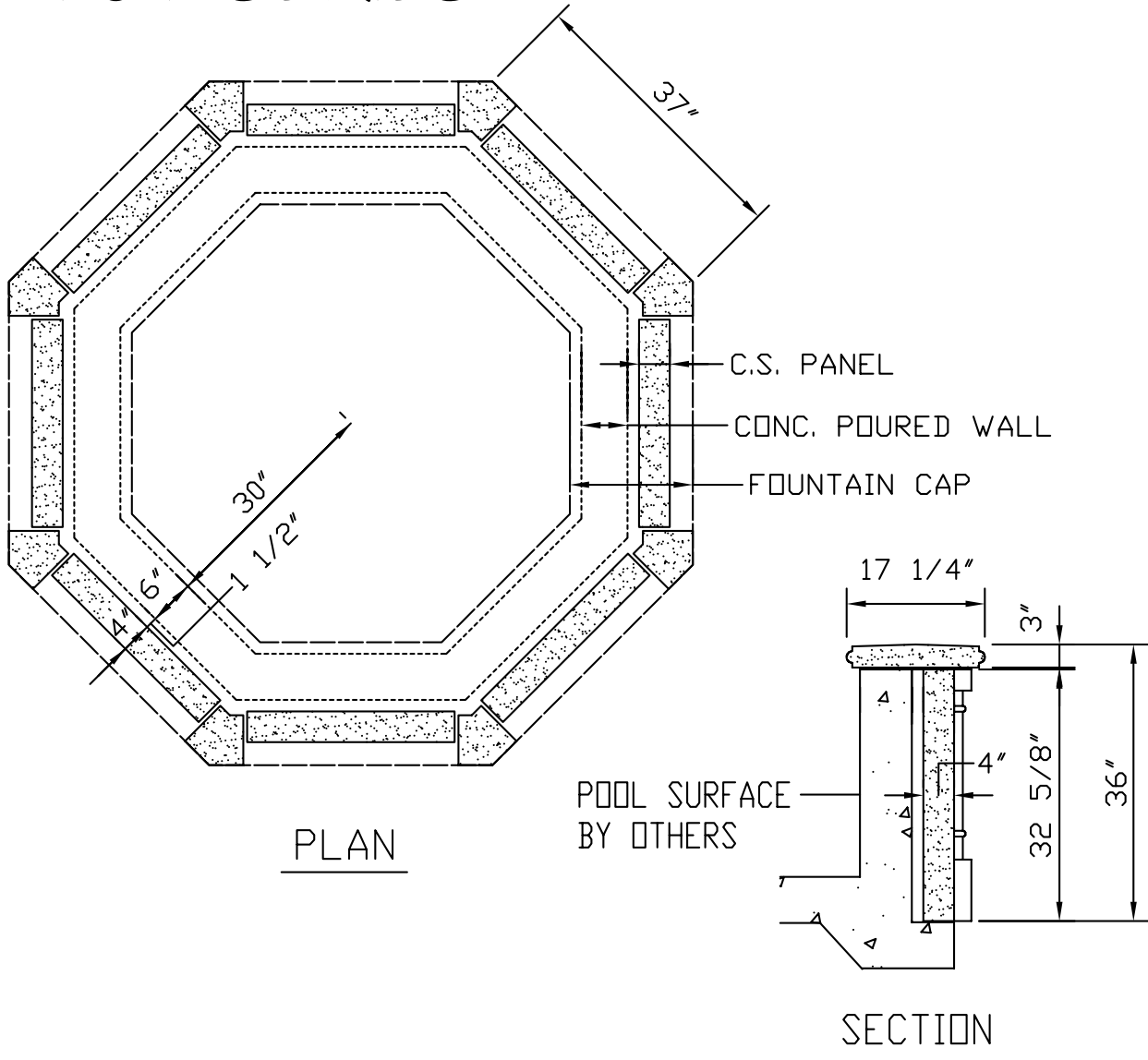


PL-106-7642



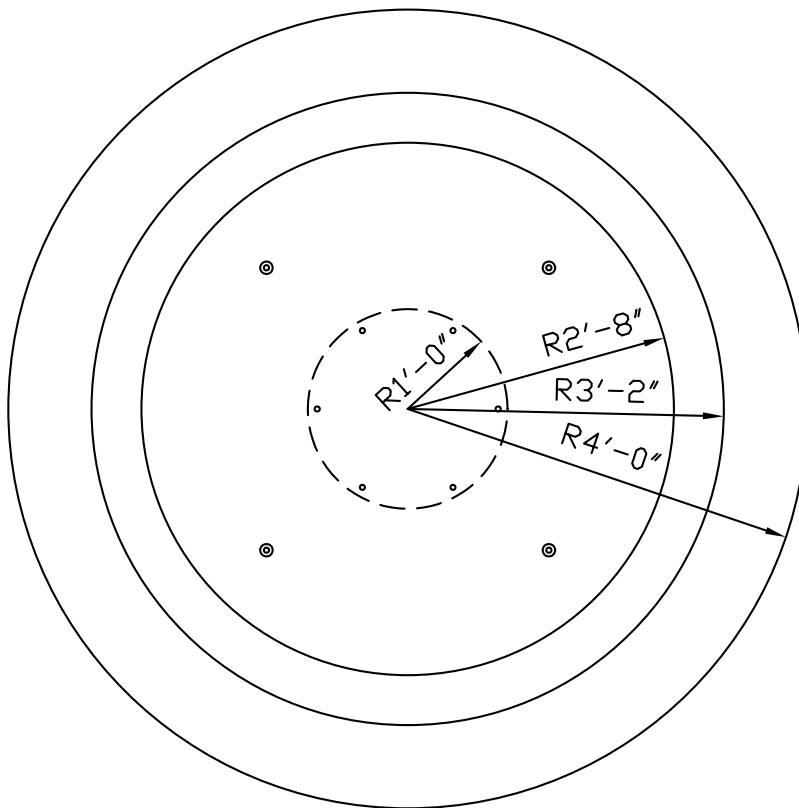
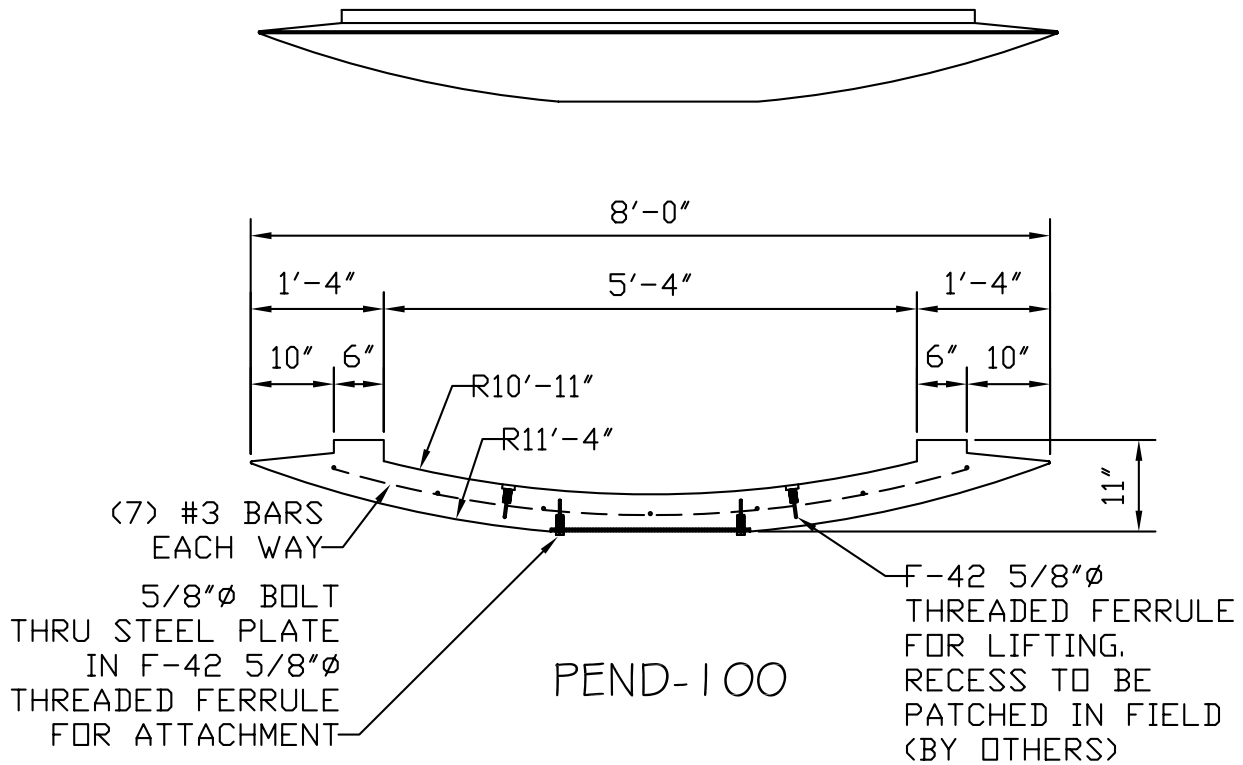
4280 WAYSIDE COURT LILBURN, GA. 30047. (770)921-9788. FAX 921-9910

FOUNTAINS FT-101 SERIES



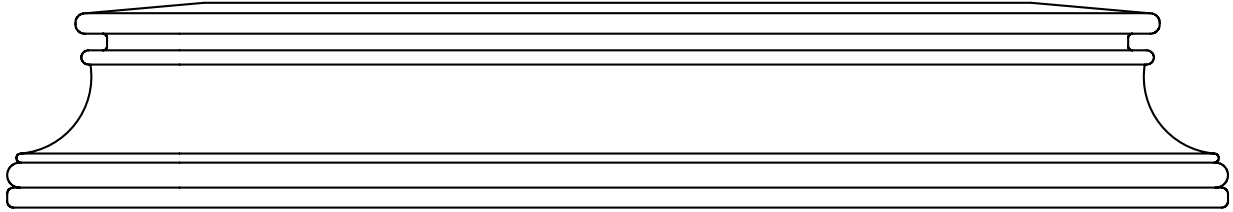
4280 WAYSIDE COURT LILBURN, GA. 30047. (770)921-9788. FAX 921-9910

PENDULUM DISK

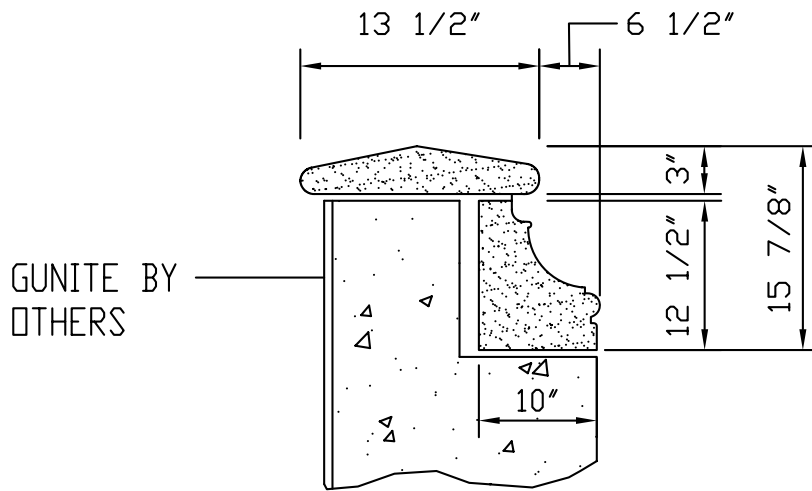


4280 WAYSIDE COURT LILBURN, GA. 30047. (770)921-9788. FAX 921-9910

POOL SURROUND PS 101 SERIES



ELEVATION



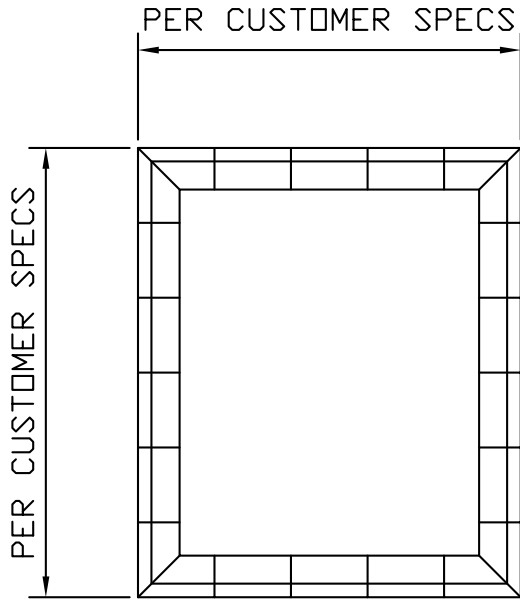
SECTION

- PS 101 1236 (STRAIGHT CAP)
- PS 101 IC (INSIDE CORNER)
- PS 101 OC (OUTSIDE CORNER)
- PS 101 45° CORNER (CAP)
- PS 101 135° CORNER (CAP)
- PS 101 36' OUTSIDE RADIUS (CAP)
- PS 101 52' OUTSIDE RADIUS (CAP)
- PS 101 6' OUTSIDE RADIUS (CAP)
- PS 101 8' OUTSIDE RADIUS
- PS 101 9'6" OUTSIDE RADIUS
- PS 101 10'6" OUTSIDE RADIUS (CAP)
- PS 101 11'6" OUTSIDE RADIUS (CAP)
- PS 101 12' OUTSIDE RADIUS
- PS 101 14' OUTSIDE RADIUS (CAP)
- PS 101 20' OUTSIDE RADIUS (CAP)

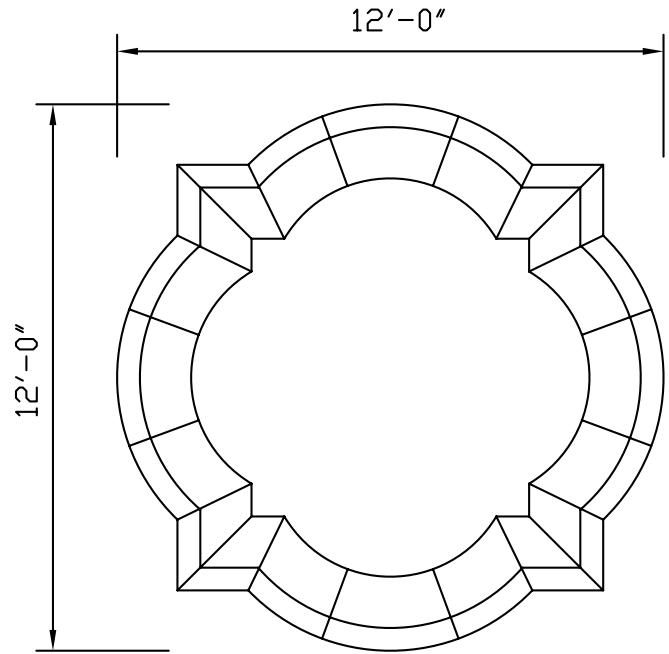


4280 WAYSIDE COURT LILBURN, GA. 30047. (770)921-9788. FAX 921-9910

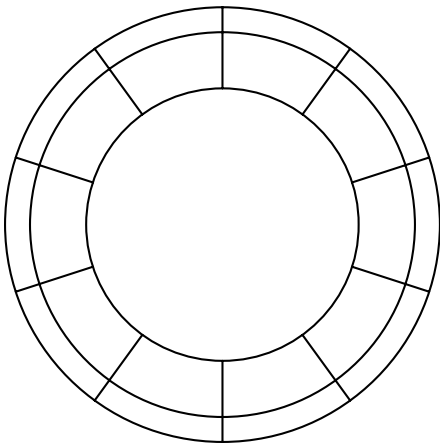
POOL SURROUND PS 101 SERIES



RECTANGULAR

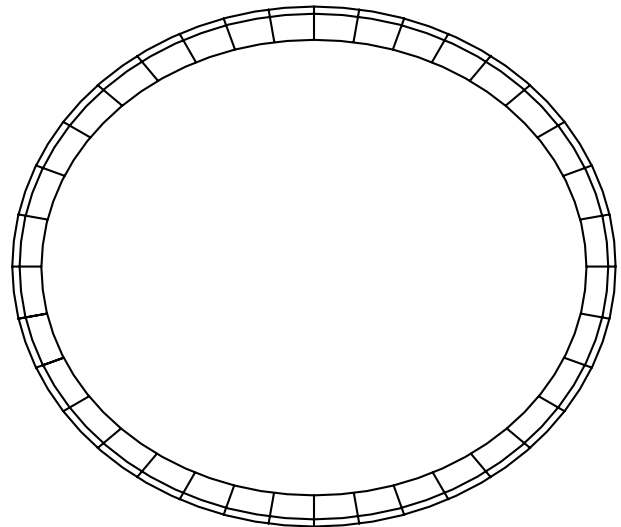


PS-101-1212



CIRCULAR

36' OUTSIDE RADIUS

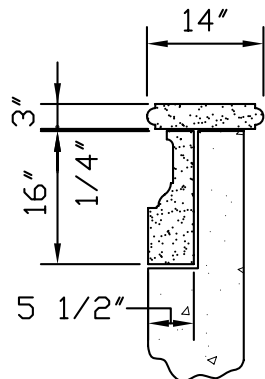
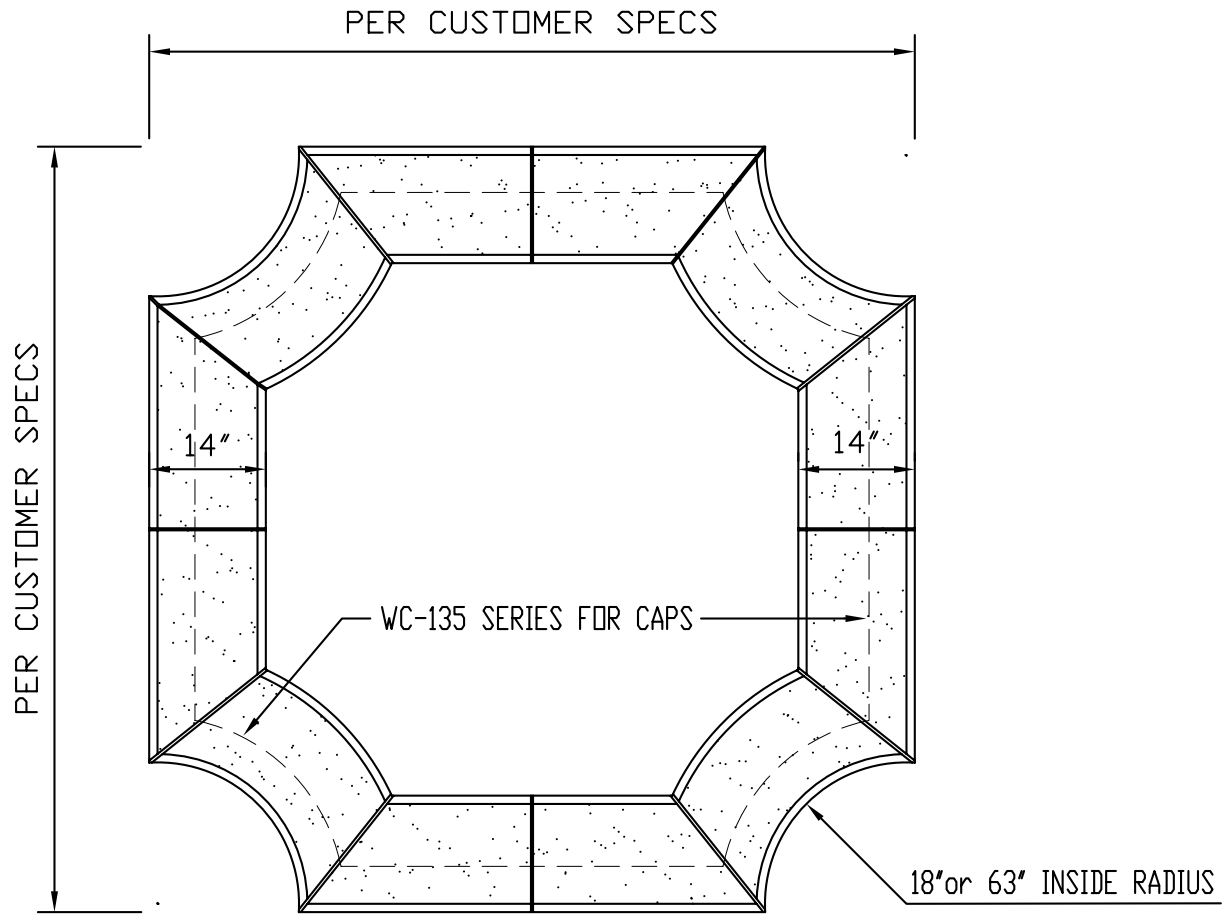


OVAL



4280 WAYSIDE COURT LILBURN, GA. 30047. (770)921-9788. FAX 921-9910

POOL SURROUND PLT 303 SERIES



SECTION

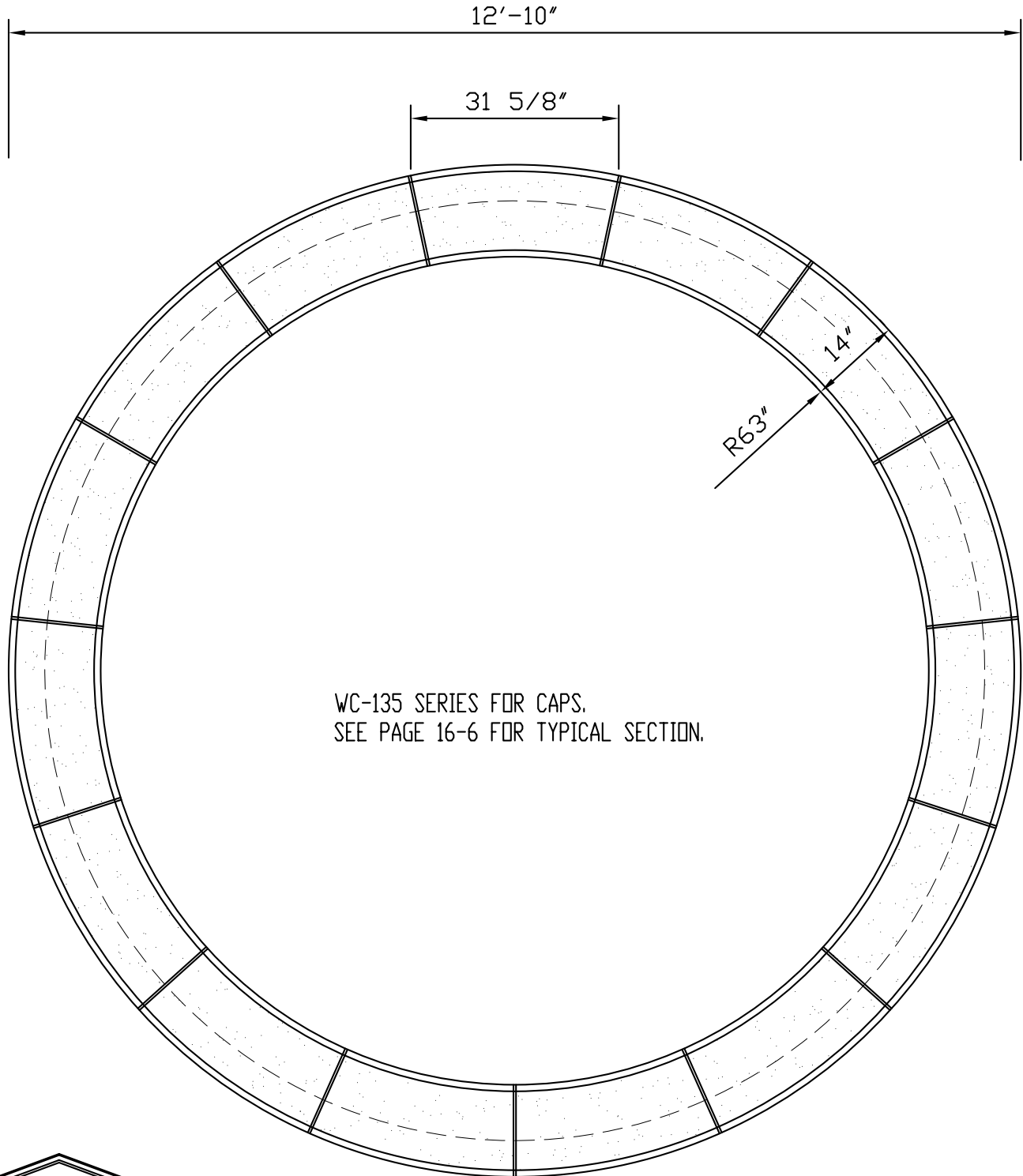
BASE PIECES

PLT 303	48 (STRAIGHT)
PLT 303	18' INSIDE RADIUS
PLT 303	63' INSIDE RADIUS
PLT 303	77' OUTSIDE RADIUS



4280 WAYSIDE COURT LILBURN, GA. 30047. (770)921-9788. FAX 921-9910

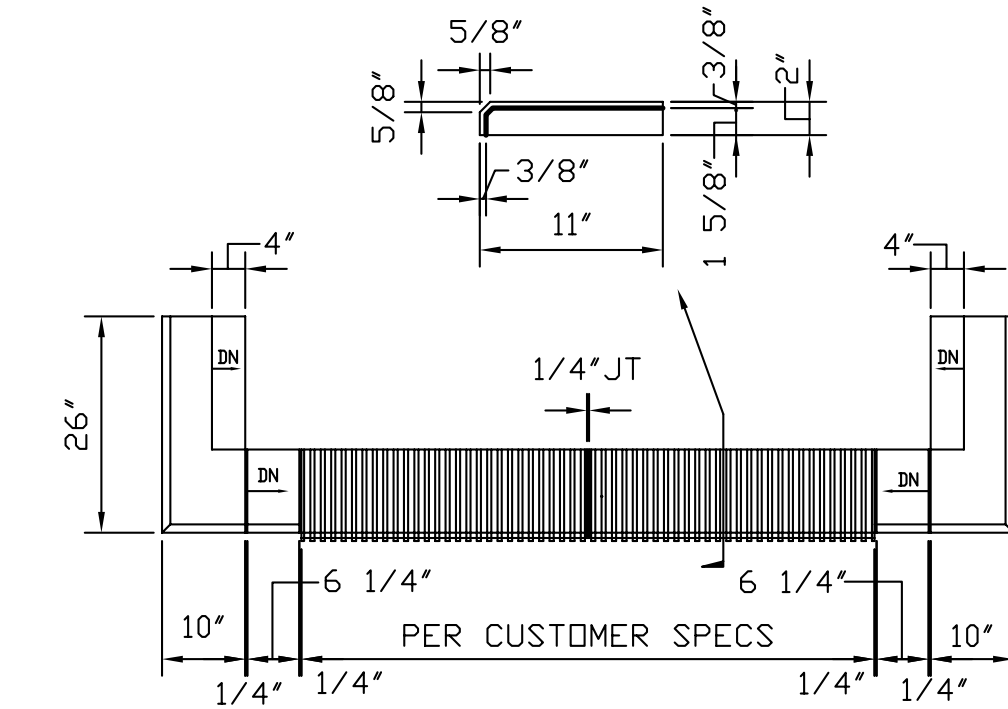
POOL SURROUND PLT 303 SERIES



PLT-303-63R

4280 WAYSIDE COURT LILBURN, GA. 30047. (770)921-9788. FAX 921-9910

FOUNTAINS FT-400 SERIES

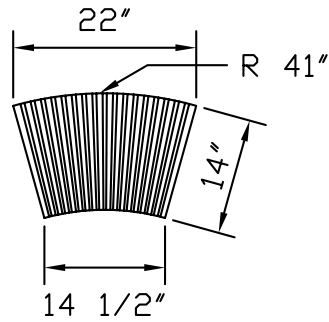


PLAN



ELEVATION

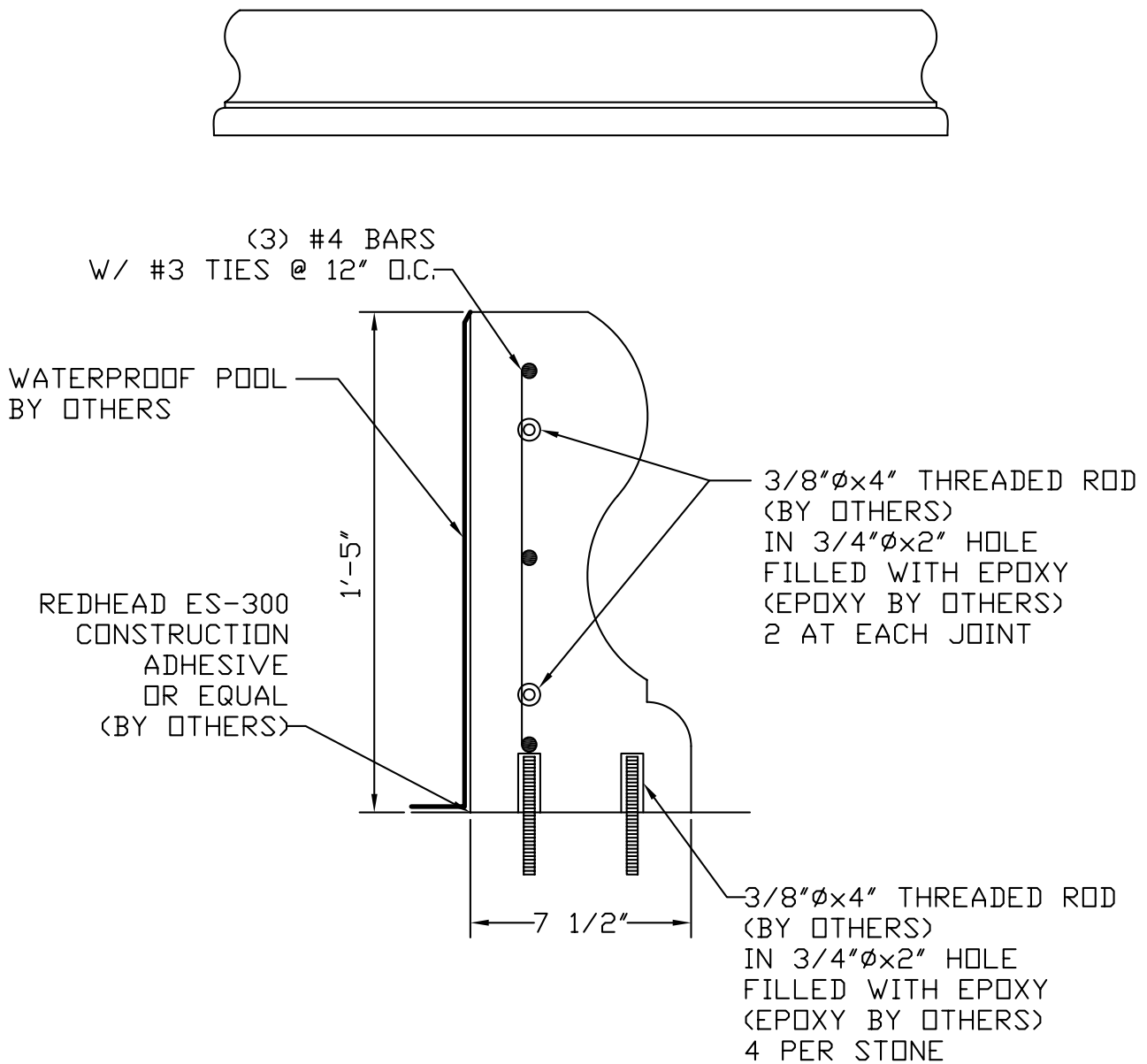
FT-400



FT-300
WEIR



POOL SURROUND PS-600 SERIES

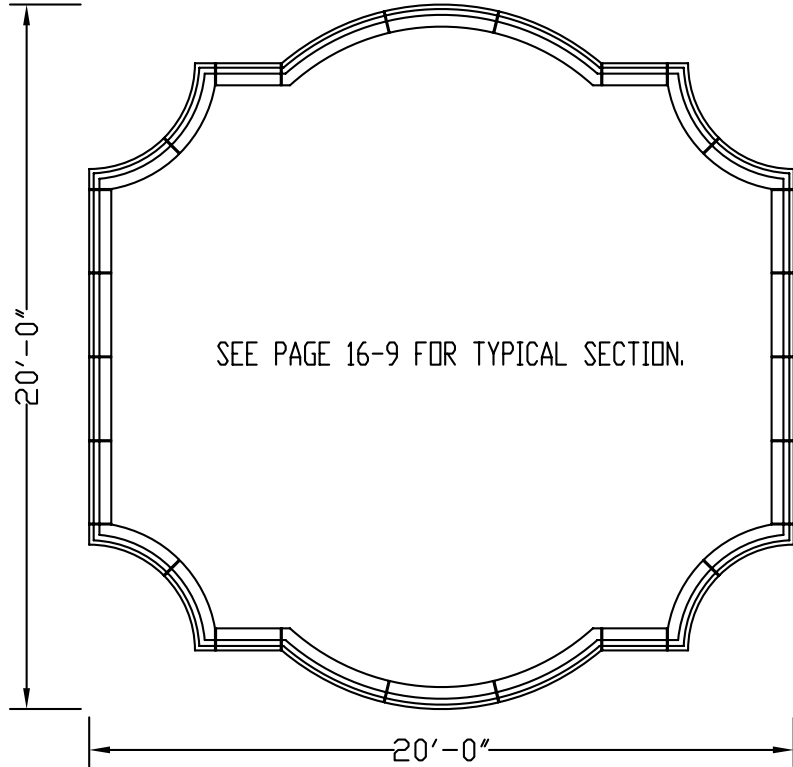


PS-600-STR
PS-600-7'-DSR
PS-600-DS-COR
PS-600-IS-COR
PS-600-3'-ISR
PS-600-4'9"-ISR

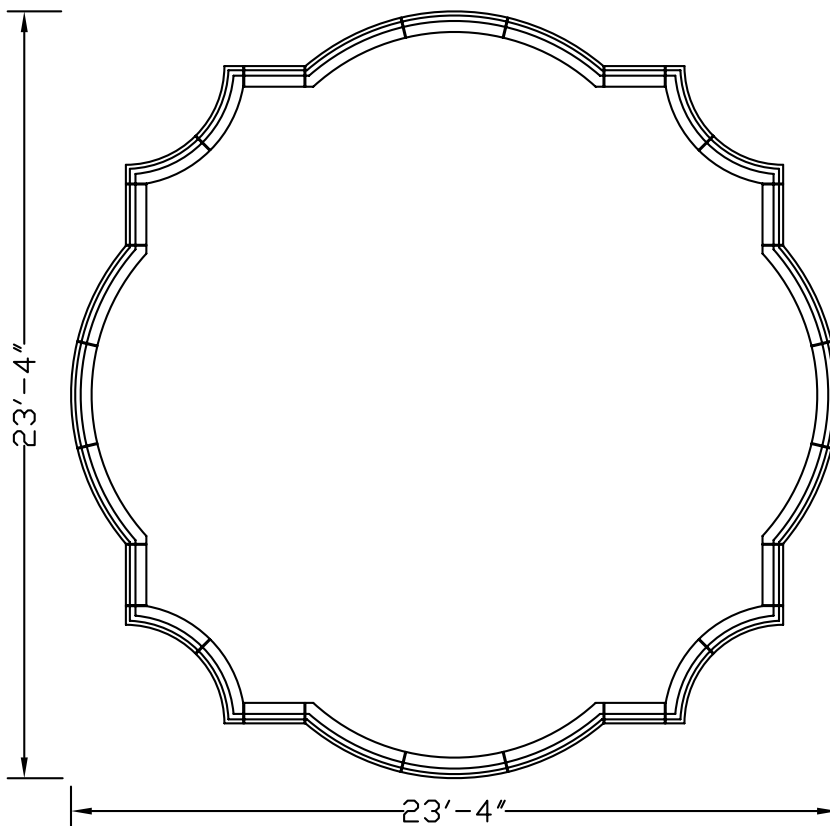


4280 WAYSIDE COURT LILBURN, GA. 30047. (770)921-9788. FAX 921-9910

POOL SURROUND PS-600 SERIES



EXAMPLE A

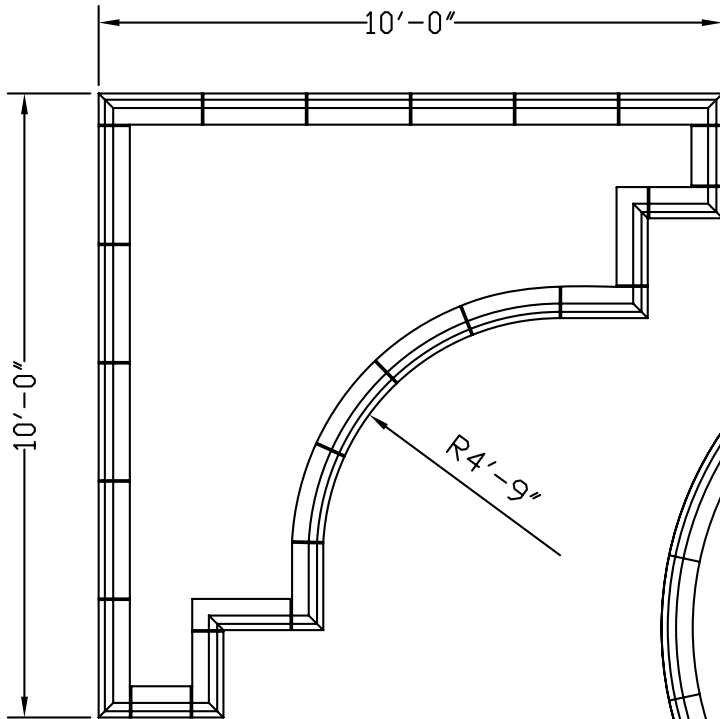


EXAMPLE B

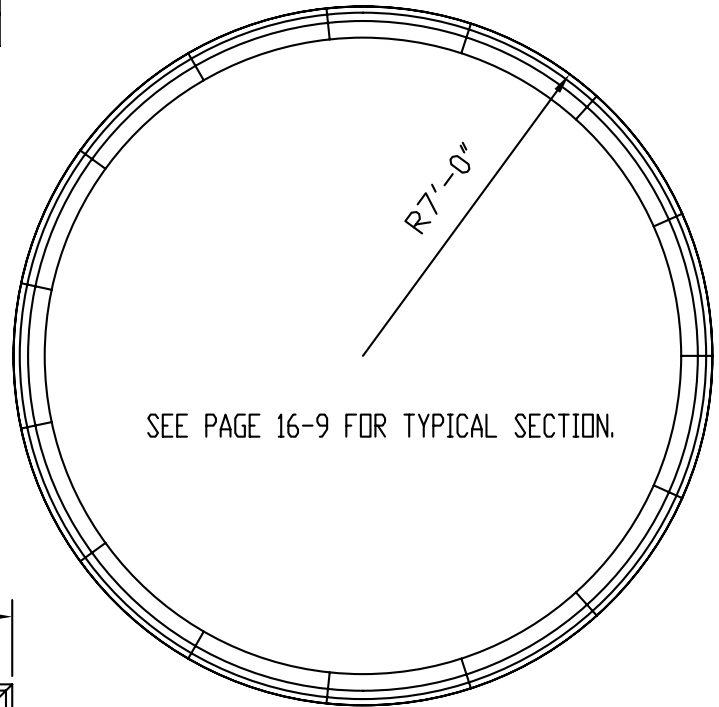


4280 WAYSIDE COURT LILBURN, GA. 30047. (770)921-9788. FAX 921-9910

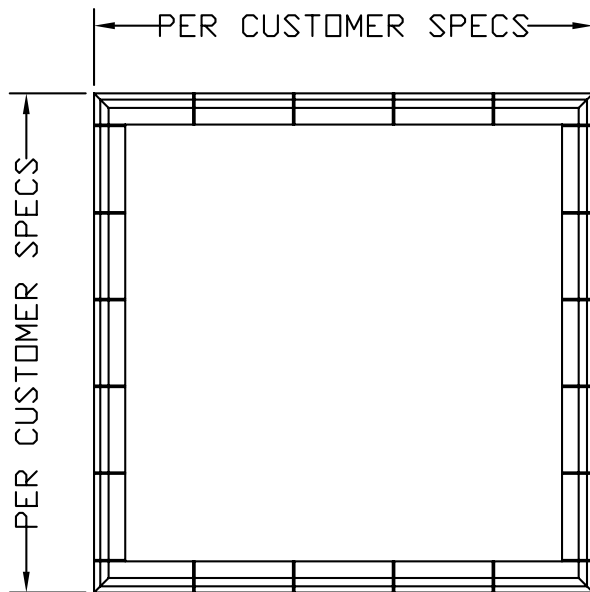
POOL SURROUND PS-600 SERIES



EXAMPLE C



EXAMPLE E

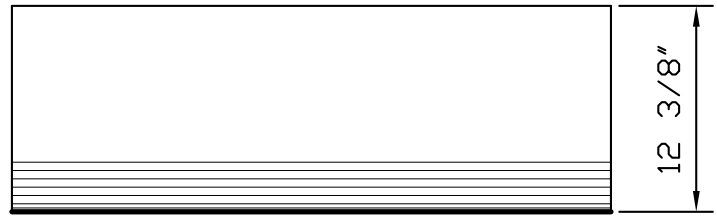
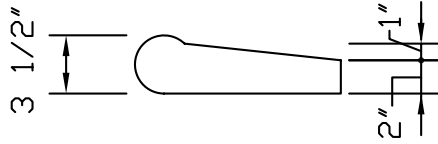


EXAMPLE D



4280 WAYSIDE COURT LILBURN, GA. 30047. (770)921-9788. FAX 921-9910

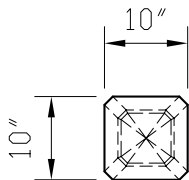
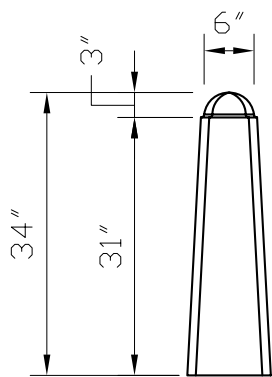
POOL SURROUND PS-102 SERIES



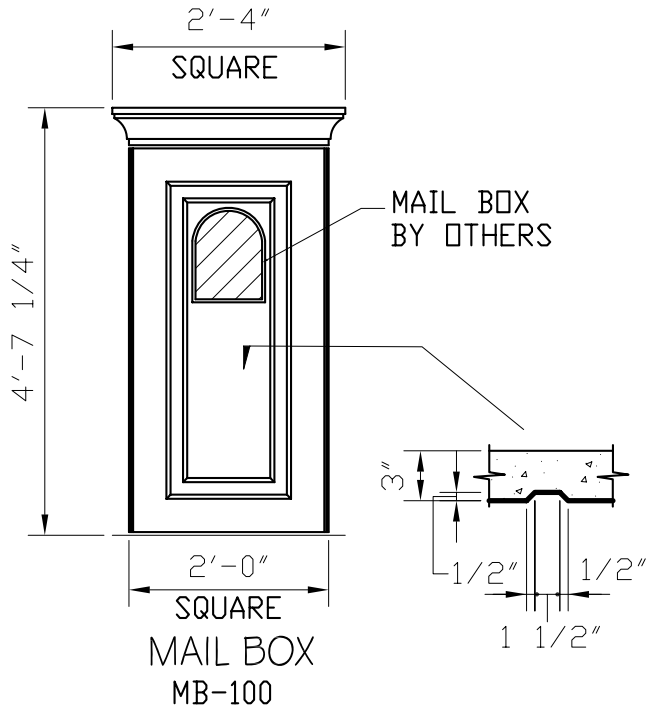
PLAN

- PS 102 1236 (STRAIGHT)
- PS 102 10 1/2" INSIDE RADIUS
- PS 102 61' INSIDE RADIUS
- PS 102 11' INSIDE RADIUS
- PS 102 17' INSIDE RADIUS
- PS 102 20' INSIDE RADIUS
- PS 102 22 1/2" OUTSIDE RADIUS
- PS 102 20'-6" OUTSIDE RADIUS
- PS 102 23' OUTSIDE RADIUS
- PS 102 INSIDE CORNER
- PS 102 OUTSIDE CORNER

MISC. ITEMS

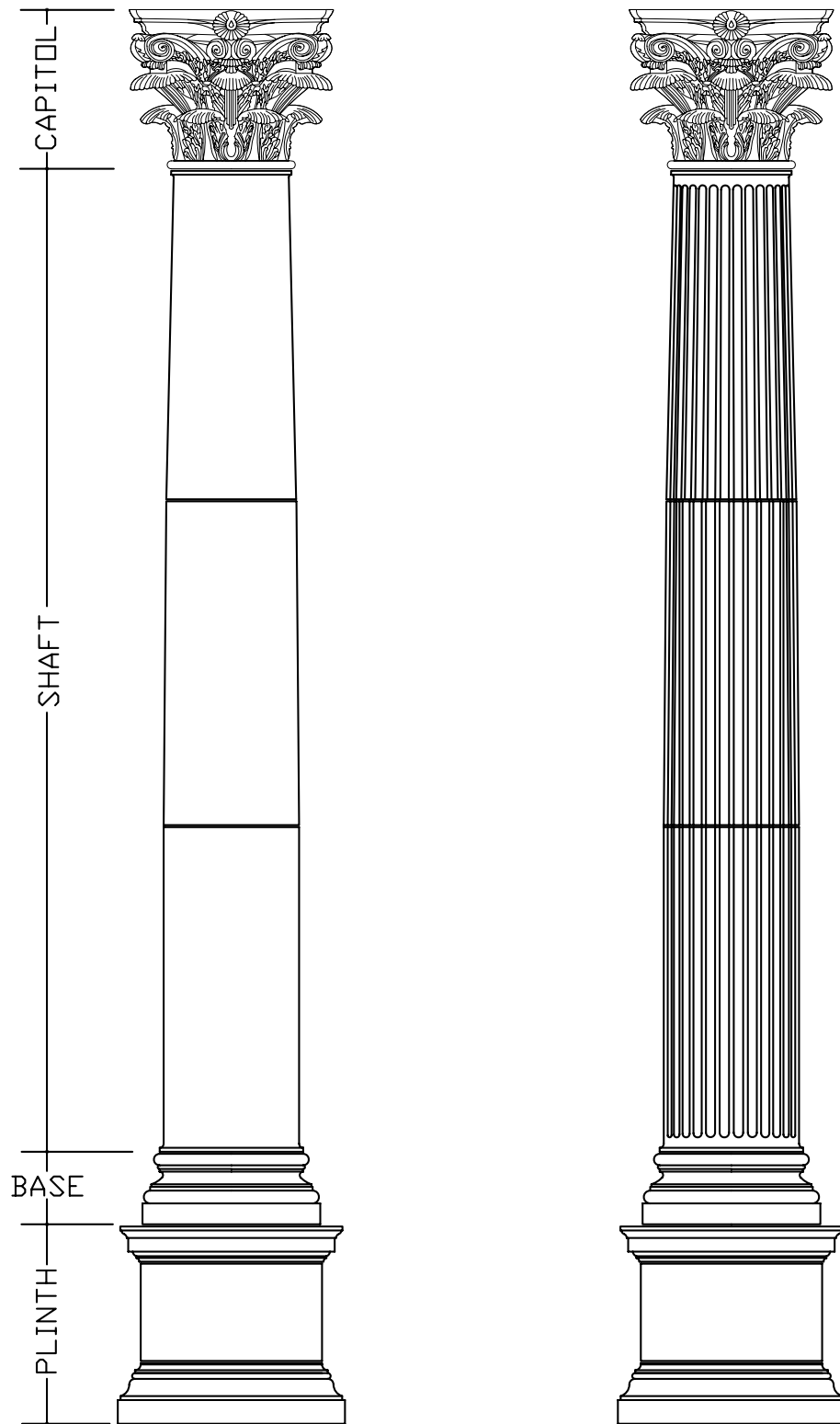


BALLARD
BAL-100-1010-34



4280 WAYSIDE COURT LILBURN, GA. 30047. (770)921-9788. FAX 921-9910

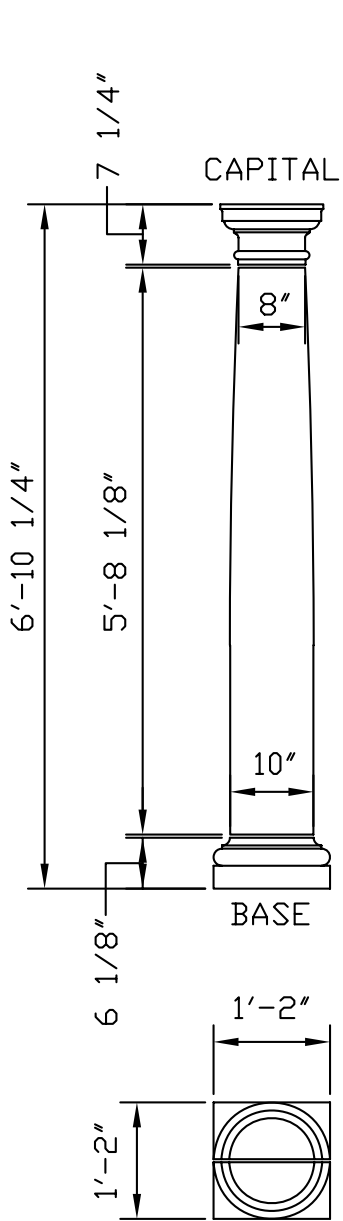
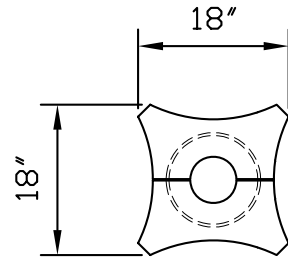
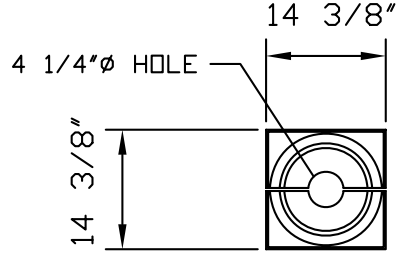
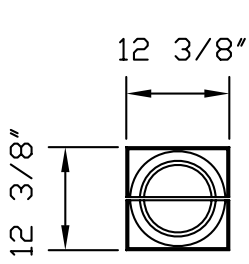
COLUMNS



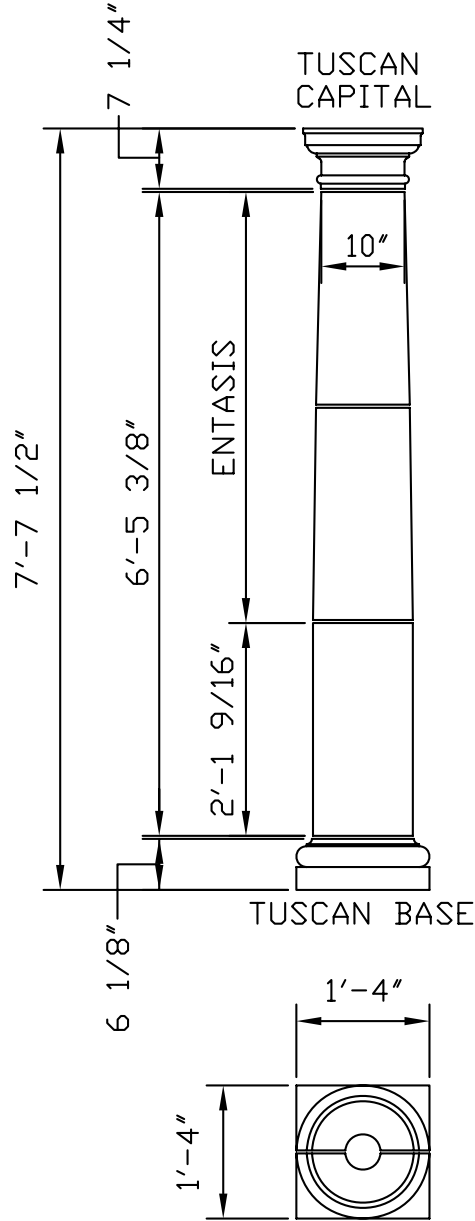
MOST COLUMNS AND PILASTERS CAN BE MATCHED WITH PLINTH BASES. CONTACT US FOR DESIGN HELP.

4280 WAYSIDE COURT LILBURN, GA. 30047. (770)921-9788. FAX 921-9910

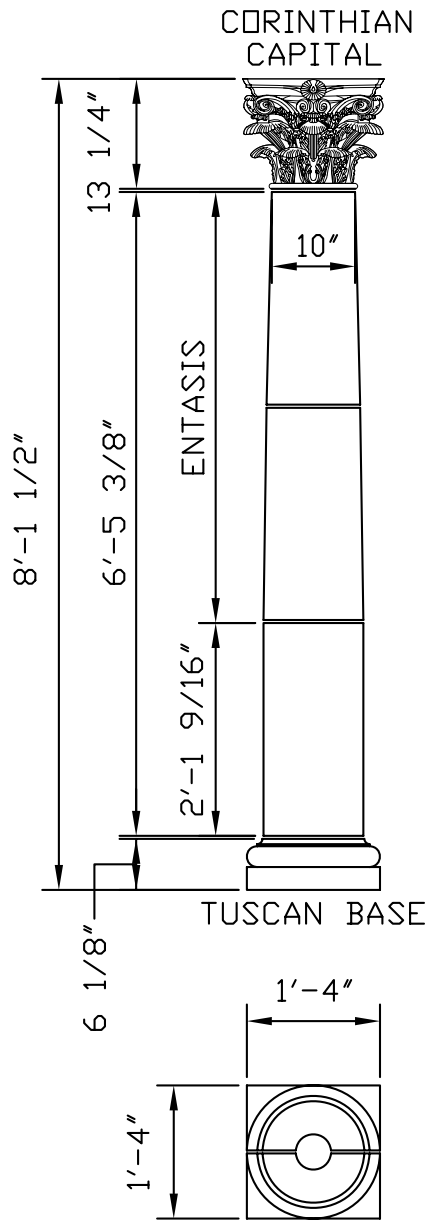
COLUMNS



COL-110



COL-112

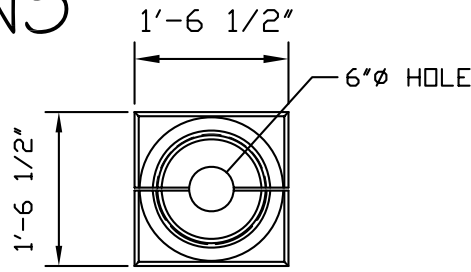


COL-112

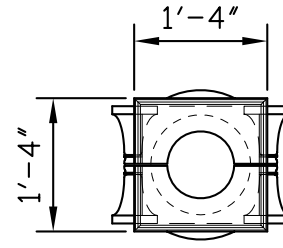


4280 WAYSIDE COURT LILBURN, GA. 30047. (770)921-9788. FAX 921-9910

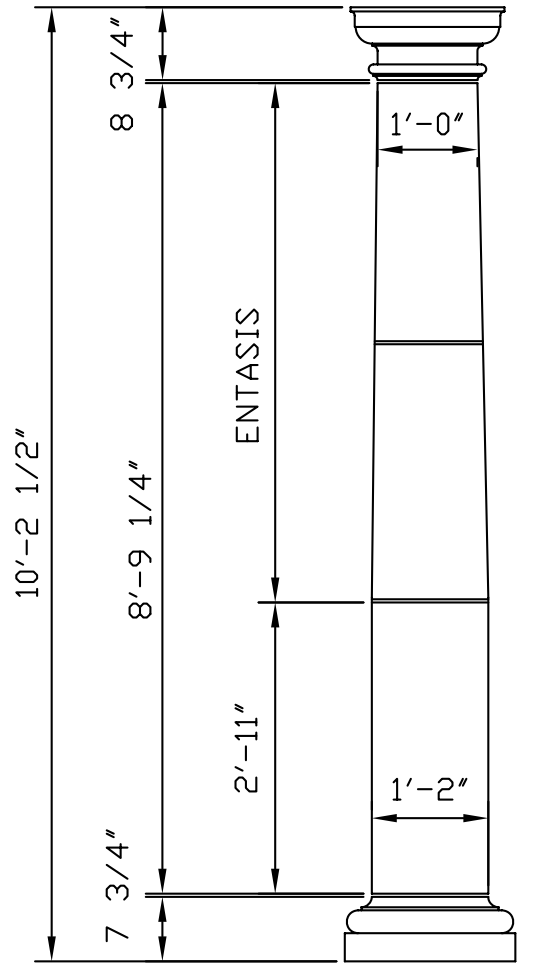
COLUMNS



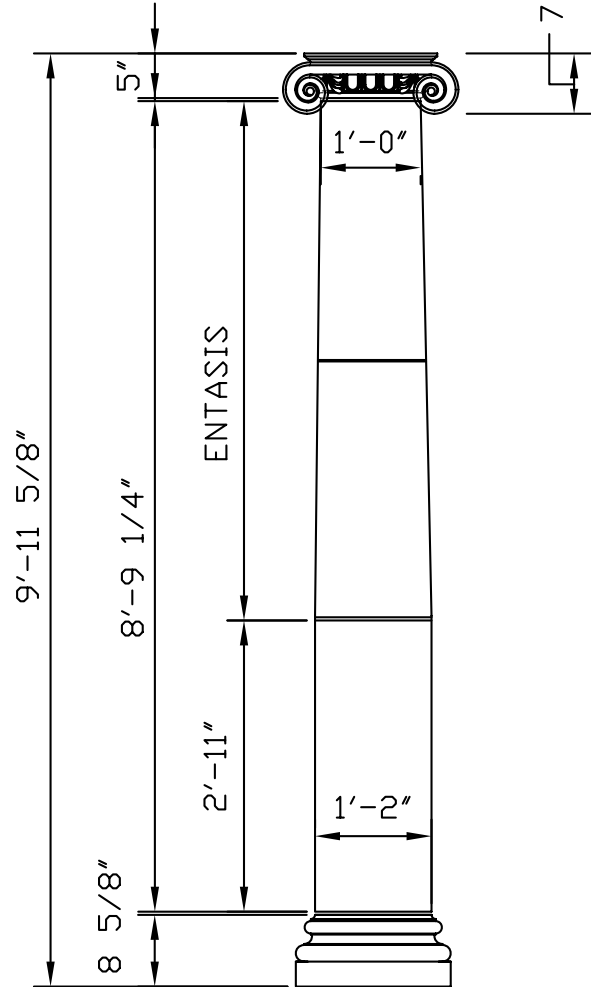
TUSCAN CAPITAL



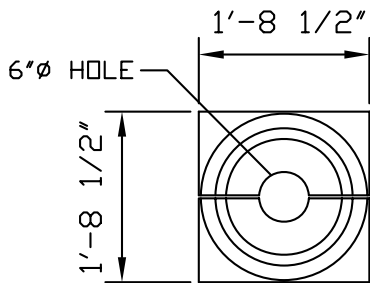
IONIC CAPITAL



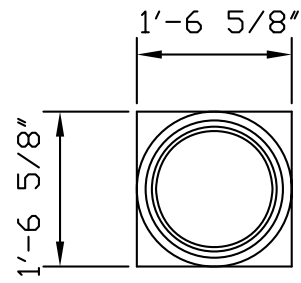
TUSCAN BASE



DORIC BASE



COL-114
TUSCAN

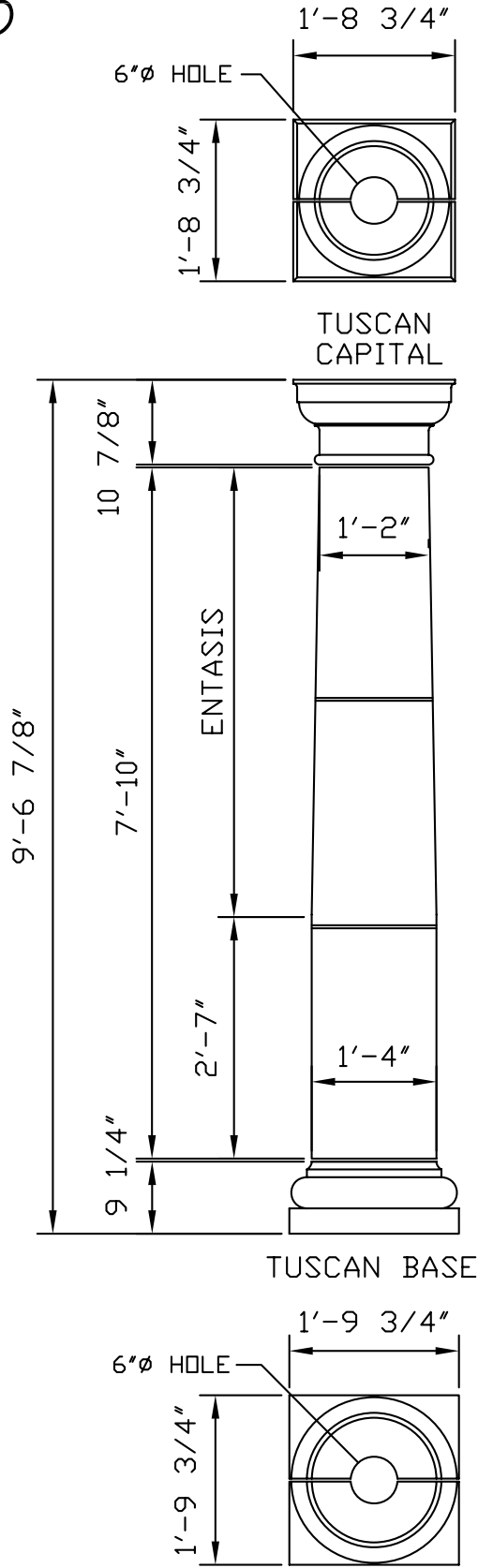


COL-114
IONIC



4280 WAYSIDE COURT LILBURN, GA. 30047. (770)921-9788. FAX 921-9910

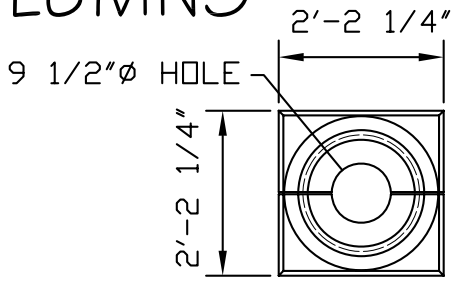
COLUMNS



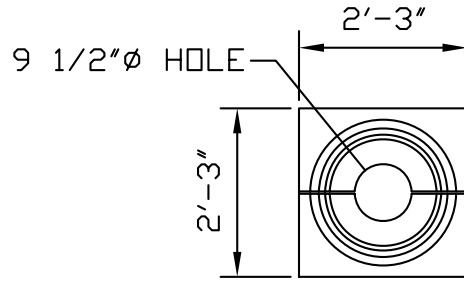
COL-116



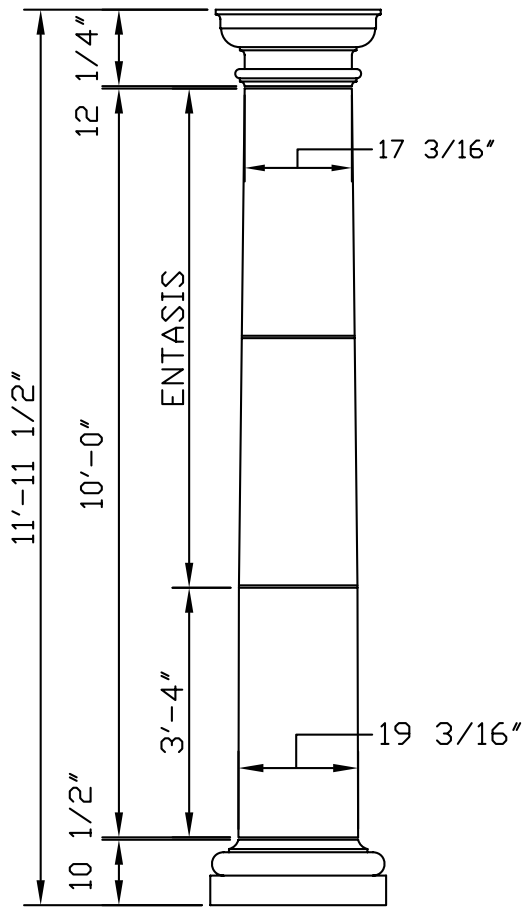
COLUMNS



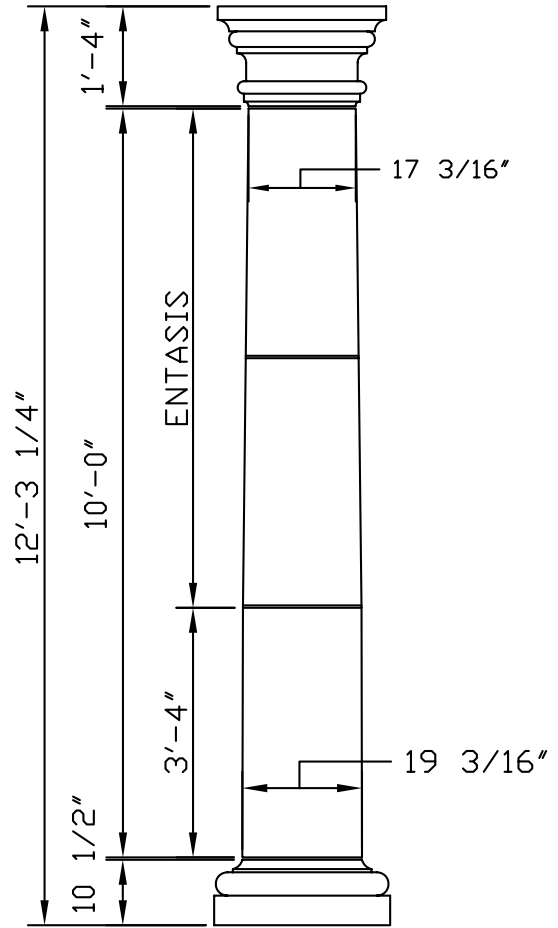
TUSCUN CAP



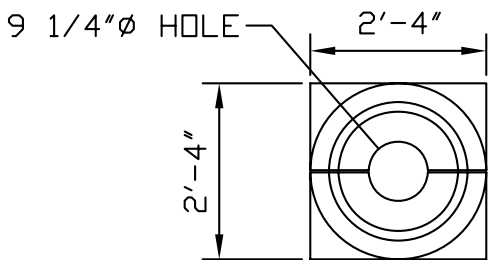
DORIC CAP



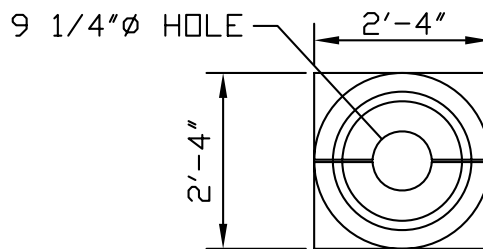
TUSCAN BASE



TUSCAN BASE



COL-119 TUSCAN



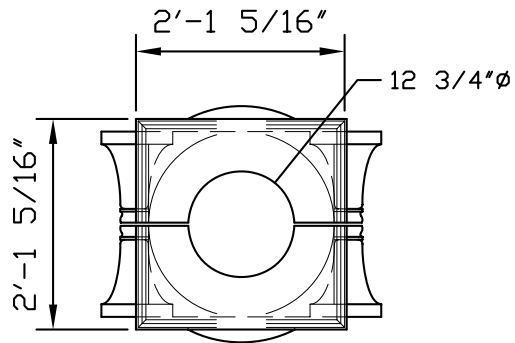
COL-119 DORIC



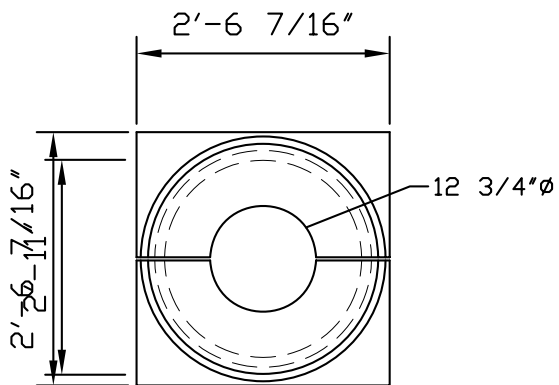
4280 WAYSIDE COURT LILBURN, GA. 30047. (770)921-9788. FAX 921-9910

COLUMN

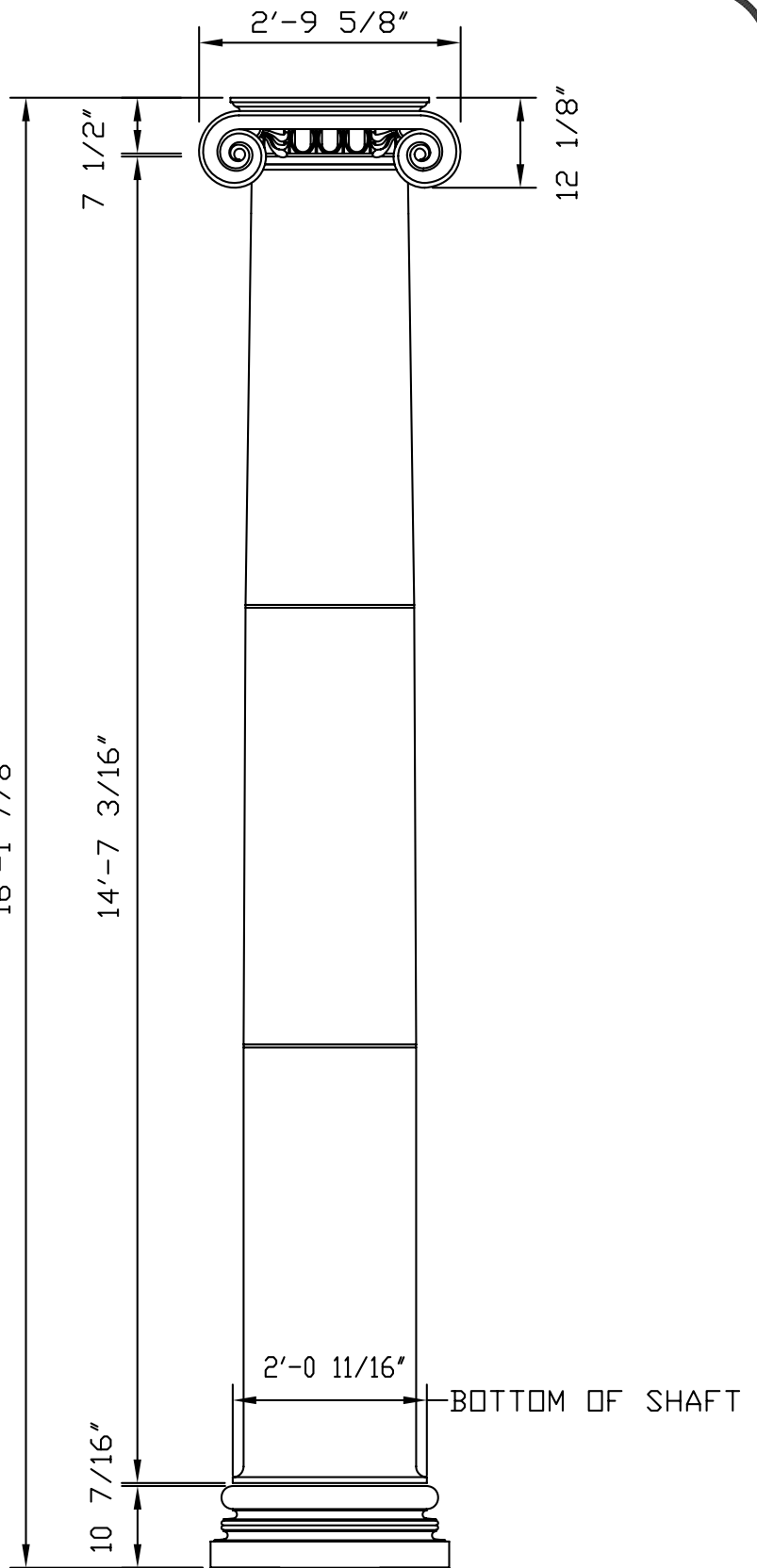
COL-122



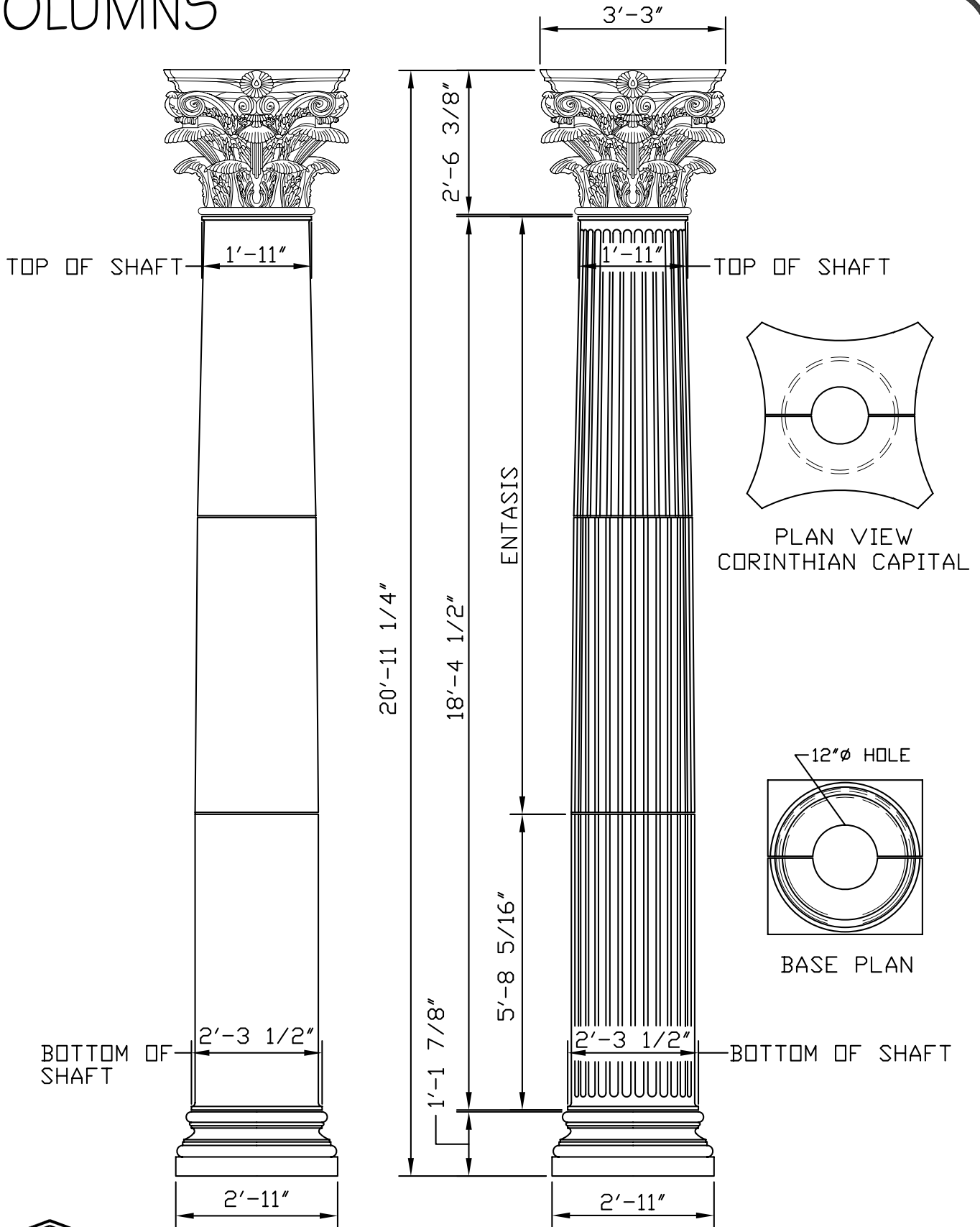
IONIC CAPITAL



BASE PLAN



COLUMNS



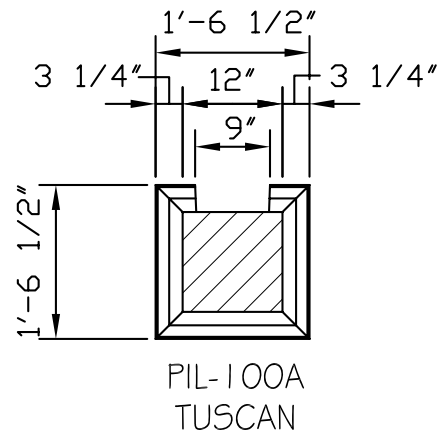
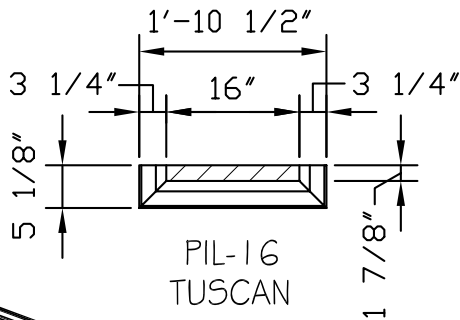
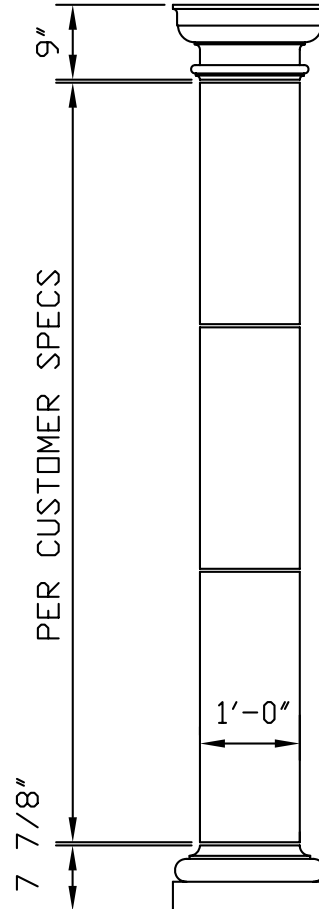
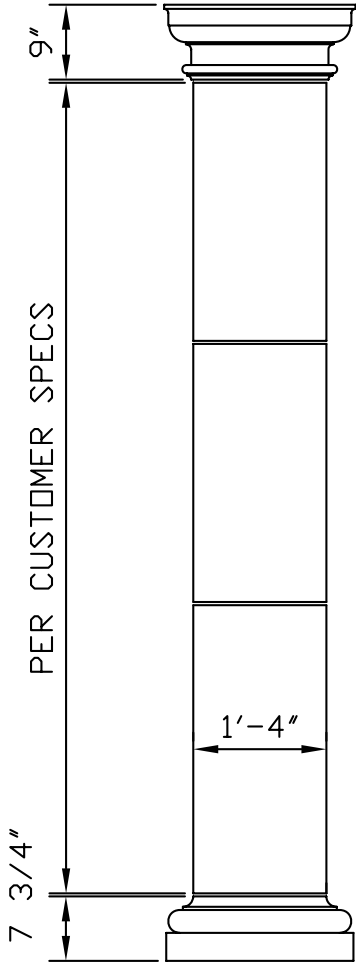
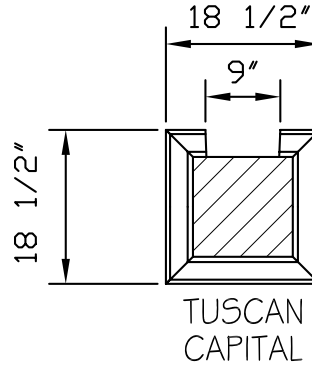
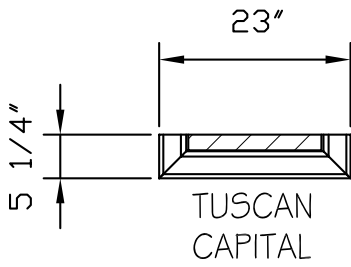
COL-226-SMOOTH

COL-226-FLUTTED

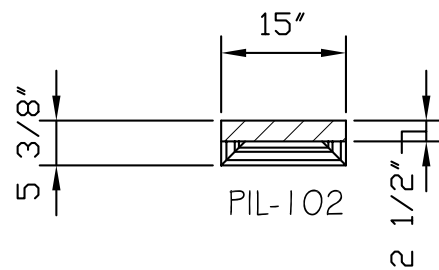
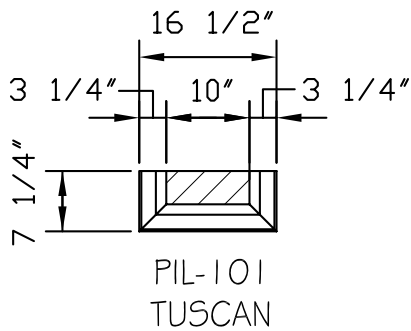
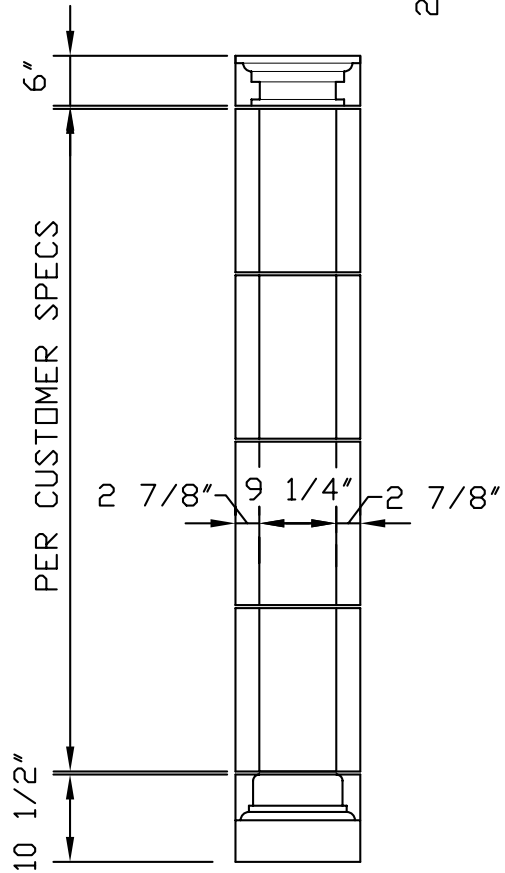
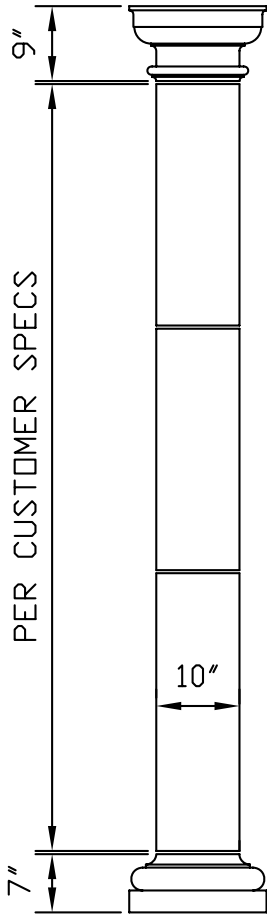
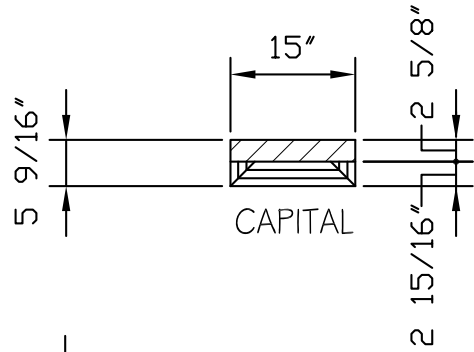
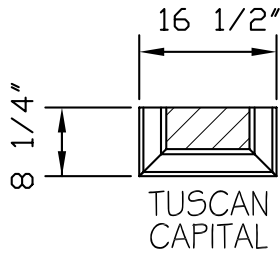


4280 WAYSIDE COURT LILBURN, GA. 30047. (770)921-9788. FAX 921-9910

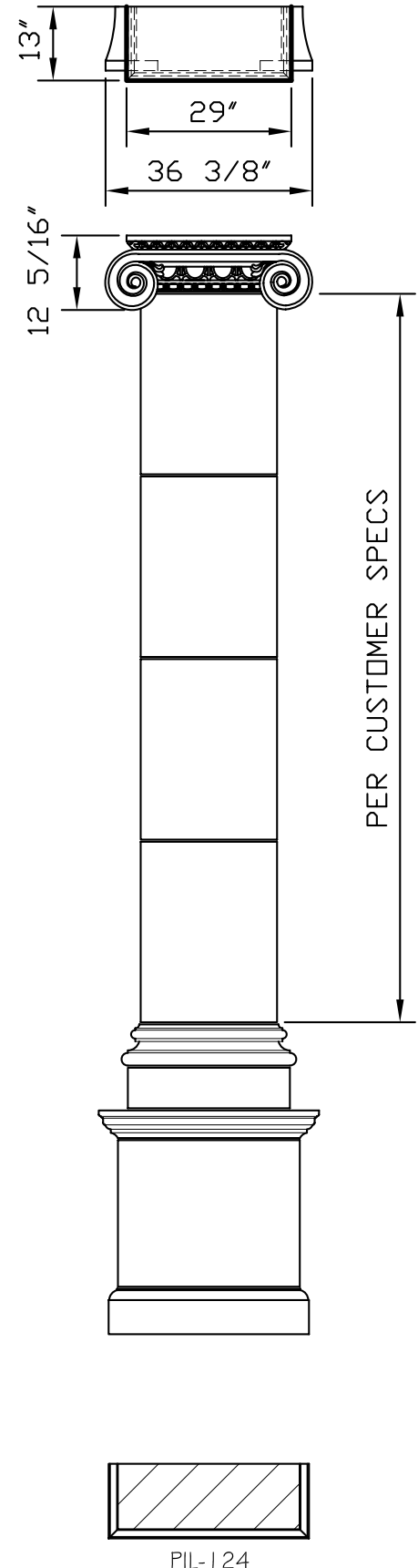
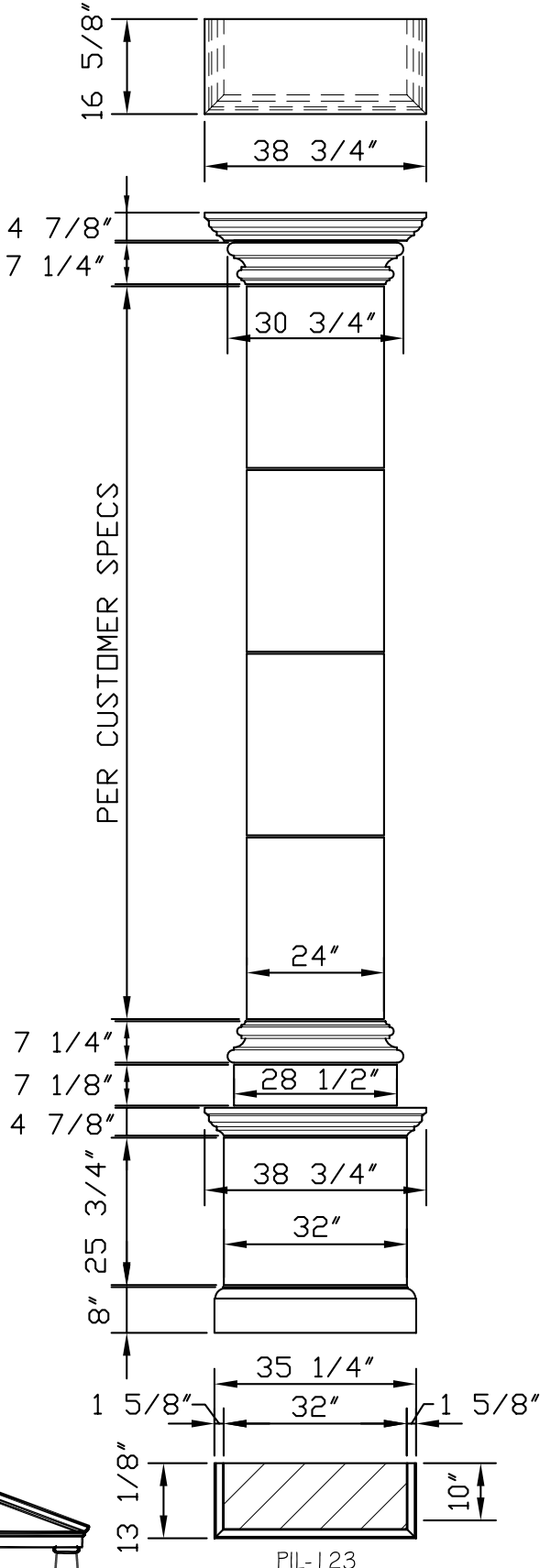
PILASTER



PILASTER

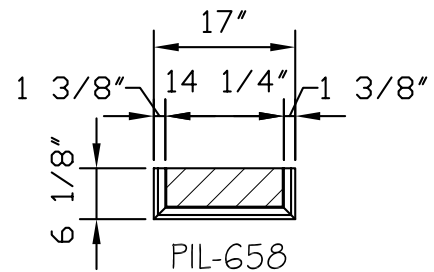
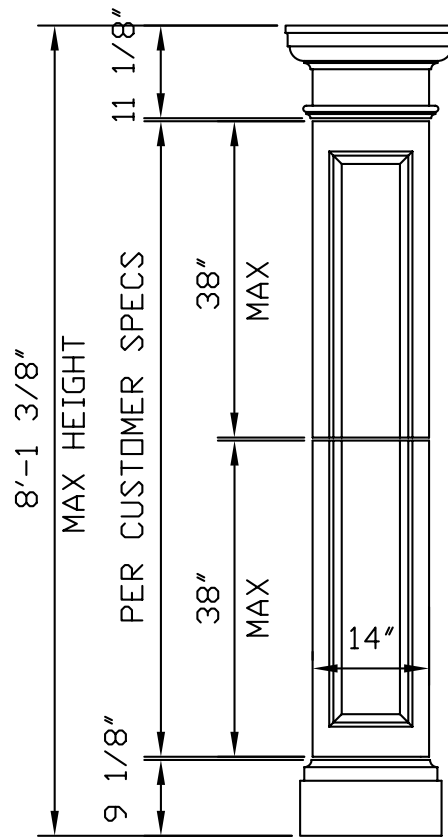
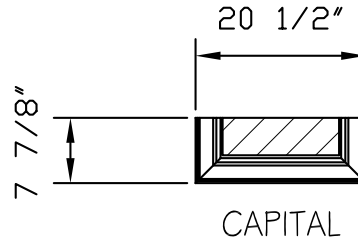
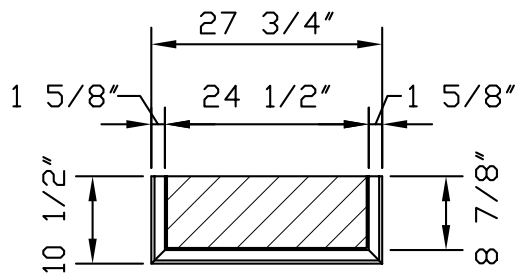
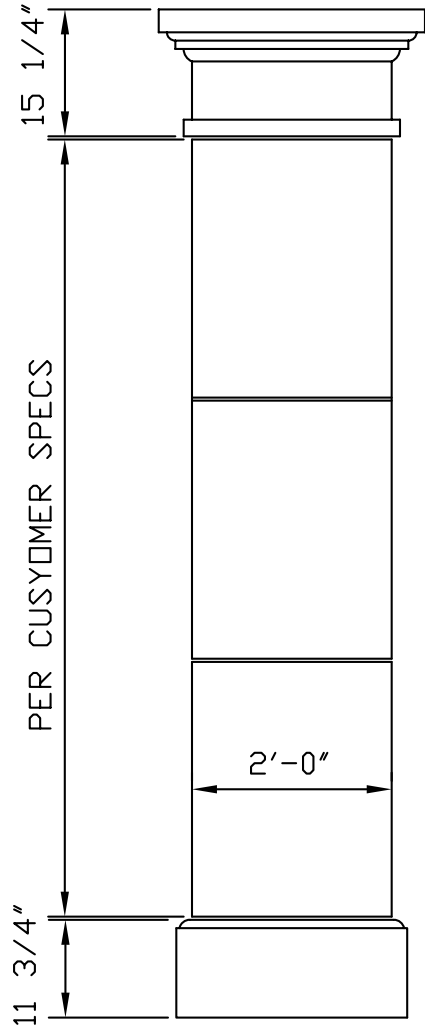
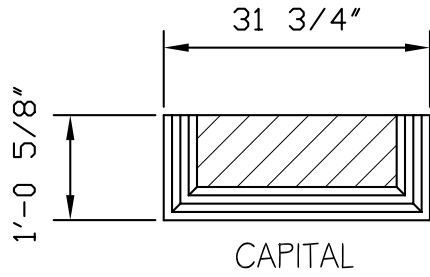


PILASTER



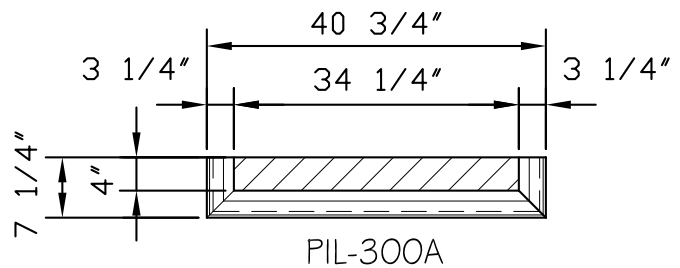
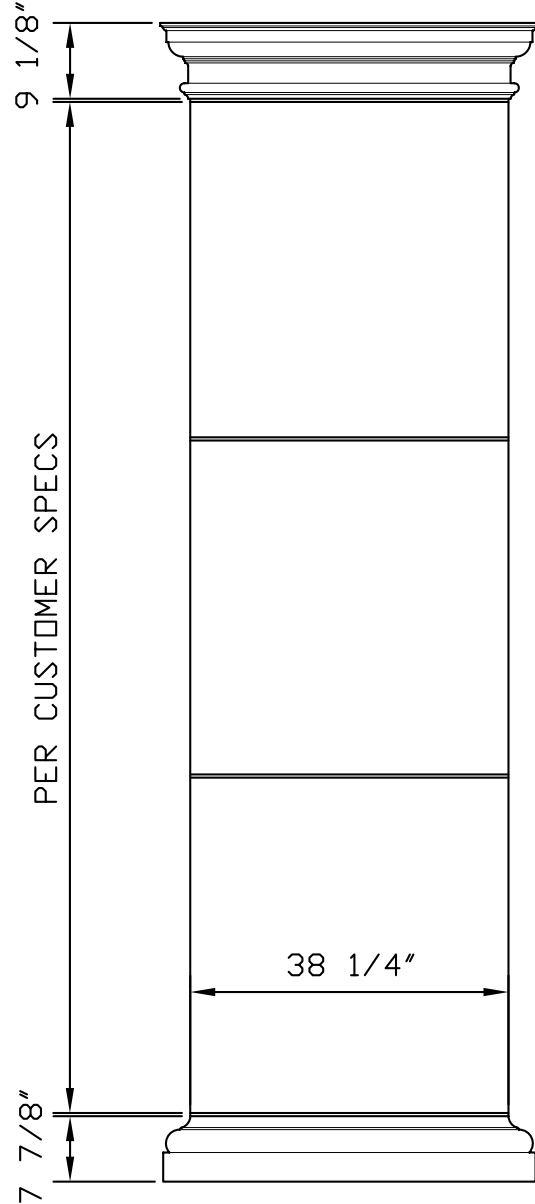
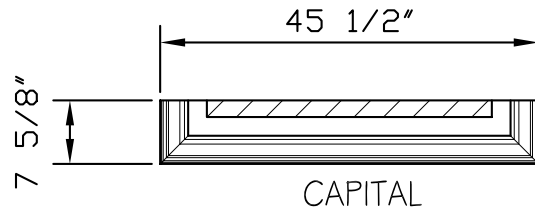
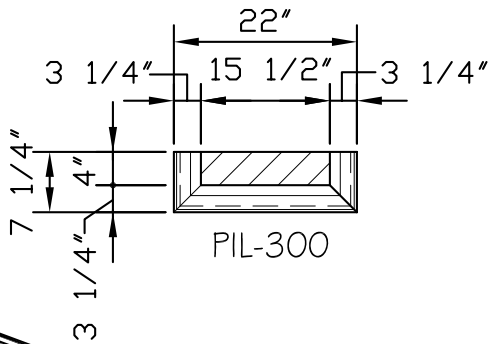
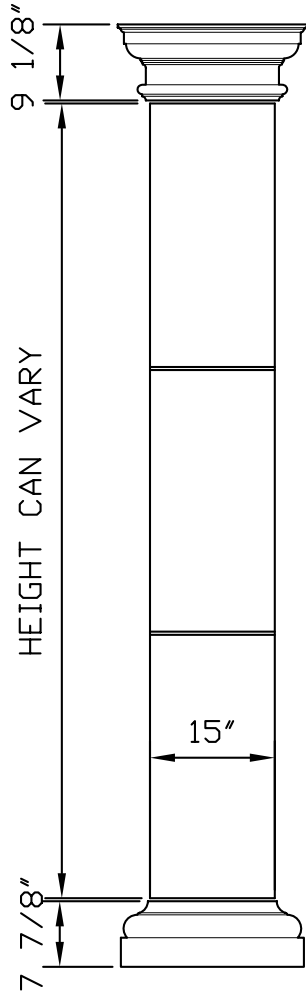
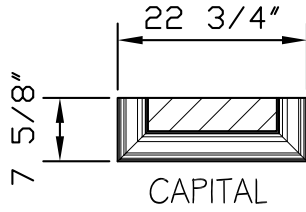
4280 WAYSIDE COURT LILBURN, GA. 30047. (770)921-9788. FAX 921-9910

PILASTER



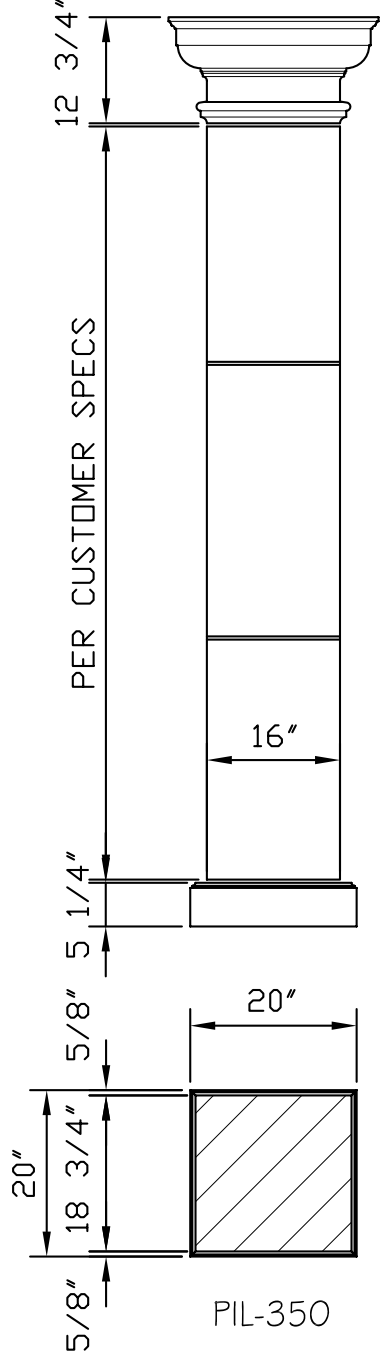
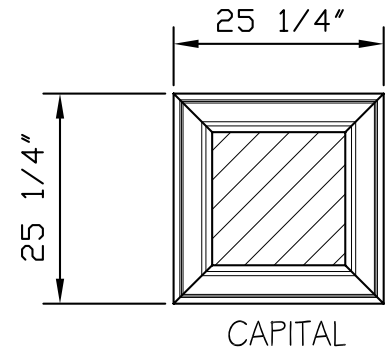
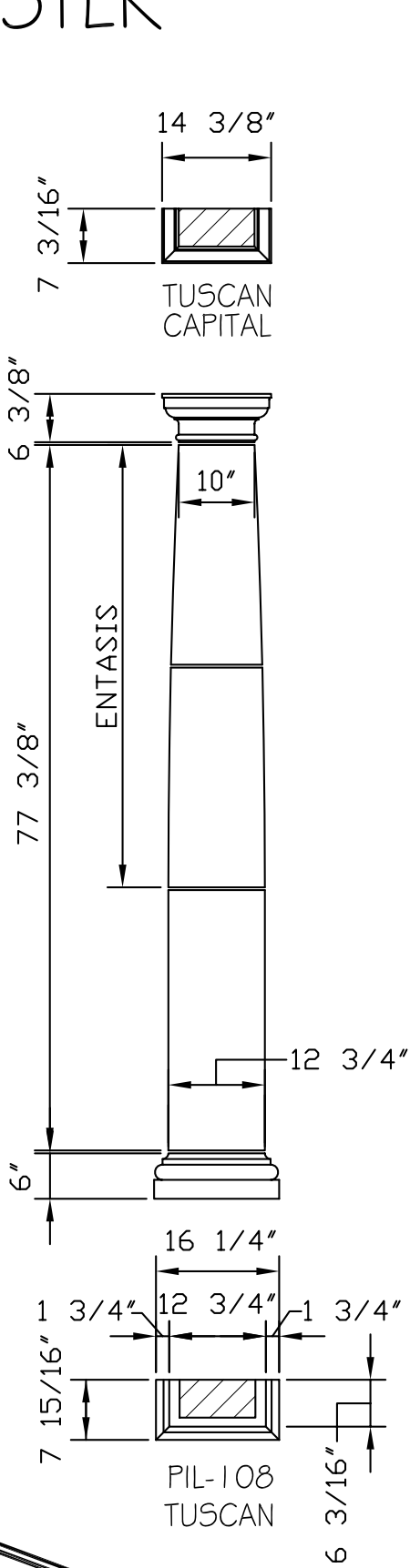
4280 WAYSIDE COURT LILBURN, GA. 30047. (770)921-9788. FAX 921-9910

PILASTER



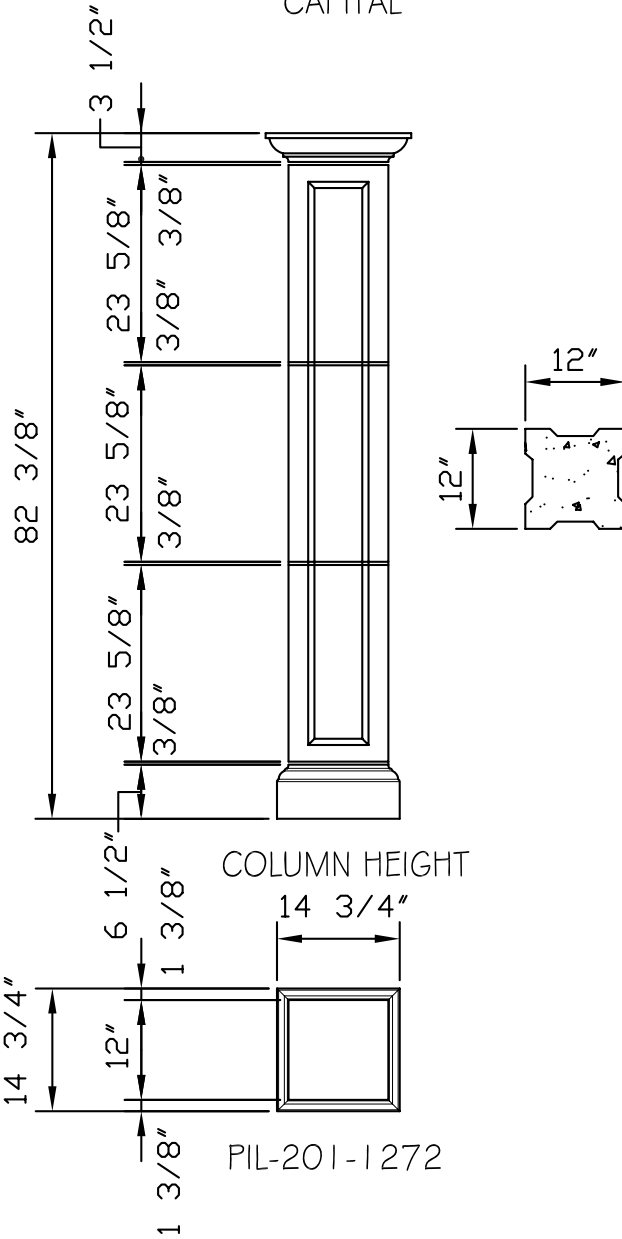
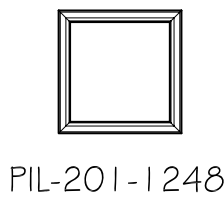
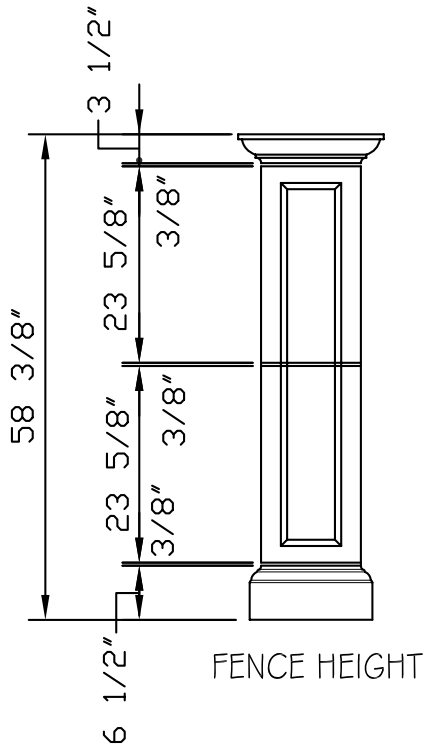
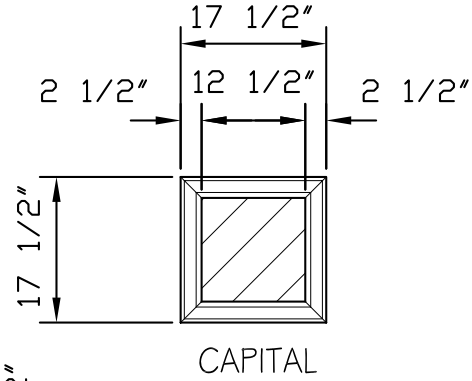
4280 WAYSIDE COURT LILBURN, GA. 30047. (770)921-9788. FAX 921-9910

PILASTER



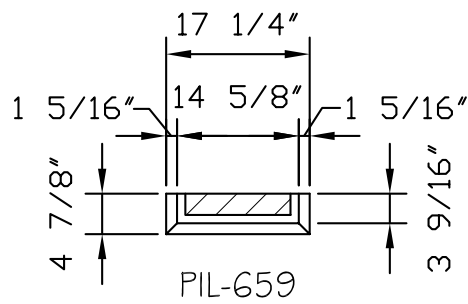
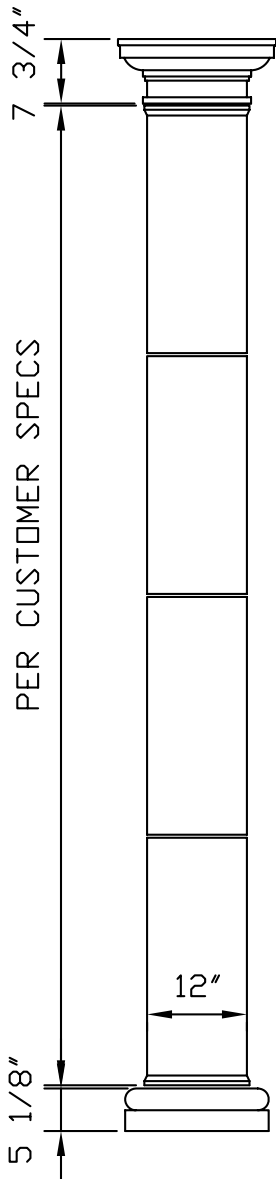
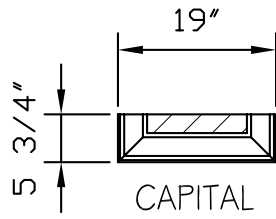
4280 WAYSIDE COURT LILBURN, GA. 30047. (770)921-9788. FAX 921-9910

PILASTER

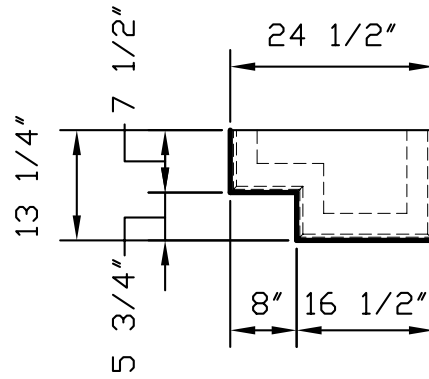


4280 WAYSIDE COURT LILBURN, GA. 30047. (770)921-9788. FAX 921-9910

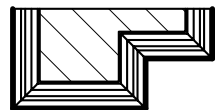
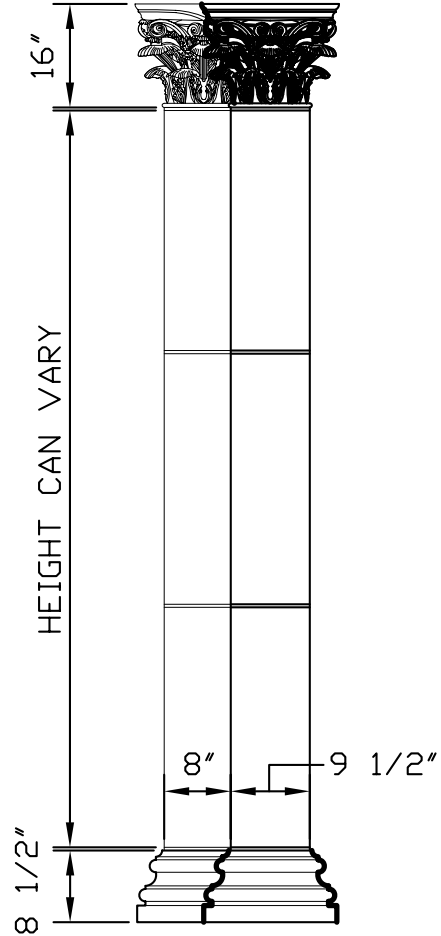
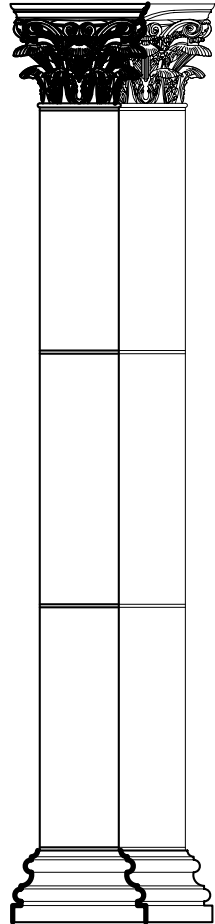
PILASTER



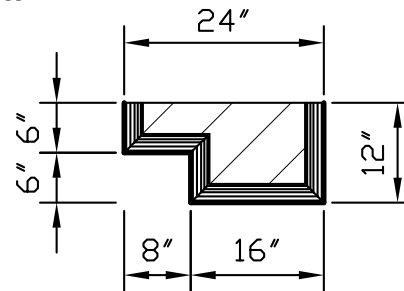
PILASTER



CORINTHIAN CAPITAL



PIL-111-RIGHT



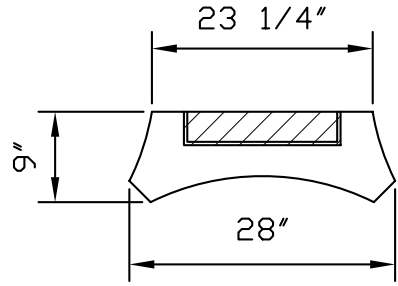
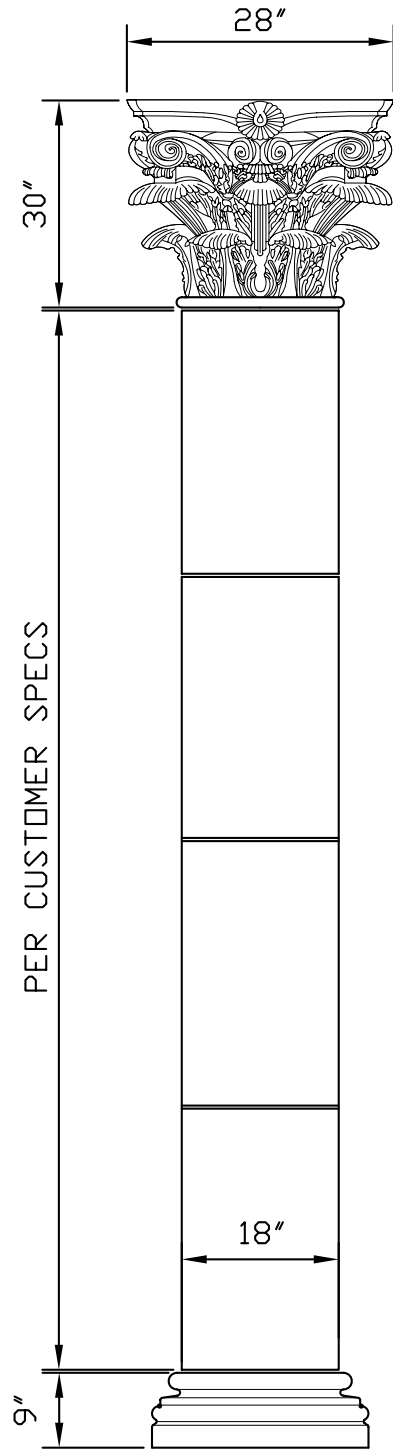
PIL-111-LEFT



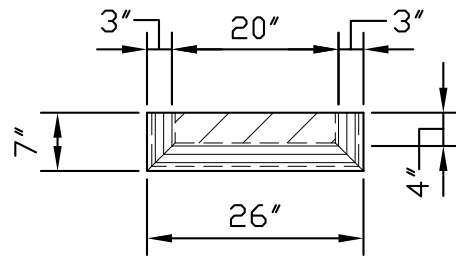
OLDE WORLD
CAST STONE

4280 WAYSIDE COURT LILBURN, GA. 30047. (770)921-9788. FAX 921-9910

PILASTER



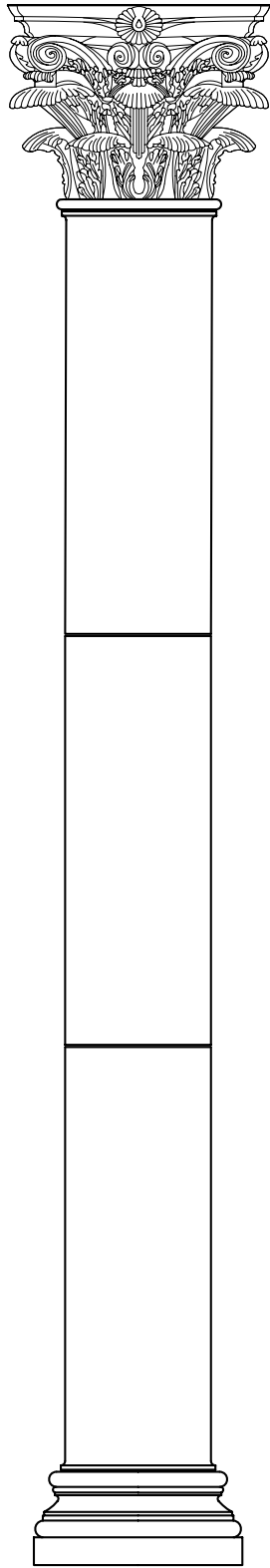
PLAN VIEW
CORINTHIAN CAPITAL



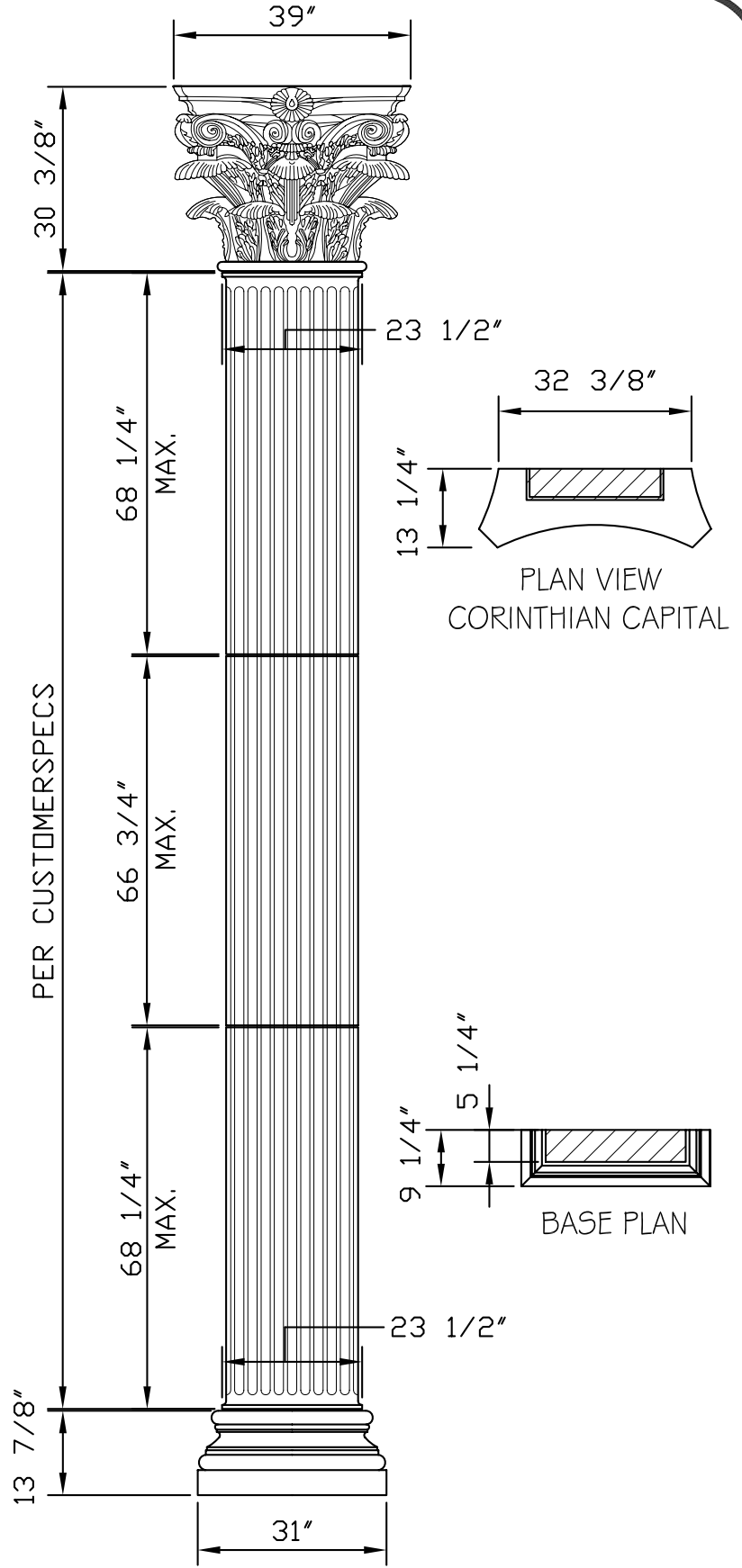
PIL-118



PILASTER



PIL-657-SMOOTH

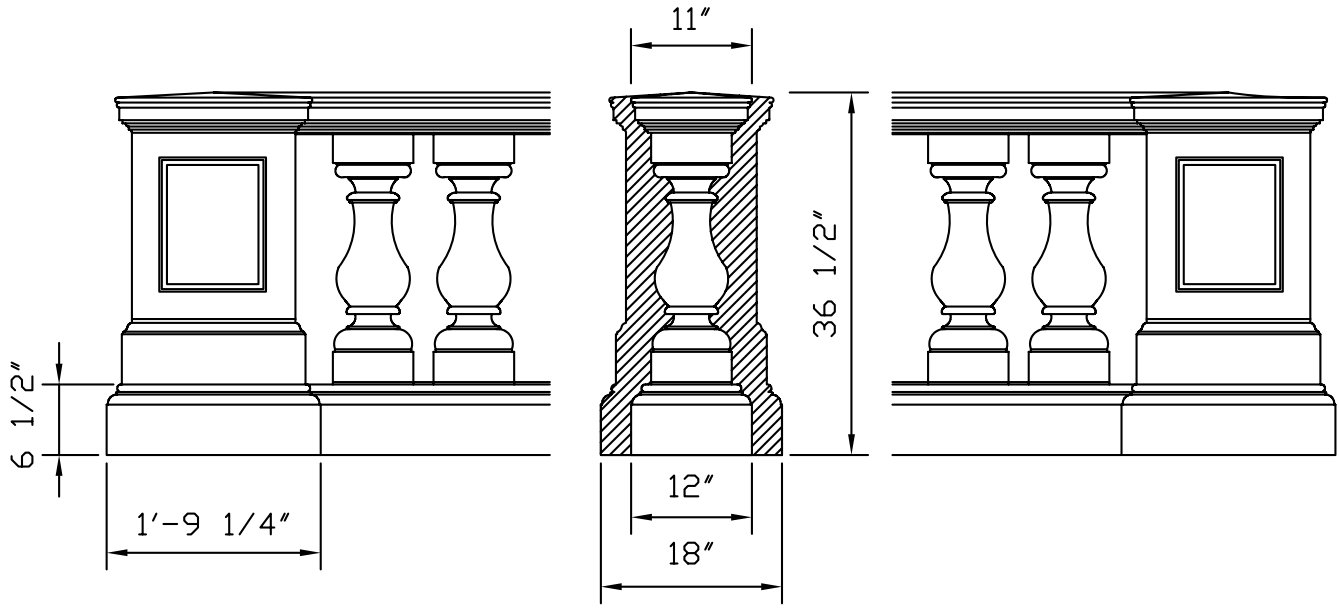


PIL-657-FLUTED

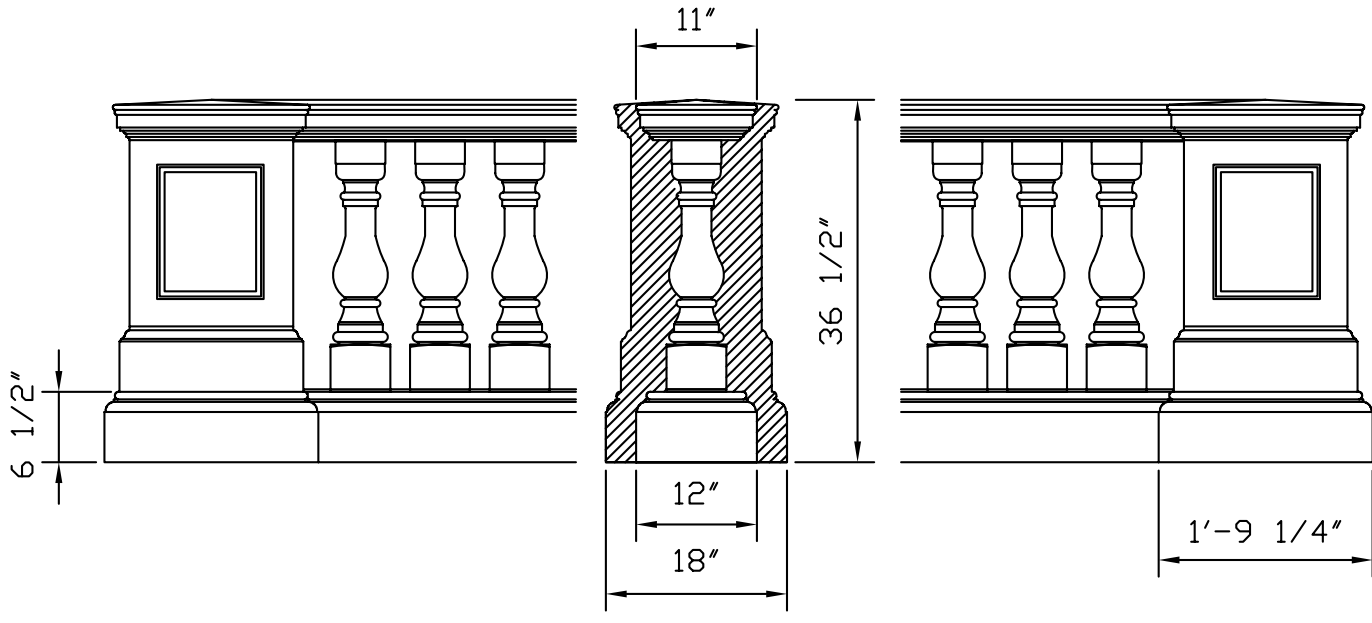


BALUSTER SYSTEM

BL-101 & BL-102



BL-101



BL-102

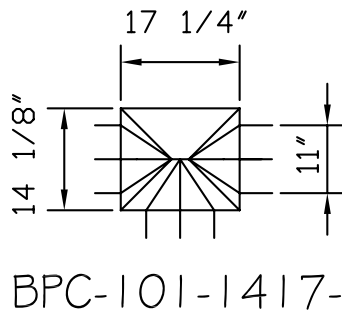
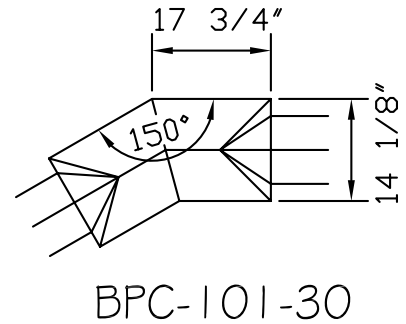
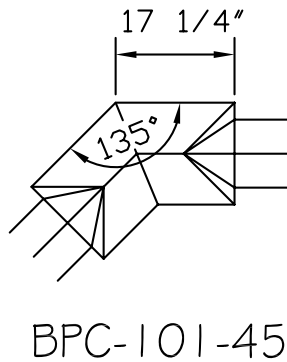
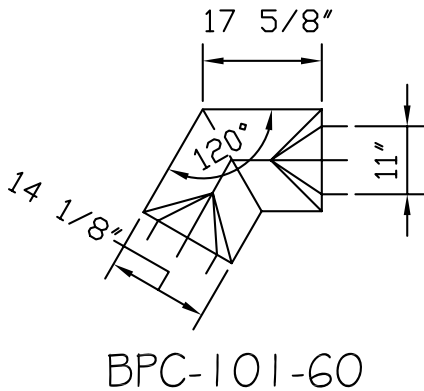
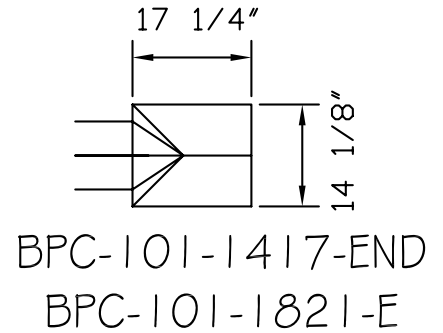
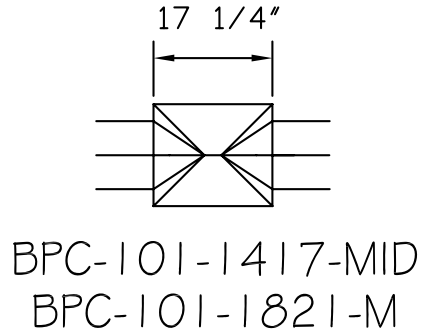
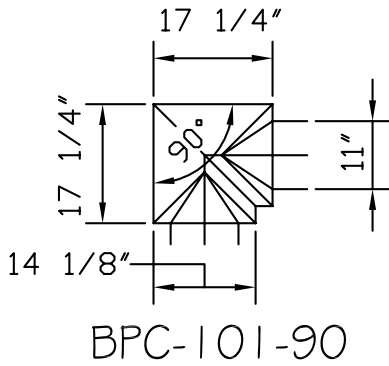
ALL PIERS ARRIVE AS 3 PIECES AND MUST BE ASSEMBLED.
 BALUSTERS ARE PRE-DRILLED WITH CENTER HOLES.
 INSTALLER MUST DRILL RAIL AND BASE AS REQUIRED ON SITE
 FOR NON-CORROSIVE DOWEL PINS. (BY INSTALLER)



**OLDE WORLD
 CAST STONE**

4280 WAYSIDE COURT LILBURN, GA. 30047. (770)921-9788. FAX 921-9910

BALUSTER SYSTEM BALUSTER PIER CAPS



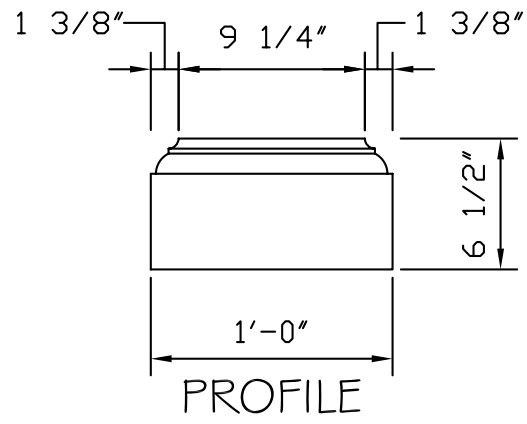
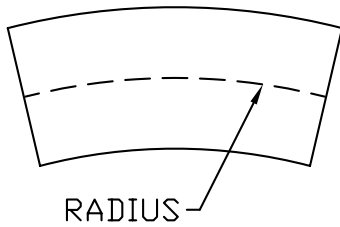
ALL 101 SERIES PIER CAPS AND BASES WILL WORK ON BOTH THE BL-101 AND BL-102 SYSTEMS. SEE PAGE 19-1



ALL PIERS ARRIVE AS 3 PIECES AND MUST BE ASSEMBLED. BALUSTERS ARE PRE-DRILLED WITH CENTER HOLES. INSTALLER MUST DRILL RAIL AND BASE AS REQUIRED ON SITE FOR NON-CORROSIVE DOWEL PINS. (BY INSTALLER)

4280 WAYSIDE COURT LILBURN, GA. 30047. (770)921-9788. FAX 921-9910

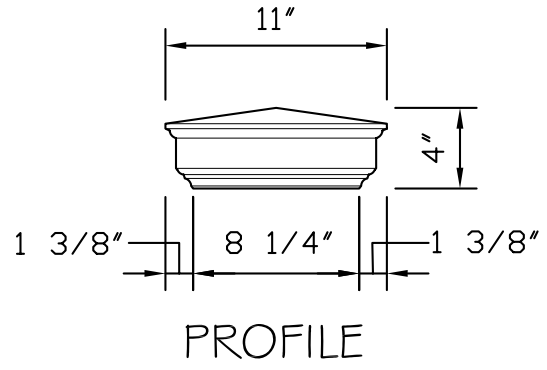
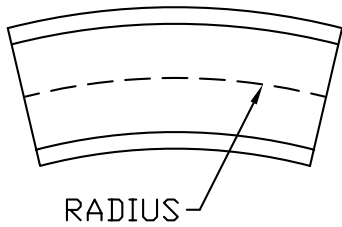
BALUSTER SYSTEM BL-101 RADIUS BASE



MOLD	RAD
BB-101-1239	1'-6"
BB-101-1236	2'-6"
BB-101-1236	3'-6"
BB-101-1230	4'-8"
BB-101-1230	5'-2"
BB-101-5'-6"	5'-6"
BB-101-7'-6"	7'-6"
BB-101-1236	8'-3"
BB-101-8'-6"	8'-6"
BB-101-1236	9'-10"
BB-101-1236	12'-0"
BB-101-1236	15'-0"
BB-101-19'-6"	19'-6"
BB-101-21'-6"	21'-6"
BB-101-269	22'-5"
BB-101-276"	23'-0"
BB-101-26'	26'-0"
BB-101-1236	26'-10"
BB-101-R-370	30'-10"
BB-101-1236	33'-8 3/8"
BB-101-R-615	51'-3"
BB-101-1236	51'-6"



BALUSTER SYSTEM BL-101 RADIUS RAIL

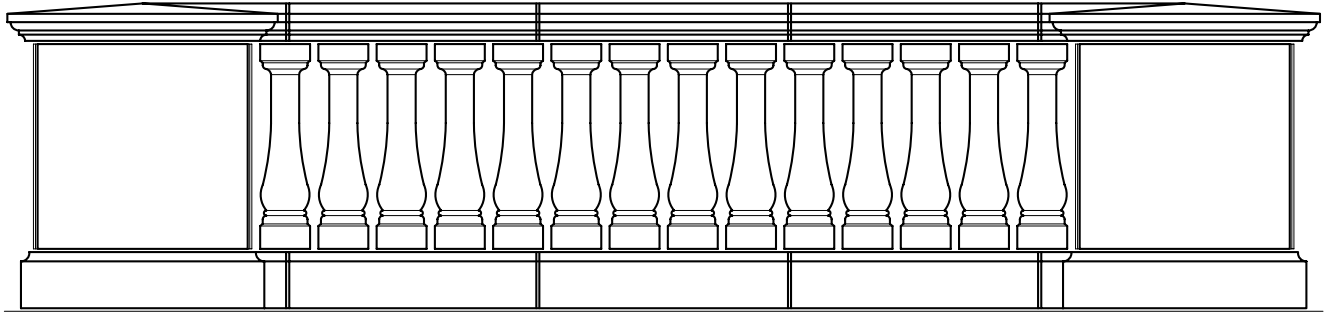


MOLD NUMBER	RAD
BR-101-0839	1'-6"
BR-101-0836	2'-6"
BR-101-0836	3'-6"
BR-101-0830	4'-8"
BR-101-0830	5'-2"
BR-101-5'-6"	5'-6"
BR-101-7'-6"	7'-6"
BR-101-0836	8'-3"
BR-101-8'-6	8'-6"
BR-101-0836	9'-10"
BR-101-0836	12'-0'
BR-101-0836	15'-0"
BR-101-19'-6"	19'-6"
BR-101-21'-6"	21'-6"
BR-101-269	22'-5"
BR-101-276	23'-0"
BR-101-26'	26'-0"
BR-101-0836	26'-10"
BR-101-R-370	30'-10"
BR-101-0836	33'-8 3/8"
BR-101-R 615	51'-3"
BR-101-0836	51'-6"

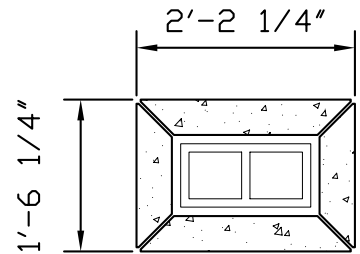
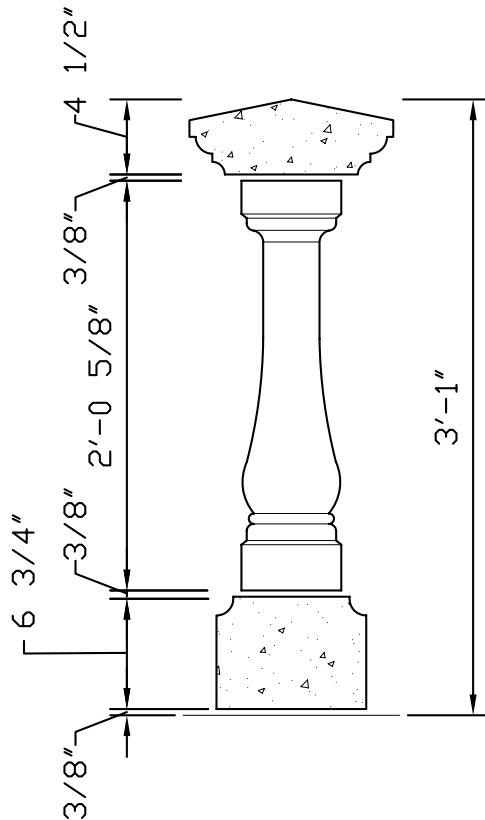
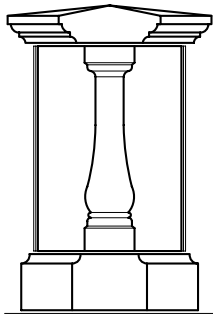


BALUSTER SYSTEM

BL-103



BL-103

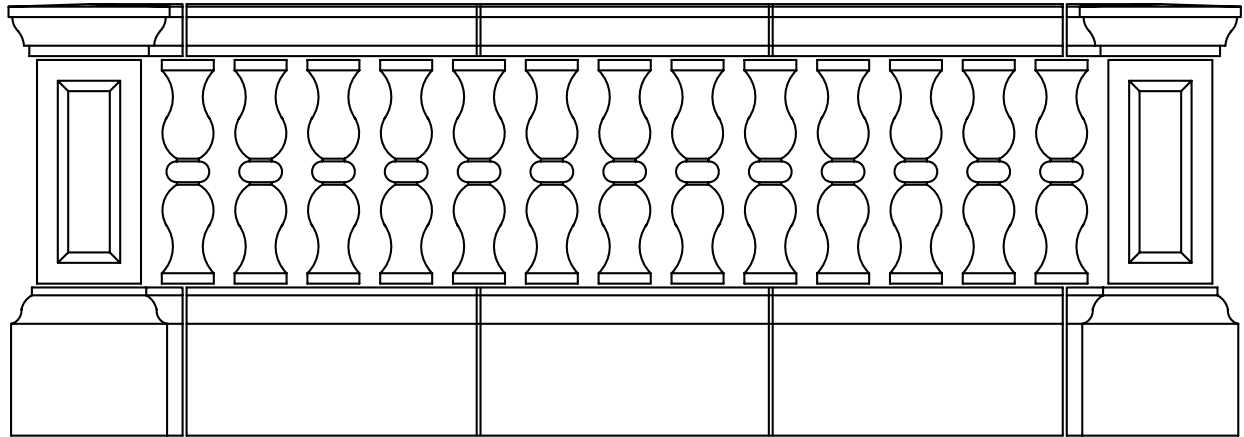


ALL PIERS ARRIVE AS 3 PIECES AND MUST BE ASSEMBLED.
 BALUSTERS ARE PRE-DRILLED WITH CENTER HOLES.
 INSTALLER MUST DRILL RAIL AND BASE AS REQUIRED ON SITE
 FOR NON-CORROSIVE DOWEL PINS. (BY INSTALLER)

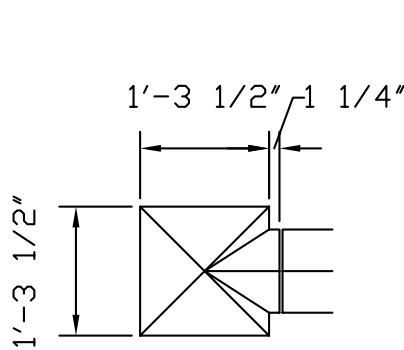
4280 WAYSIDE COURT LILBURN, GA. 30047. (770)921-9788. FAX 921-9910

BALUSTER SYSTEM

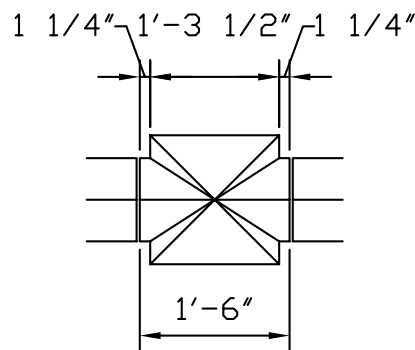
BL-104



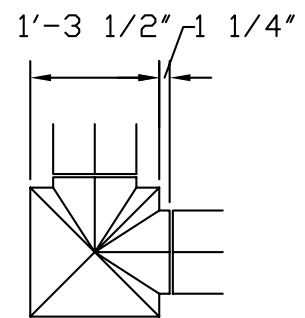
BL-104



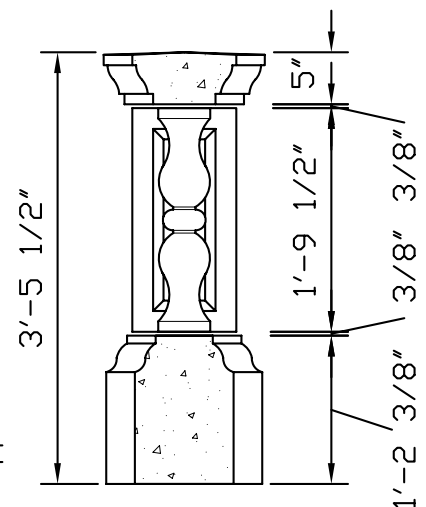
BPC-104-RE



BPC-104-M



BPC-104-90



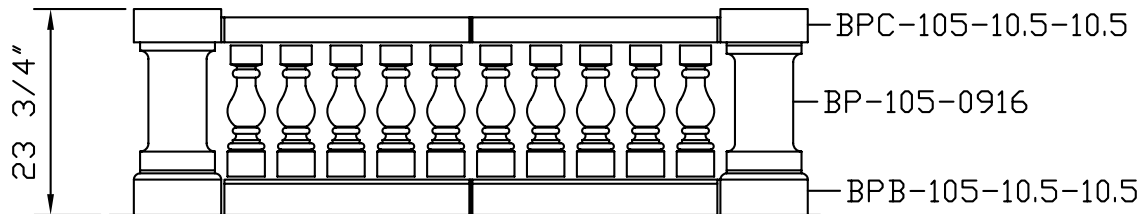
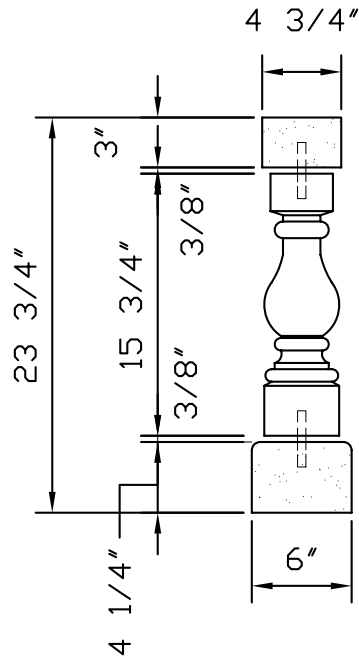
ALL PIERS ARRIVE AS 3 PIECES AND MUST BE ASSEMBLED.
 BALUSTERS ARE PRE-DRILLED WITH CENTER HOLES.
 INSTALLER MUST DRILL RAIL AND BASE AS REQUIRED ON SITE
 FOR NON-CORROSIVE DOWEL PINS. (BY INSTALLER)



OLDE WORLD
 CAST STONE

4280 WAYSIDE COURT LILBURN, GA. 30047. (770)921-9788. FAX 921-9910

BALUSTER SYSTEM BL-105



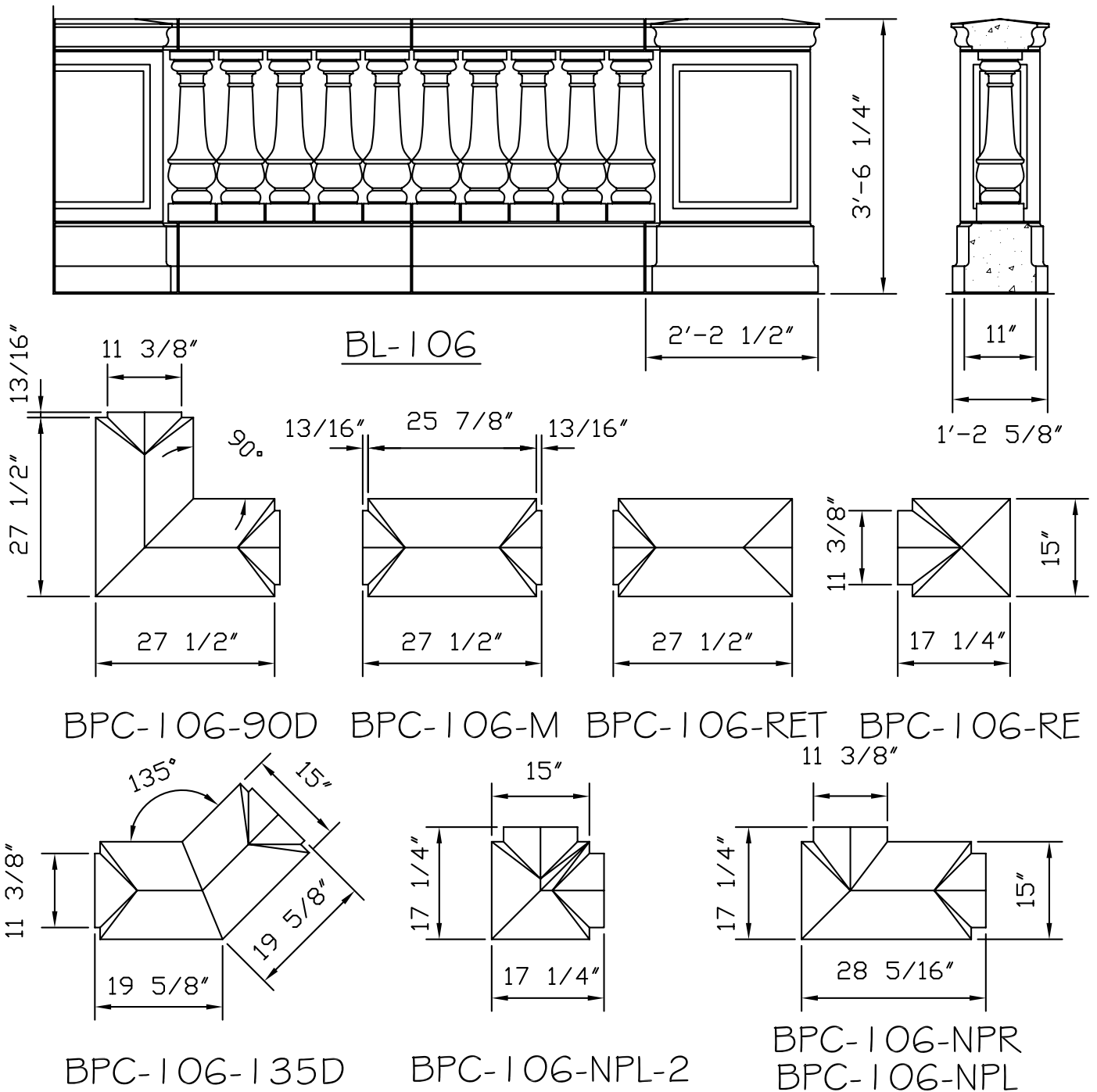
BL-105

ALL PIERS ARRIVE AS 3 PIECES AND MUST BE ASSEMBLED.
BALUSTERS ARE PRE-DRILLED WITH CENTER HOLES.
INSTALLER MUST DRILL RAIL AND BASE AS REQUIRED ON SITE
FOR NON-CORROSIVE DOWEL PINS. (BY INSTALLER)



4280 WAYSIDE COURT LILBURN, GA. 30047. (770)921-9788. FAX 921-9910

BALUSTER SYSTEM BL-106



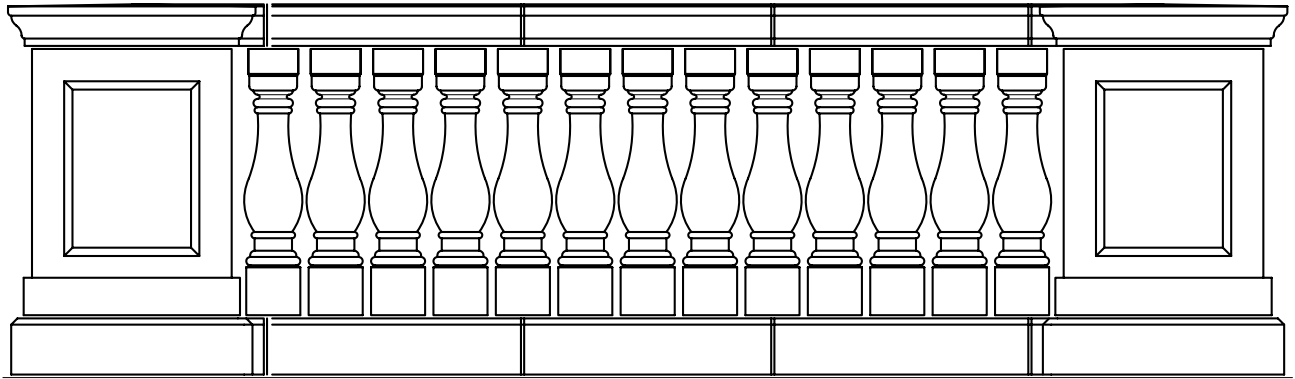
ALL PIERS ARRIVE AS 3 PIECES AND MUST BE ASSEMBLED.
BALUSTERS ARE PRE-DRILLED WITH CENTER HOLES.
INSTALLER MUST DRILL RAIL AND BASE AS REQUIRED ON SITE
FOR NON-CORROSIVE DOWEL PINS. (BY INSTALLER)



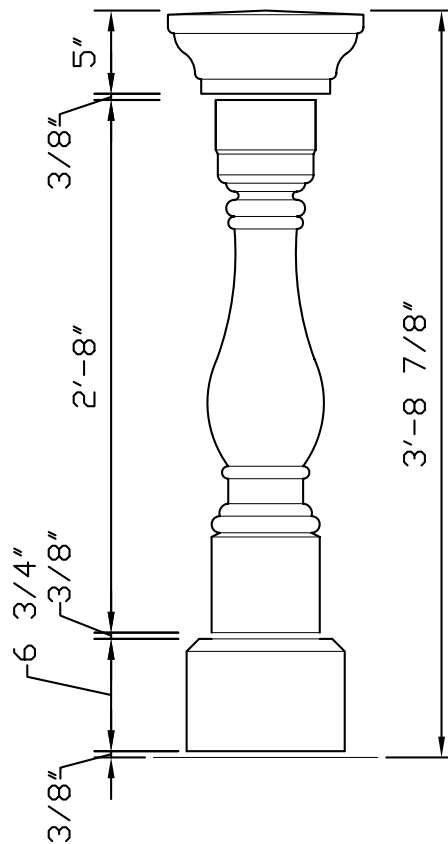
4280 WAYSIDE COURT LILBURN, GA. 30047. (770)921-9788. FAX 921-9910

BALUSTER SYSTEM

BL-107



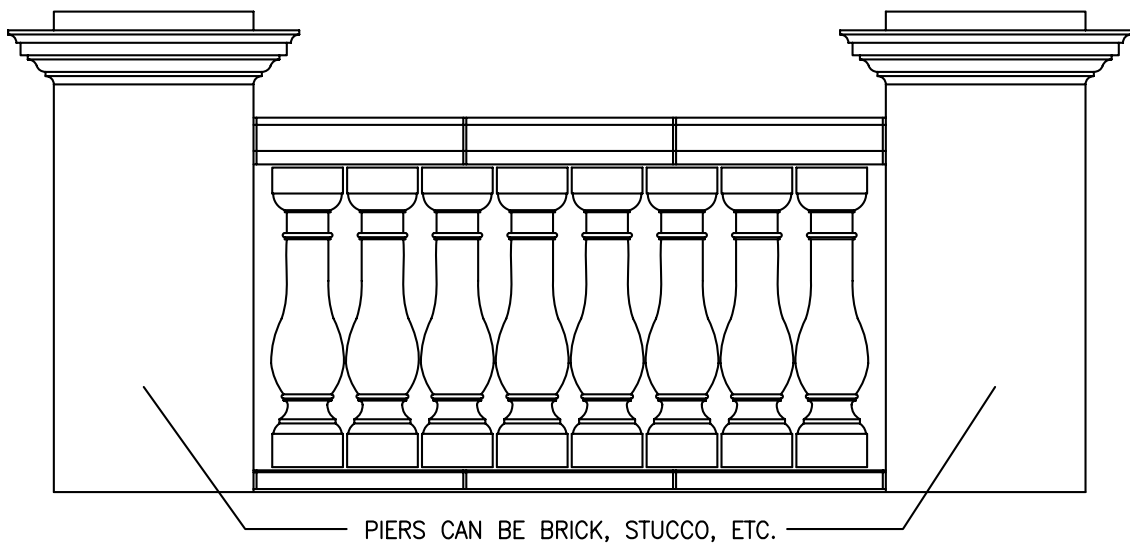
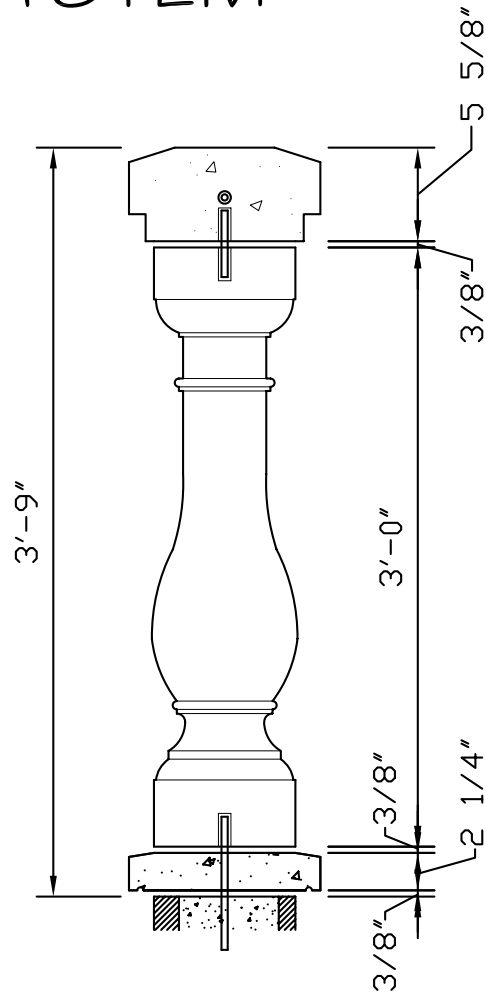
BL-107



ALL PIERS ARRIVE AS 3 PIECES AND MUST BE ASSEMBLED.
 BALUSTERS ARE PRE-DRILLED WITH CENTER HOLES.
 INSTALLER MUST DRILL RAIL AND BASE AS REQUIRED ON SITE
 FOR NON-CORROSIVE DOWEL PINS. (BY INSTALLER)

4280 WAYSIDE COURT LILBURN, GA. 30047. (770)921-9788. FAX 921-9910

BALUSTER SYSTEM BL-600



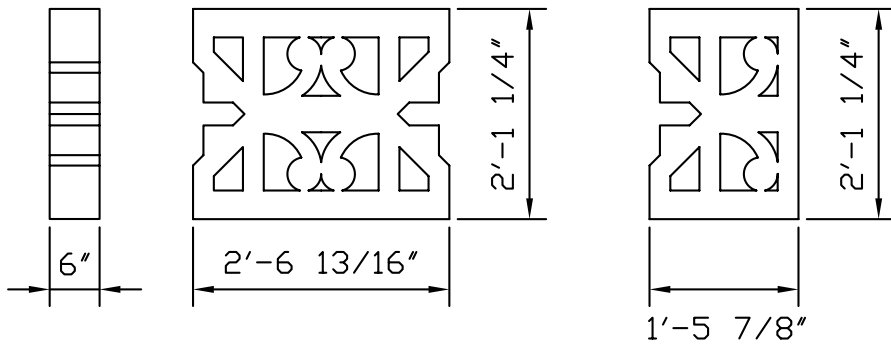
BL-600

ALL PIERS ARRIVE AS 3 PIECES AND MUST BE ASSEMBLED.
BALUSTERS ARE PRE-DRILLED WITH CENTER HOLES.
INSTALLER MUST DRILL RAIL AND BASE AS REQUIRED ON SITE
FOR NON-CORROSIVE DOWEL PINS. (BY INSTALLER)



4280 WAYSIDE COURT LILBURN, GA. 30047. (770)921-9788. FAX 921-9910

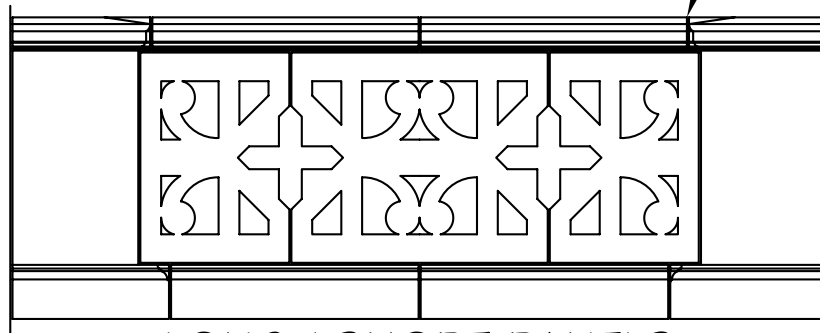
BALUSTER SCREEN WALL



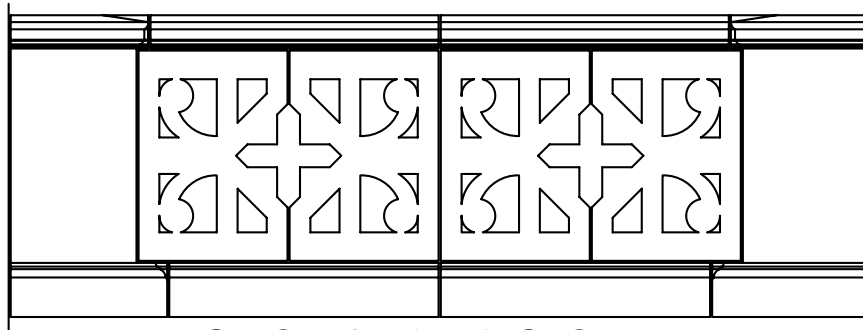
BL-101 & BL-102 SYSTEM PIERS WILL WORK WITH THIS SYSTEM. ALL OTHER SYSTEMS REQUIRE USE OF BRICK PIERS.

BR-650-LONG BR-650-SHORT

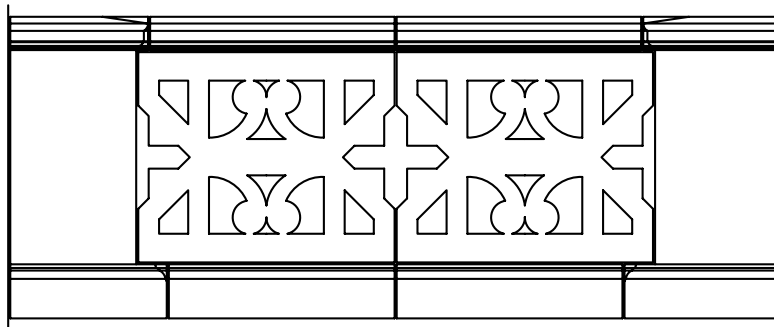
BALUSTRADE SYSTEM PER CUSTOMER REQUIREMENTS



LONG / SHORT PANELS



SHORT PANELS ONLY



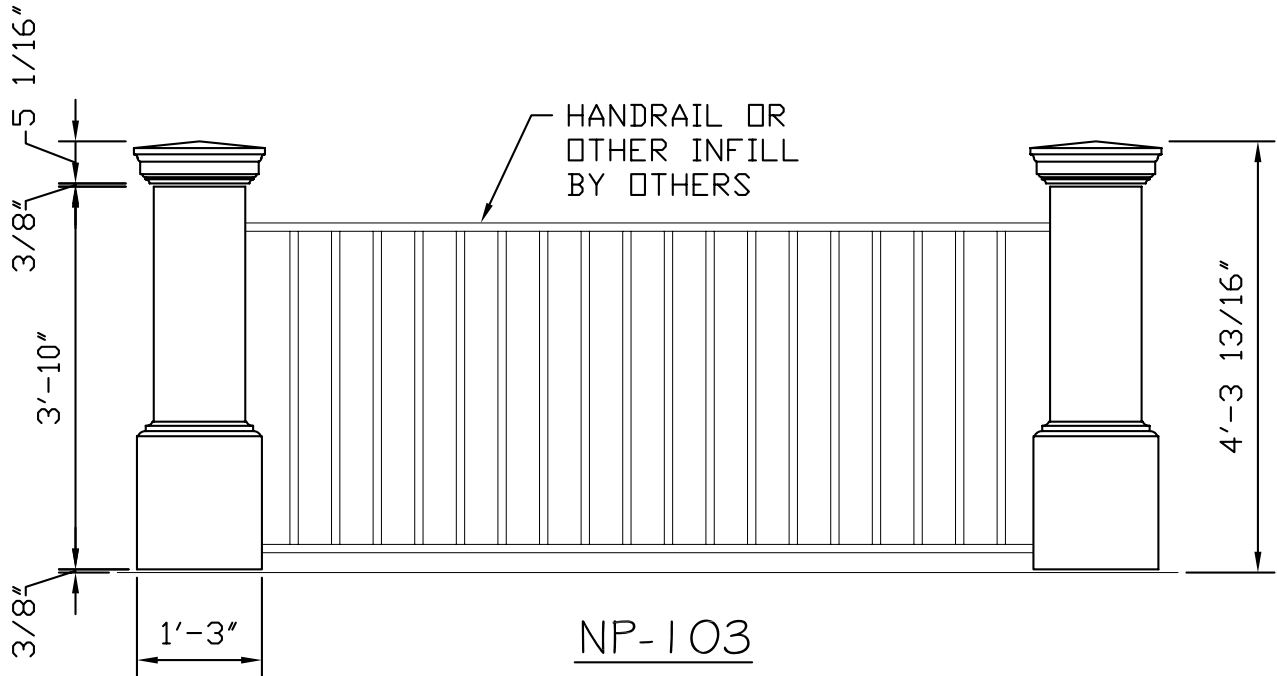
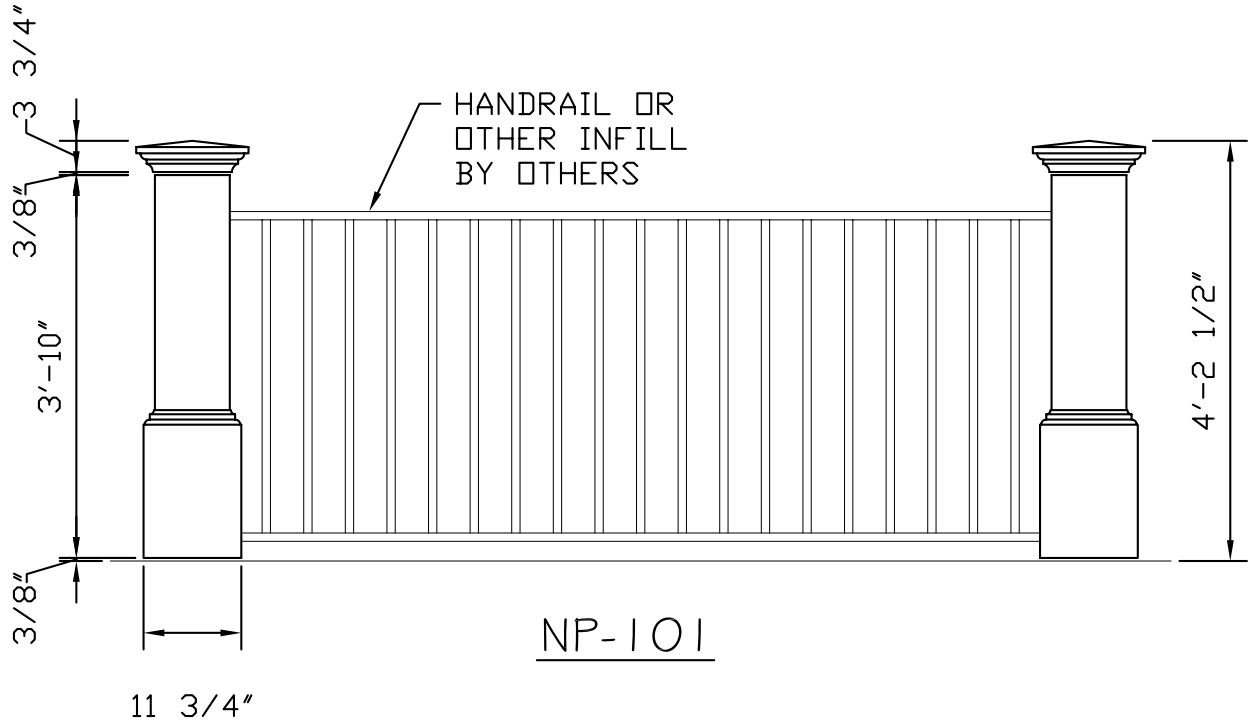
LONG PANELS ONLY



OLDE WORLD
CAST STONE

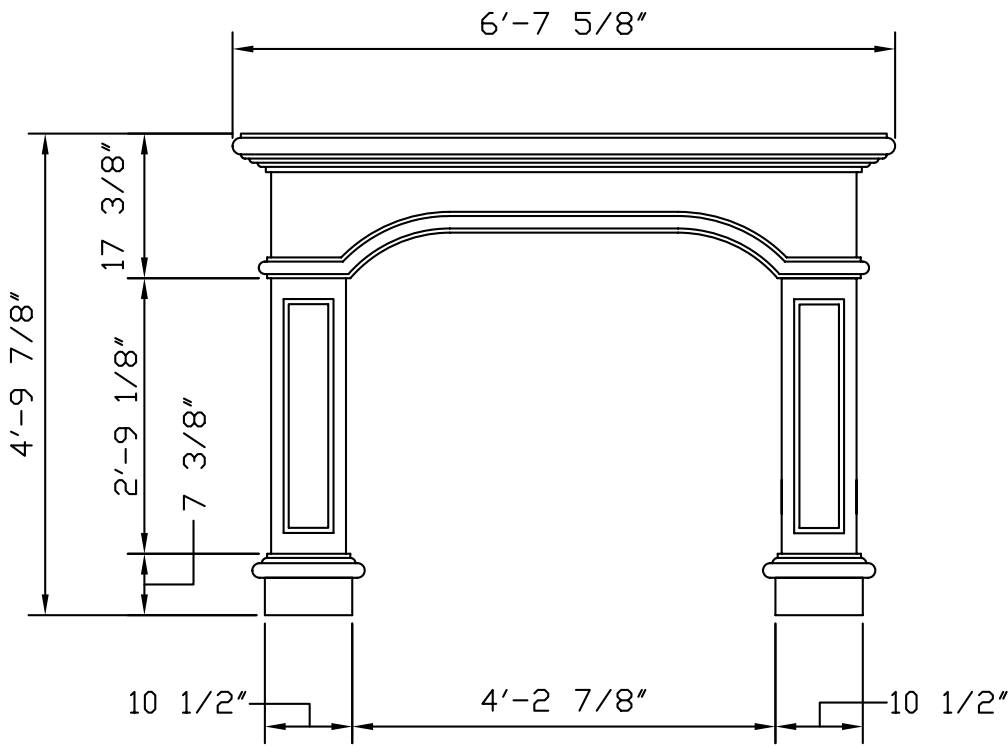
4280 WAYSIDE COURT LILBURN, GA. 30047. (770)921-9788. FAX 921-9910

NEWELL POSTS

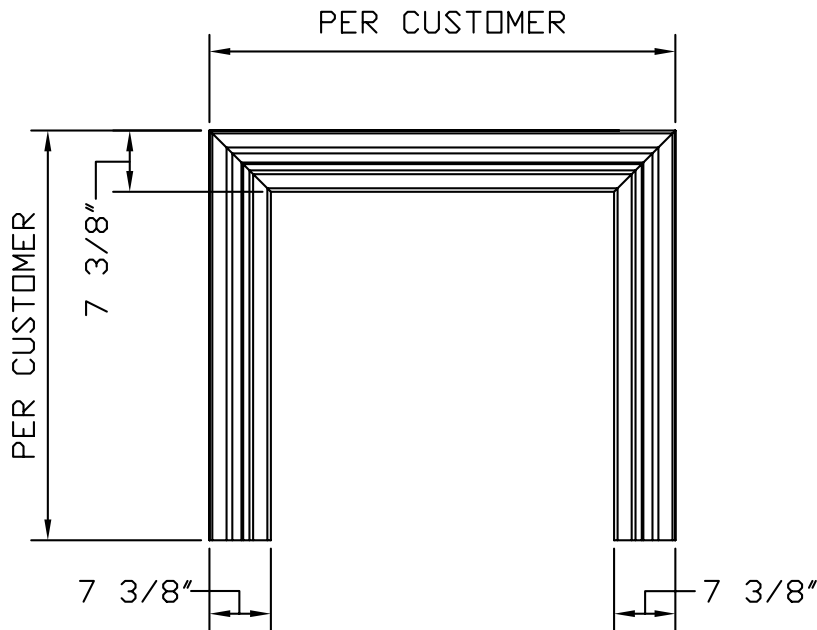
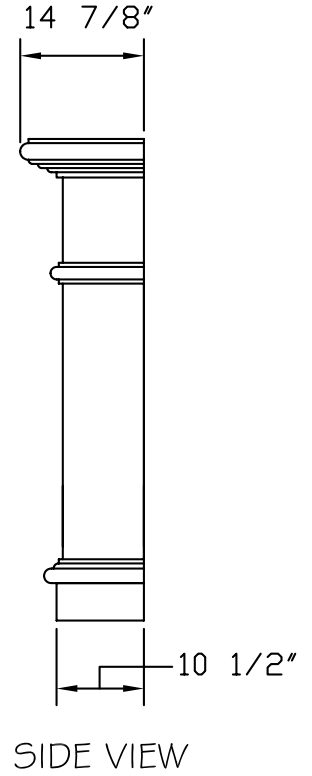


4280 WAYSIDE COURT LILBURN, GA. 30047. (770)921-9788. FAX 921-9910

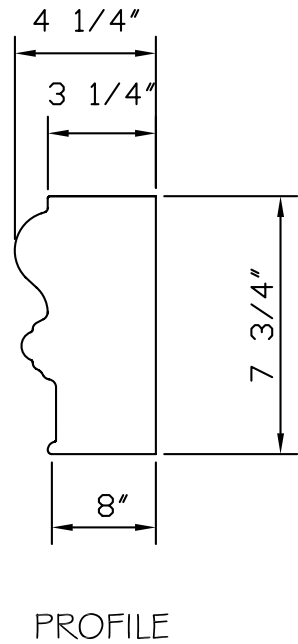
FIREPLACE UNITS



FP-101

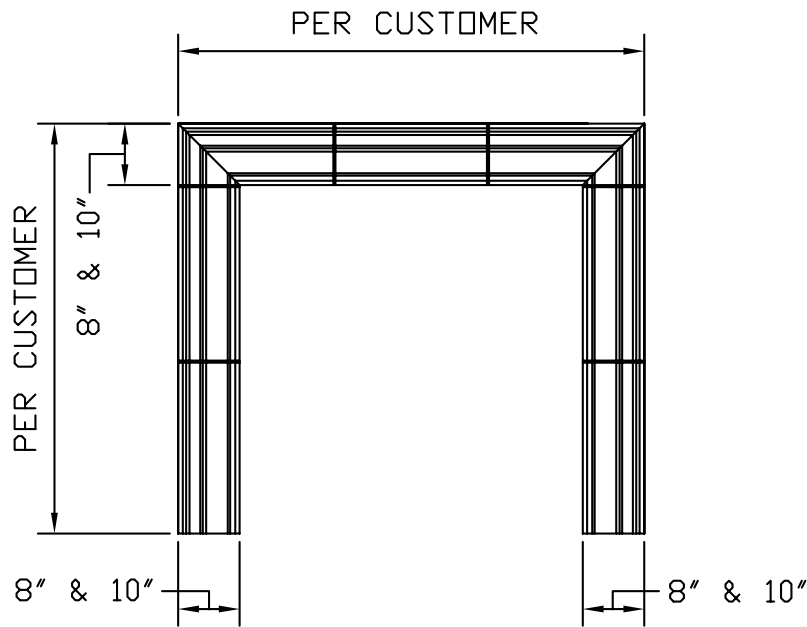


FP-102

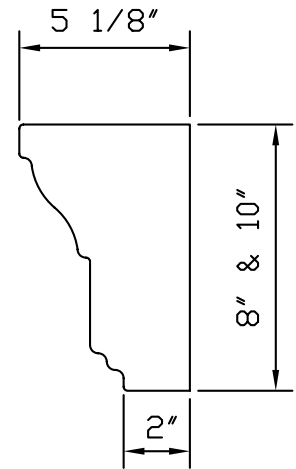


4280 WAYSIDE COURT LILBURN, GA. 30047. (770)921-9788. FAX 921-9910

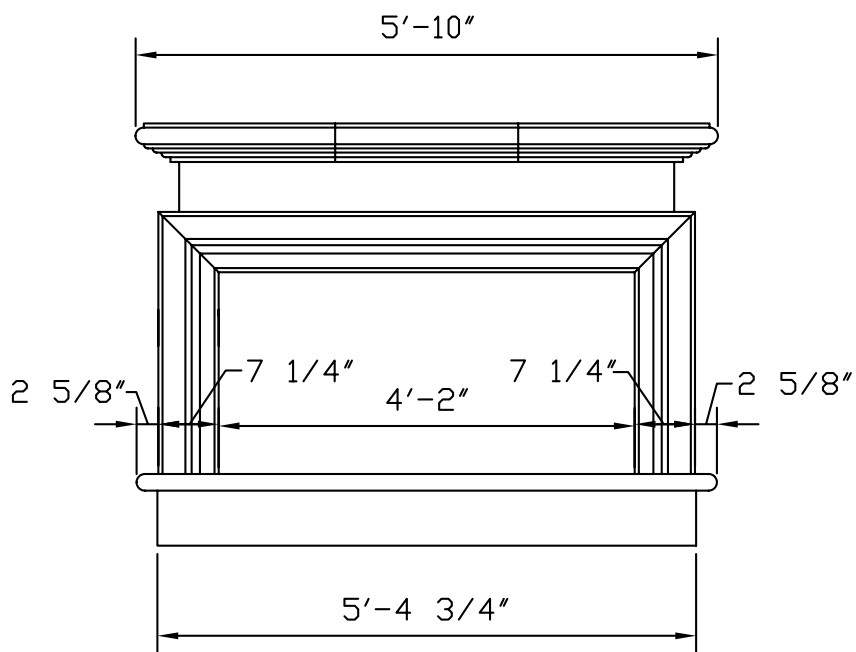
FIREPLACE UNITS



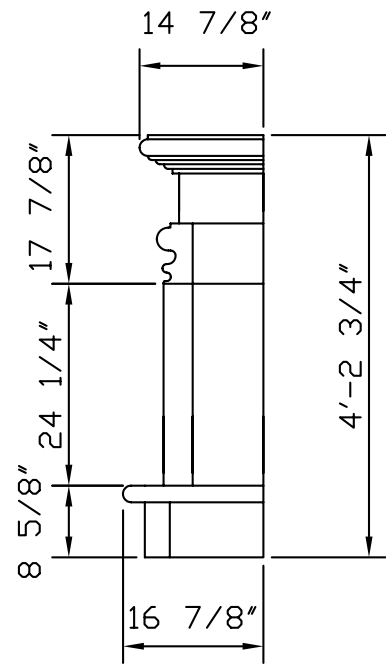
FP-103



PROFILE



FP-104

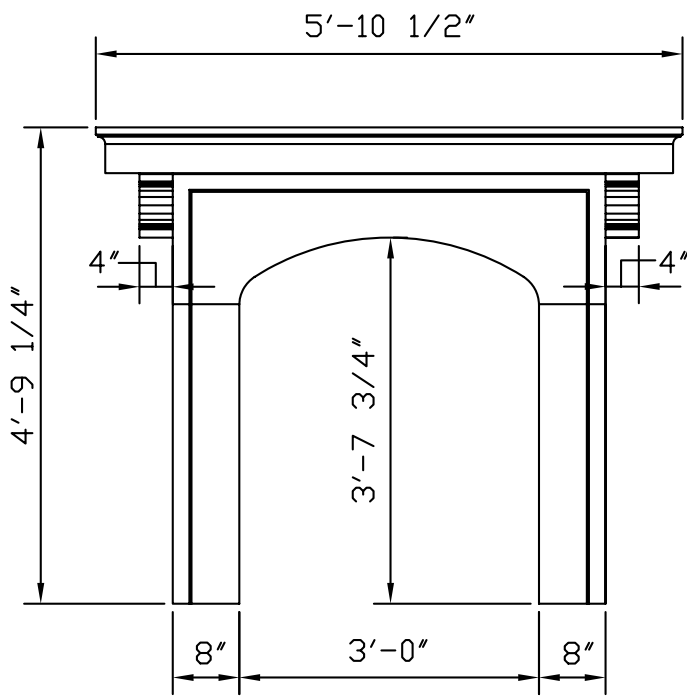


SIDE VIEW

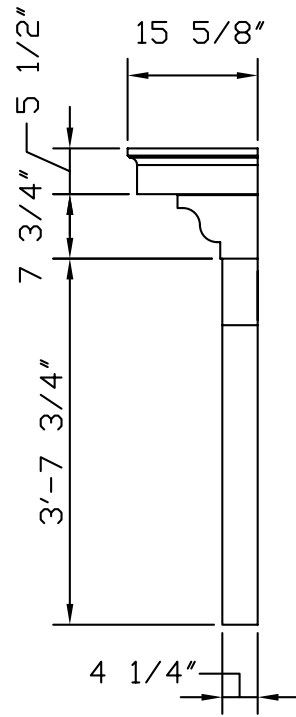


4280 WAYSIDE COURT LILBURN, GA. 30047. (770)921-9788. FAX 921-9910

FIREPLACE UNITS



FP-105

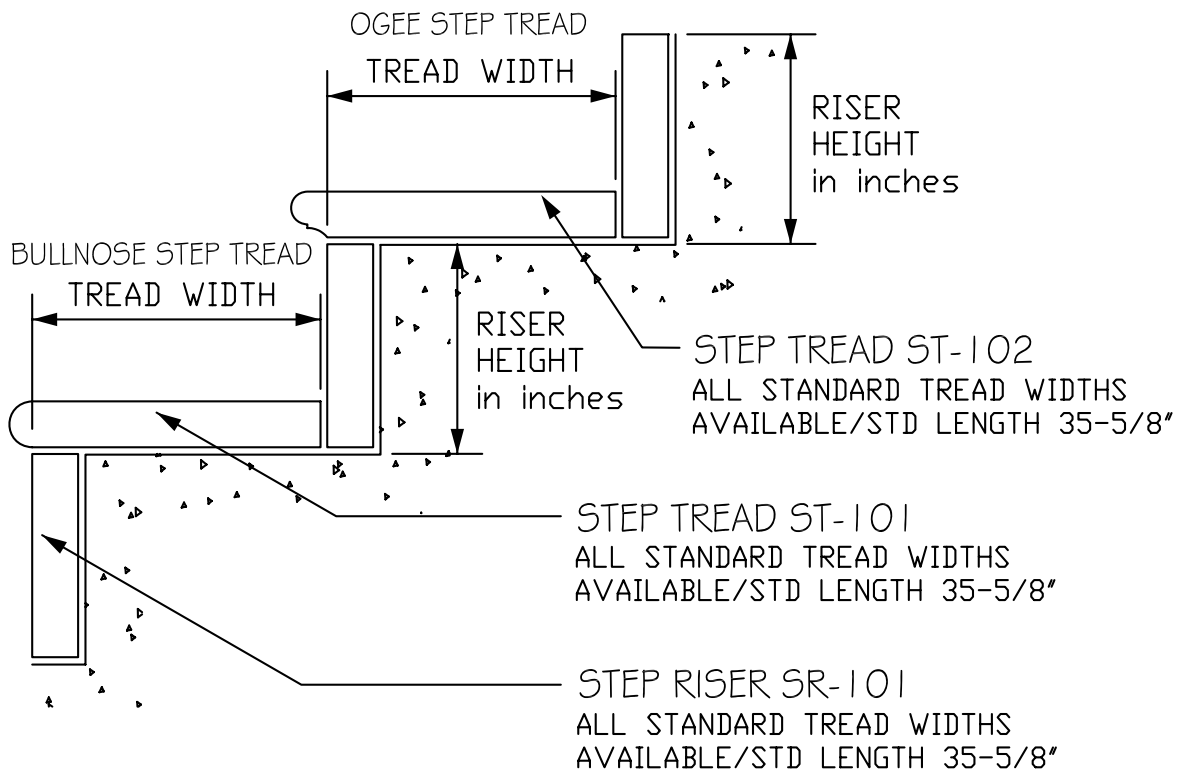


SIDE VIEW



4280 WAYSIDE COURT LILBURN, GA. 30047. (770)921-9788. FAX 921-9910

STEP TREAD AND RISER #ST-101 / ST-102



NOTE: ALL PIECES STANDARD
35-5/8" LENGTH, CUSTOM
LENGTHS AVAILABLE. PLEASE
CONTACT O.W.C.S. FOR PRICES
& DESIGN ASSISTANCE

NOTE: ALL STEP TREADS STANDARD
2" THICKNESS. STEP TREADS
ALSO AVAILABLE IN RADIUS
PIECES AS A SPECIAL ORDER

NOTE: LEFT & RIGHT RETURN ARE
DETERMINED BY FACING STEP
IN FRONT OF RISING ELEVATIONS

NOTE: MULTIPLE ASSORTMENT OF RADIUS AND CUSTOM TREADS
ARE AVAILABLE, PLEASE CALL FOR ASSISTANCE?



4280 WAYSIDE COURT LILBURN, GA. 30047. (770)921-9788. FAX 921-9910

STEP TREADS STRAIGHT ST-101



SINGLE BULLNOSE

MOLD

"L"

"W"

ST-101-1236

35 5/8"

12"

ST-101-1436

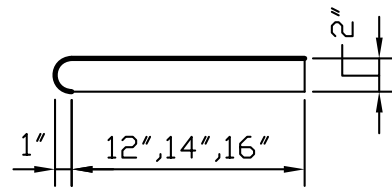
35 5/8"

14"

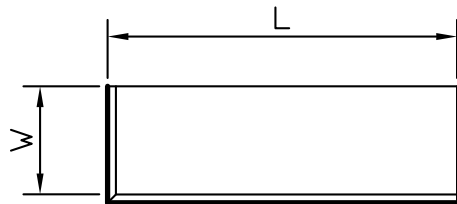
ST-101-1636

35 5/8"

16"



PROFILE



LEFT RETURNS

MOLD

"L"

"W"

ST-101-1236 LRT

35 5/8"

12"

ST-101-1436 LRT

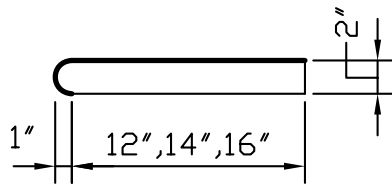
35 5/8"

14"

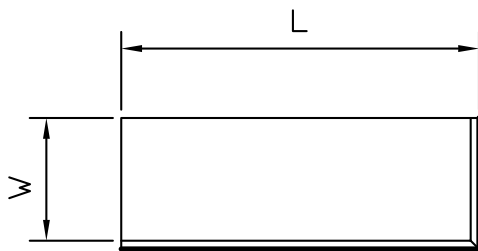
ST-101-1636 LRT

35 5/8"

16"



PROFILE



RIGHT RETURNS

MOLD

"L"

"W"

ST-101-1236 RRT

35 5/8"

12"

ST-101-1436 RRT

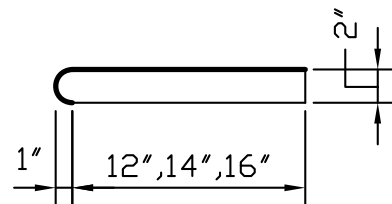
35 5/8"

14"

ST-101-1636 RRT

35 5/8"

16"

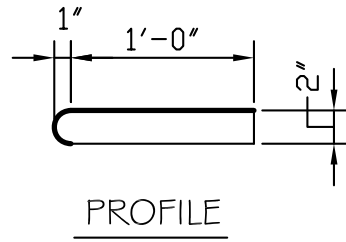
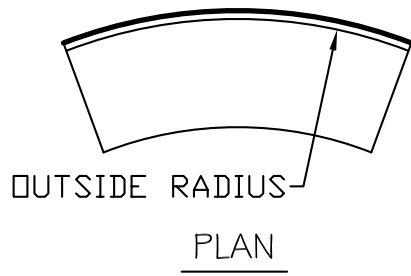


PROFILE



STEP TREADS

ST-101 OUTSIDE RADIUS

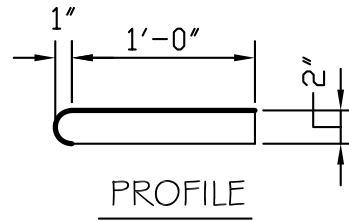
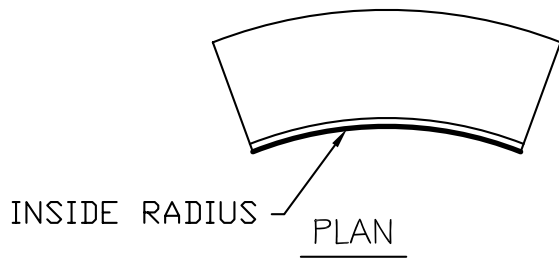


ST-101-1236	10 1/2"	ST-101-1236	10'-8"
ST-101-1236	1'-0"	ST-101-1236	10'-9"
ST-101-1236	1'-9 7/8"	ST-101-1236	11'-0"
ST-101-1236	2'-0"	ST-101-1236	12'-0"
ST-101-1236	2'-4"	ST-101-1236	12'-1"
ST-101-1236	2'-8"	ST-101-1236	13'-0"
ST-101-1236	2'-9 1/2"	ST-101-1236	14'-0"
ST-101-1236	3'-0"	ST-101-1236	15'-0"
ST-101-1236	3'-6"	ST-101-1236	16'-0"
ST-101-1236	3'-7 3/4"	ST-101-1236	17'-0"
ST-101-1236	3'-11"	ST-101-1236	18'-0"
ST-101-1236	4'-0"	ST-101-1236	19'-0"
ST-101-1236	5'-0"	ST-101-1236	20'-0"
ST-101-1236	5'-2"	ST-101-1236	23'-6"
ST-101-1236	5'-10"	ST-101-1236	24'-6"
ST-101-1236	6'-0"	ST-101-1236	25'-2"
ST-101-1236	6'-6"	ST-101-1236	25'-6"
ST-101-1236	6'-7"	ST-101-1236	27'-8"
ST-101-1236	7'-0"	ST-101-1236	29'-0 1/2"
ST-101-1236	7'-7"	ST-101-1236	30'-3"
ST-101-1236	7'-9 1/2"	ST-101-1236	34'-0"
ST-101-1236	8'-0"	ST-101-1236	35'-4"
ST-101-1236	8'-6"	ST-101-1236	36'-8"
ST-101-1236	8'-7"		
ST-101-1236	9'-0"		
ST-101-1236	9'-4"		
ST-101-1236	10'-0"		



STEP TREADS

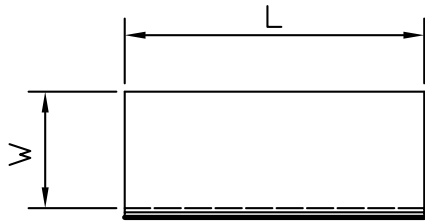
ST-101 INSIDE RADIUS



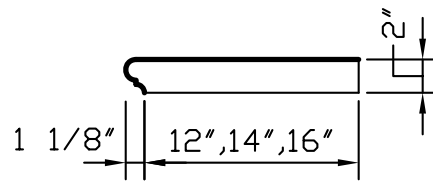
ST-101-1236	2'-0"	ST-101-1236	15'-8"
ST-101-1236	2'-3 1/2"	ST-101-1236	16'-0"
ST-101-1236	2'-6 5/8"	ST-101-1236	16'-8 1/4"
ST-101-1236	2'-10"	ST-101-1236	19'-0"
ST-101-1236	2'-11 3/4"	ST-101-1236	20'-0"
ST-101-1236	3'-2 1/2"	ST-101-1236	20'-9"
ST-101-1236	3'-5 1/2"	ST-101-1236	29'-0"
ST-101-1236	3'-6"	ST-101-1236	33'-0 1/2"
ST-101-1236	5'-0"	ST-101-1236	46'-0 1/2"
ST-101-1236	6'-0"	ST-101-1236	47'-0"
ST-101-1236	6'-0 1/2"		
ST-101-1236	6'-8"		
ST-101-1236	6'-8 7/8"		
ST-101-1236	6'-11"		
ST-101-1236	7'-0"		
ST-101-1236	7'-6"		
ST-101-1236	8'-0"		
ST-101-1236	8'-3 1/2"		
ST-101-1236	9'-0"		
ST-101-1236	9'-10"		
ST-101-1236	10'-0"		
ST-101-1236	11'-0"		
ST-101-1236	11'-8 1/2"		
ST-101-1236	12'-7"		
ST-101-1236	13'-0"		
ST-101-1236	14'-0"		
ST-101-1236	14'-6"		



STEP TREADS STRAIGHT ST-102



SINGLE PROFILE



PROFILE

MOLD

"L"

"W"

ST-102-1236

35 5/8"

12"

ST-102-1436

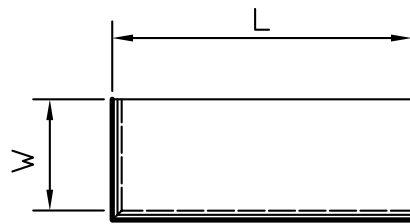
35 5/8"

14"

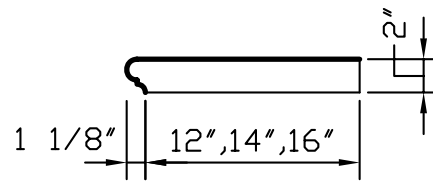
ST-102-1636

35 5/8"

16"



LEFT RETURN



PROFILE

MOLD

"L"

"W"

ST-102-1236

35 5/8"

12"

ST-102-1436

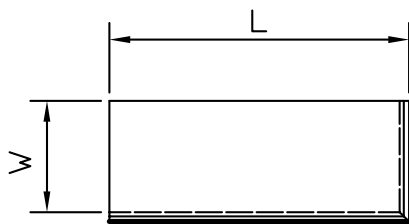
35 5/8"

14"

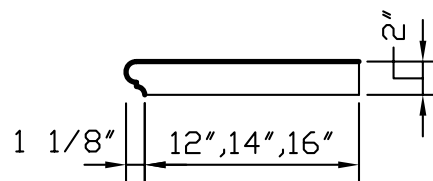
ST-102-1636

35 5/8"

16"



RIGHT RETURN



PROFILE

MOLD

"L"

"W"

ST-102-1236

35 5/8"

12"

ST-102-1436

35 5/8"

14"

ST-102-1636

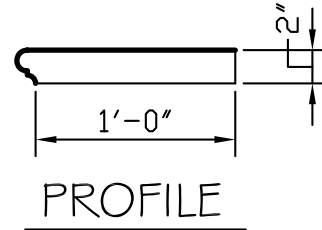
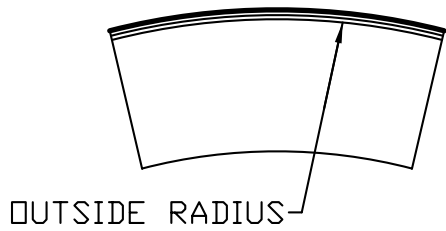
35 5/8"

16"



STEP TREADS

ST-102 OUTSIDE RADIUS

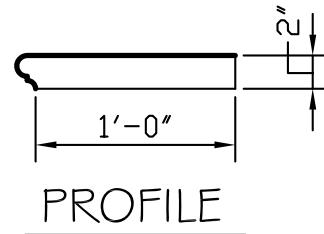
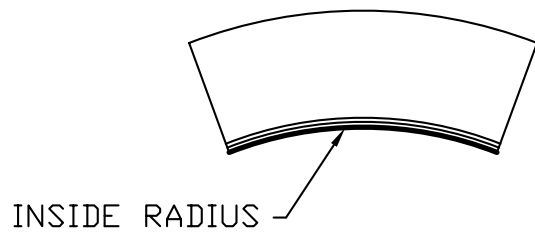


ST-102-1236	2'-8"
ST-102-1236	4'-10"
ST-102-1236	6'-7"
ST-102-1236	7'-4"
ST-102-1236	7'-6"
ST-102-1236	7'-7"
ST-102-1236	8'-4"
ST-102-1236	9'-6 1/2"
ST-102-1236	10'-0"
ST-102-1236	10'-3"
ST-105-1236	16'-0"
ST-102-1236	19'-6"
ST-102-1236	20'-6"
ST-102-1236	21'-10"
ST-102-1236	29'-0"
ST-102-1236	30'-10"
ST-102-1236	53'-8"



STEP TREADS

ST-102 INSIDE RADIUS

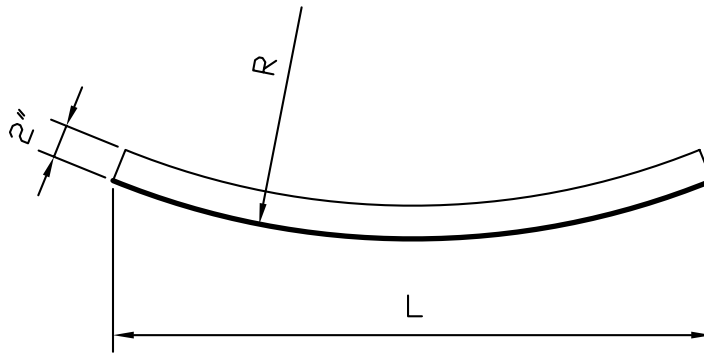


ST-102-1236	2'-11 1/4"
ST-102-1236	3'-1"
ST-102-1236	3'-2 3/4"
ST-102-1236	3'-5 1/2"
ST-102-1236	5'-6"
ST-102-1236	6'-1 5/8"
ST-102-1236	7'-0"
ST-102-1236	19'-0"
ST-102-1236	56'-0"



4280 WAYSIDE COURT LILBURN, GA. 30047. (770)921-9788. FAX 921-9910

RADIUS RISERS



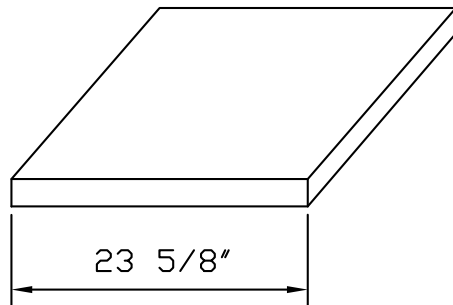
PLAN VIEW

<u>MOLD</u>	"L"	"R"	"H"
SR-101-0636	35 3/4"	96"	6"
SR-101-0636	35 5/8"	112"	6"
SR-101-0636	35 3/4"	144"	6"
SR-101-0636	35 7/8"	180"	6"
SR-101-0636	35 3/4"	204"	6"
SR-101-0636	35 7/8"	216"	6"
SR-101-6.536	34 7/8"	48"	6 1/2"
SR-101-6.536	35 1/8"	60"	6 1/2"
SR-101-0736	36"	246"	7"
SR-101-R1	35 1/2"	168"	7"
SR-101-R2	35 1/2"	156"	7"
SR-101-R3	35 7/8"	144"	7"
SR-601	21 7/8"	8 15/16"	5 5/8"

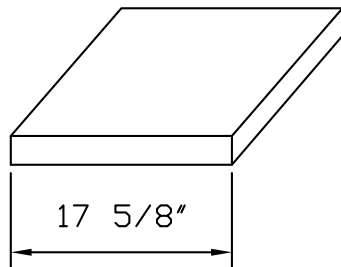


FLOOR PAVERS

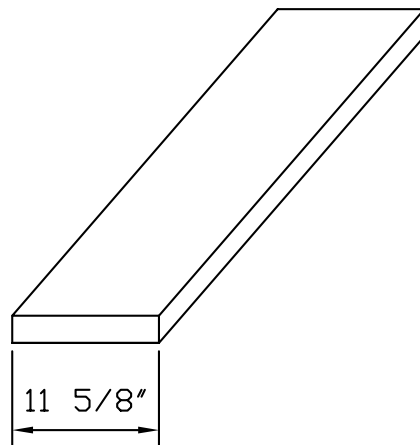
NOTE: ALL PIECES STANDARD THICKNESS OF 2"



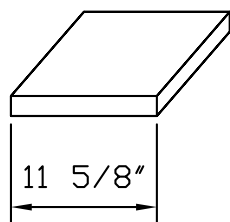
PV-101-S-2424
SQUARE PAVING UNIT
FOR 24" MODULE



PV-101-S-1818
SQUARE PAVING UNIT
FOR 18" MODULE



PV 102 *S
RECTANGULAR PAVING UNIT
FOR MODULE SIZE SHOWN IN
DIMENSION TO MATCH ALL
PAVING UNITS

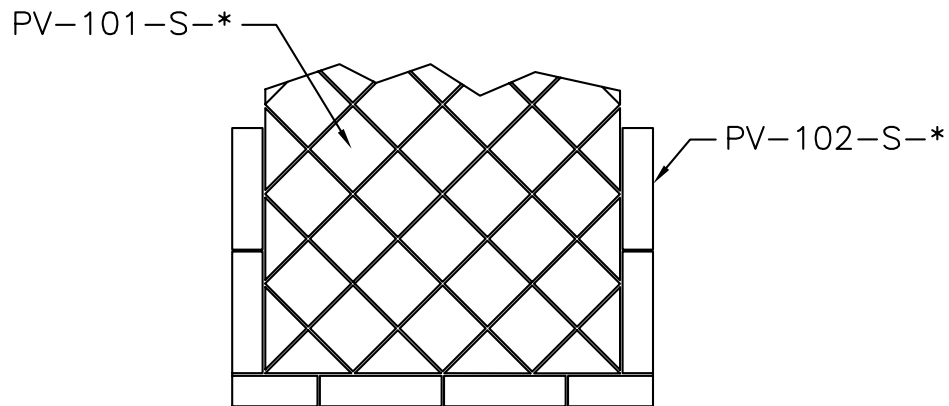


PV-101-S-1212
SQUARE PAVING UNIT
FOR 12" MODULE



4280 WAYSIDE COURT LILBURN, GA. 30047. (770)921-9788. FAX 921-9910

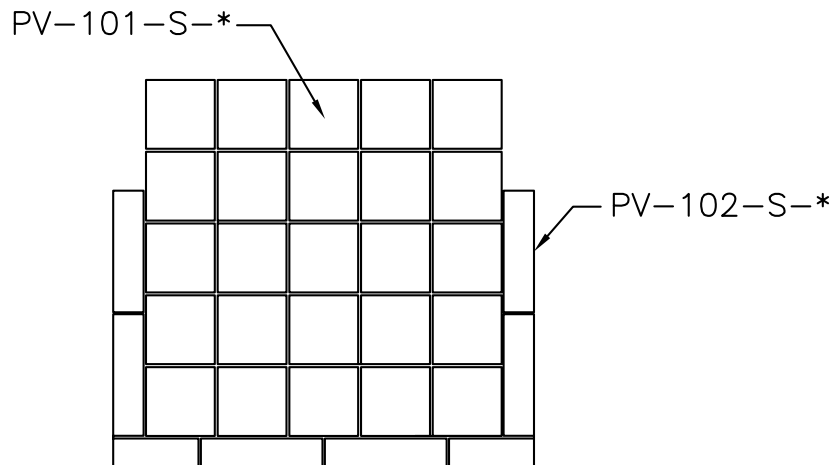
FLOOR PATTERNS



PATTERN-A

SQUARE CAST STONE PAVING
UNITS SET ON DIAGONAL WITH
RECTANGULAR BANDING

SIZES AVAILABLE TO MEET
DESIGNER SPECIFICATIONS.
SEE CAST STONE PAVING
UNIT SHEET FOR SIZES AND
ORDERING INFORMATION



PATTERN-B

SQUARE CAST STONE PAVING
UNITS SET ON PARALLEL WITH
RECTANGULAR BANDING

SIZES AVAILABLE TO MEET
DESIGNER SPECIFICATIONS.
SEE CAST STONE PAVING
UNIT SHEET FOR SIZES AND
ORDERING INFORMATION

